

US00D759872S

(12) **United States Design Patent**
Castagna

(10) **Patent No.:** **US D759,872 S**
(45) **Date of Patent:** **** Jun. 21, 2016**

(54) **POLE LAMP**

(71) Applicant: **Matthew I Castagna**, Littleton, CO
(US)

(72) Inventor: **Matthew I Castagna**, Littleton, CO
(US)

(**) Term: **14 Years**

(21) Appl. No.: **29/525,312**

(22) Filed: **Apr. 28, 2015**

(51) **LOC (10) Cl.** **26-05**

(52) **U.S. Cl.**
USPC **D26/69**

(58) **Field of Classification Search**
USPC D26/60, 63, 67-70
CPC F21V 3/0445; F21V 21/0824; F21S 6/005;
F21S 6/0032; F21S 8/081; F21S 8/083;
F21S 8/085; F21S 8/088; F21W 2131/103;
F21W 2131/109

See application file for complete search history.

(56) **References Cited**

U.S. PATENT DOCUMENTS

D42,688 S * 7/1912 Grelle D26/68
D43,344 S * 12/1912 Spear D26/67

D44,055 S * 5/1913 Colburn D26/69
D60,735 S * 3/1922 Rogers D10/113.2
D85,688 S * 12/1931 De Vos D26/68
D125,314 S * 2/1941 Proulx 362/219
D224,558 S * 8/1972 Selden D25/127
D236,653 S * 9/1975 Stewart D26/104
D313,667 S * 1/1991 Horne D26/69
D372,320 S * 7/1996 Brady D20/41
D579,146 S * 10/2008 Tramble D26/144
D589,194 S * 3/2009 Sabernig D26/104
D589,195 S * 3/2009 Sabernig D26/69
D594,589 S * 6/2009 Castagna D26/94
D597,700 S * 8/2009 Sabernig D26/69

* cited by examiner

Primary Examiner — Clare E Heflin

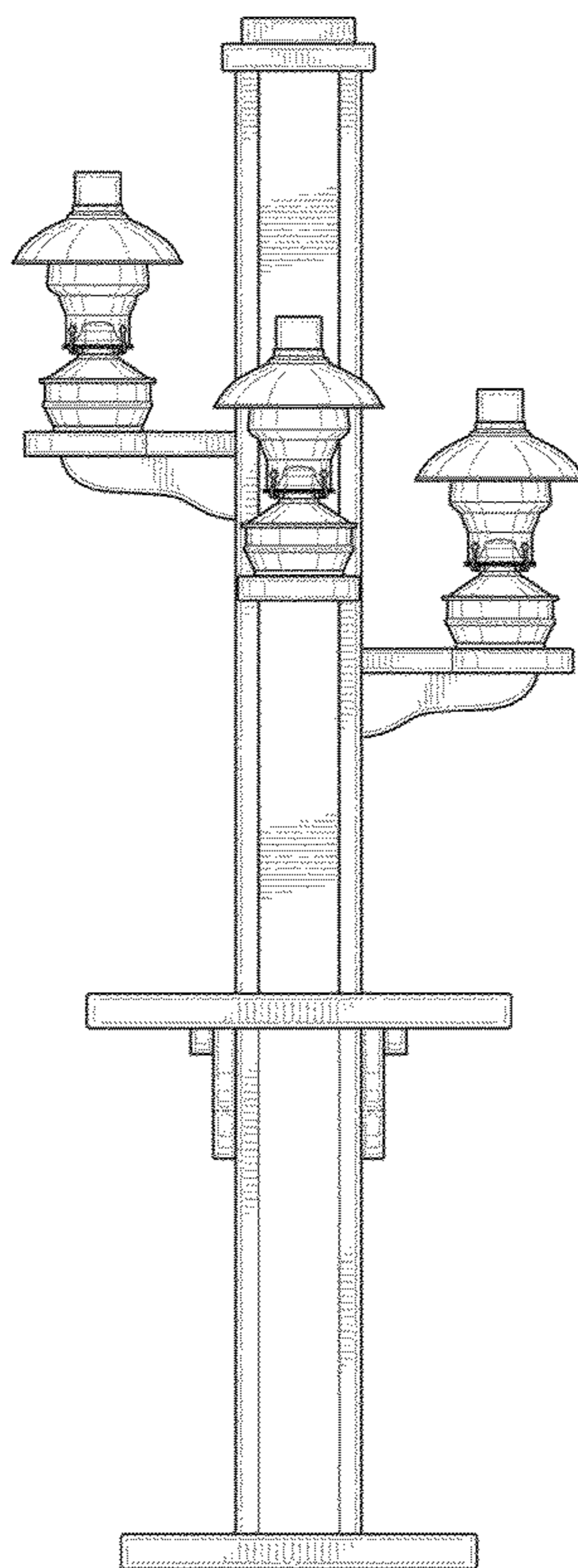
(57) **CLAIM**

The ornamental design for a pole lamp, as shown and described.

DESCRIPTION

FIG. 1 is a front view of a pole lamp showing the new design;
FIG. 2 is a back view thereof;
FIG. 3 is a right side view thereof;
FIG. 4 is a left side view thereof;
FIG. 5 is a top view thereof; and,
FIG. 6 is a bottom view thereof.

1 Claim, 5 Drawing Sheets



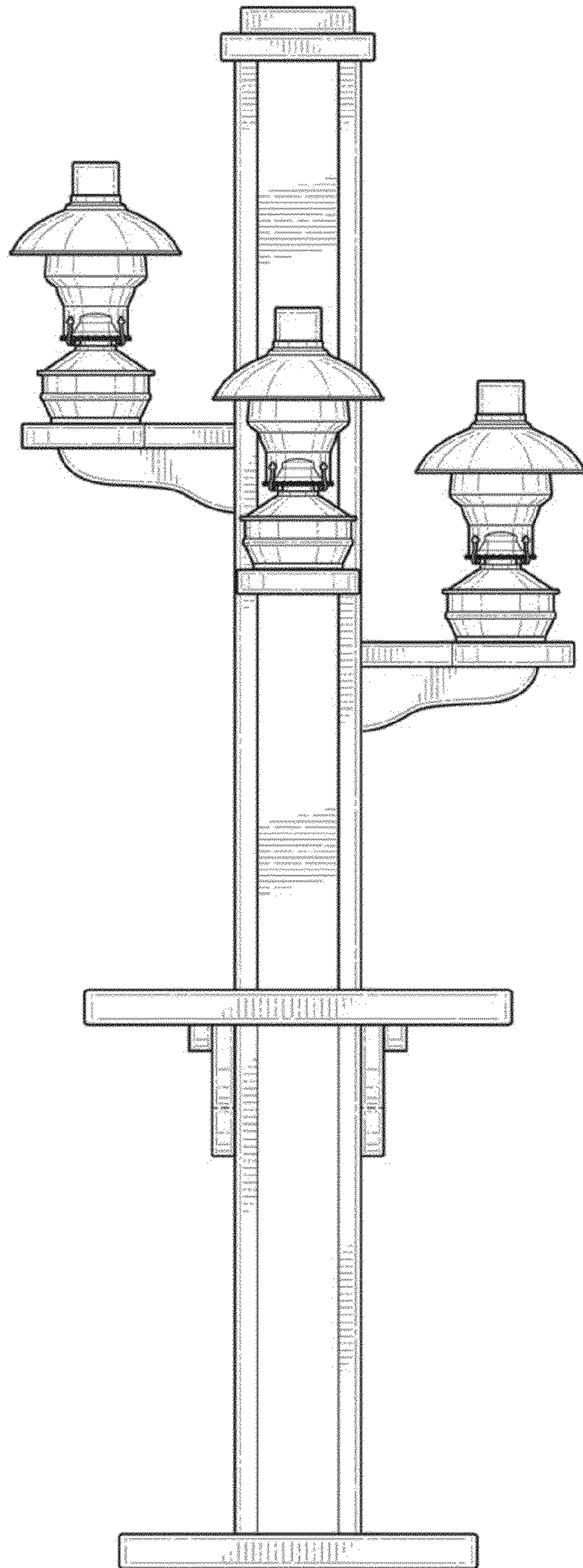


FIG. 1

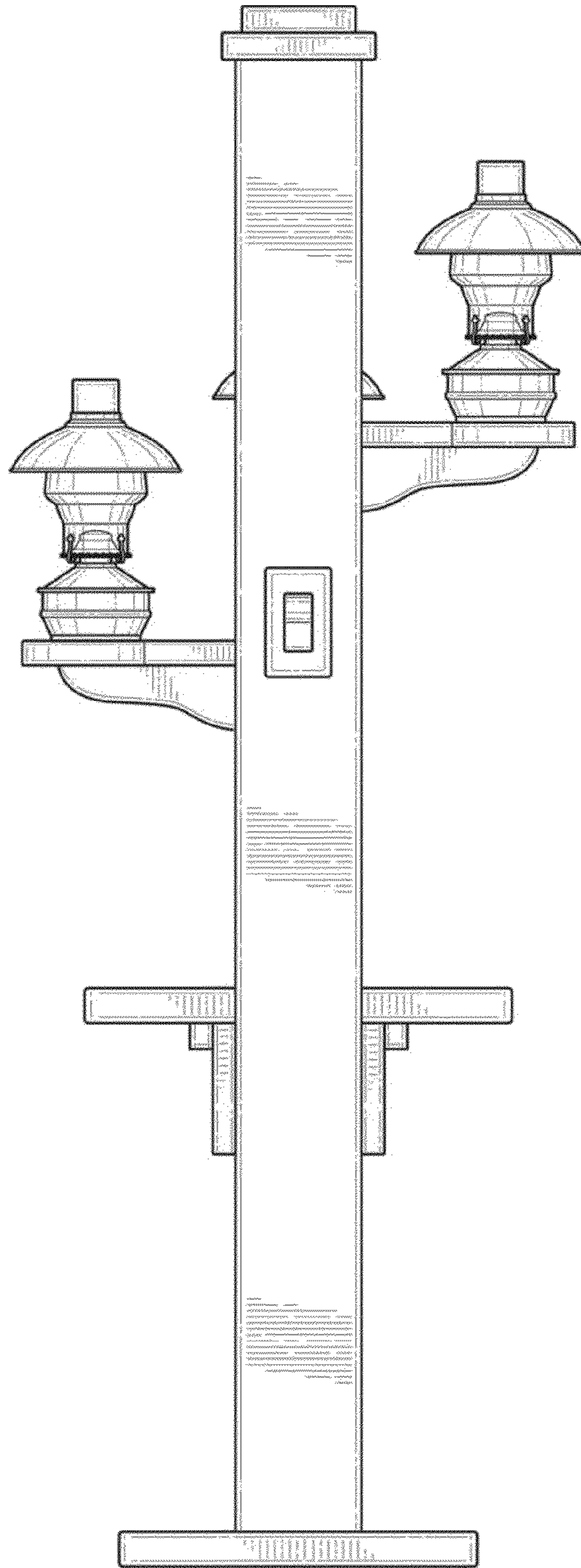


FIG. 2

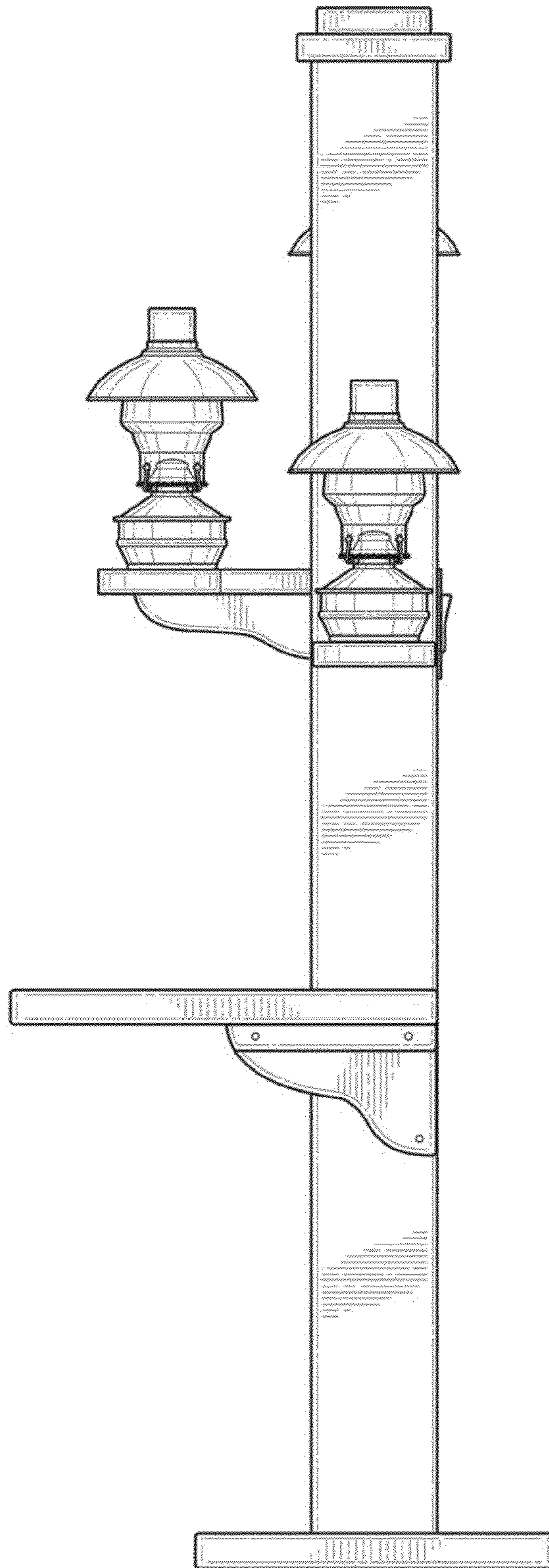


FIG. 3

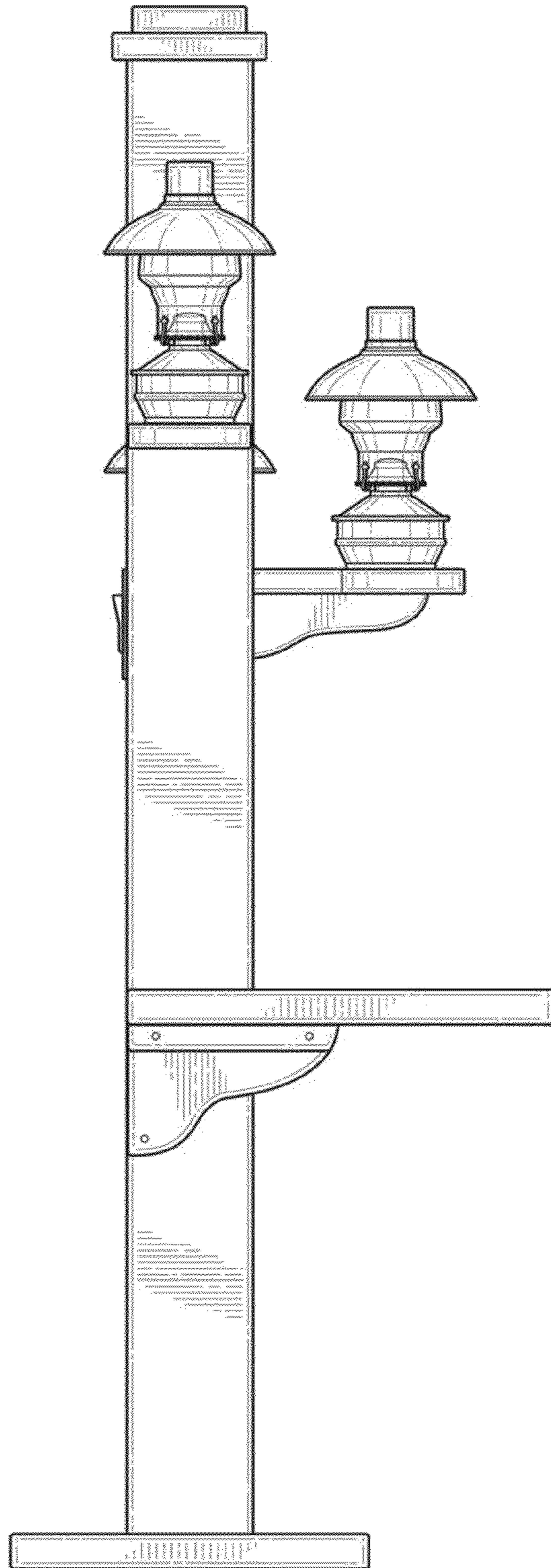


FIG. 4

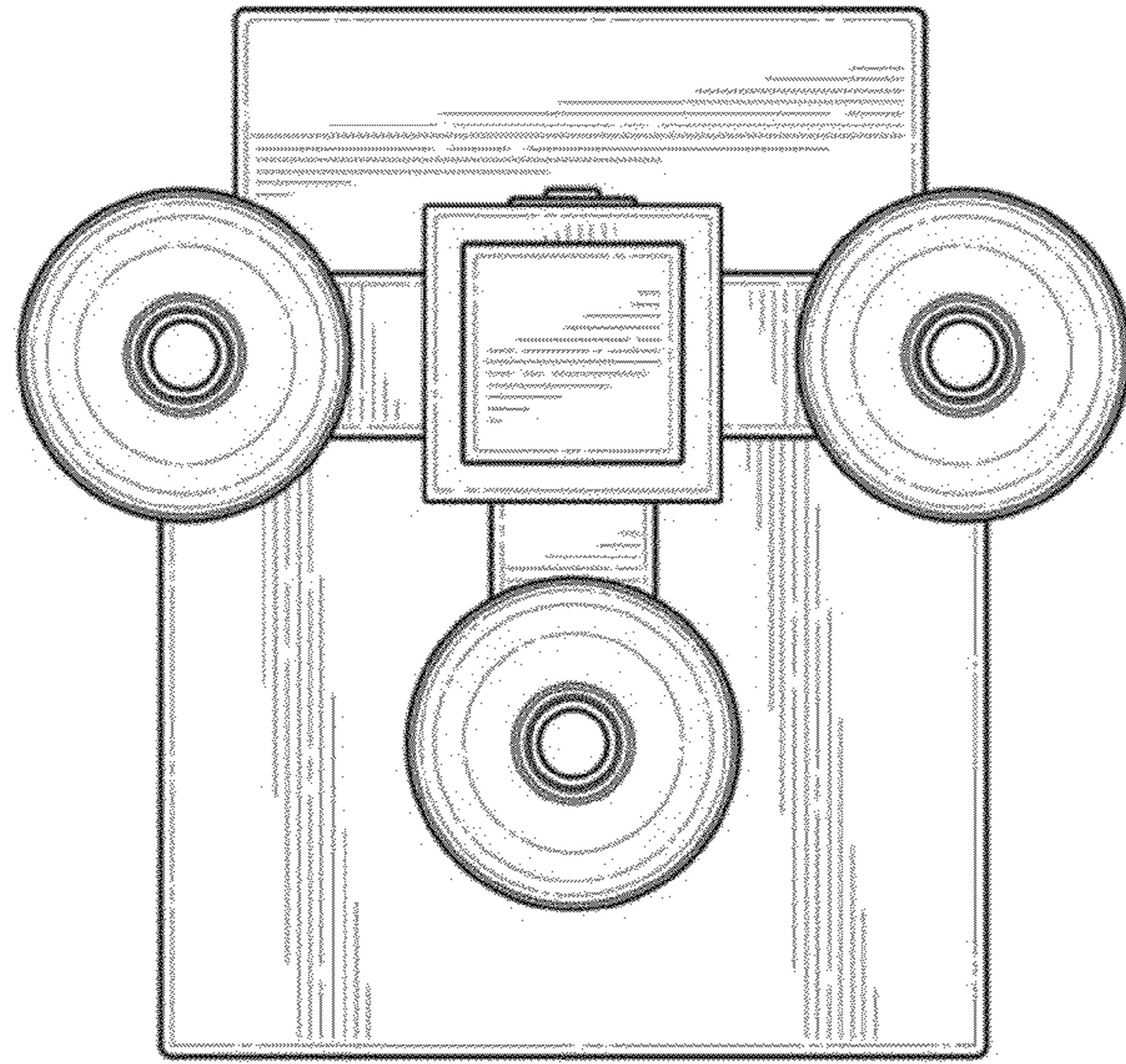


FIG. 5

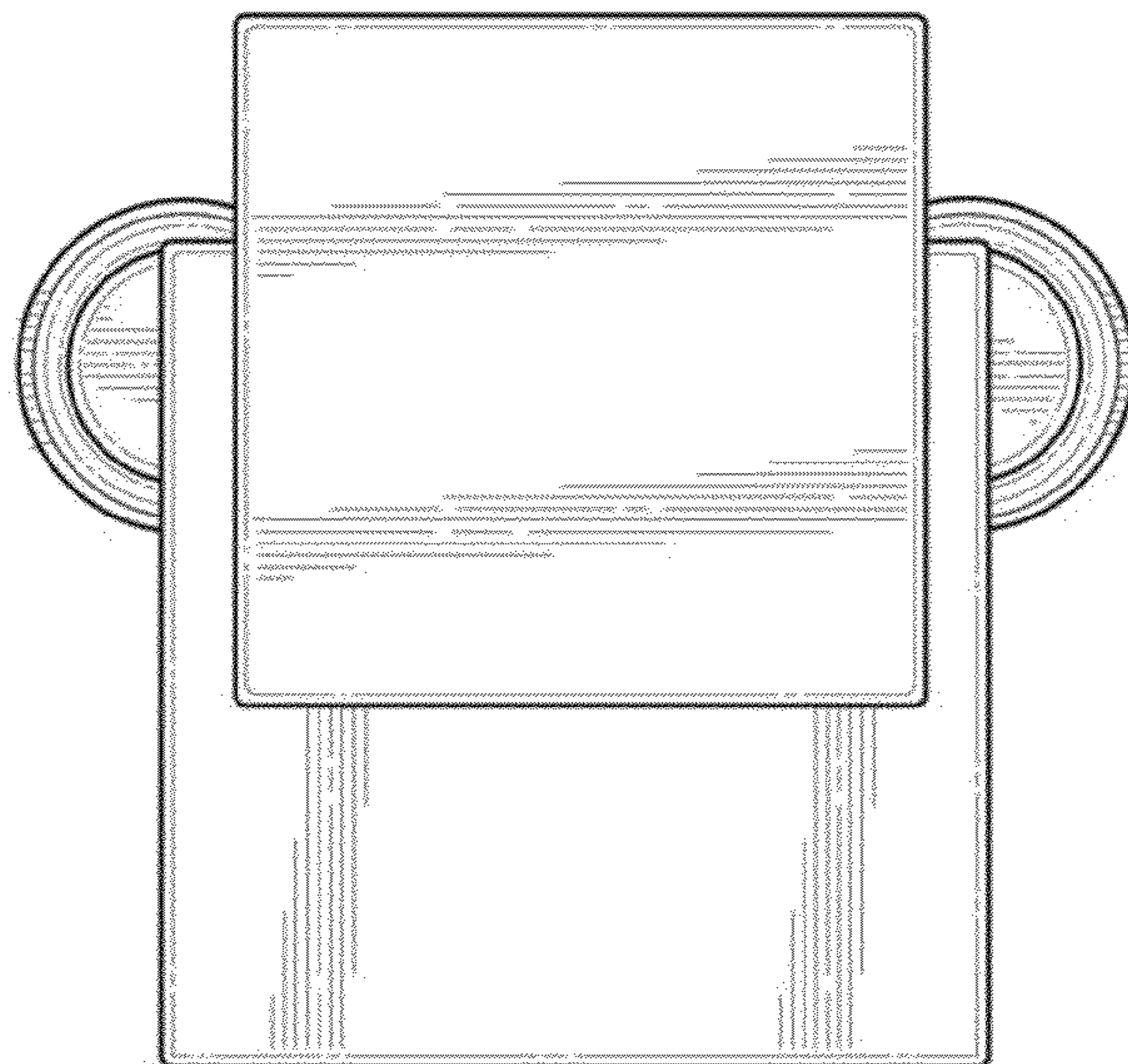


FIG. 6