



US00D759871S

(12) **United States Design Patent**  
**Consuegra**

(10) **Patent No.:** **US D759,871 S**  
(45) **Date of Patent:** **\*\* Jun. 21, 2016**

(54) **STAGE LAMP**

(71) Applicant: **Manuel José Consuegra**, Miami, FL  
(US)

(72) Inventor: **Manuel José Consuegra**, Miami, FL  
(US)

(73) Assignee: **Manuel José Consuegra**, Miami, FL  
(US)

(\*\*) Term: **14 Years**

(21) Appl. No.: **29/502,025**

(22) Filed: **Sep. 29, 2014**

(51) **LOC (10) Cl.** ..... **26-03**

(52) **U.S. Cl.**  
USPC ..... **D26/63**

(58) **Field of Classification Search**  
USPC ..... D26/1, 24, 61, 63, 65, 85, 92, 104  
CPC ..... F21V 21/14; F21V 15/01; F21V 14/02;  
F21V 21/30; F21V 21/00; F21V 14/00;  
F21S 8/00; F21S 8/003; F21S 8/043; F21Y  
2105/001

See application file for complete search history.

(56) **References Cited**

U.S. PATENT DOCUMENTS

D257,743 S *	12/1980	Tedesco .....	D26/104
D397,234 S *	8/1998	Huang .....	D26/63
D623,331 S *	9/2010	Rotwitt .....	D26/63
D738,024 S *	9/2015	Messiaen .....	D26/63

\* cited by examiner

*Primary Examiner* — Brian N Vinson

(57) **CLAIM**

The ornamental design for a stage lamp, as shown and described.

**DESCRIPTION**

FIG. 1 is perspective view of a stage lamp showing my new design.

FIG. 2 is a right view thereof.

FIG. 3 is a front view thereof.

FIG. 4 is a left view thereof.

FIG. 5 is a back view thereof.

FIG. 6 is a top view thereof.

FIG. 7 is a bottom view thereof.

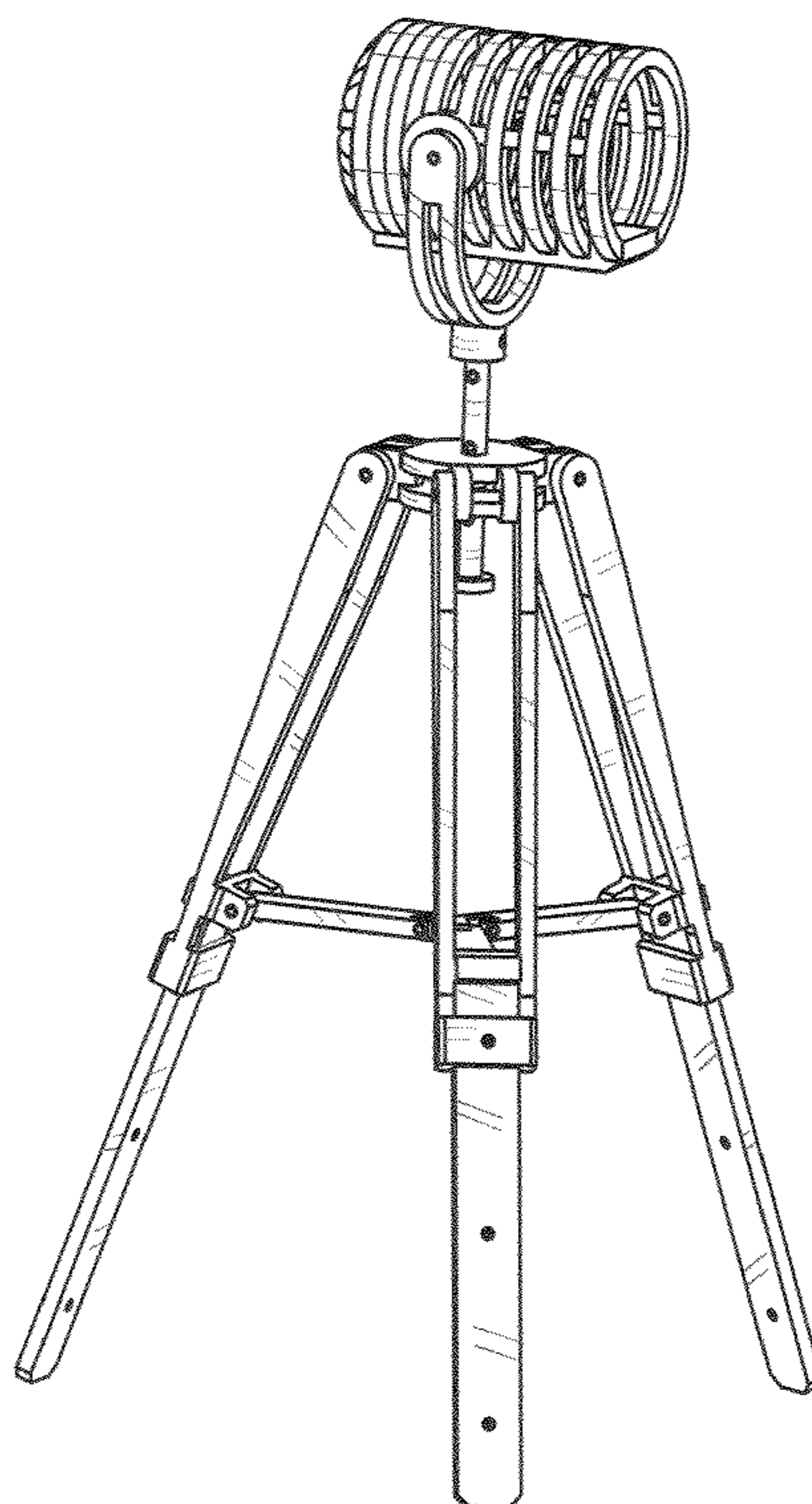
FIG. 8 is a perspective view showing a stage lamp in use.

FIG. 9 is a perspective view showing a stage lamp in another use.

FIG. 10 is a perspective view showing a stage lamp not in use; and,

FIG. 11 is a close up perspective view of the upper portion of a stage lamp in use.

**1 Claim, 10 Drawing Sheets**



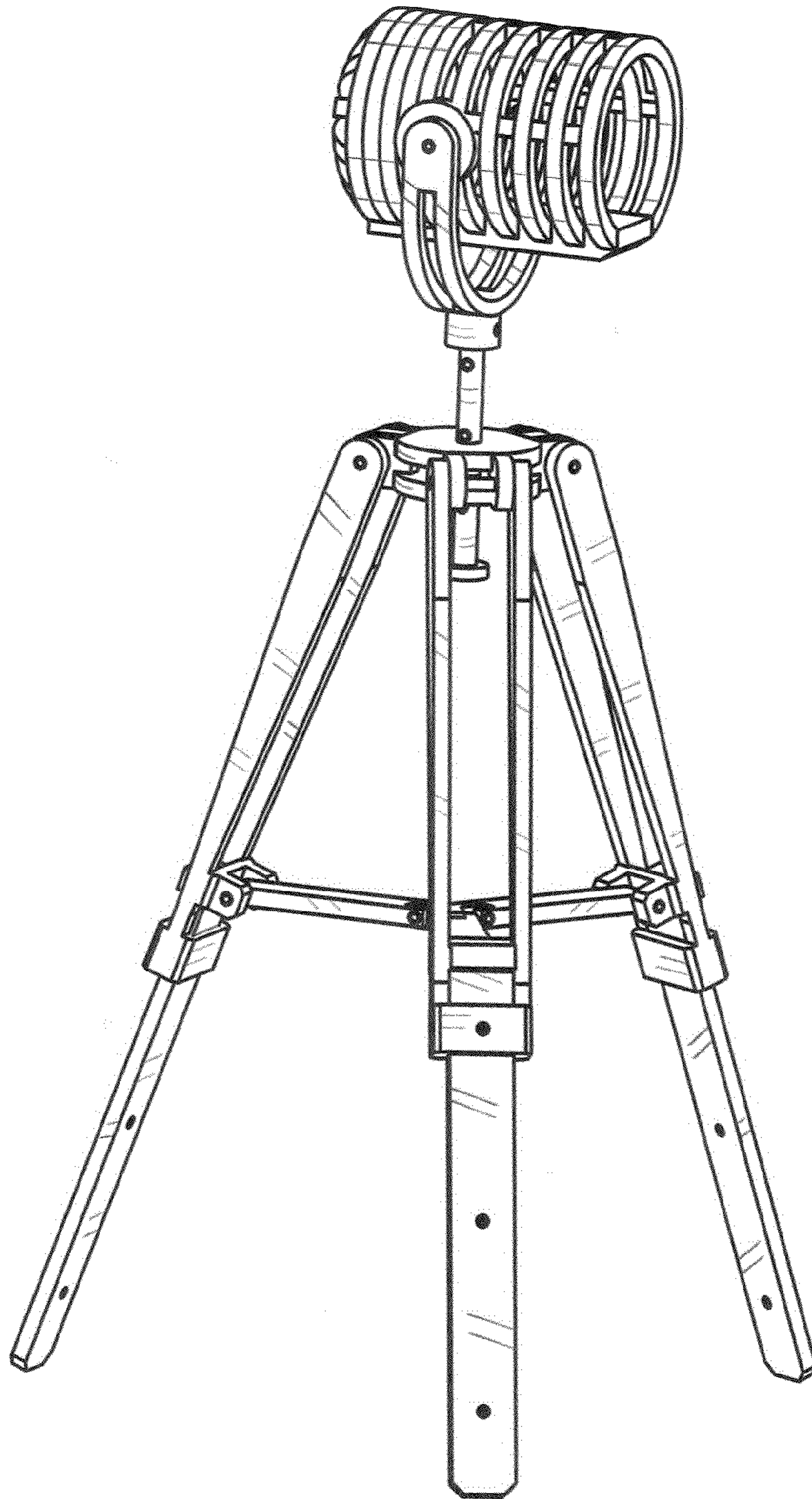


FIG. 1



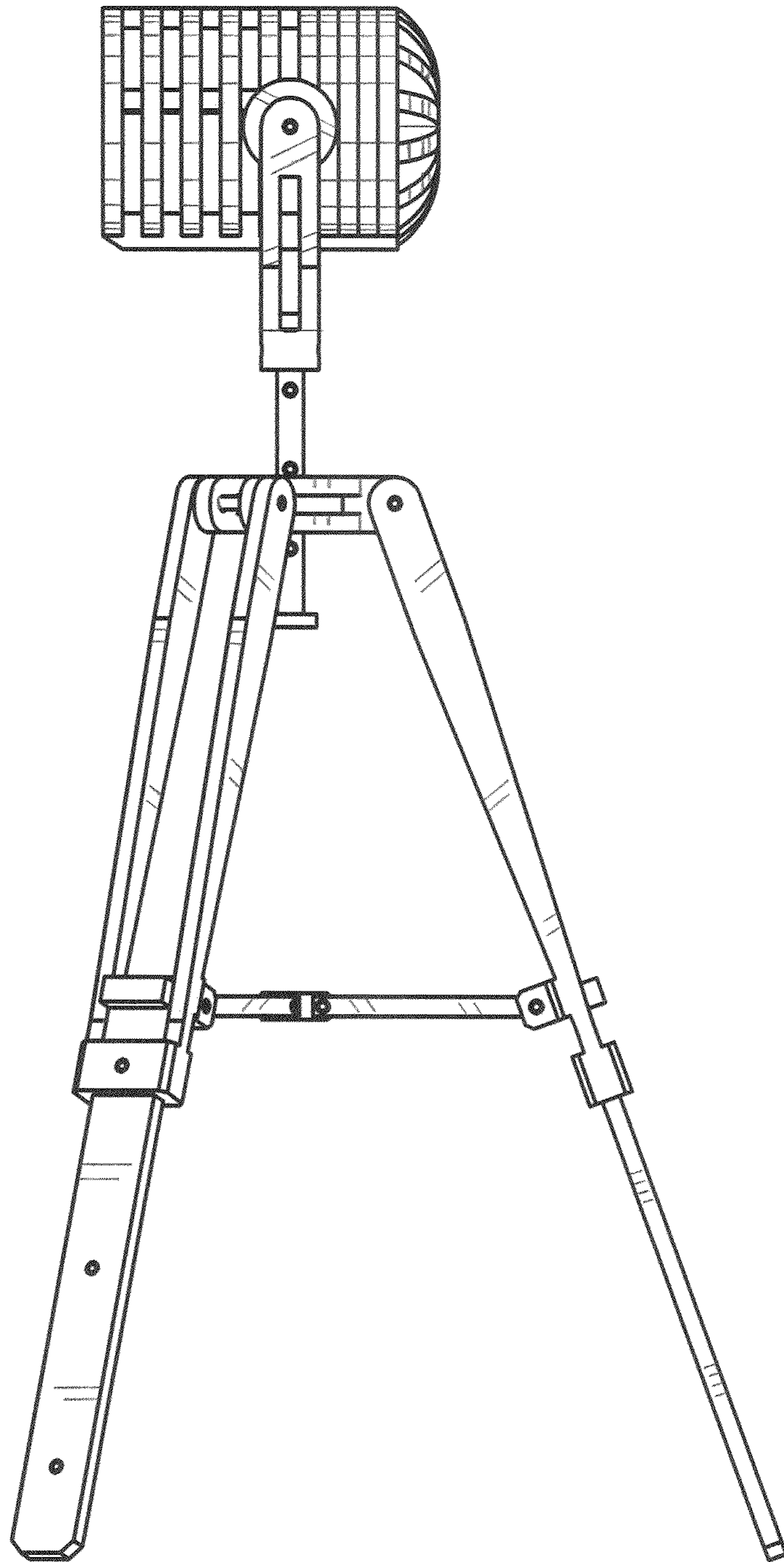


FIG. 2

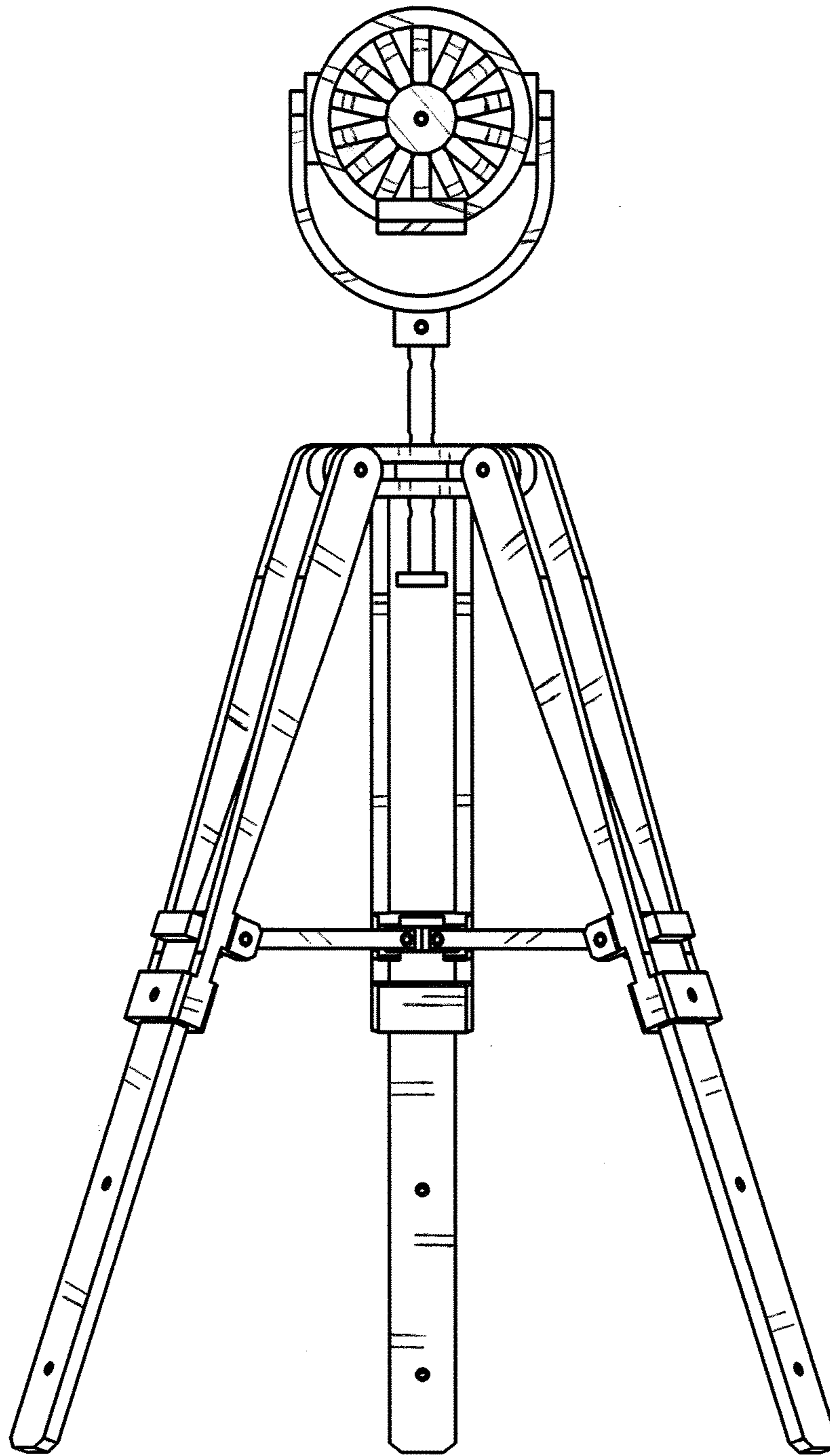


FIG. 3

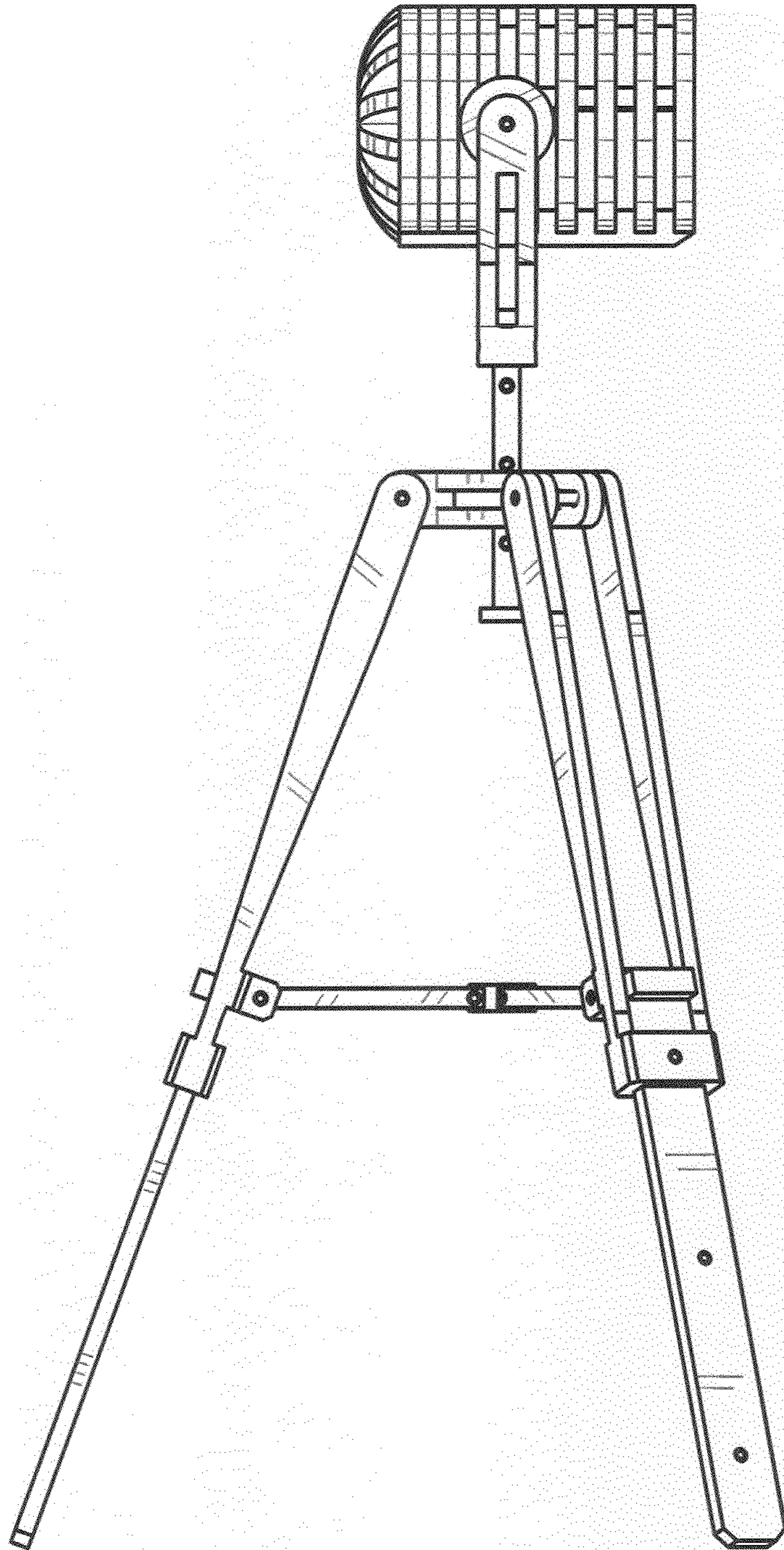


FIG. 4



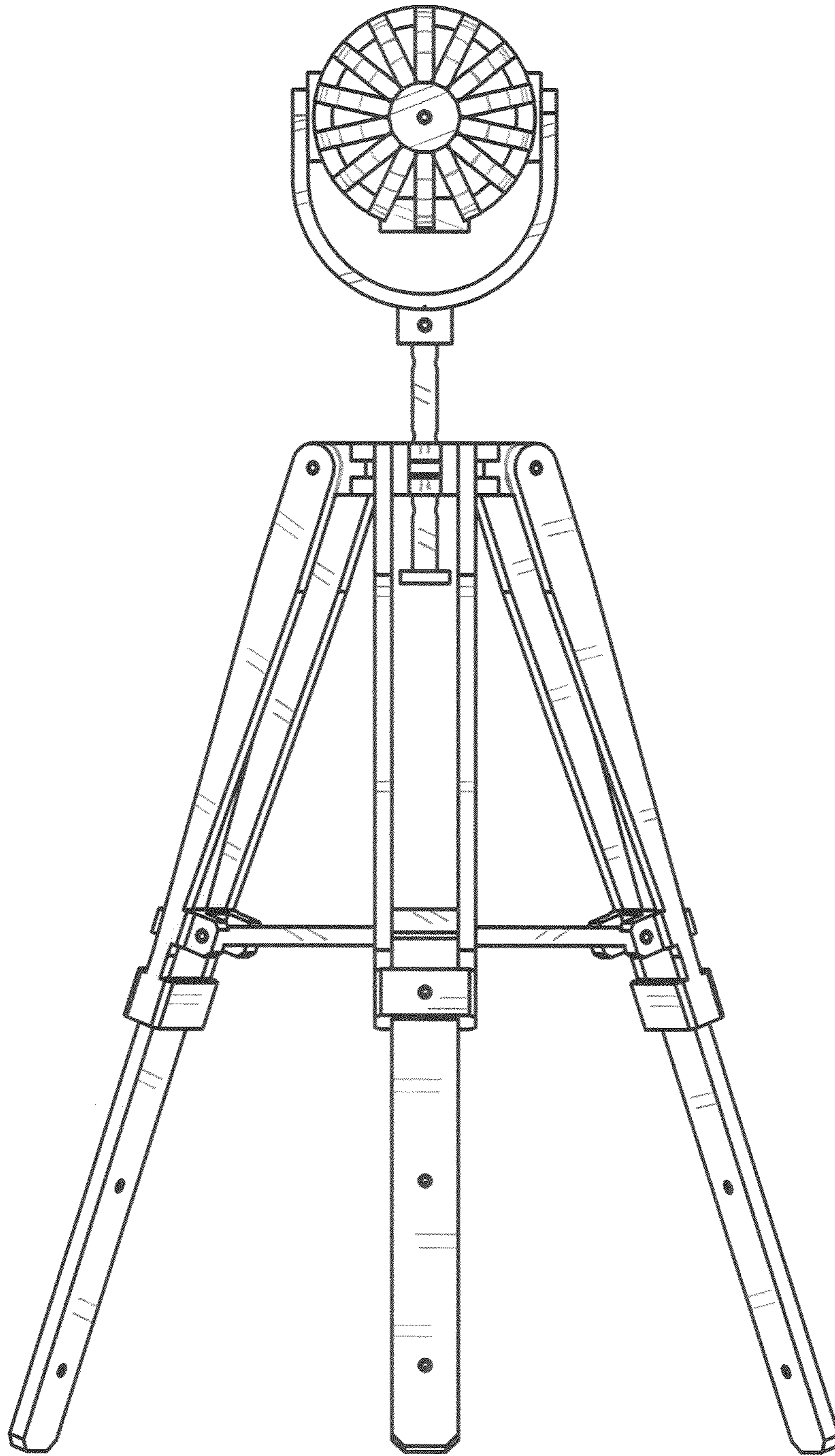


FIG. 5

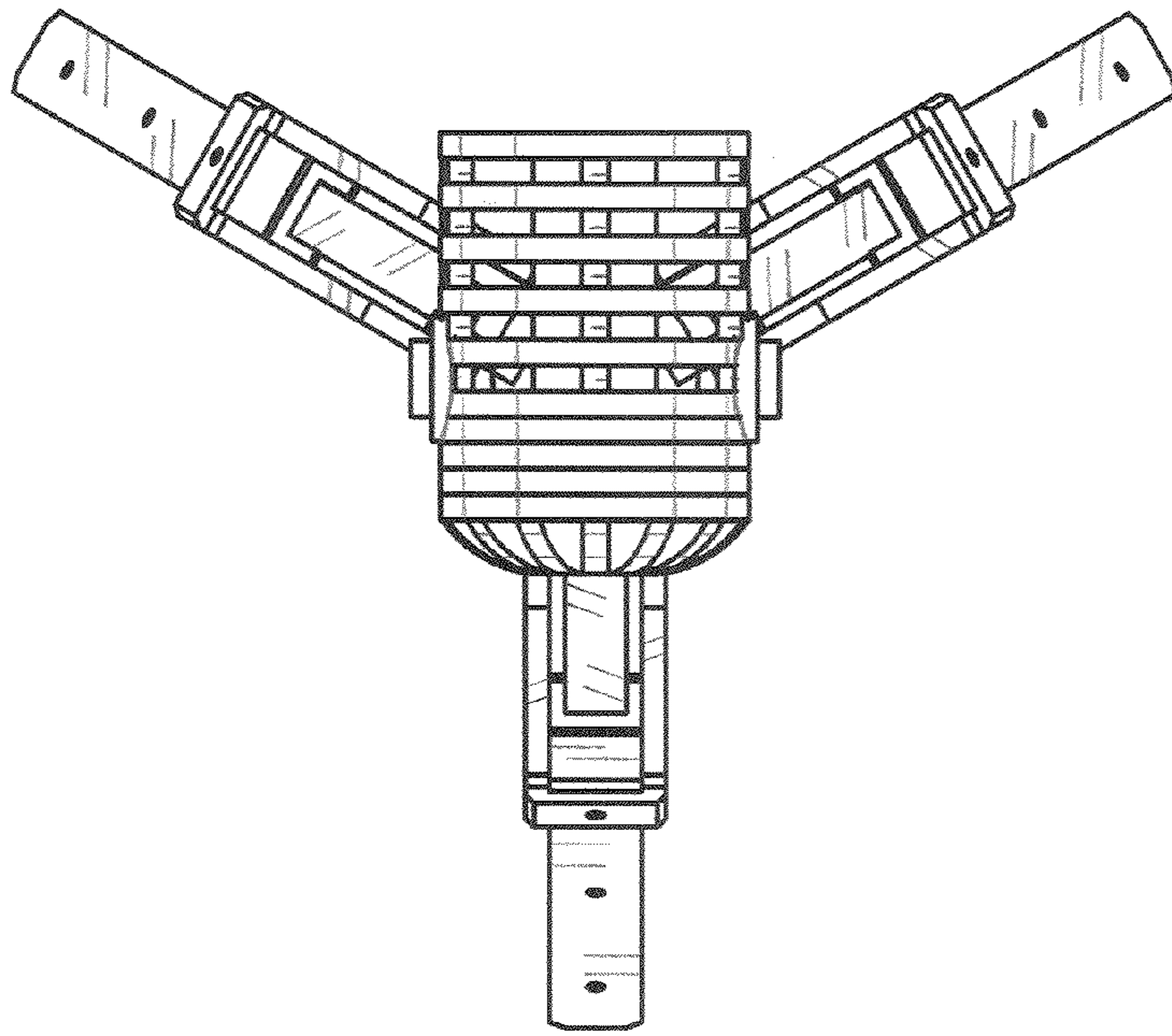


FIG. 6

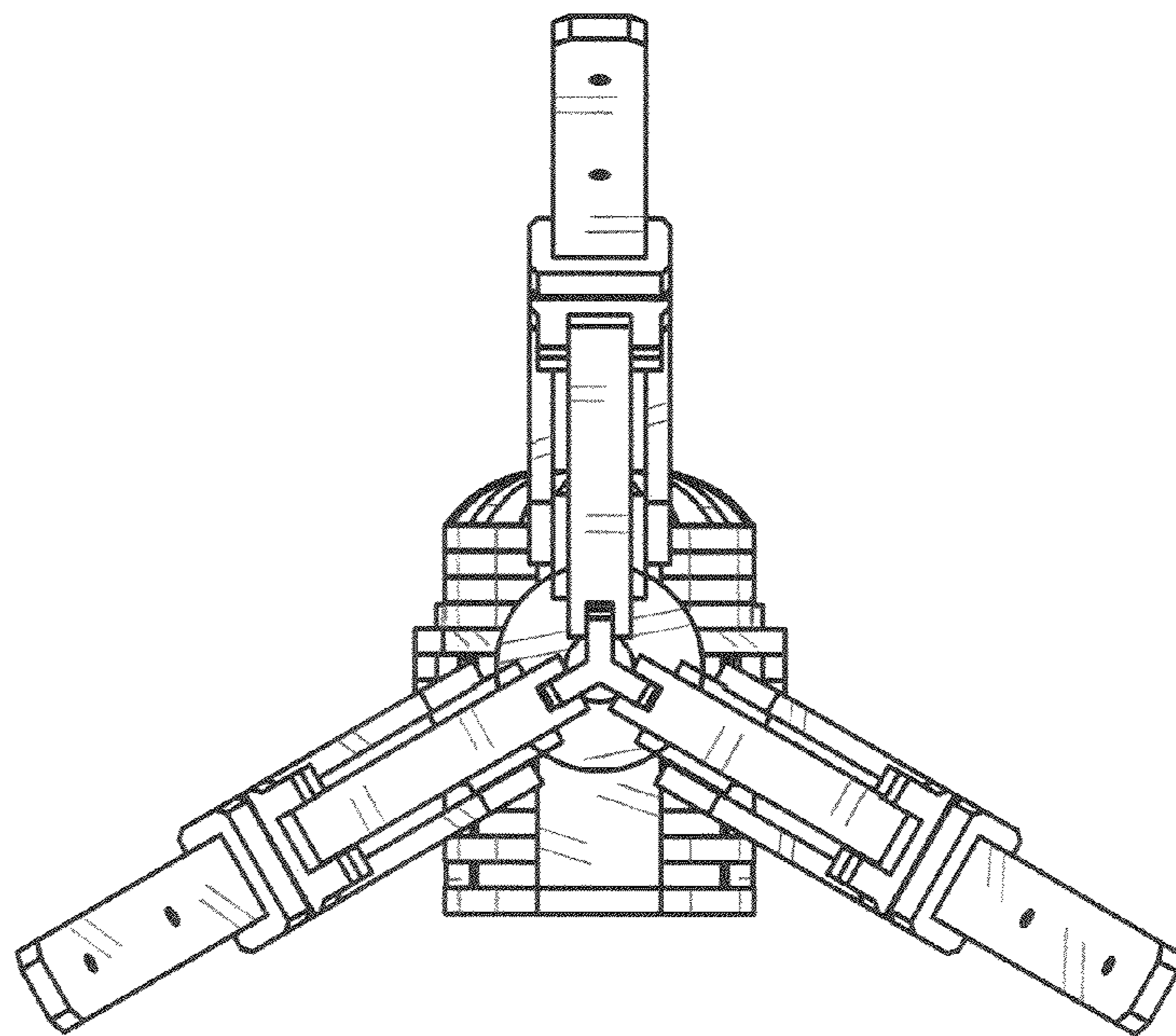


FIG. 7



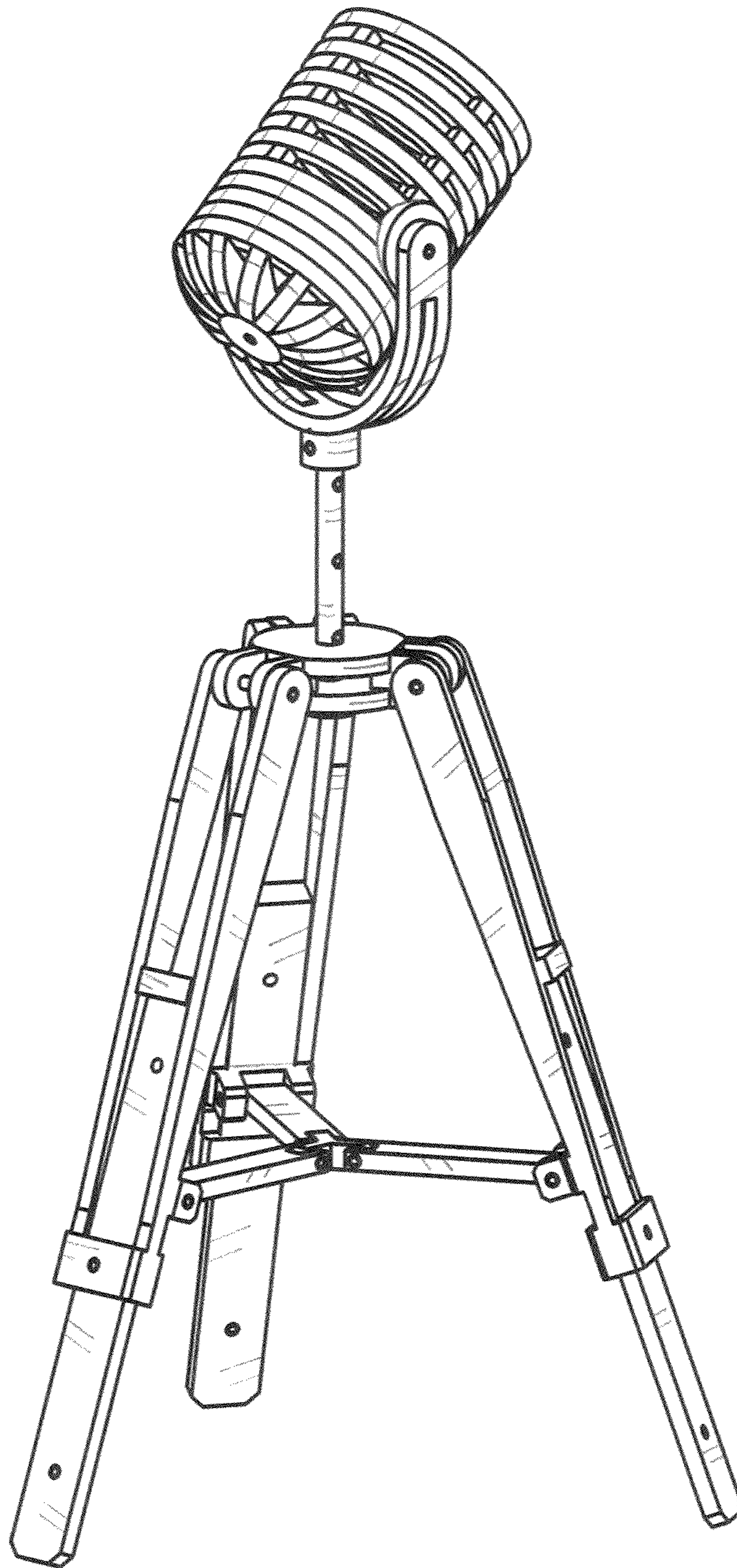


FIG. 8



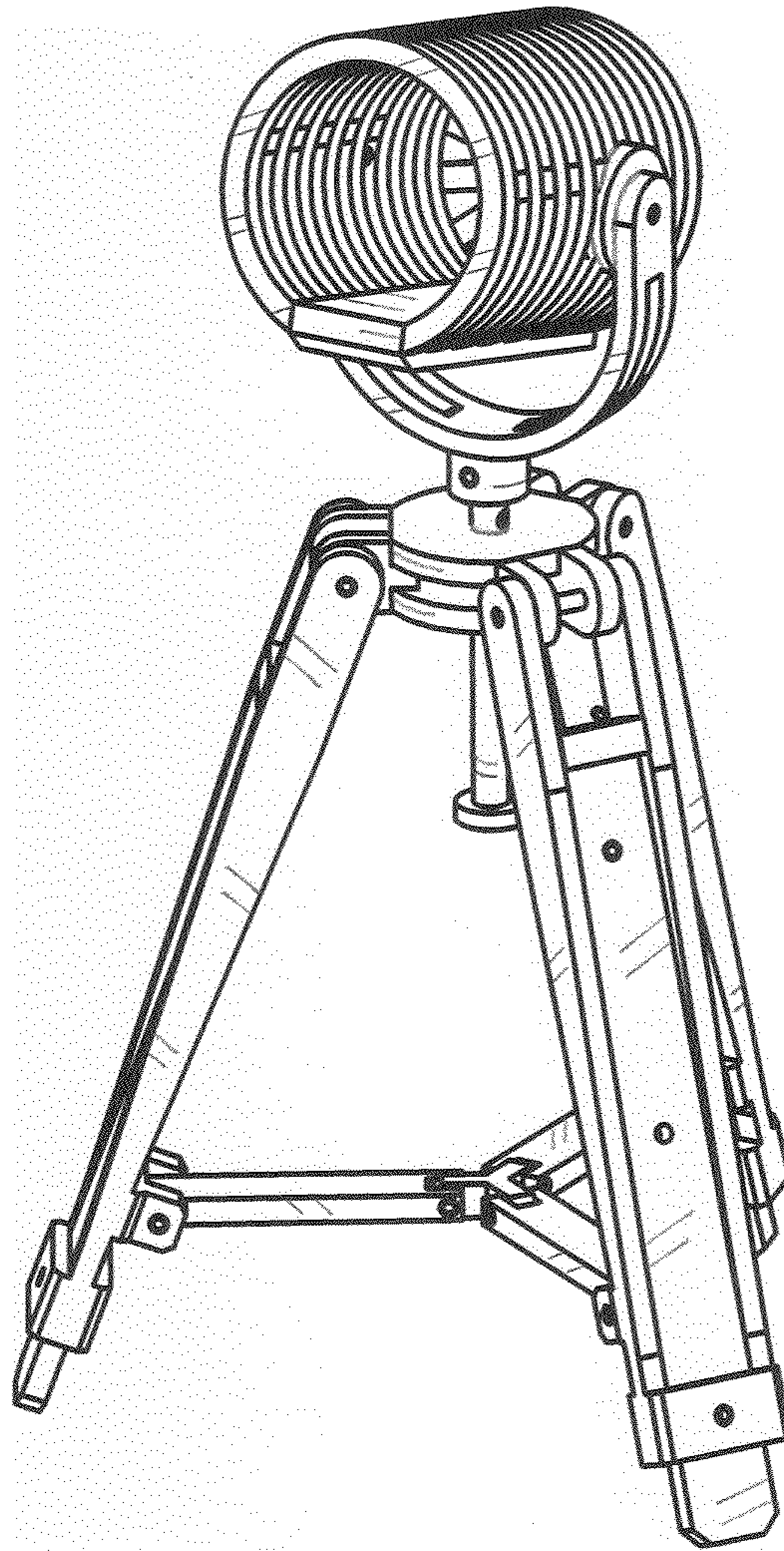


FIG. 9

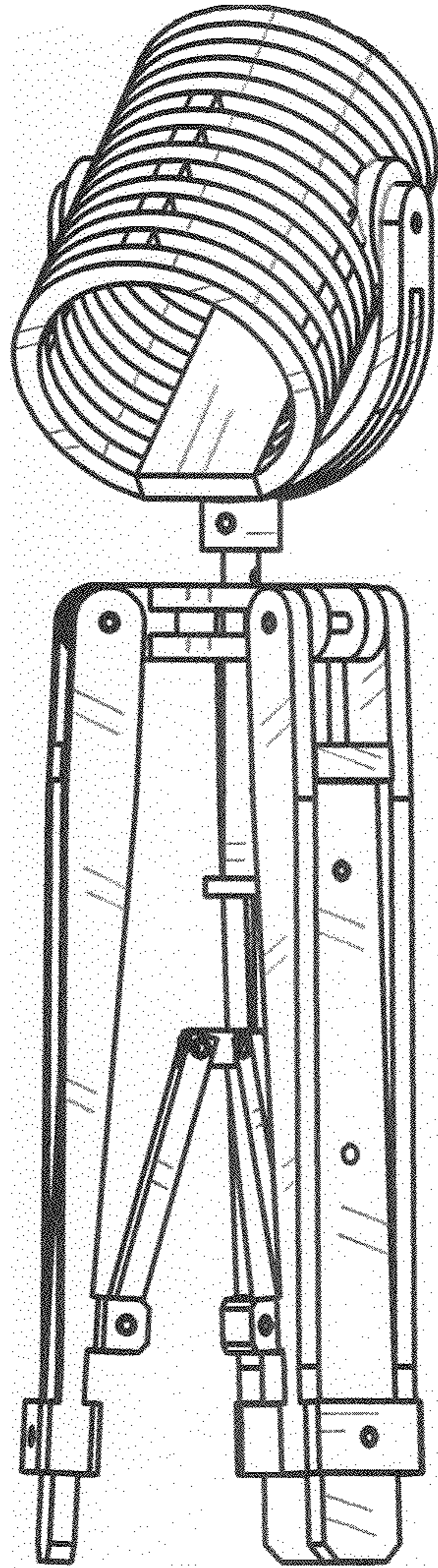


FIG. 10



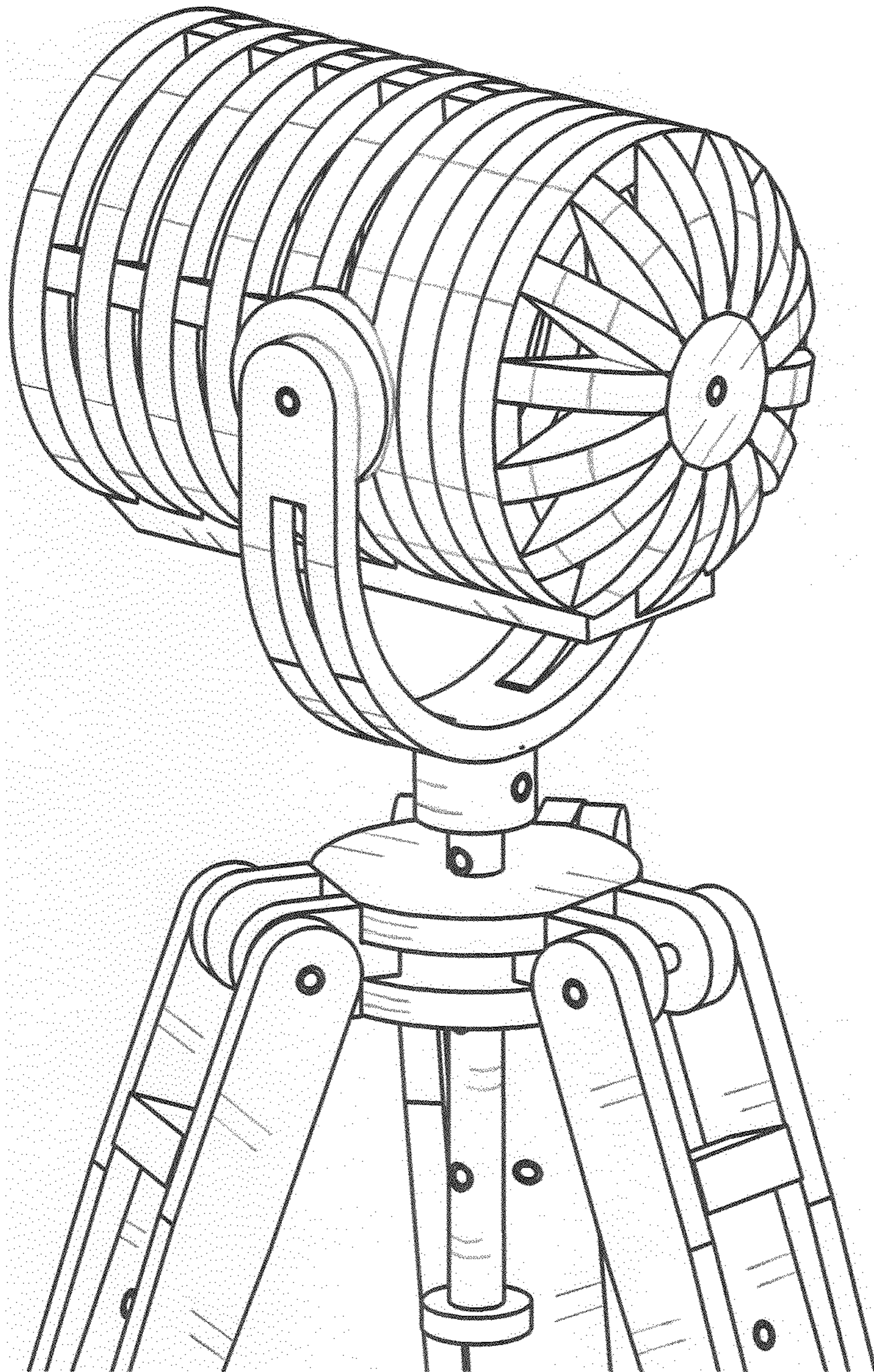


FIG. 11