



US00D759869S

(12) **United States Design Patent**
Huang

(10) **Patent No.:** **US D759,869 S**
(45) **Date of Patent:** **** Jun. 21, 2016**

(54) **LAMP**
(71) Applicant: **Chia-Ling Huang**, Taichung (TW)
(72) Inventor: **Chia-Ling Huang**, Taichung (TW)
(**) Term: **14 Years**
(21) Appl. No.: **29/513,128**

D541,961 S *	5/2007	Tarter	D26/40
D627,090 S *	11/2010	Sanoner	D26/40
D638,152 S *	5/2011	Leung	D26/40
D643,560 S *	8/2011	Tompkin	D26/40
D693,499 S *	11/2013	Bennett	D26/37
D694,445 S *	11/2013	Shiu	D26/40
D695,434 S *	12/2013	Shen	D26/41
D698,471 S *	1/2014	Poon	D26/37
D705,467 S *	5/2014	Aglassinger	D26/41
D706,968 S *	6/2014	McDonough	D26/41

* cited by examiner

(22) Filed: **Dec. 26, 2014**
(51) **LOC (10) Cl.** **26-02**
(52) **U.S. Cl.**
USPC **D26/41**
(58) **Field of Classification Search**
USPC D26/40, 41, 37, 38; 362/157, 158, 183,
362/184, 194-196, 200-208, 174-176
CPC F21L 2003/00; F21L 4/00; F21L 4/005;
F21L 4/02; F21L 4/025; F21L 4/027; F21L
4/04; F21L 4/08; F21L 2005/00; F21L 7/00;
F21L 11/00; F21L 13/00; F21L 13/04; F21L
13/08; F21L 14/02; F21L 17/00; F21L 19/00;
F21L 25/00
See application file for complete search history.

Primary Examiner — Ian Simmons
Assistant Examiner — Carissa C Fitts

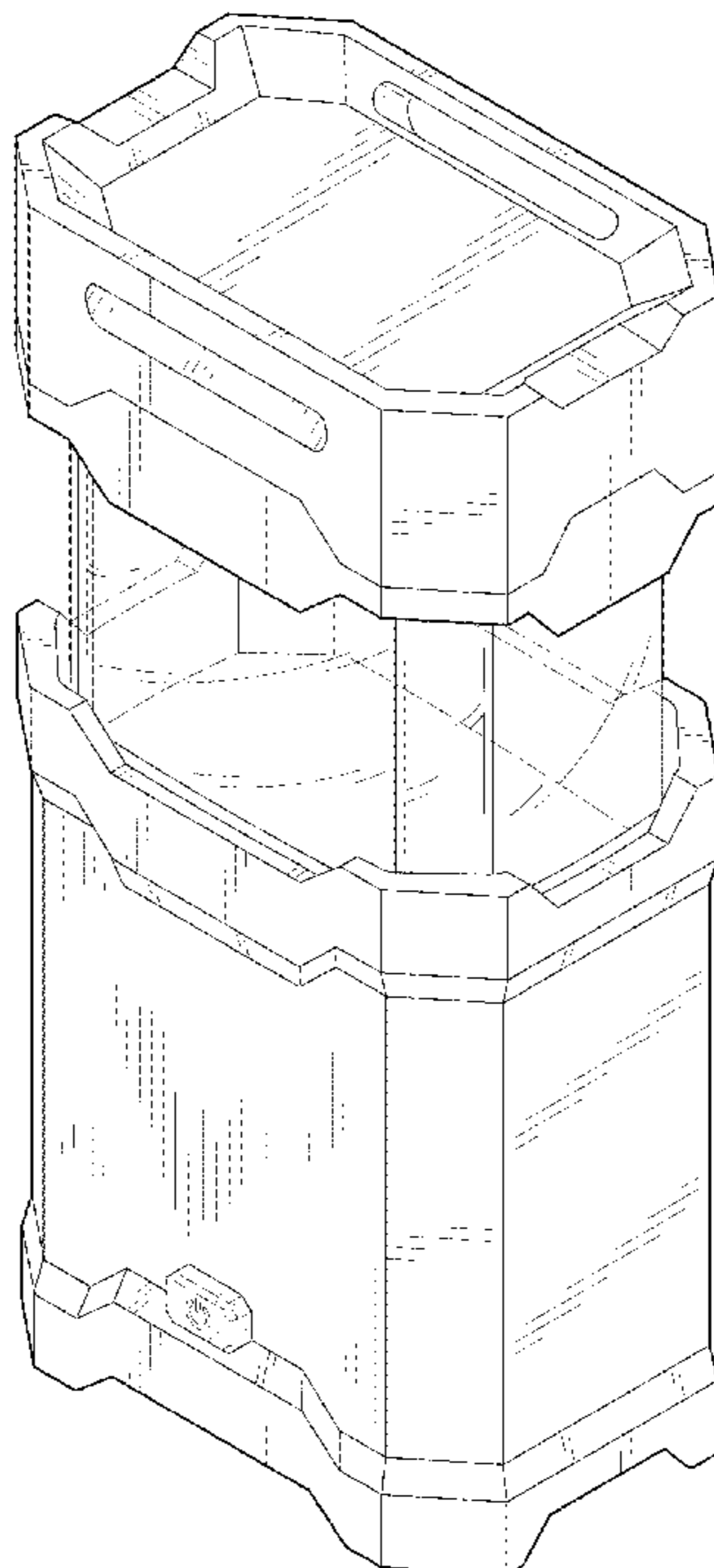
(57) **CLAIM**
The ornamental design for a lamp, as shown and described.

DESCRIPTION

FIG. 1 is a perspective view of a lamp showing my new design;
FIG. 2 is a front elevational view thereof;
FIG. 3 is a rear elevational view thereof;
FIG. 4 is a left side elevational view thereof;
FIG. 5 is a right side elevational view thereof;
FIG. 6 is a top plan view thereof;
FIG. 7 is a bottom plan view thereof;
FIG. 8 is a perspective view of the lamp in an closed status thereof; and,
FIG. 9 is another perspective view in the closed status thereof.
The stipple shading applied to the switch element illustrates a contrasting appearance.

(56) **References Cited**
U.S. PATENT DOCUMENTS
D365,164 S * 12/1995 Yuen D26/48
D374,099 S * 9/1996 Bamber D26/41
5,860,729 A * 1/1999 Bamber F21L 4/02
362/184
D535,419 S * 1/2007 Shiu D26/40

1 Claim, 8 Drawing Sheets



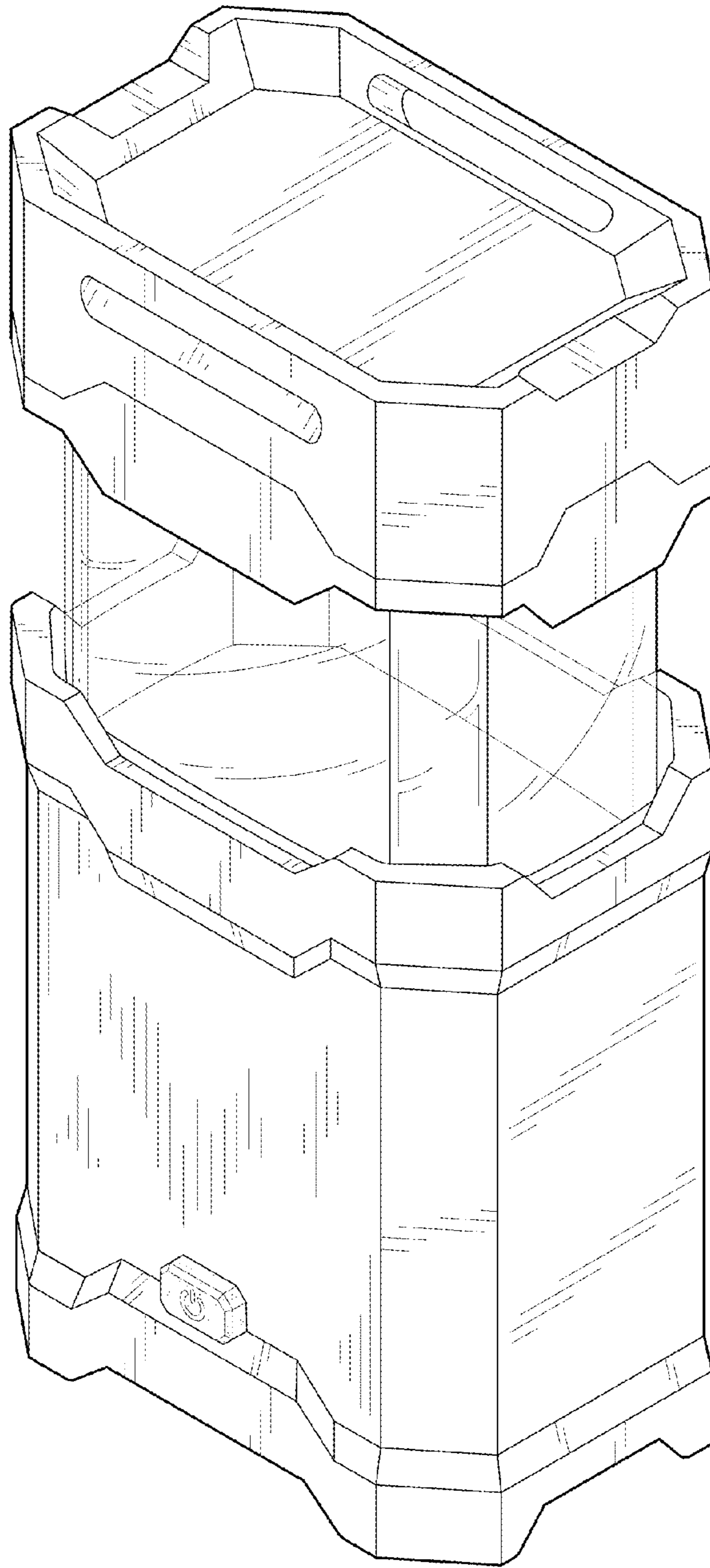


FIG. 1

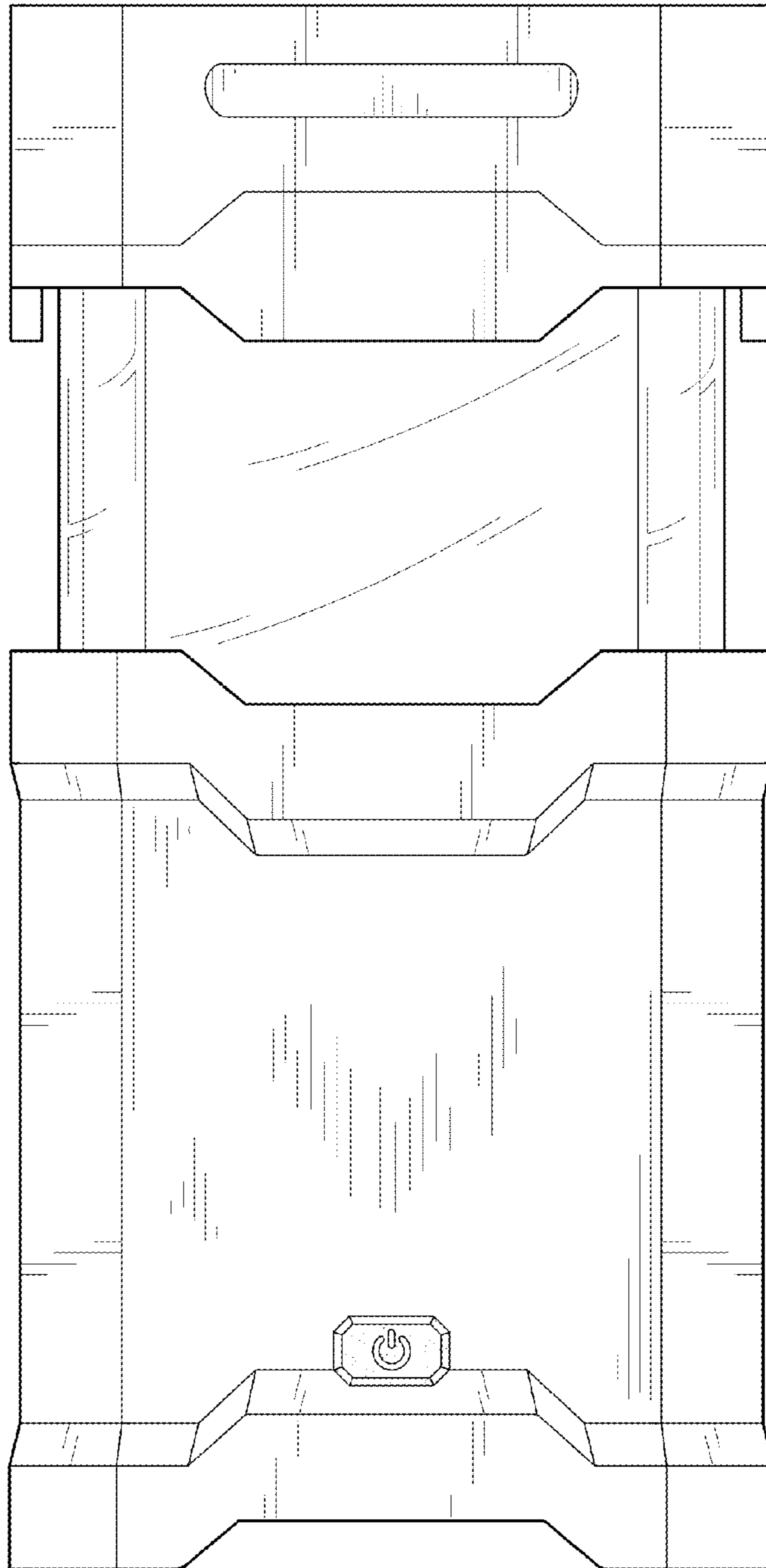


FIG. 2

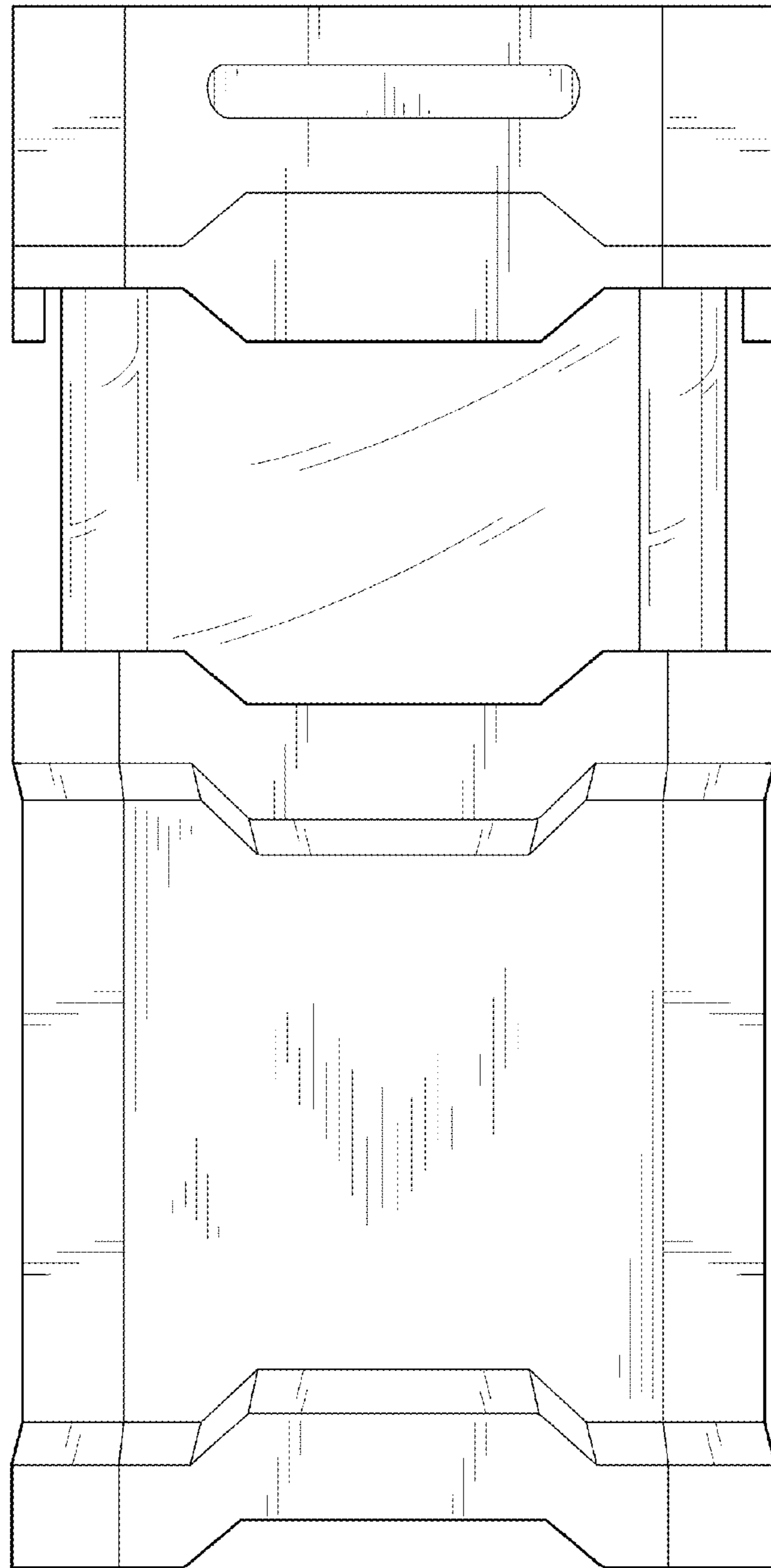


FIG. 3

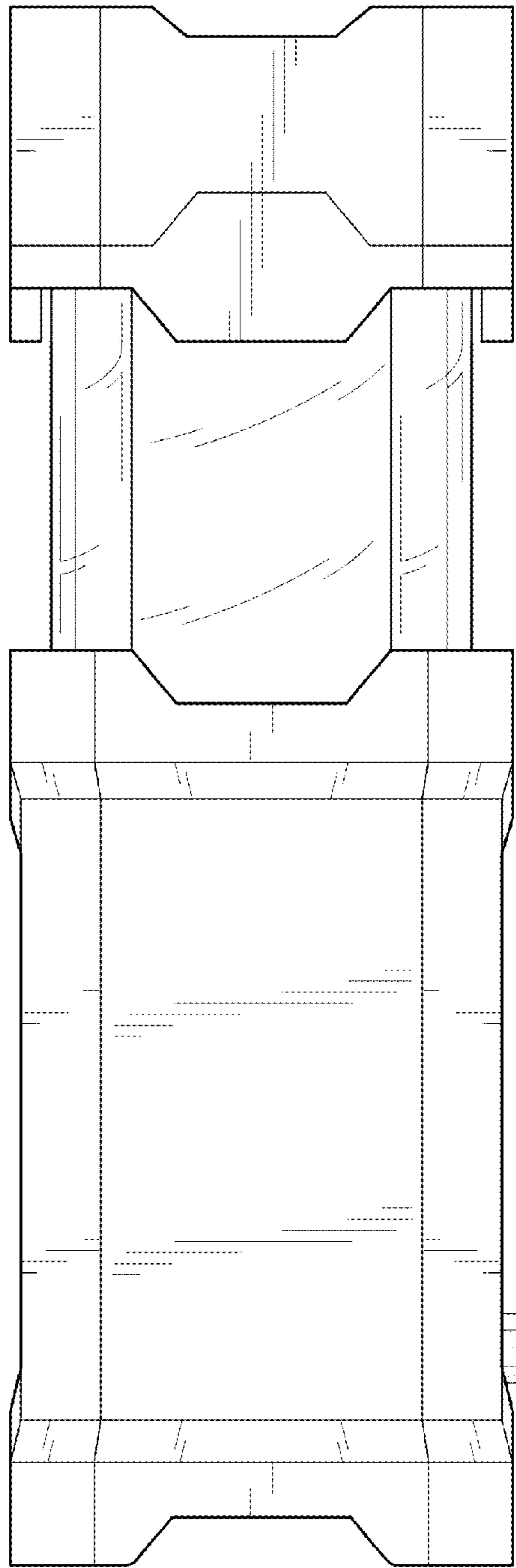


FIG. 4

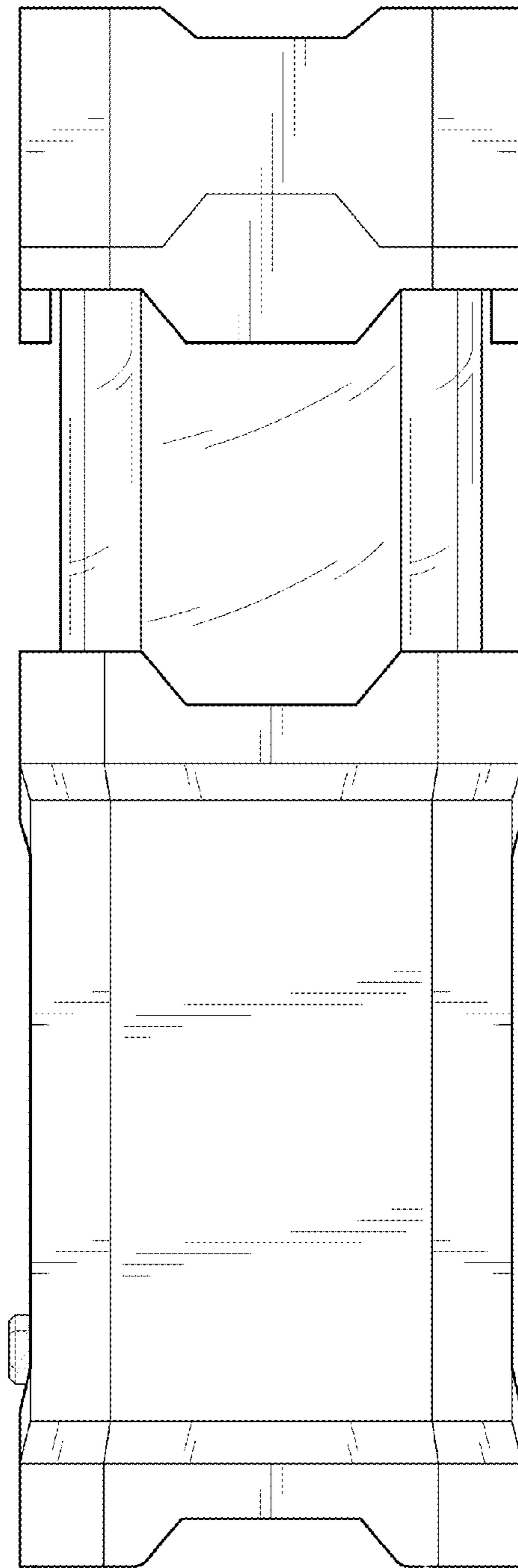


FIG. 5

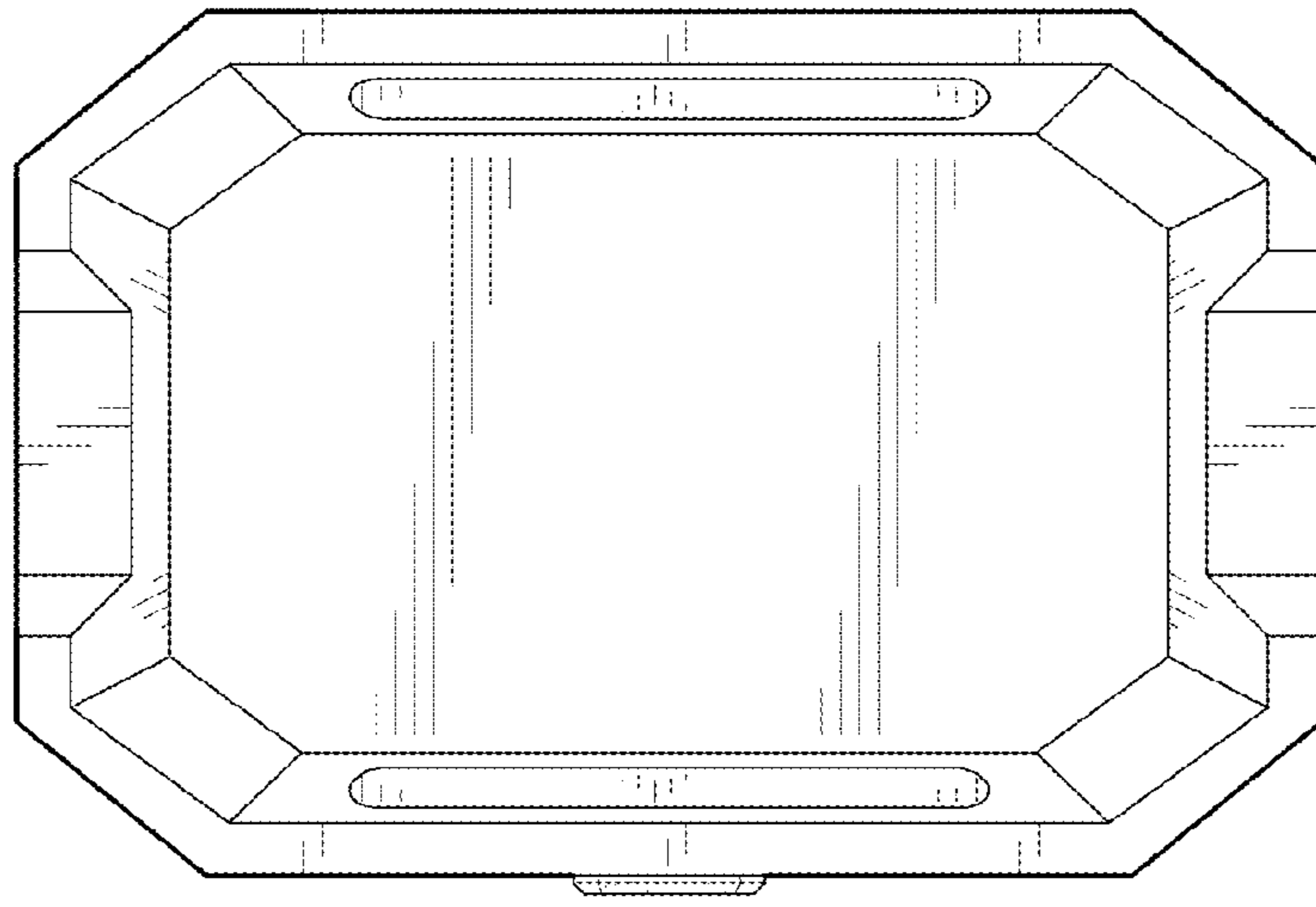


FIG. 6

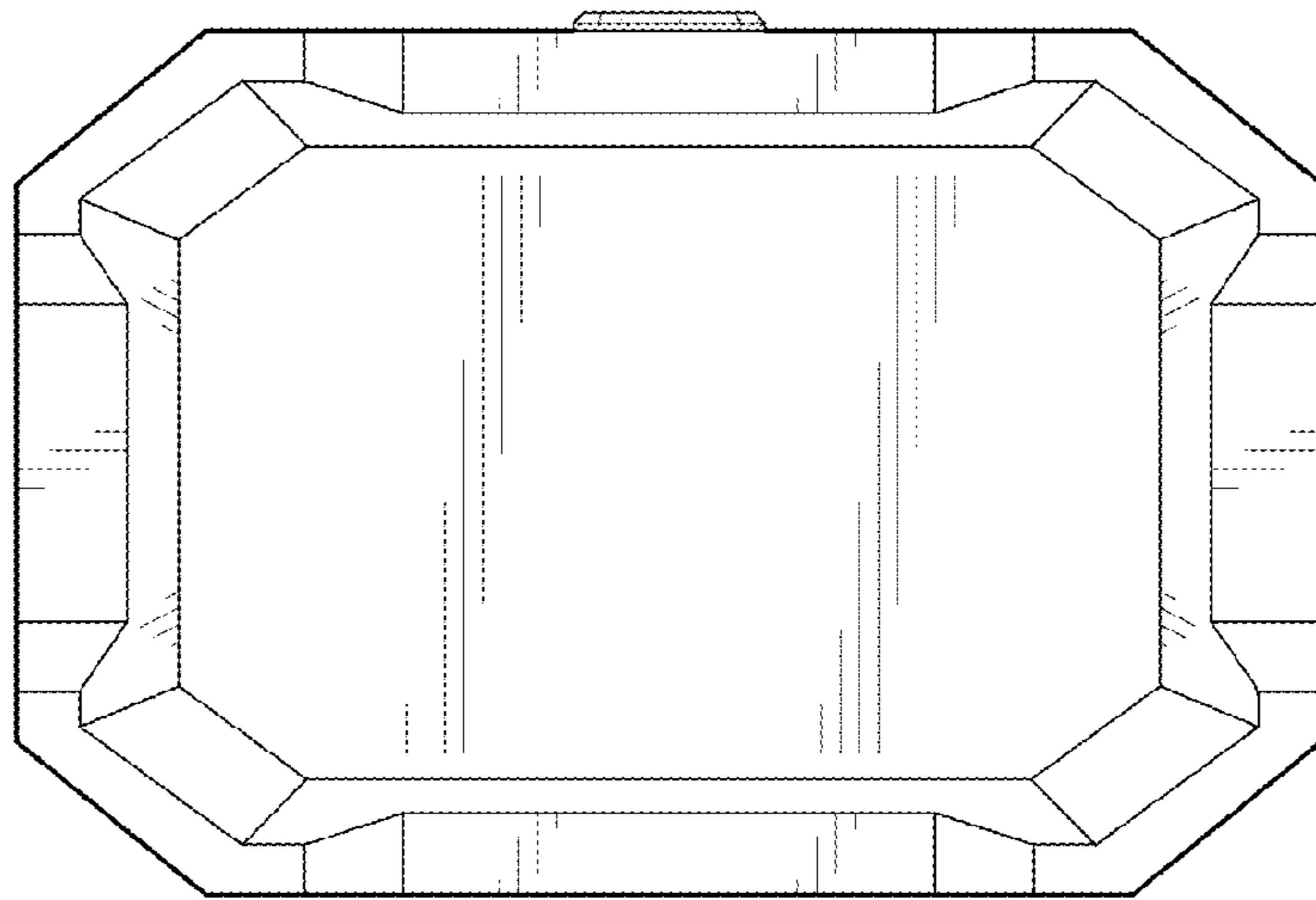


FIG. 7

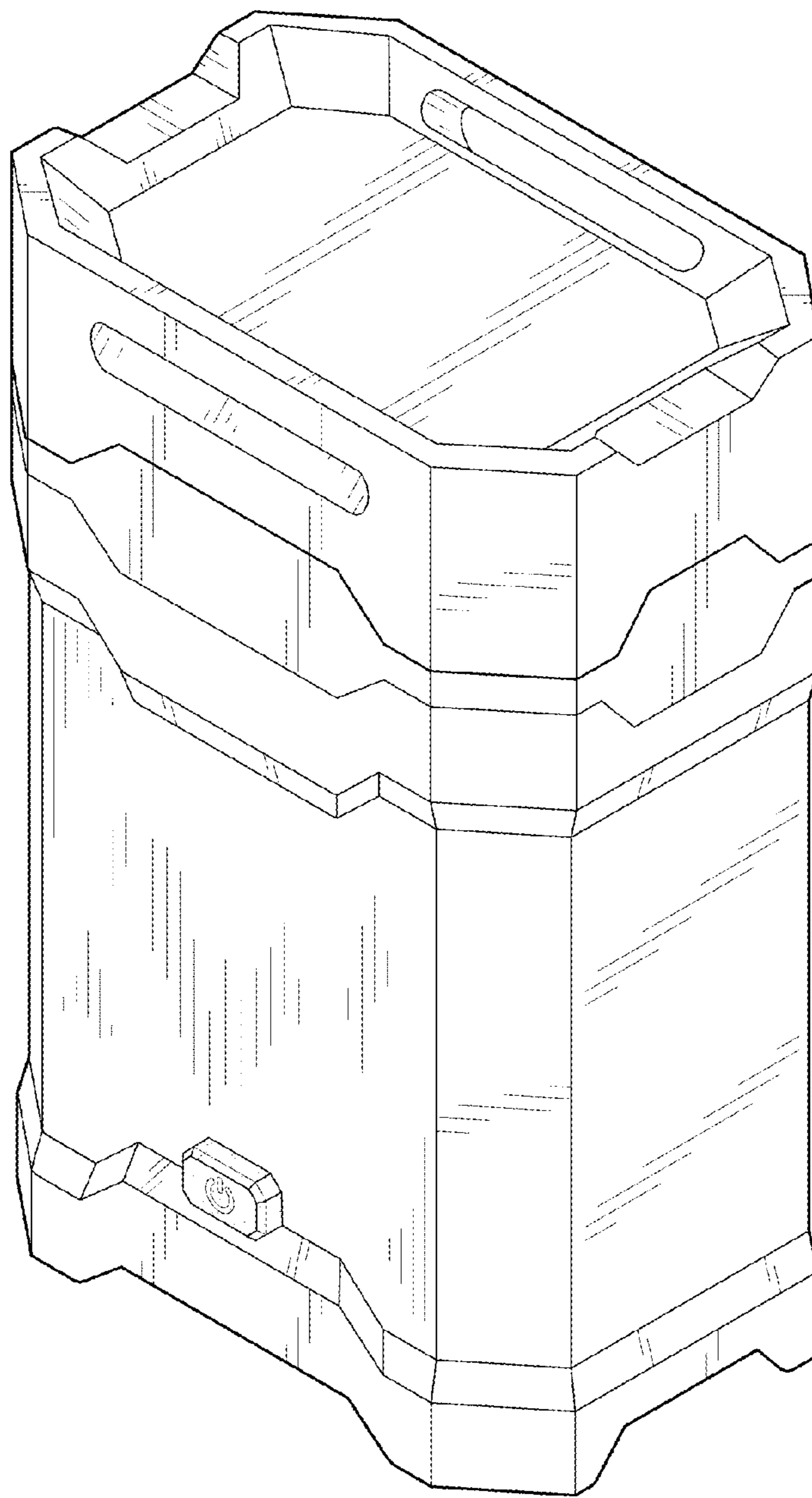


FIG. 8

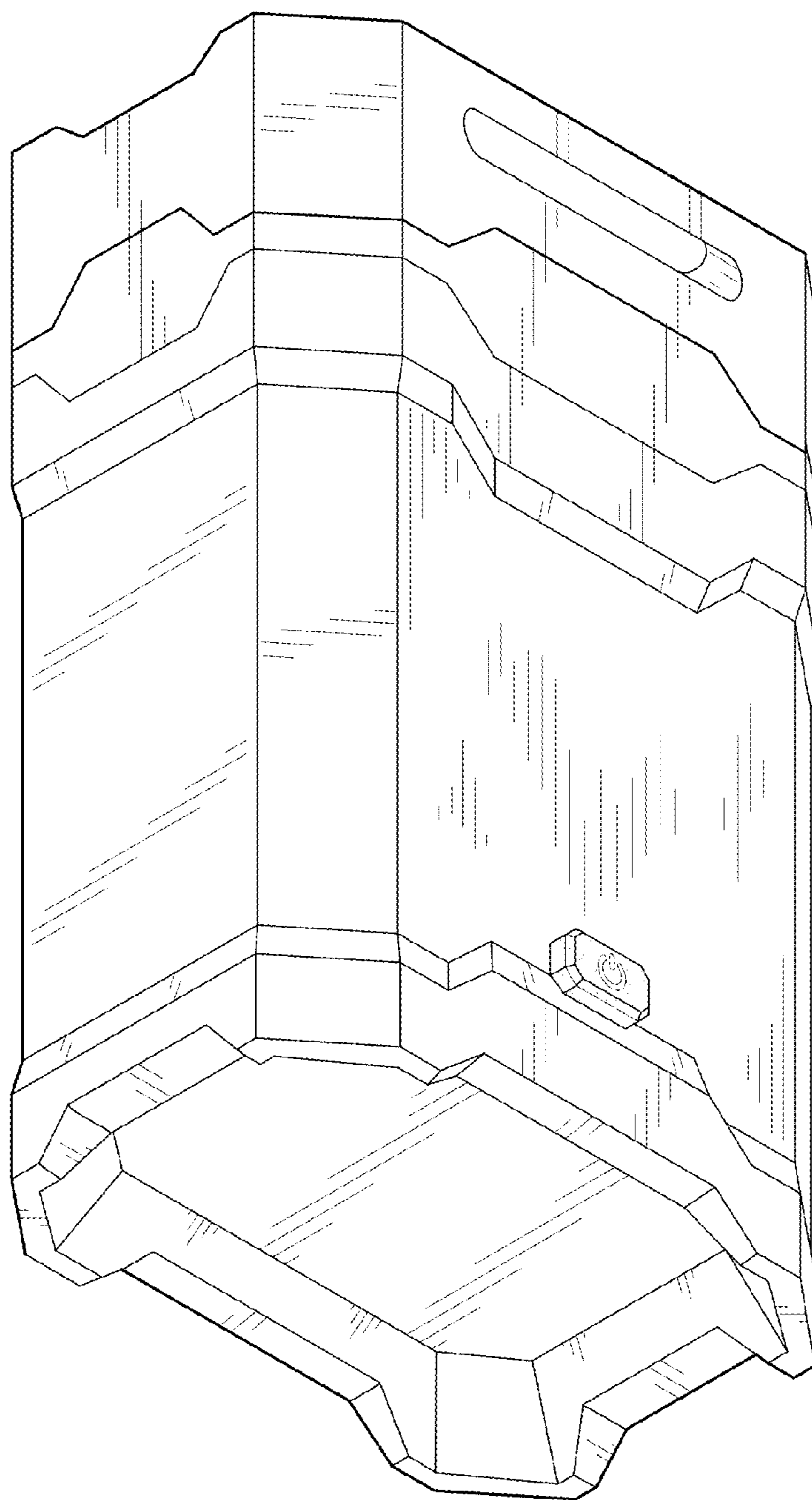


FIG. 9