



US00D759868S

(12) **United States Design Patent**
Vivenzio et al.

(10) **Patent No.:** **US D759,868 S**
(45) **Date of Patent:** **** Jun. 21, 2016**

(54) **ILLUMINATOR FOR A MEDICAL DEVICE OR THE LIKE**

Primary Examiner — Ian Simmons
Assistant Examiner — Carissa C Fitts

(71) Applicant: **Welch Allyn, Inc.**, Skaneateles Falls, NY (US)

(57) **CLAIM**
The ornamental design for an illuminator for a medical device or the like, as shown and described.

(72) Inventors: **Robert L. Vivenzio**, Skaneateles Falls, NY (US); **Raymond A. Lia**, Skaneateles Falls, NY (US)

DESCRIPTION

(73) Assignee: **WELCH ALLYN, INC.**, Skaneateles Falls, NY (US)

FIG. 1 is a perspective view of an illuminator for a medical device or the like showing our new design; FIG. 2 is another perspective view thereof; FIG. 3 is a front elevation view thereof; FIG. 4 is a rear elevation view thereof; FIG. 5 is a top plan view thereof; FIG. 6 is a bottom plan view thereof; FIG. 7 is a left side elevation view thereof; FIG. 8 is a right side elevation view thereof; FIG. 9 is another perspective view thereof, shown in a position of use with a medical device; FIG. 10 is another side view thereof, shown in a position of use with a medical device; FIG. 11 is a perspective view of another illuminator for a medical device or the like showing our new design; FIG. 12 is another perspective view thereof; FIG. 13 is a front elevation view thereof; FIG. 14 is a rear elevation view thereof; FIG. 15 is a top plan view thereof; FIG. 16 is a bottom plan view thereof; FIG. 17 is a left side elevation view thereof; FIG. 18 is a right side elevation view thereof; FIG. 19 is another perspective view thereof, shown in a position of use with a medical device; and, FIG. 20 is another side view thereof, shown in a position of use with a medical device.

(**) Term: **14 Years**

(21) Appl. No.: **29/434,858**

(22) Filed: **Oct. 17, 2012**

(51) **LOC (10) Cl.** **26-02**

(52) **U.S. Cl.**
USPC **D26/38; D26/46**

(58) **Field of Classification Search**
USPC D26/37, 38, 39, 45, 46, 40, 51, 113, 49; 362/572, 574, 575, 157, 158, 184, 186, 362/194-196, 200, 208, 253; D24/135
CPC F21L 2/00; F21L 4/00; F21L 4/005; F21L 17/00; F21L 13/08; F21Y 2101/00; F21V 21/30; F21V 21/406; F21W 2131/406; F21W 2131/407

See application file for complete search history.

Broken lines immediately adjacent shaded areas represent bounds of the claimed design. Broken lines of the medical devices of FIGS. 9, 10, 19, and 20 are directed to environment. All other broken lines are directed to unclaimed features. The broken lines form no part of the claimed design.

(56) **References Cited**

U.S. PATENT DOCUMENTS

3,789,835 A * 2/1974 Whitman A61B 1/0669
600/221
4,067,323 A * 1/1978 Troutner A61B 1/0669
362/109

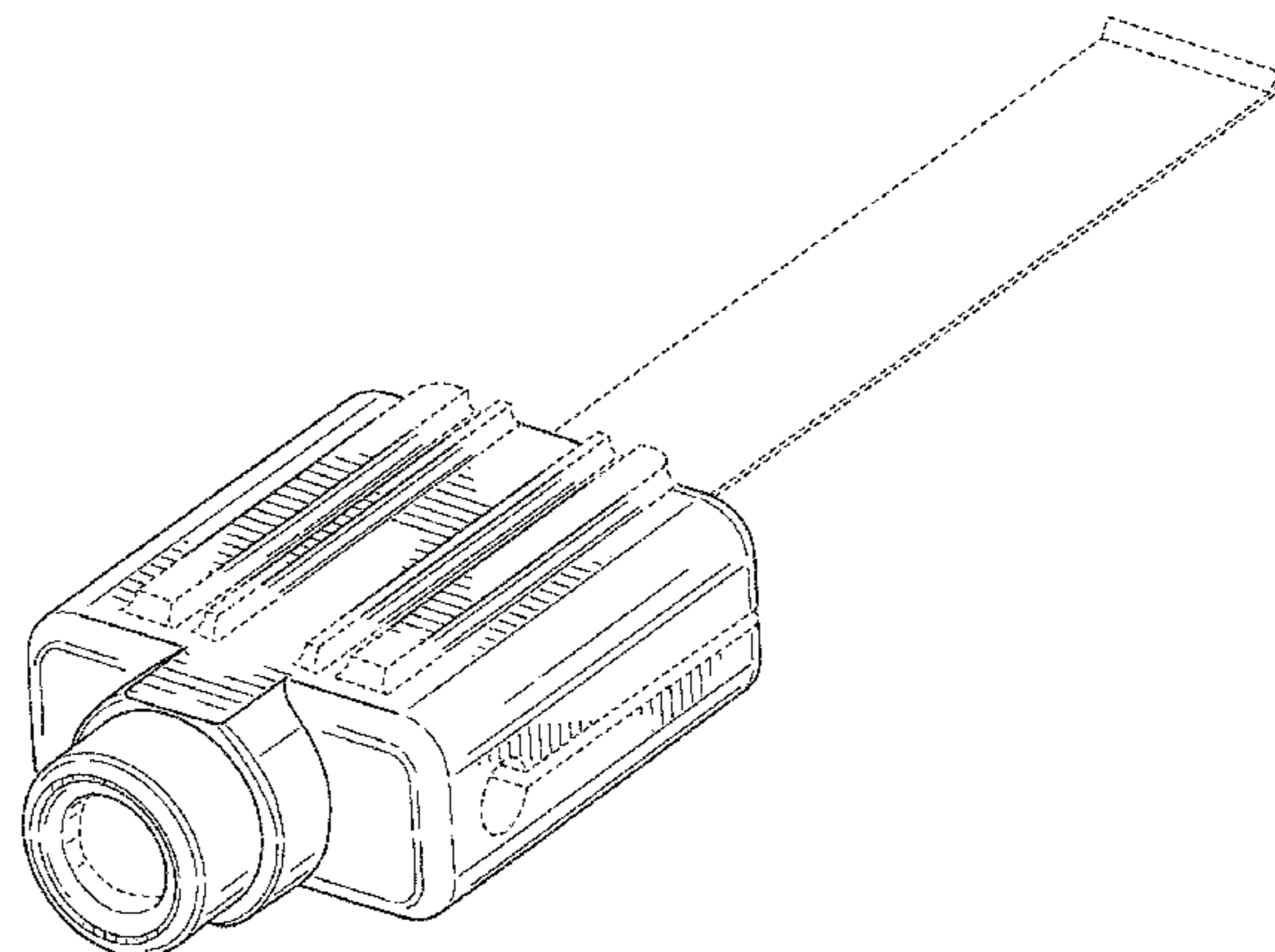
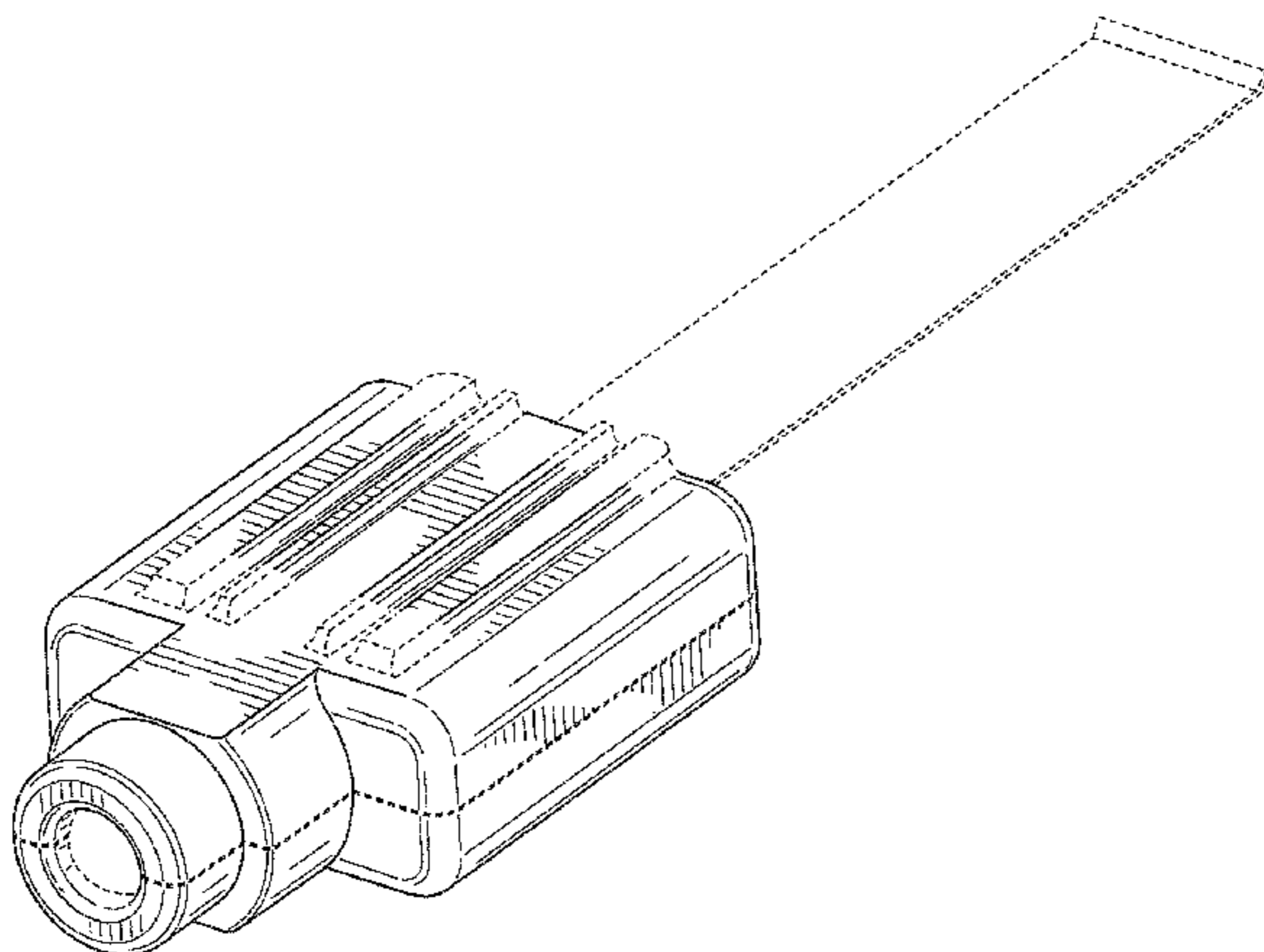
(Continued)

OTHER PUBLICATIONS

Notice of Allowance from U.S. Appl. No. 29/434,856 dated Jun. 17, 2015.

(Continued)

1 Claim, 14 Drawing Sheets



(56)

References Cited

U.S. PATENT DOCUMENTS

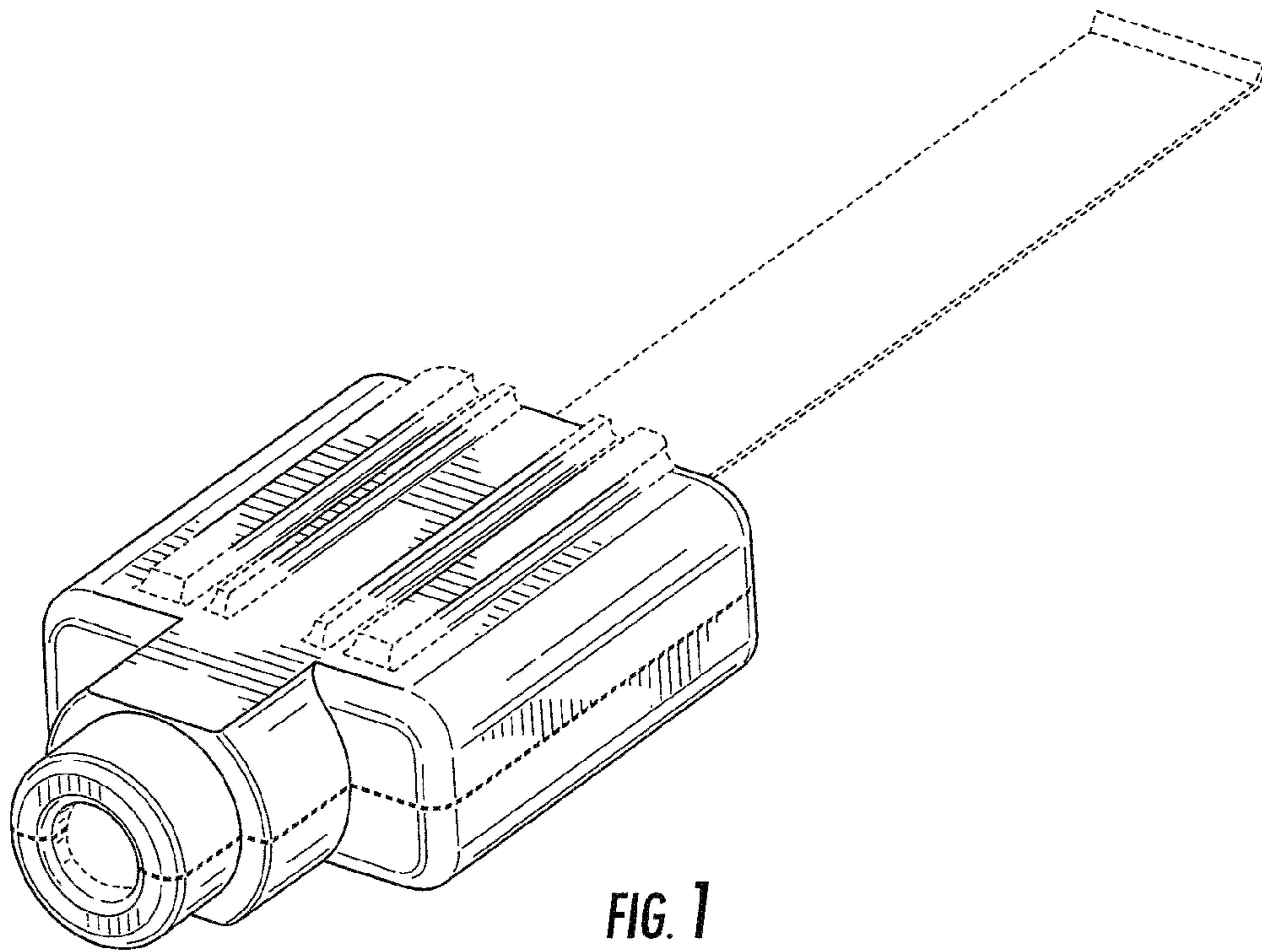
D343,453 S 1/1994 Noda
 D367,087 S 2/1996 Mathews
 D375,372 S 11/1996 Allen
 6,004,265 A * 12/1999 Hsu A61B 1/32
 600/220
 D425,226 S 5/2000 Galli
 D445,928 S 7/2001 Sharrah et al.
 D446,324 S 8/2001 Lynch et al.
 D446,325 S 8/2001 Guerrieri
 6,379,296 B1 * 4/2002 Baggett A61B 1/303
 600/178
 D457,670 S 5/2002 Allen
 D482,469 S 11/2003 Guerrieri
 D492,050 S 6/2004 Chung
 D498,553 S 11/2004 Lee
 D498,864 S 11/2004 Lee
 D501,266 S 1/2005 Harris, Jr. et al.
 D507,368 S * 7/2005 Waters D26/37
 D507,369 S * 7/2005 Waters D26/37
 D507,671 S 7/2005 Rice
 D513,084 S 12/2005 Parker et al.
 7,029,439 B2 4/2006 Roberts et al.
 D565,216 S * 3/2008 Markell D26/37
 D576,323 S 9/2008 Cienfuegos
 D577,143 S 9/2008 Lu
 D581,566 S 11/2008 Slawson et al.
 D593,693 S * 6/2009 Adamany D26/37
 D594,148 S * 6/2009 Heselden D26/37
 D598,593 S 8/2009 Kingston et al.
 D627,092 S 11/2010 Puglisi
 7,841,751 B2 11/2010 Mulani
 7,909,759 B2 3/2011 Pecherer
 D642,310 S * 7/2011 Idelson D26/39
 D656,644 S 3/2012 Lee
 8,142,352 B2 3/2012 Vivenzio et al.
 8,152,330 B2 * 4/2012 Waters F21V 21/084
 351/158
 8,157,728 B2 4/2012 Danna et al.
 D659,845 S 5/2012 Lytle
 D676,992 S 2/2013 Trude
 8,409,082 B2 4/2013 Irion et al.
 D683,489 S 5/2013 Lee
 D690,043 S 9/2013 Sun
 RE44,806 E 3/2014 Roberts et al.
 8,740,780 B2 6/2014 Honda et al.
 D710,500 S 8/2014 Roeloffs
 8,808,175 B2 8/2014 Deitch et al.

D712,561 S 9/2014 Hagenauer
 9,173,648 B2 * 11/2015 Vayser A61B 1/32
 2006/0007669 A1 * 1/2006 Blackburn A41D 19/0157
 362/103
 2006/0029901 A1 * 2/2006 Rose A61C 5/00
 433/29
 2008/0045801 A1 2/2008 Shalman et al.
 2008/0228038 A1 9/2008 McMahon et al.
 2009/0076334 A1 3/2009 Chen
 2009/0312610 A1 12/2009 Buchok et al.
 2012/0108907 A1 5/2012 Fitipaldi et al.
 2014/0293590 A1 10/2014 Pathy

OTHER PUBLICATIONS

Office Action from U.S. Appl. No. 13/839,205 dated Jul. 1, 2015.
 Design U.S. Appl. No. 29/434,856, filed Oct. 17, 2012; In re: Vivenzio et al., entitled *Illuminator for a Medical Device or the Like*.
 Design U.S. Appl. No. 29/434,858, filed Oct. 17, 2012; In re: Vivenzio et al., entitled *Illuminator for a Medical Device or the Like*.
 U.S. Appl. No. 13/839,205, filed Mar. 15, 2013; In re: Vivenzio et al., entitled *Illumination Device, System, and Method of Use*.
 Disposable Vaginal Spectrum With Cordless LED Source, MedGyn Products, Inc. [online] [retrieved May 1, 2014]. Retrieved from the Internet: <URL: <http://medgyn.com/?wpsc-product=disposable-speculum-cordless-led>>, (dated 2014) 2 pages.
 ER-SPEC Single-use Vaginal Specula with Built-In LED-Use Light Source, OBP Medical Inc. [online] [retrieved May 1, 2014]. Retrieved from the Internet: <URL: <https://obpmedical.com/product/er-spec/>>. (dated 2014) 3 pages.
 ER-SPEC® Single-Use Vaginal Speculum with Built-In Light Source, OBP Medical Inc. (brochure) (dated Apr. 16, 2014) 2 pages.
 ER-SPEC, Tired of Search for a Light Source?, OBP Medical Inc. (Rep Brochure) (Feb. 2012 revision) 2 pages.
 ER-SPEC Presentation, OBP Medical (dated Apr. 16, 2014), 12 pages.
 ER-SPEC® User Manual, OBP Medical (dated Jun. 27, 2013), 10 pages.
 Office Action from U.S. Appl. No. 13/839,205 dated Dec. 19, 2014.
 Restriction Requirement from U.S. Appl. No. 29/495,181 dated Aug. 14, 2015.
 Notice of Allowance from U.S. Appl. No. 13/839,205 dated Dec. 16, 2015.
 Notice of Allowance from U.S. Appl. No. 29/495,181 dated Nov. 20, 2015.

* cited by examiner



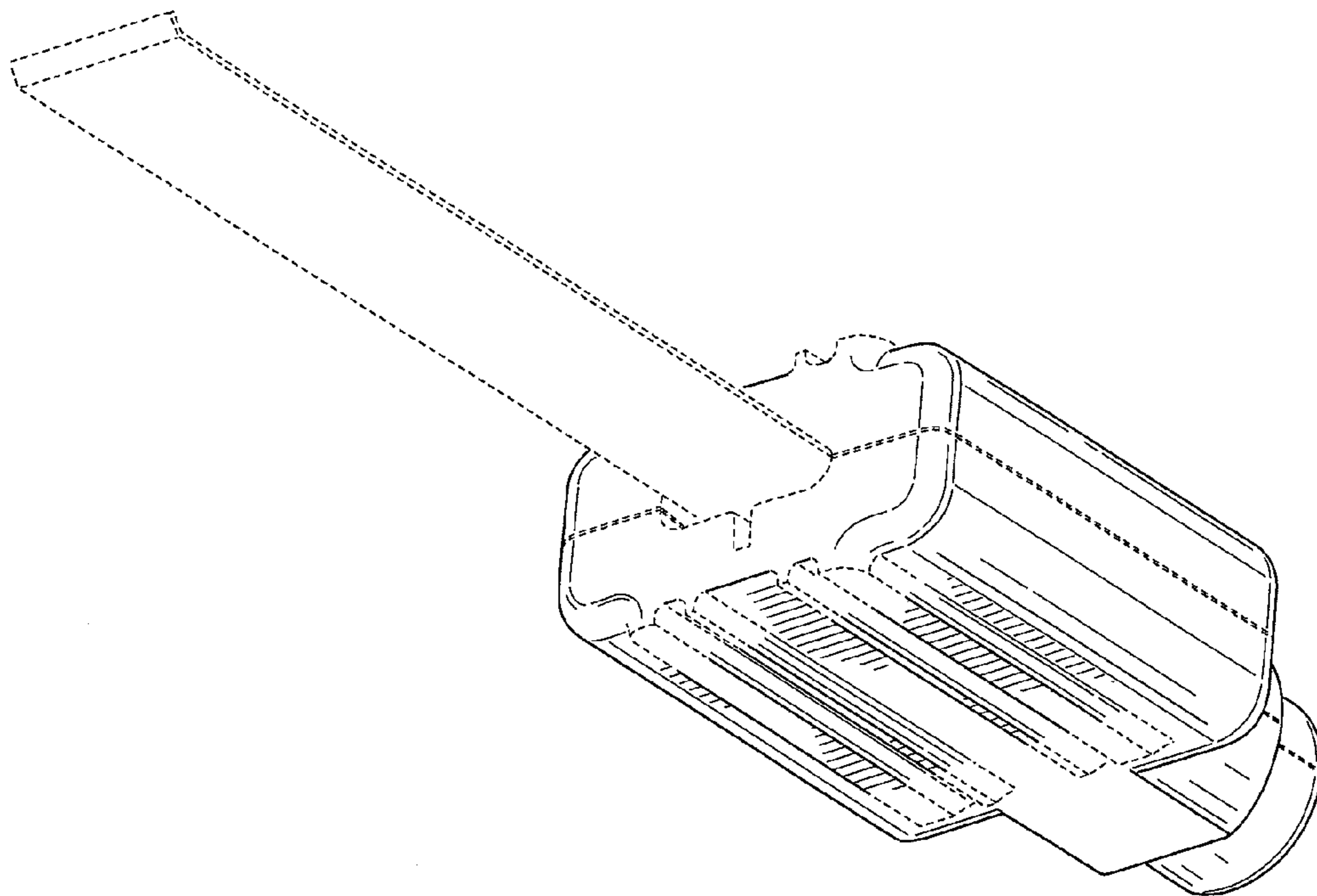


FIG. 2

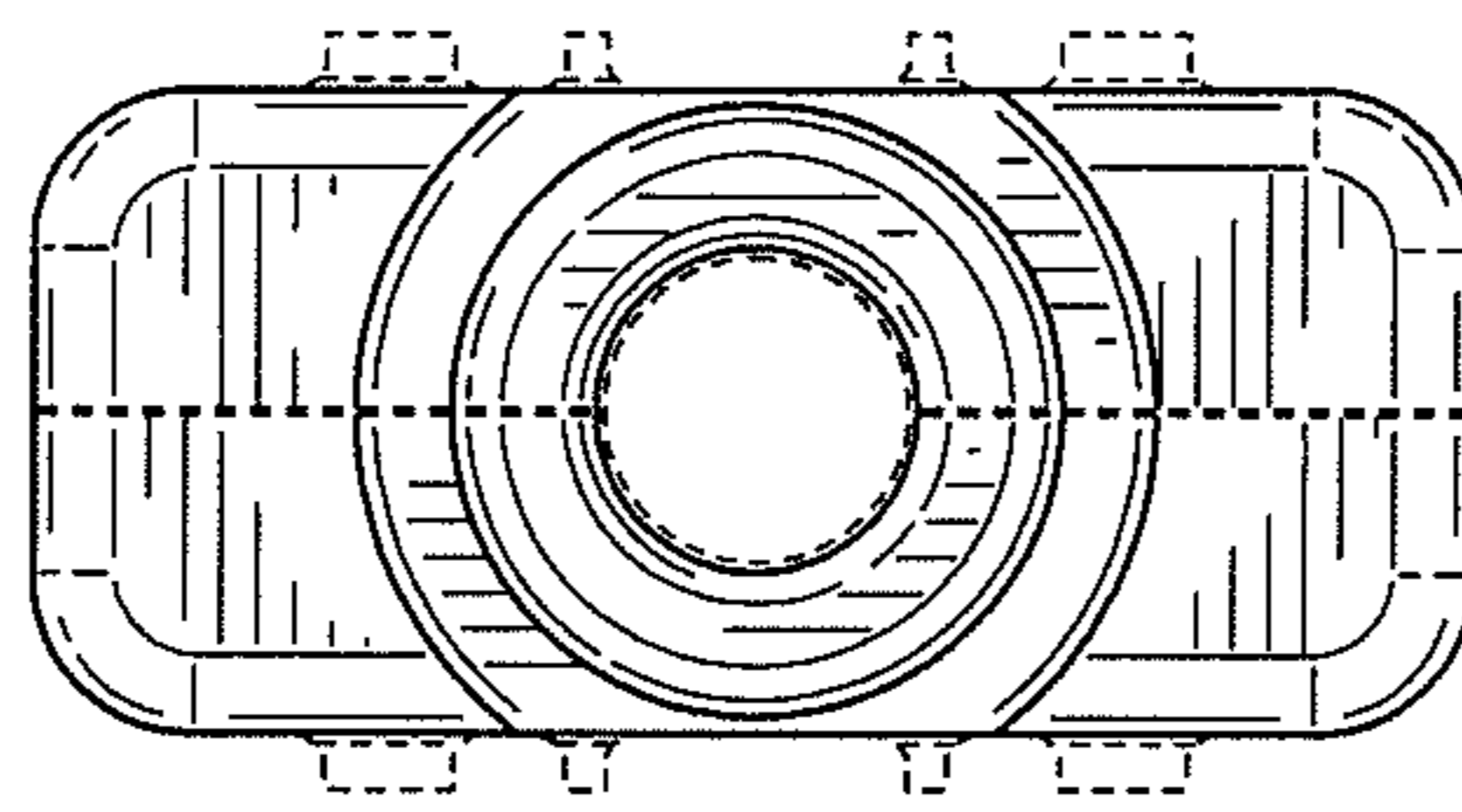


FIG. 3

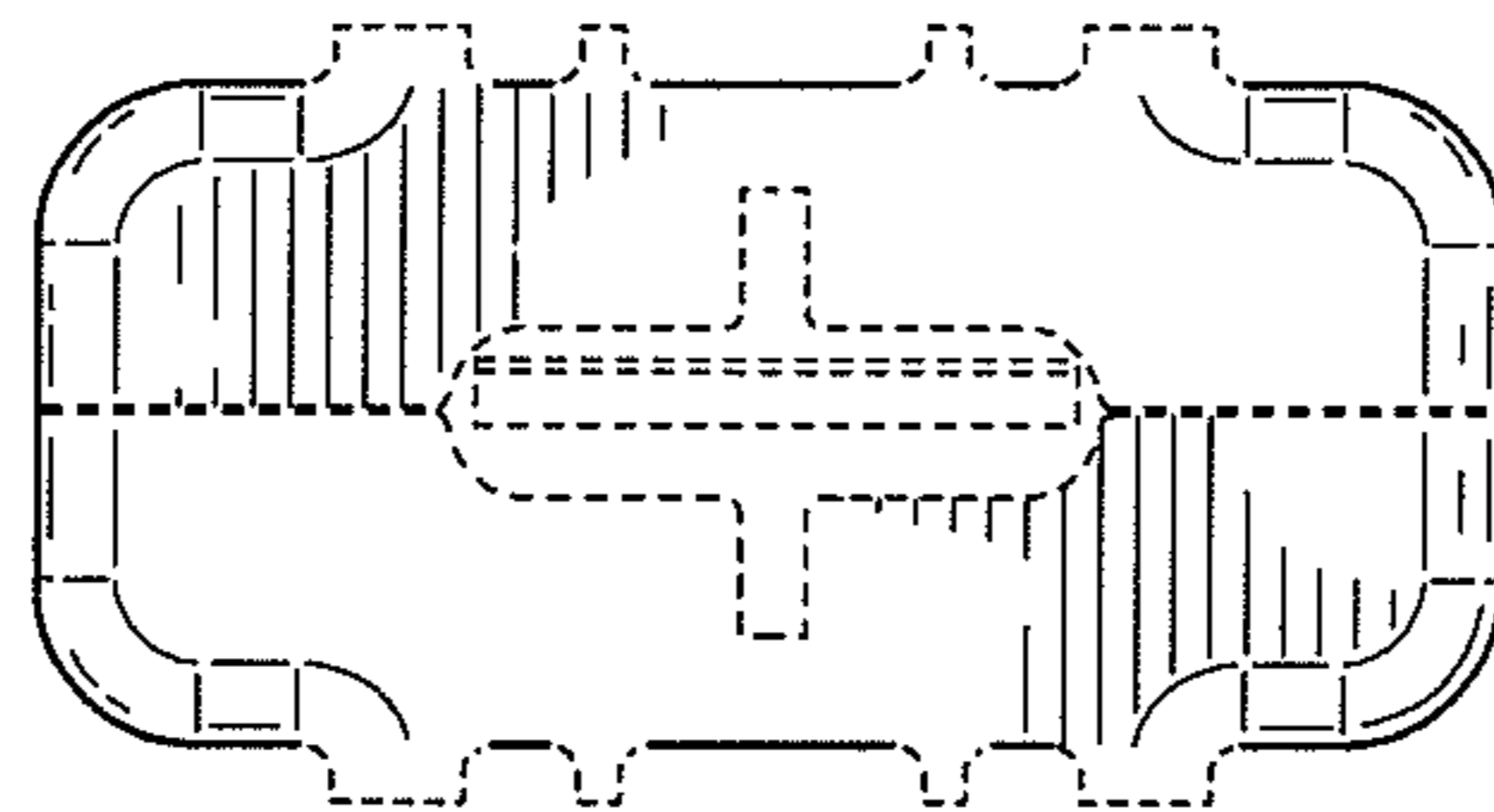


FIG. 4

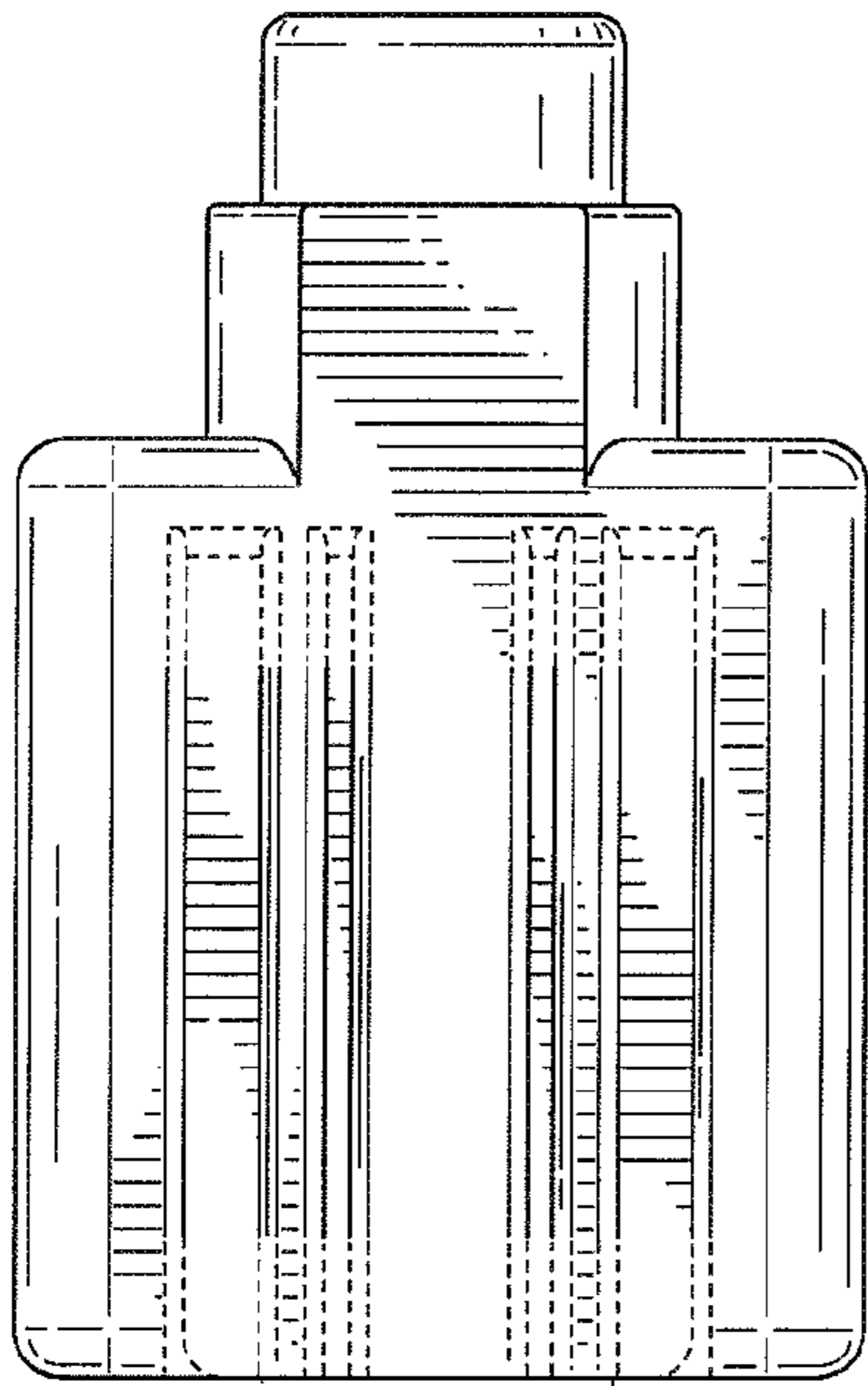


FIG. 5

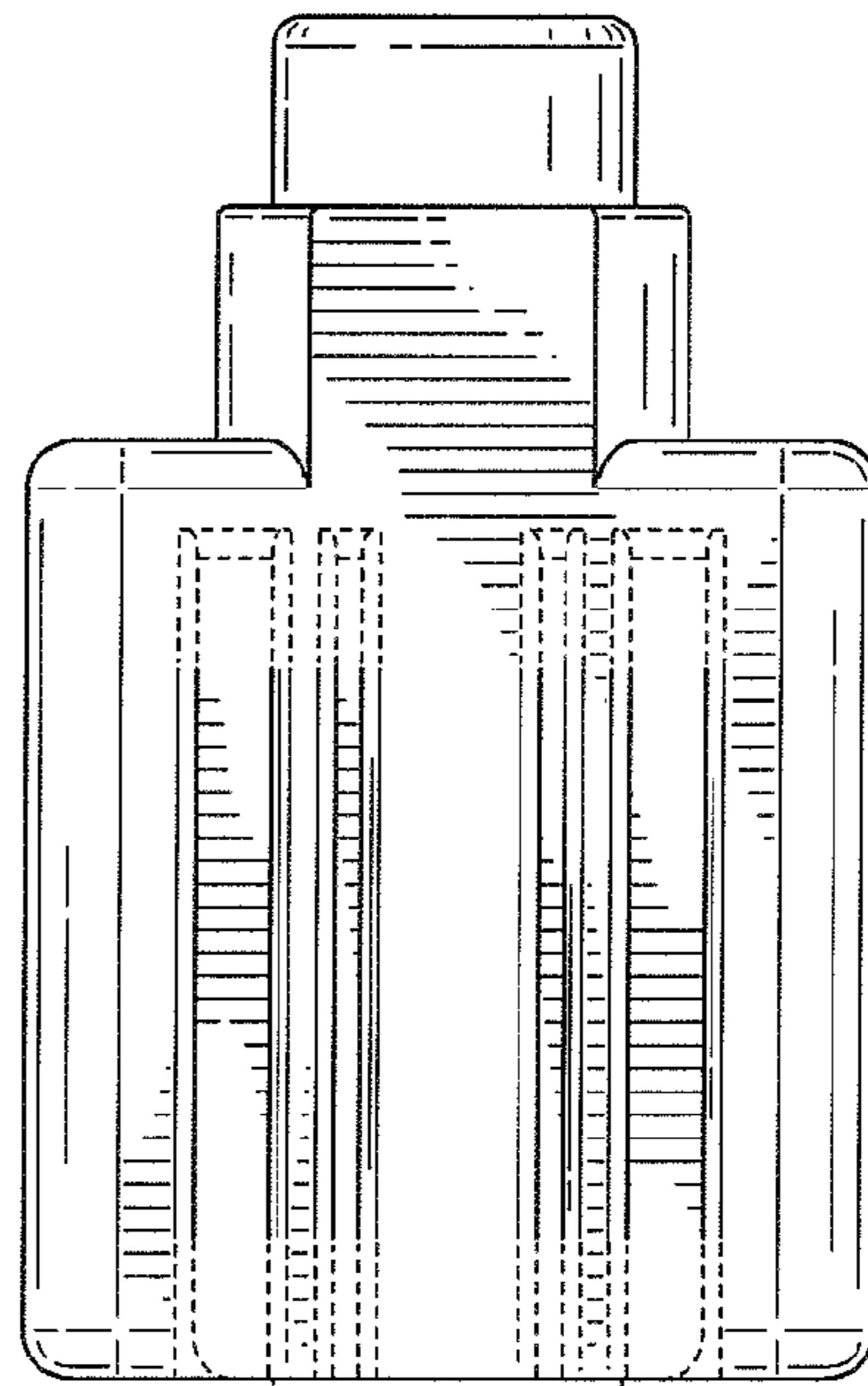


FIG. 6

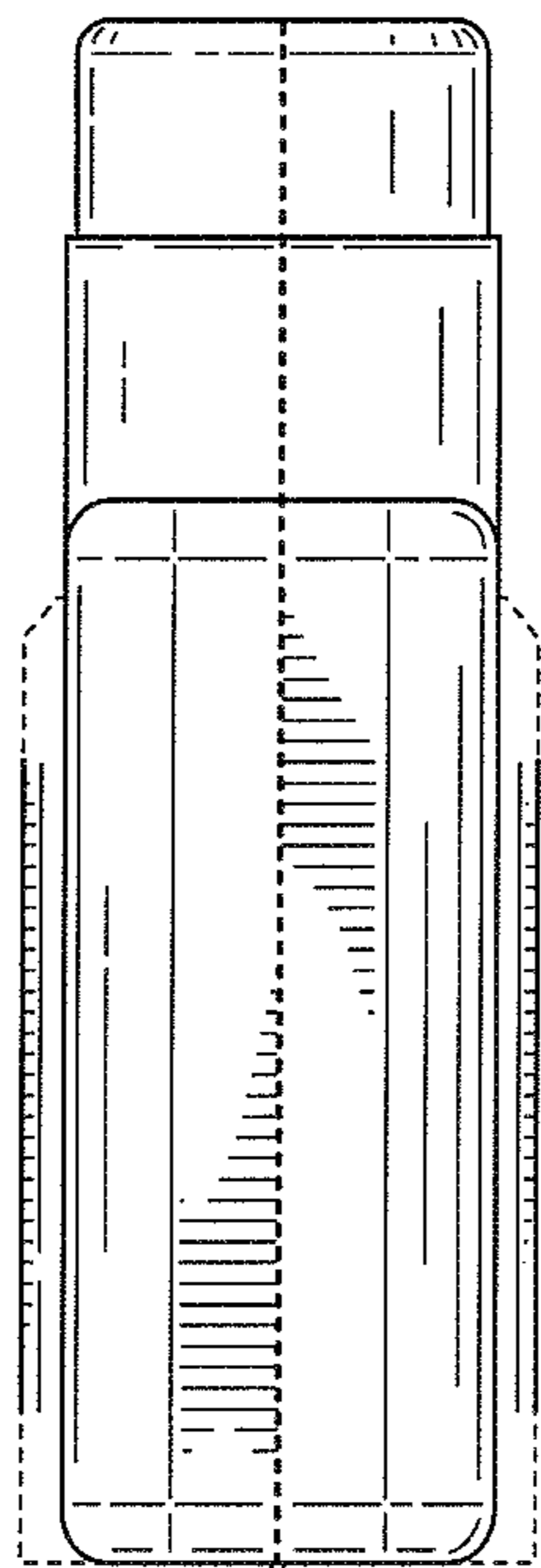


FIG. 7

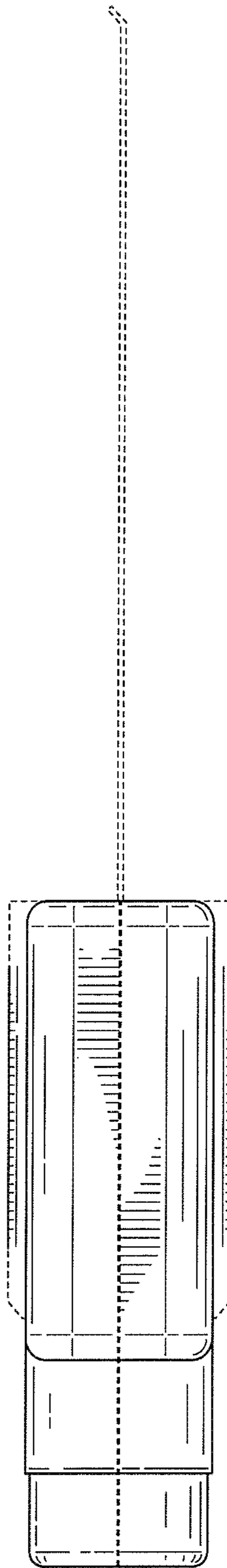


FIG. 8

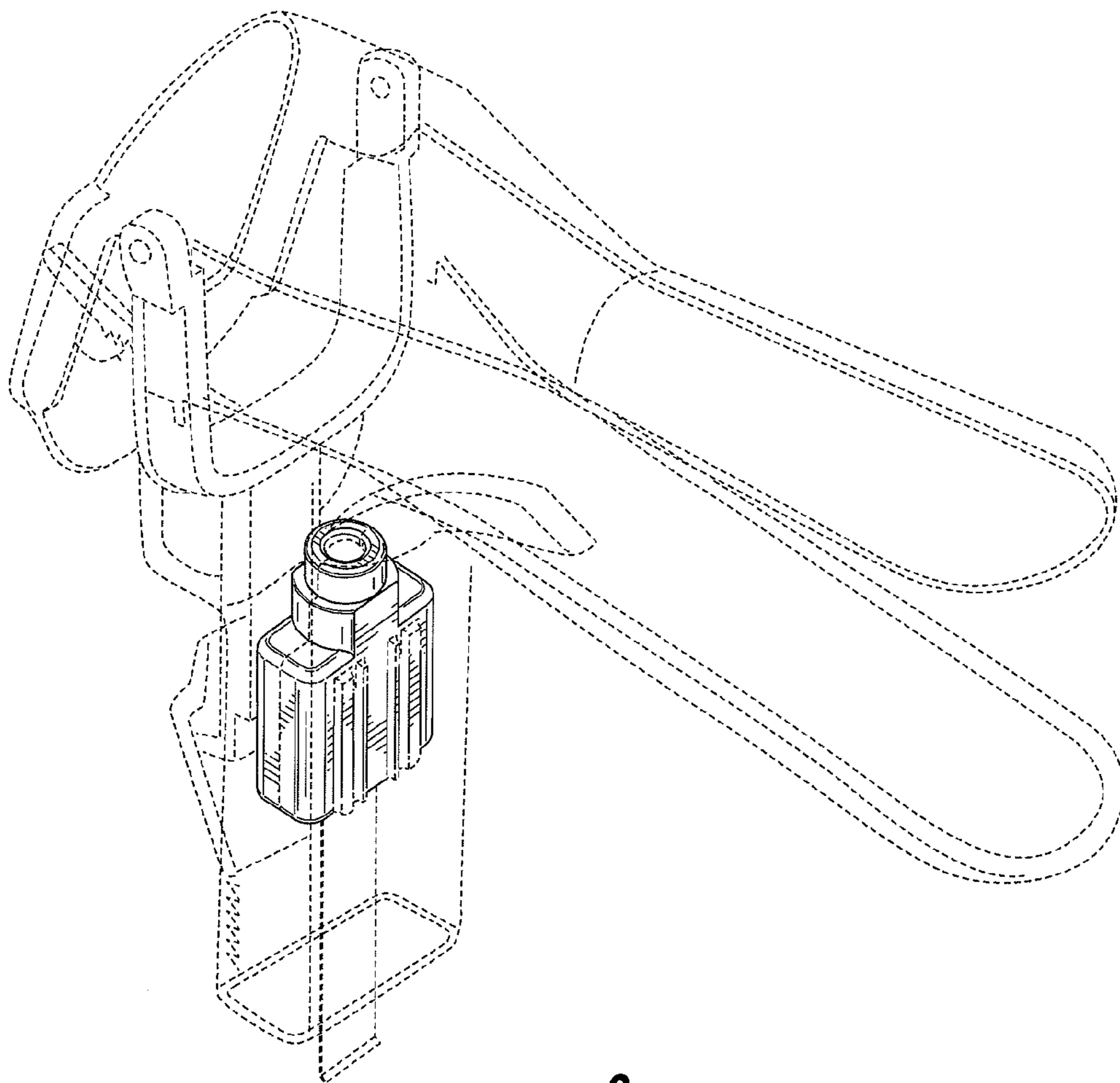


FIG. 9

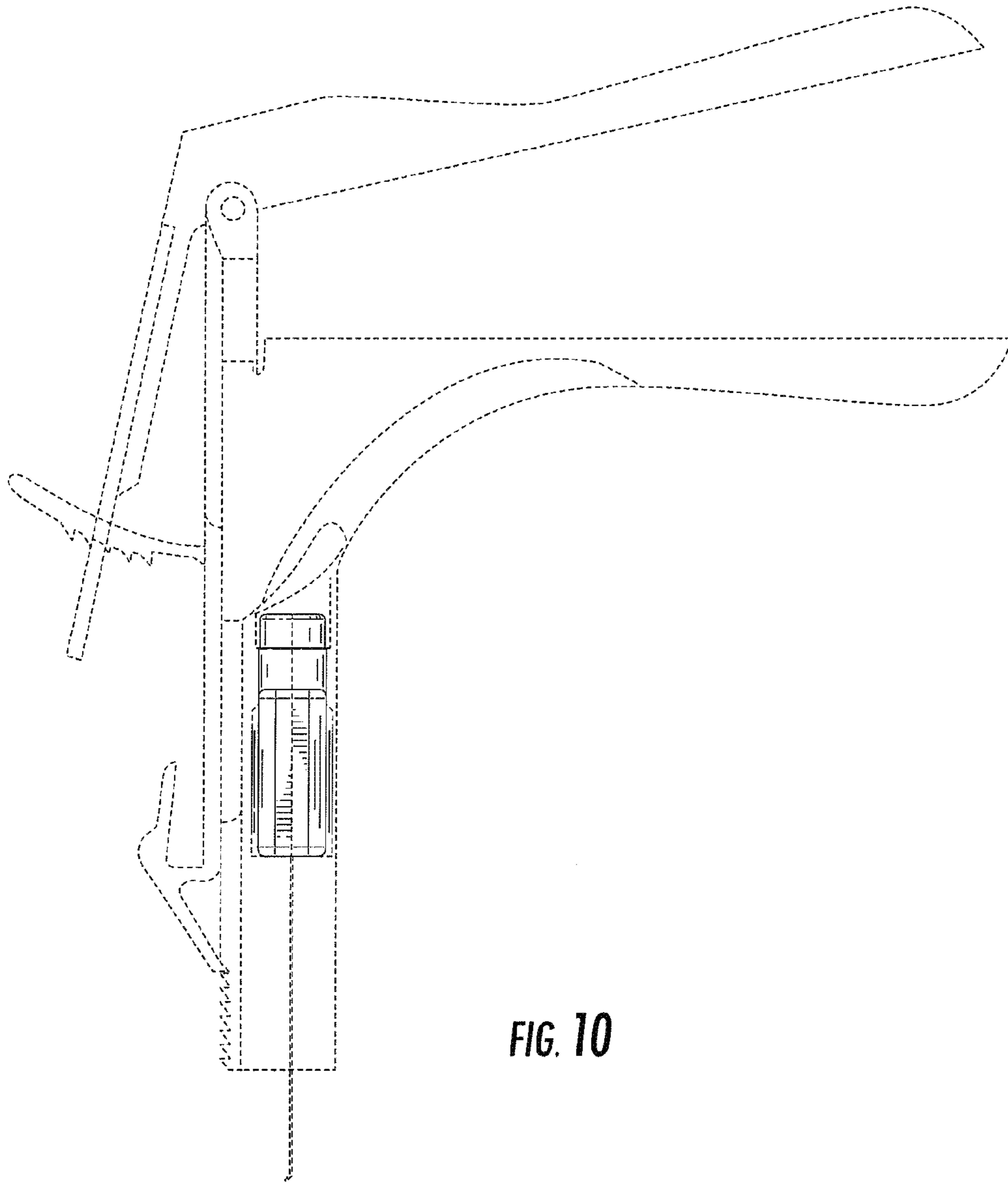
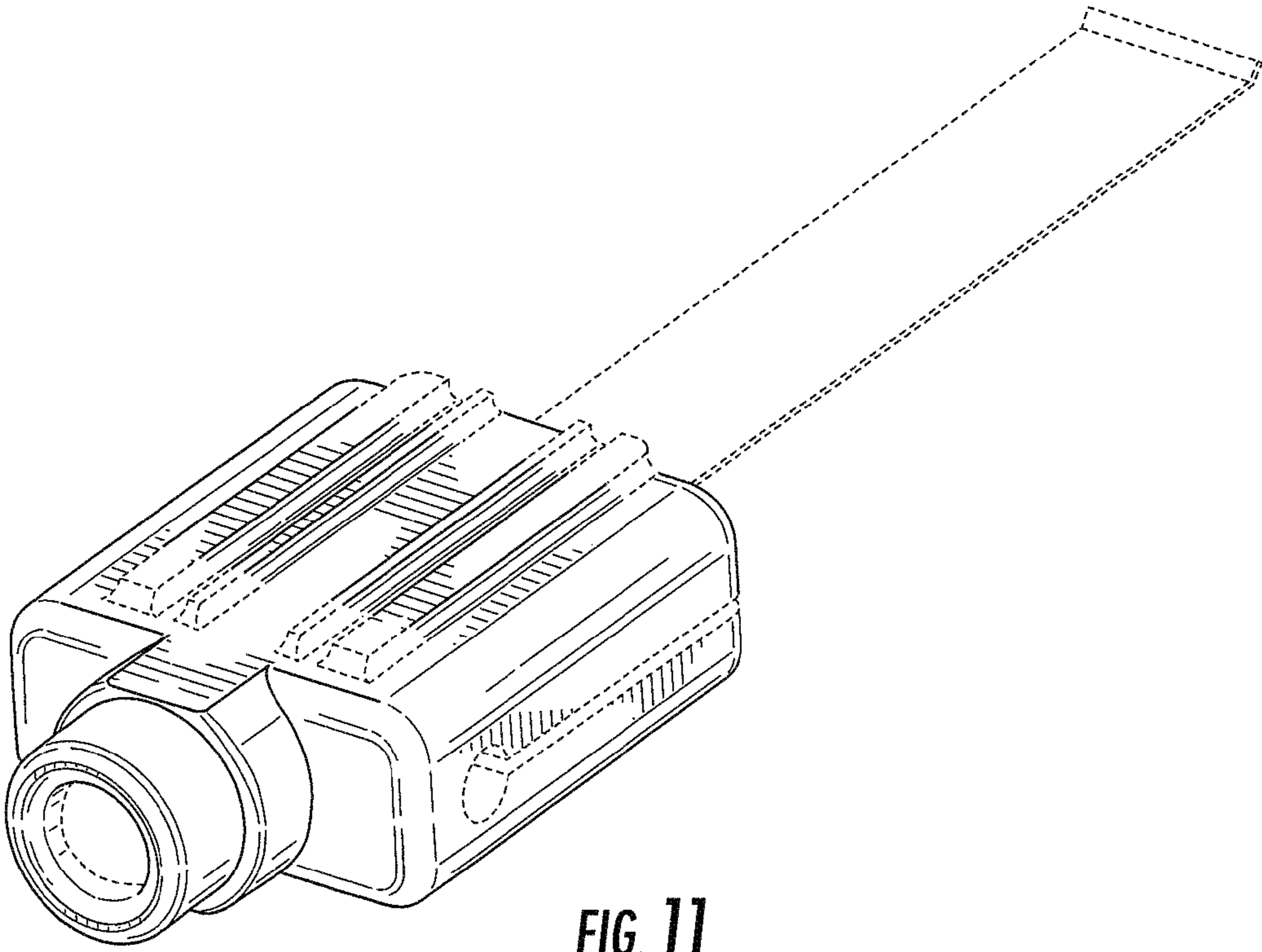


FIG. 10



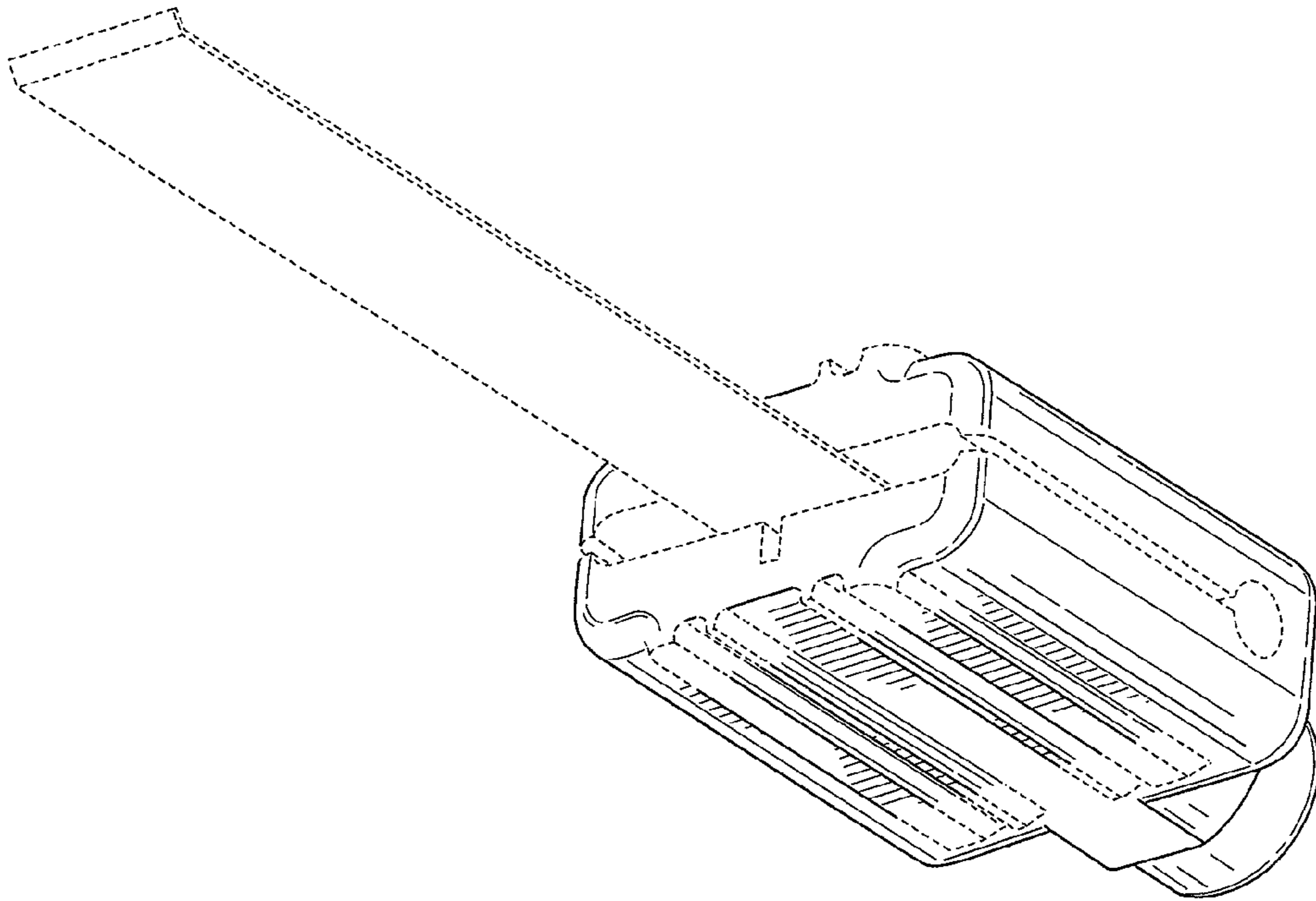


FIG. 12

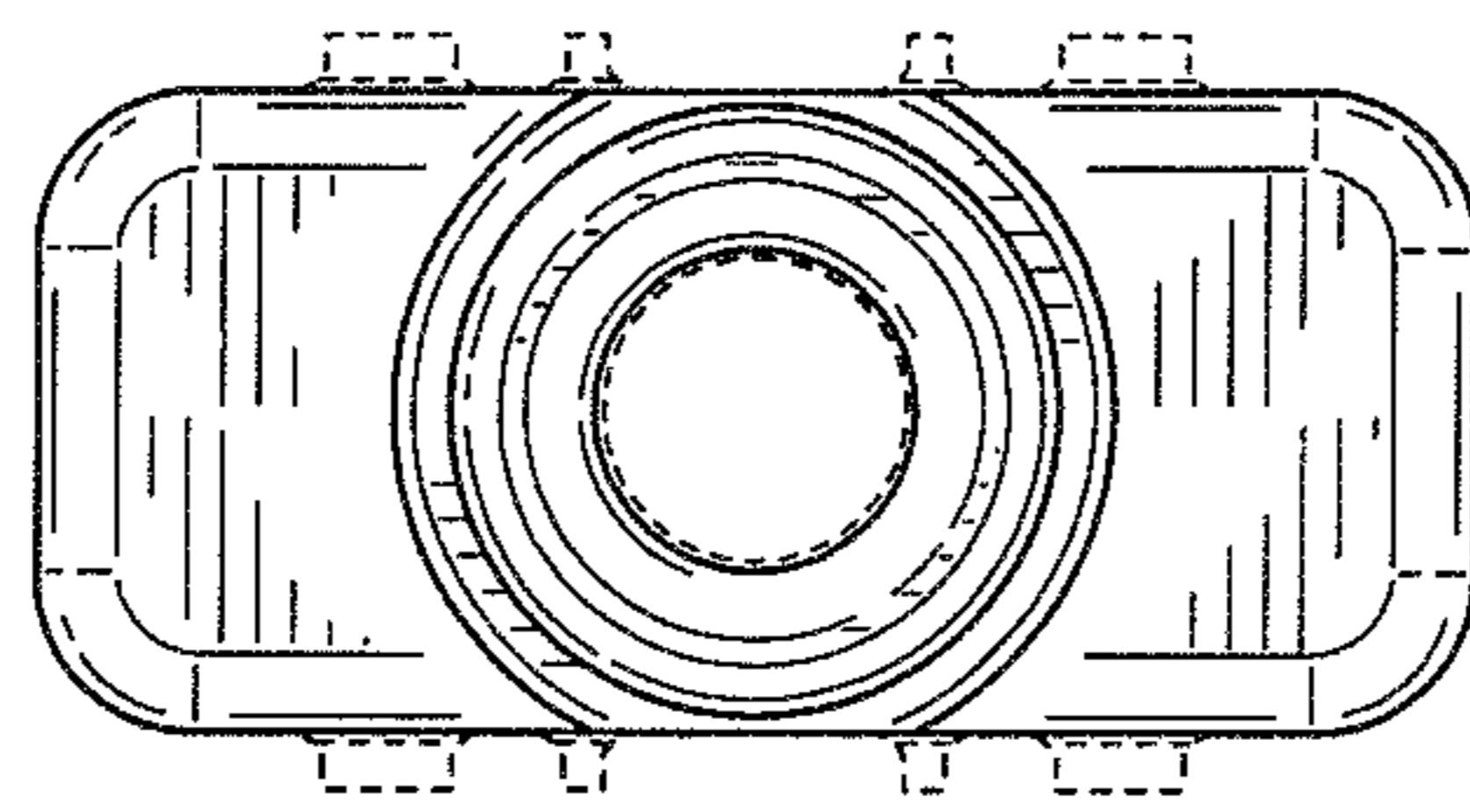


FIG. 13

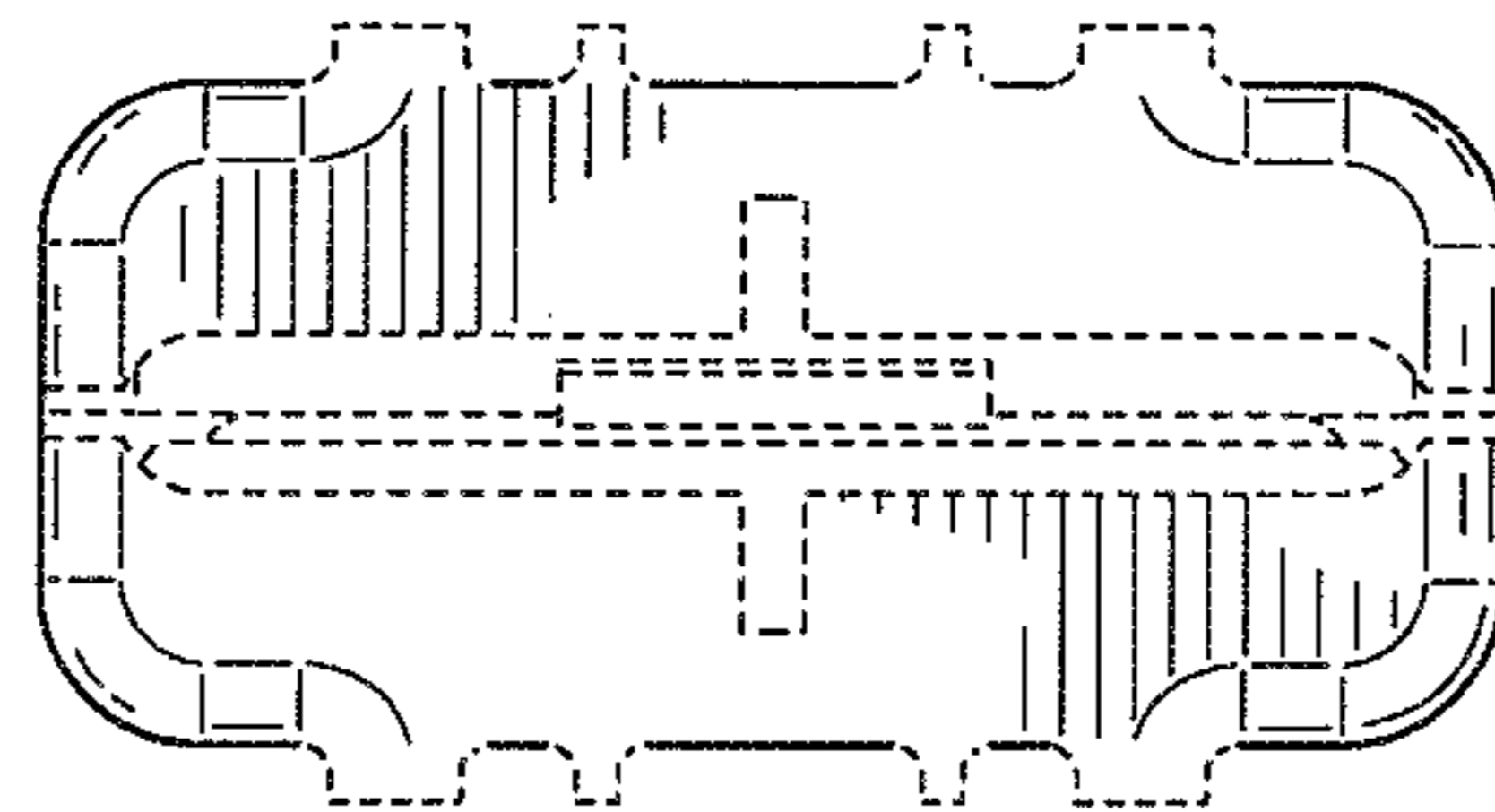


FIG. 14

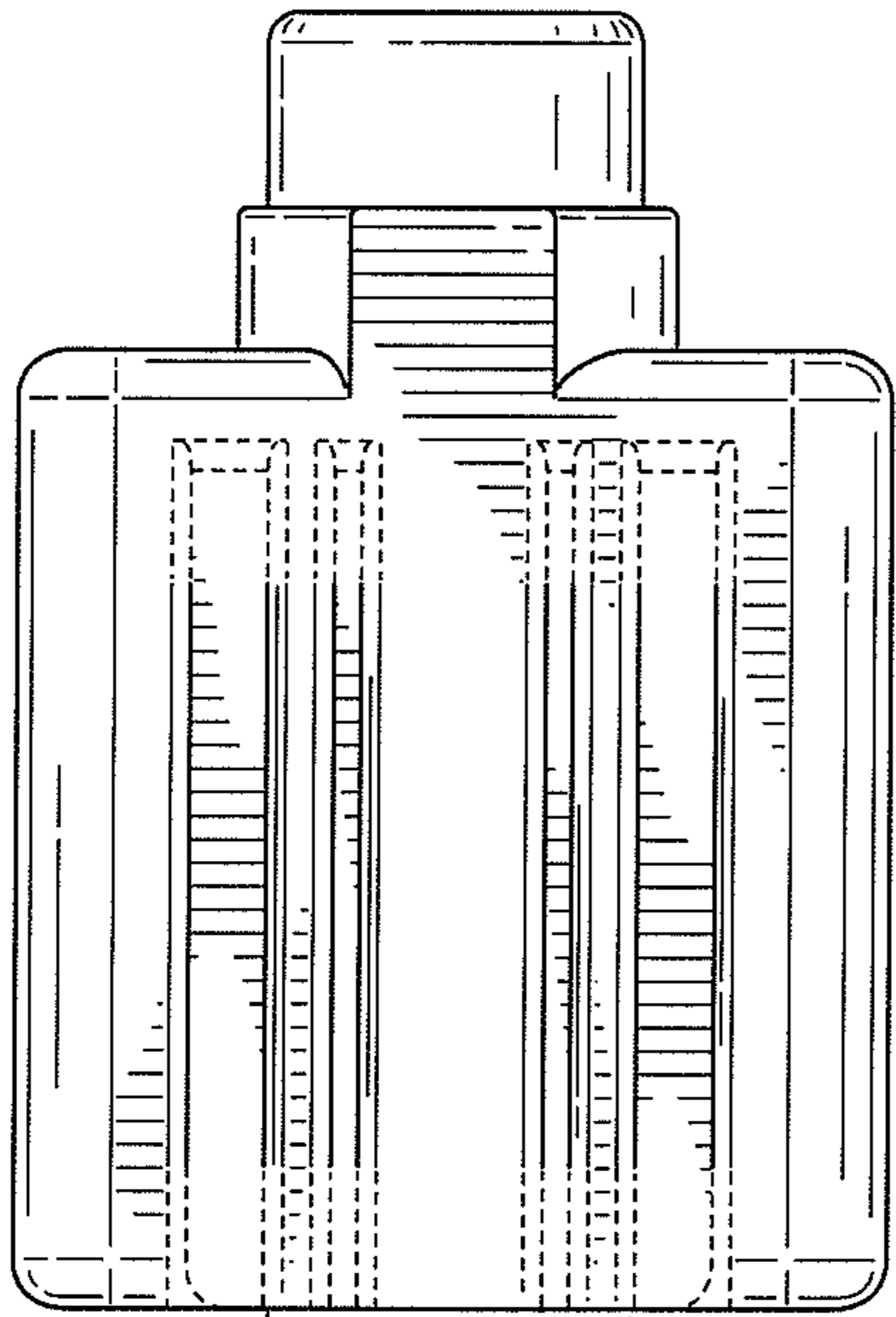


FIG. 15

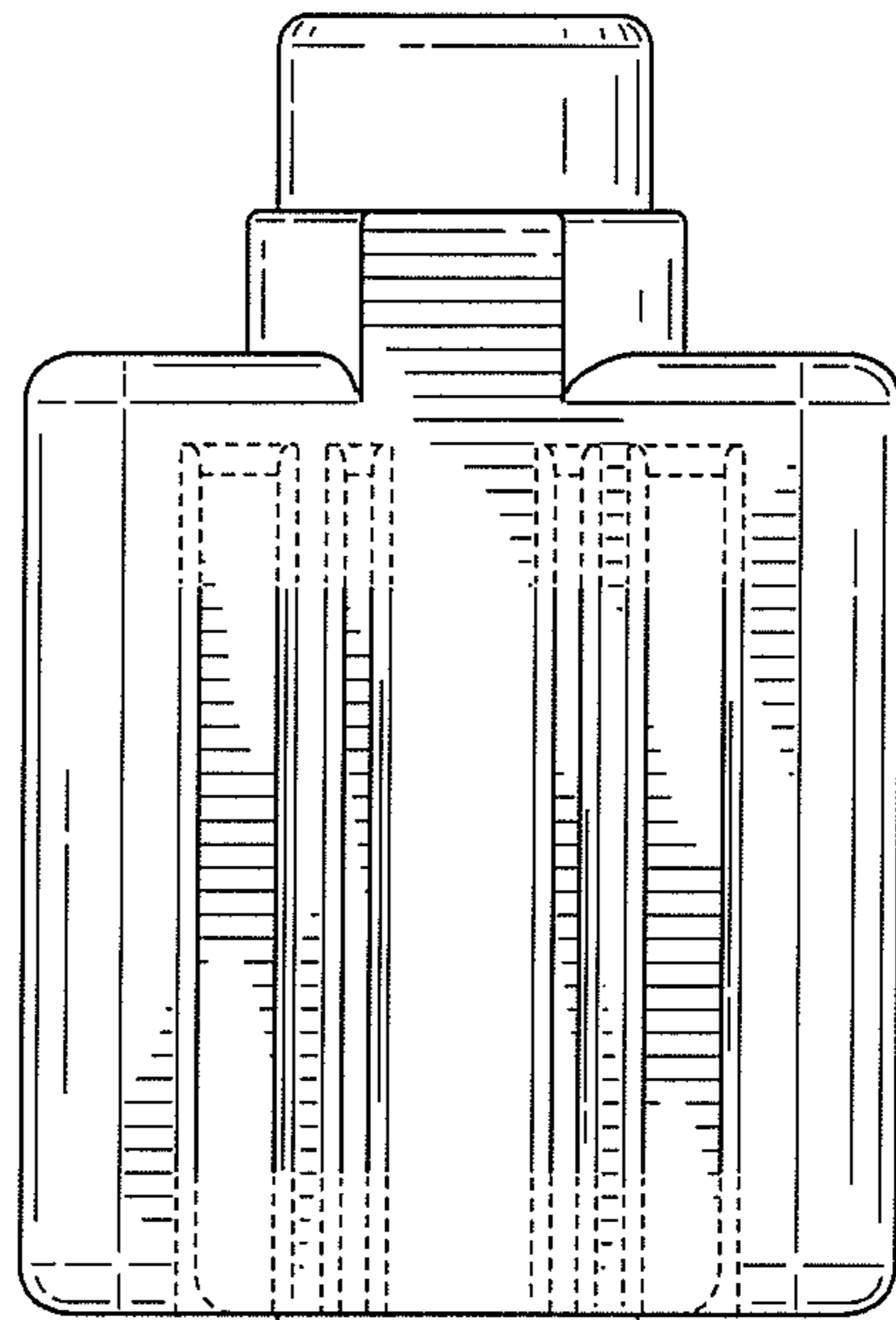


FIG. 16

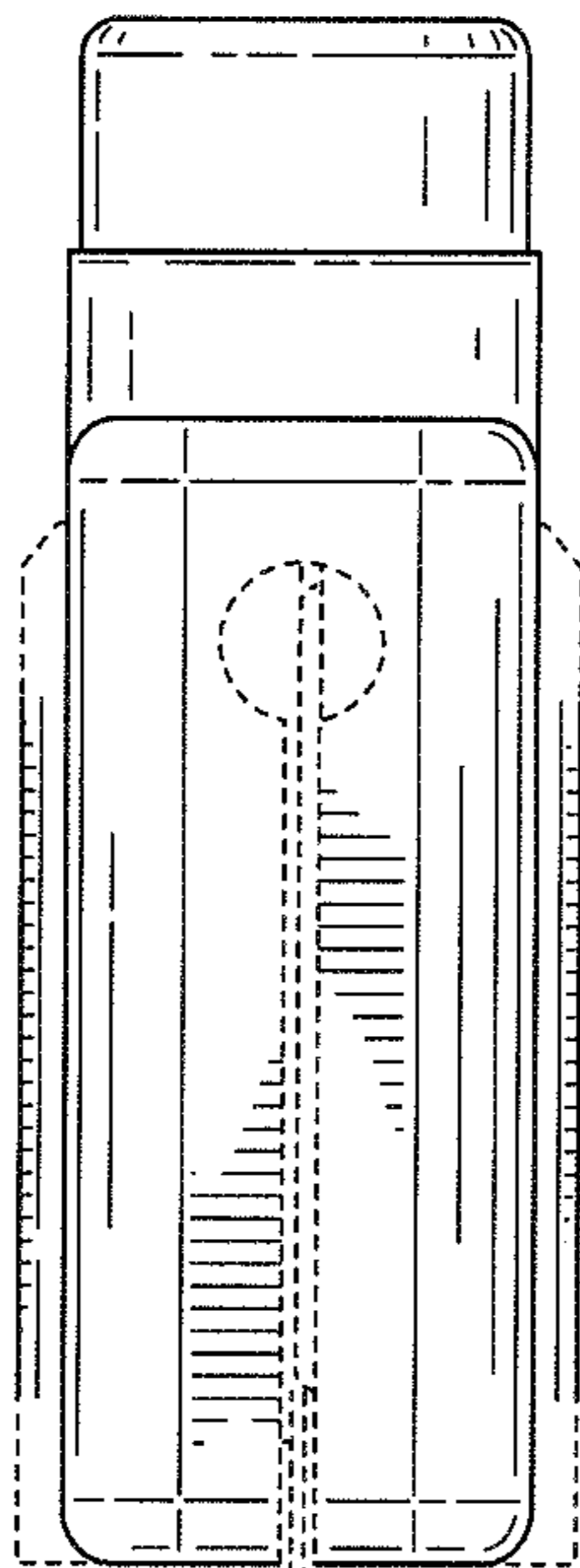


FIG. 17

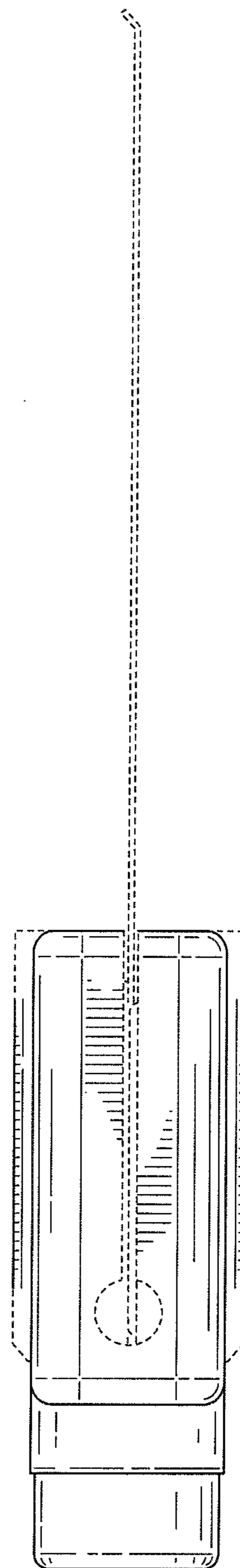


FIG. 18

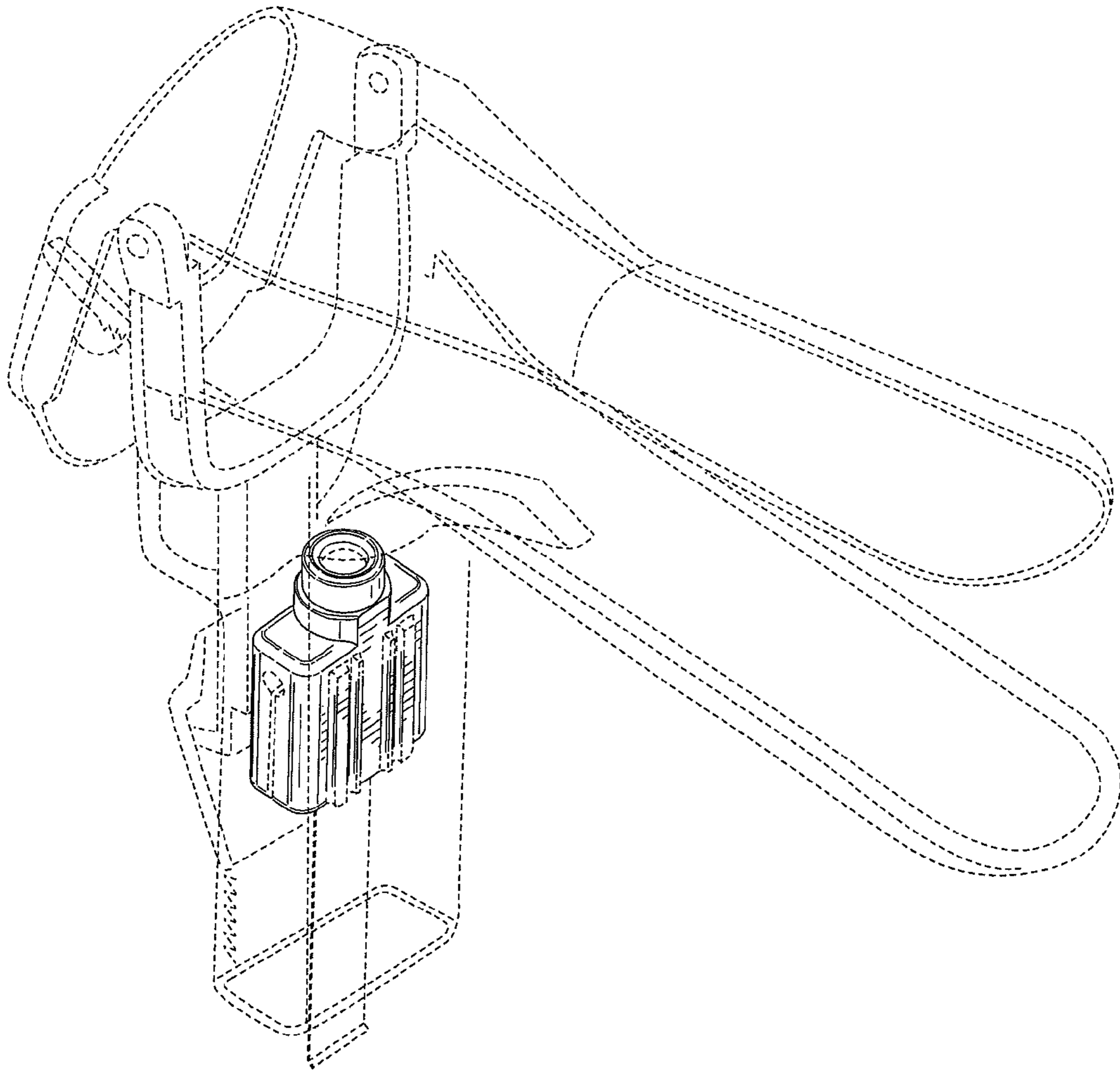


FIG. 19

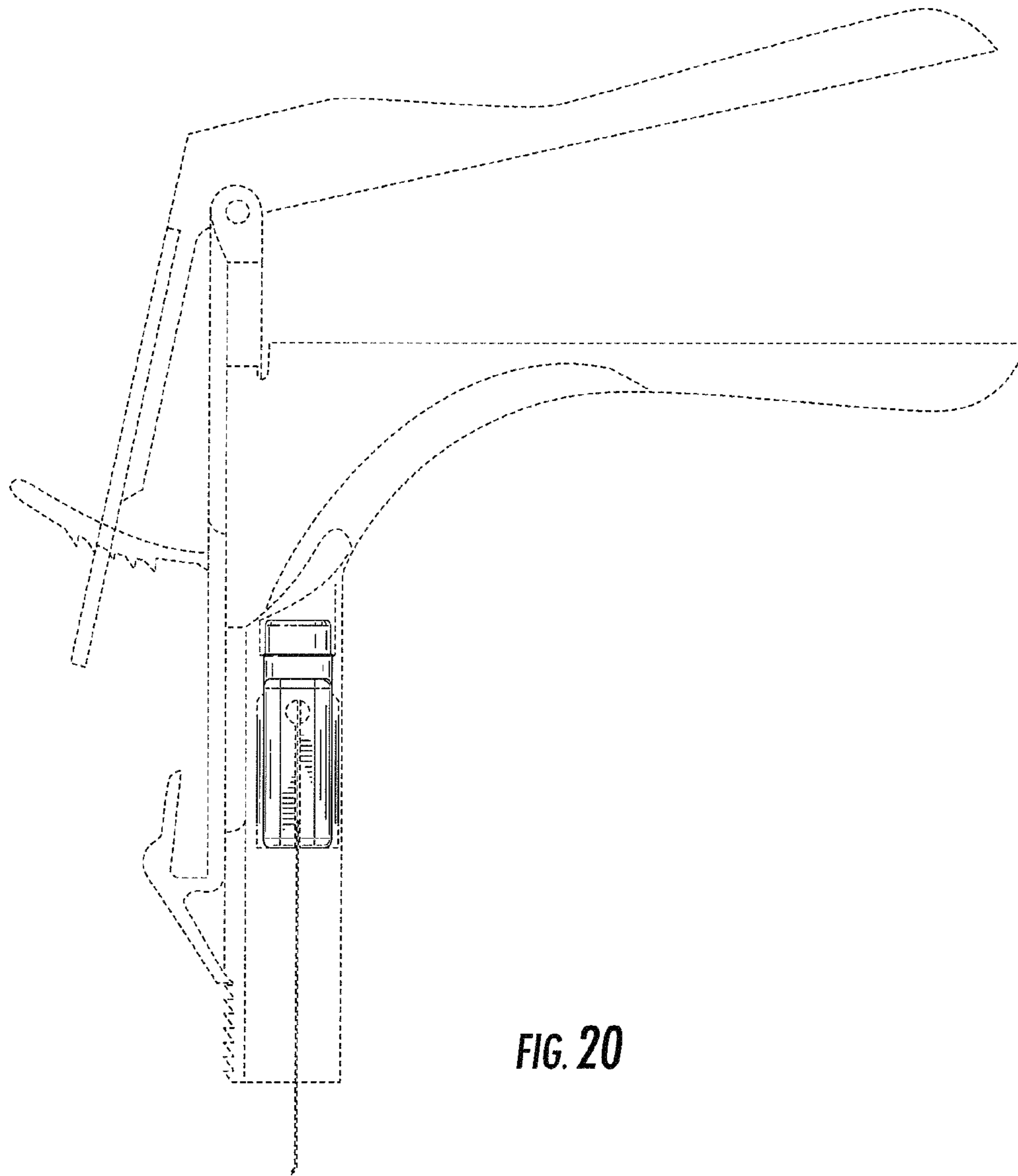


FIG. 20