



US00D759867S

(12) **United States Design Patent**
Grandadam

(10) **Patent No.:** **US D759,867 S**
(45) **Date of Patent:** **** Jun. 21, 2016**

(54) **KEYCHAIN LIGHT**

(71) Applicant: **Cody Grandadam**, Peru, IL (US)

(72) Inventor: **Cody Grandadam**, Peru, IL (US)

(**) Term: **15 Years**

(21) Appl. No.: **29/528,762**

(22) Filed: **Jun. 1, 2015**

(51) **LOC (10) Cl.** **26-02**

(52) **U.S. Cl.**
USPC **D26/37**

(58) **Field of Classification Search**
USPC D26/37, 40, 38, 46, 49, 51; 362/187,
362/158, 183, 184, 194-196, 200-208,
362/253; D3/208
CPC F21L 2003/00; F21L 4/00; F21L 4/005;
F21L 4/02; F21L 4/025; F21L 4/027; F21L
4/04; F21L 4/08; F21L 2005/00; F21L 7/00;
F21L 11/00; F21L 13/00; F21L 13/04; F21L
13/08; F21L 14/02; F21L 17/00
See application file for complete search history.

D544,119 S * 6/2007 Ding D26/37
D544,388 S * 6/2007 Chisholm D10/114.2
D544,616 S * 6/2007 Chen D26/37
7,438,431 B2 * 10/2008 Ford F21V 21/0885
362/116
D593,693 S * 6/2009 Adamany D26/37
D594,148 S * 6/2009 Heselden D26/37
D624,220 S * 9/2010 Shaljian D26/38
D699,380 S * 2/2014 Weaver D26/39
D734,518 S * 7/2015 Zimmermann D26/39
D738,554 S * 9/2015 Dalton D26/38
D740,474 S * 10/2015 Pineau D26/37
D743,073 S * 11/2015 Schmidt D26/37
2003/0137833 A1 * 7/2003 Hsu A44B 15/005
362/196
2006/0176685 A1 * 8/2006 Galli F21L 4/005
362/157

* cited by examiner

Primary Examiner — Ian Simmons

Assistant Examiner — Carissa C Fitts

(74) *Attorney, Agent, or Firm* — Justin Lampel

(57) **CLAIM**

The ornamental design for a keychain light, as shown and described.

DESCRIPTION

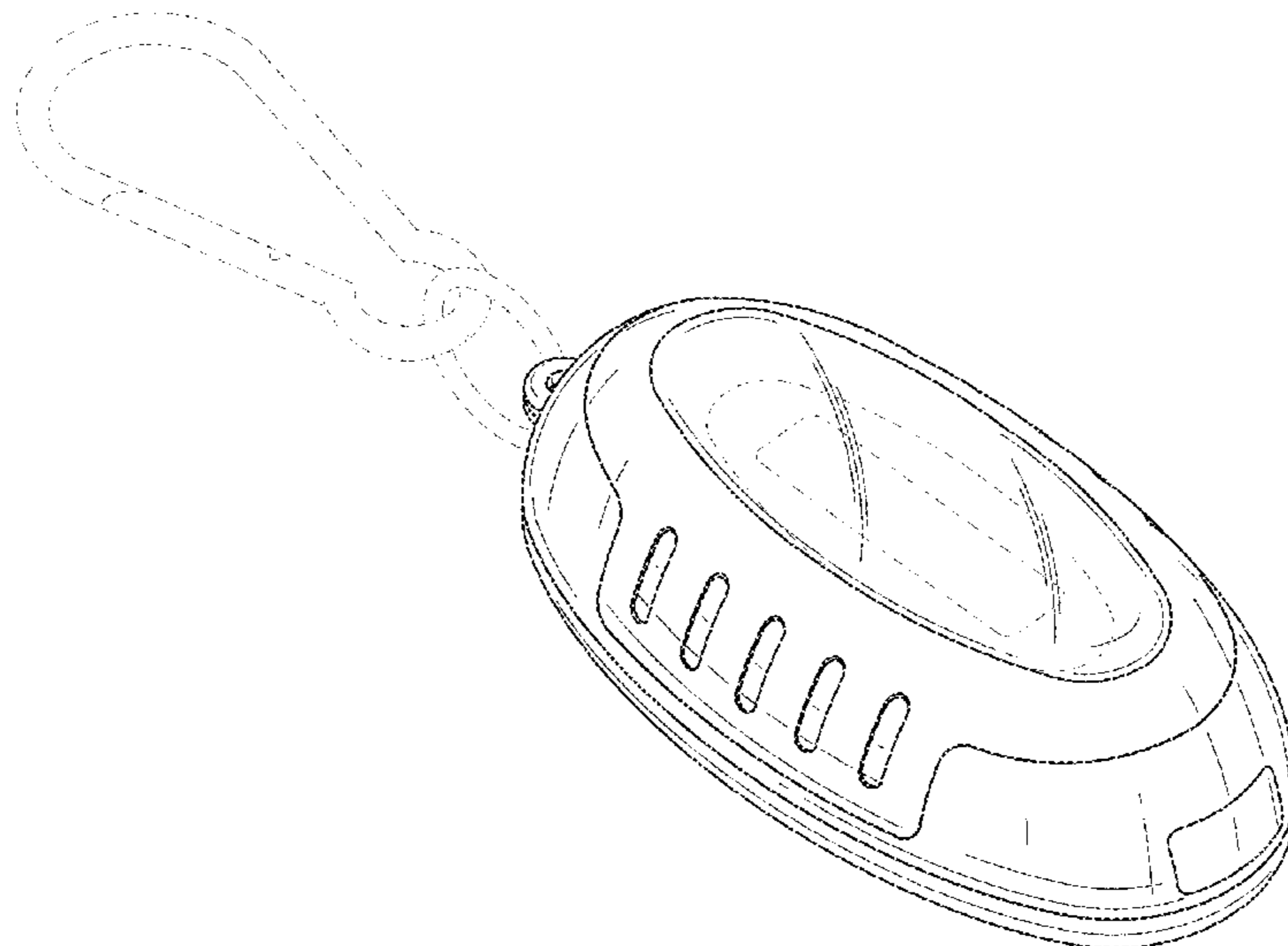
FIG. 1 is a perspective view of the keychain light;
FIG. 2 is a front view of the keychain light;
FIG. 3 is a back view of the keychain light;
FIG. 4 is a side view of the keychain light;
FIG. 5 is a side view of the keychain light;
FIG. 6 is a top view of the keychain light; and,
FIG. 7 is a bottom view of the keychain light.
The broken line showing of the keychain in FIG. 1 is for environmental purposes only. All other broken lines represent unclaimed portions of the article. The broken lines form no part of the claimed design.

1 Claim, 4 Drawing Sheets

(56) **References Cited**

U.S. PATENT DOCUMENTS

D380,896 S * 7/1997 Grant D3/208
D448,505 S * 9/2001 Dalton D26/37
D455,854 S * 4/2002 Smith D26/37
D478,720 S * 8/2003 Lo D3/209
D484,625 S * 12/2003 Chang D26/37
D488,921 S * 4/2004 Zhang D3/209
D495,073 S * 8/2004 Kumthampinij D26/37
D497,019 S * 10/2004 Lee D26/37
D505,782 S * 6/2005 Chen D3/209
D514,241 S * 1/2006 Franks D10/111
D522,234 S * 6/2006 Murphy D3/209
D538,192 S * 3/2007 Martin D10/106.1
D543,297 S * 5/2007 Osiecki D26/37



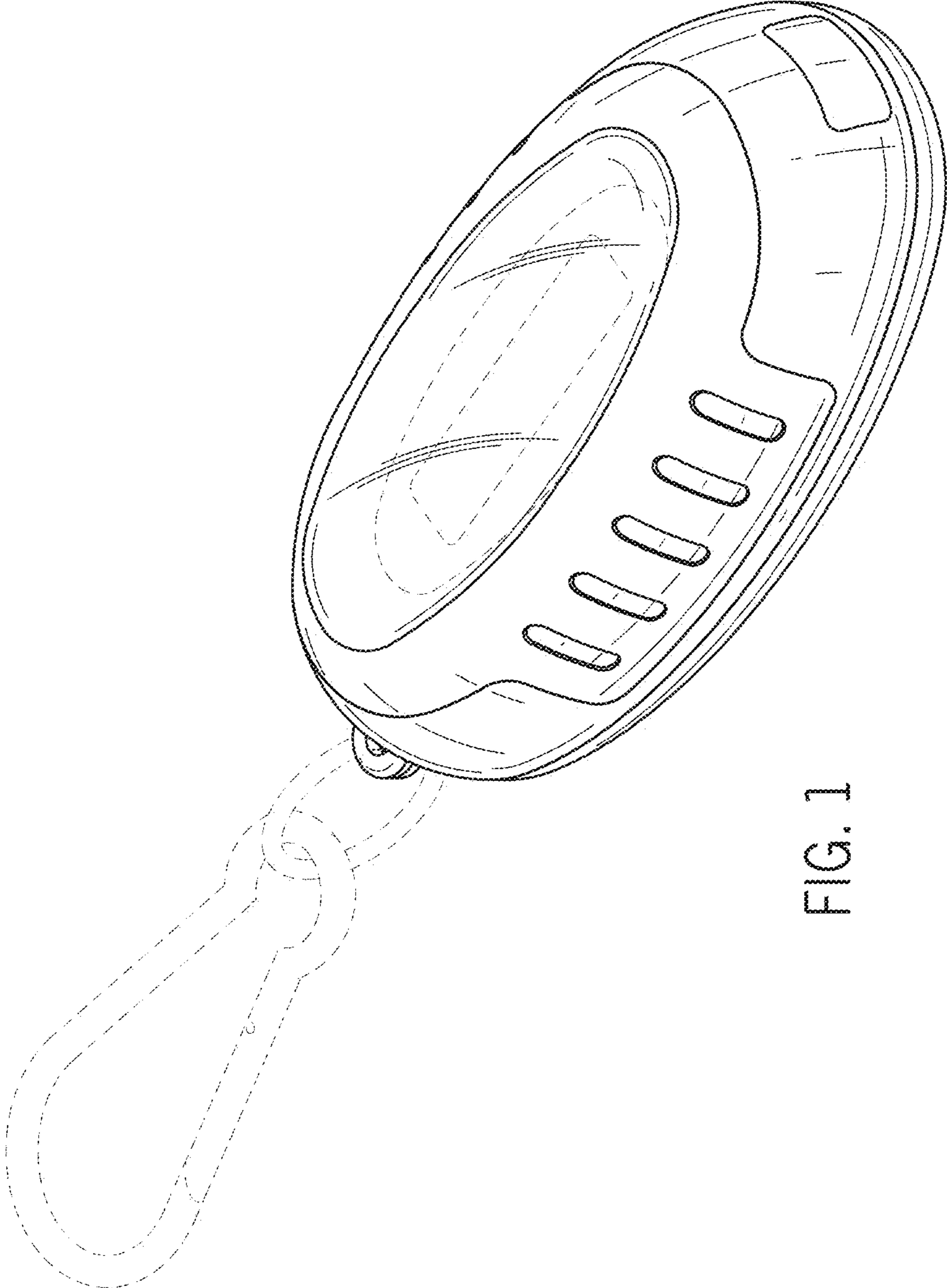


FIG. 1

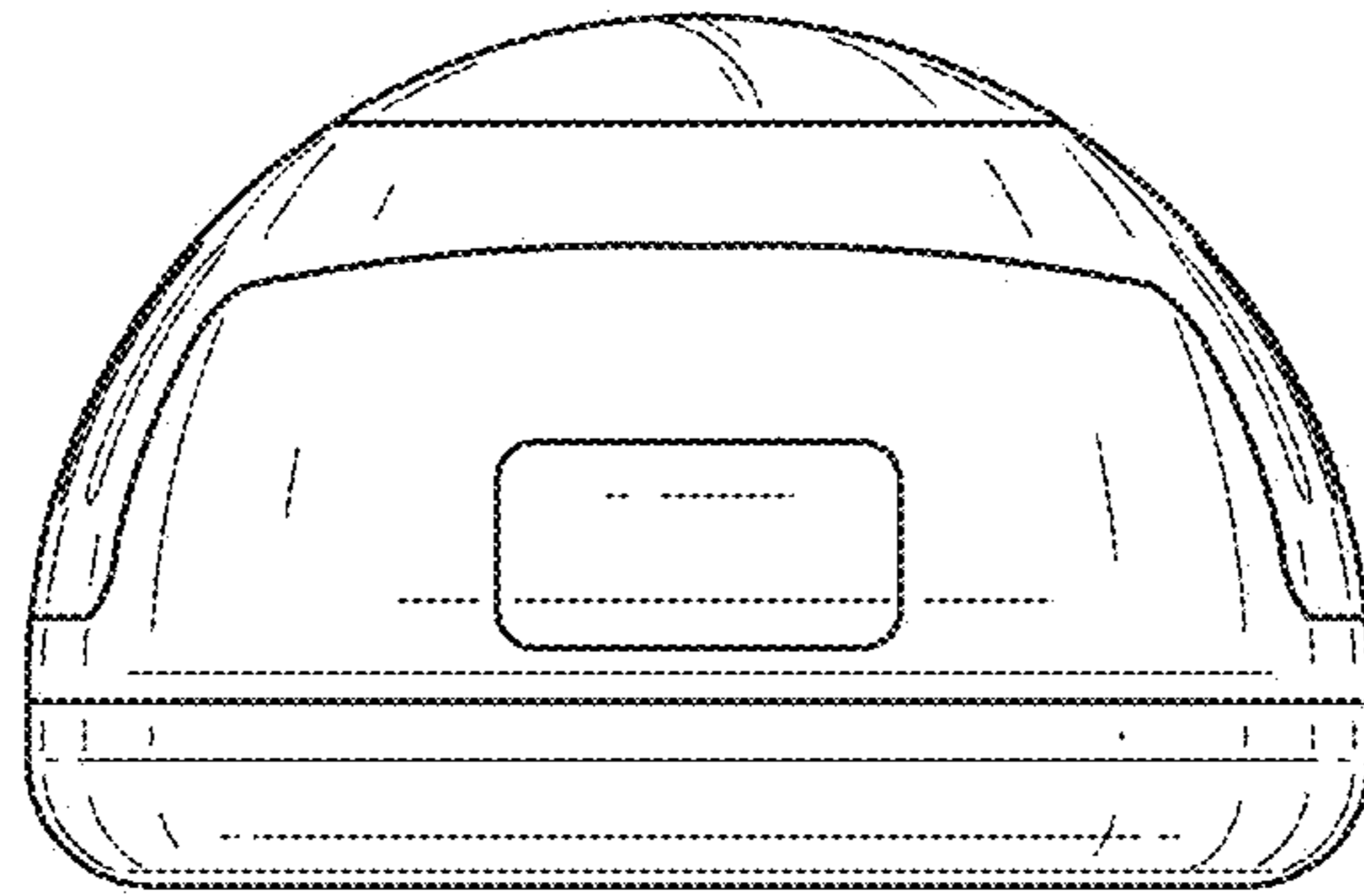


FIG. 2

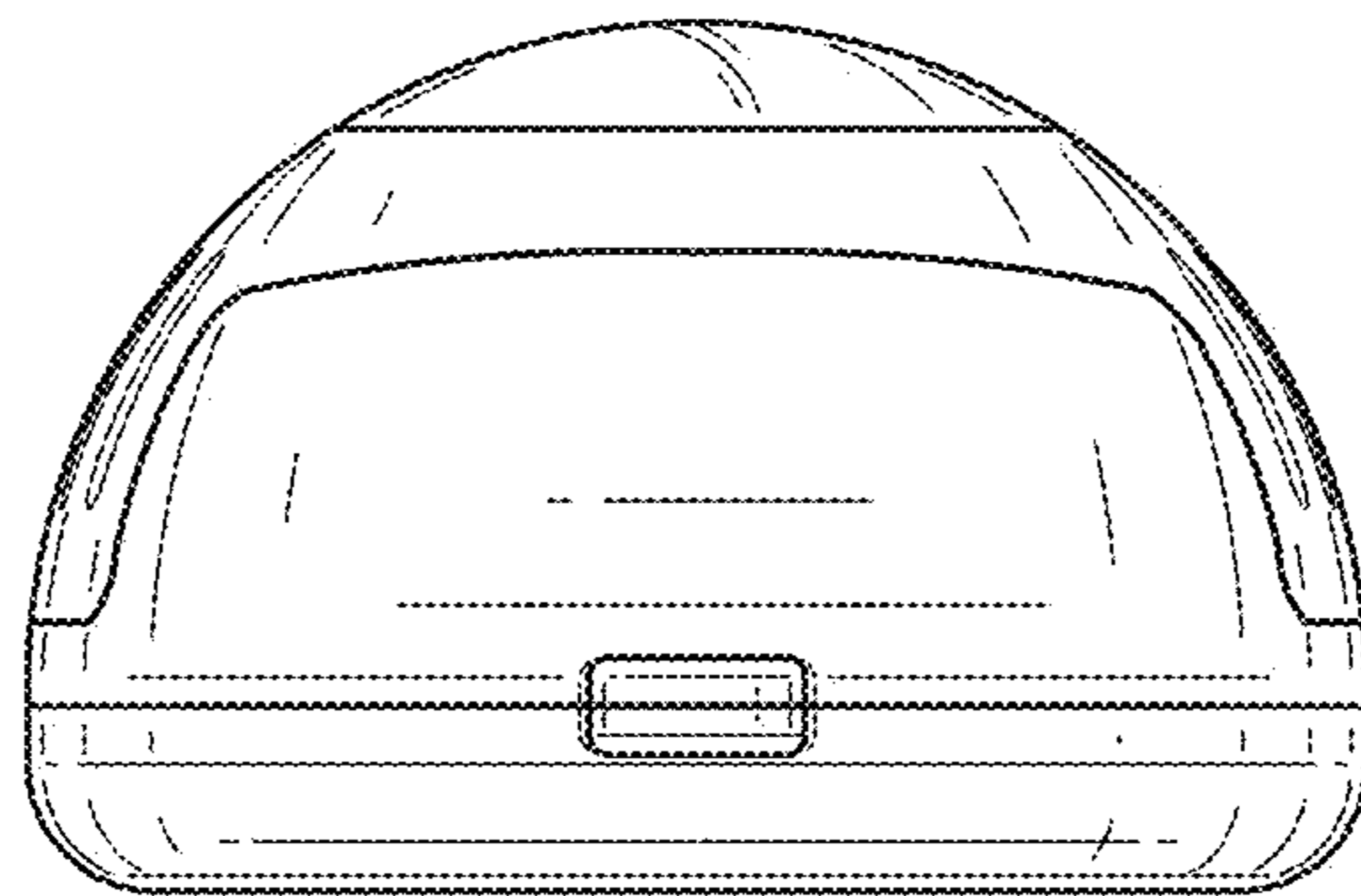


FIG. 3

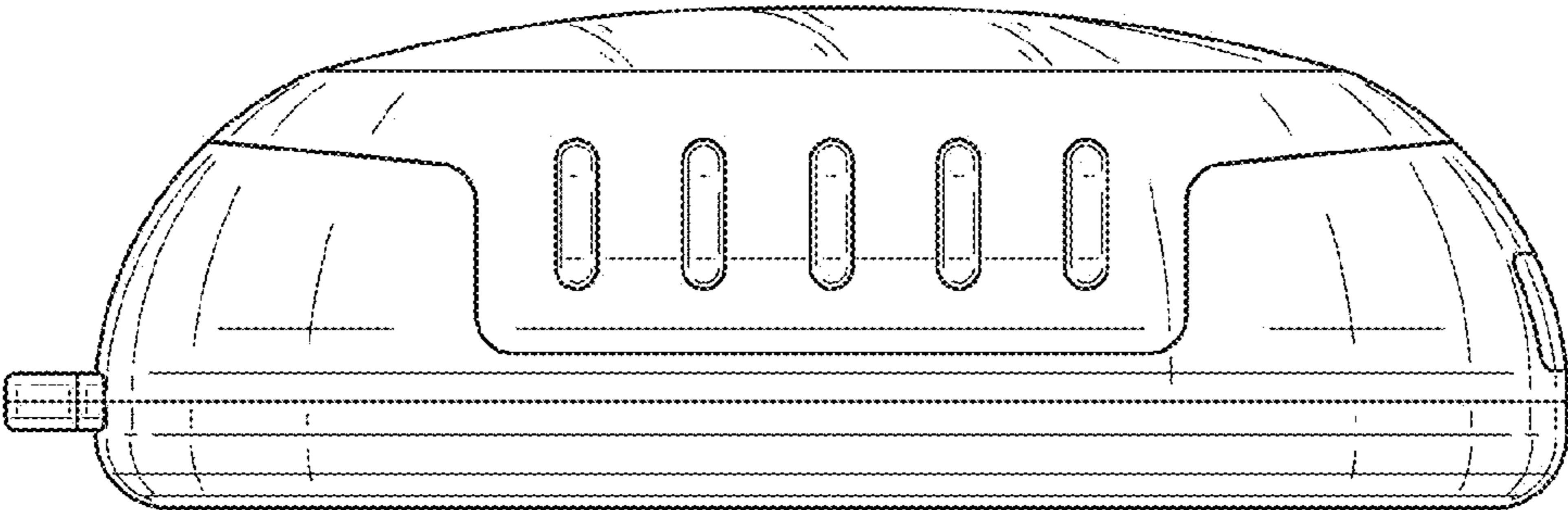


FIG. 4

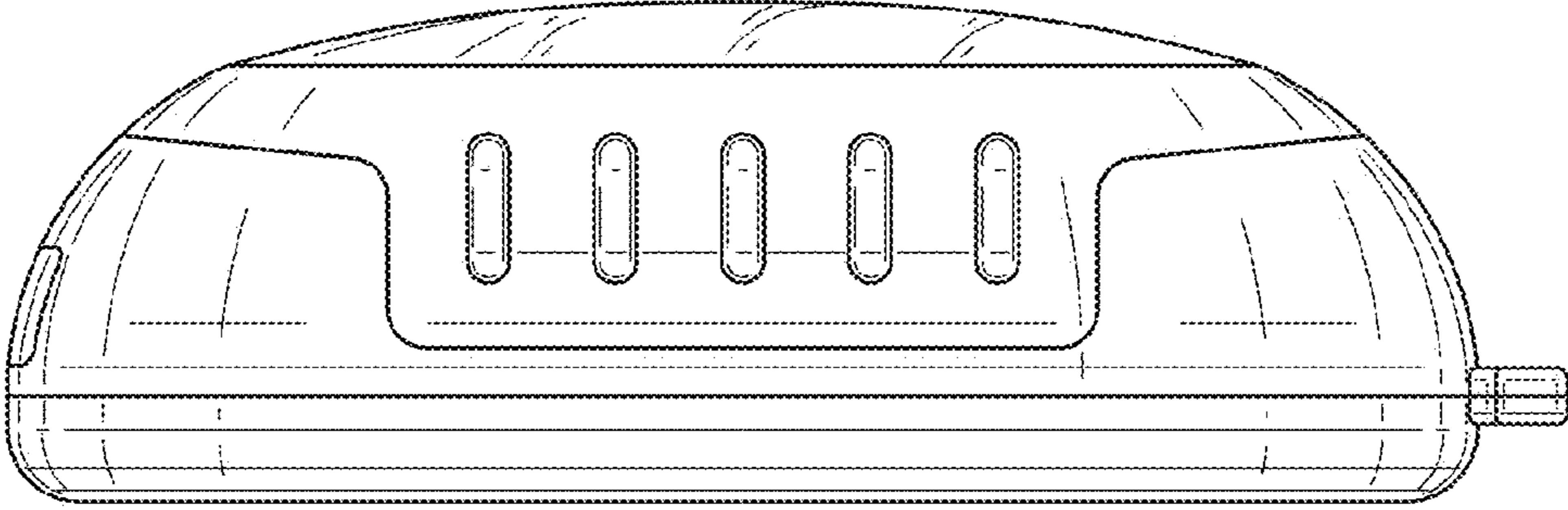


FIG. 5

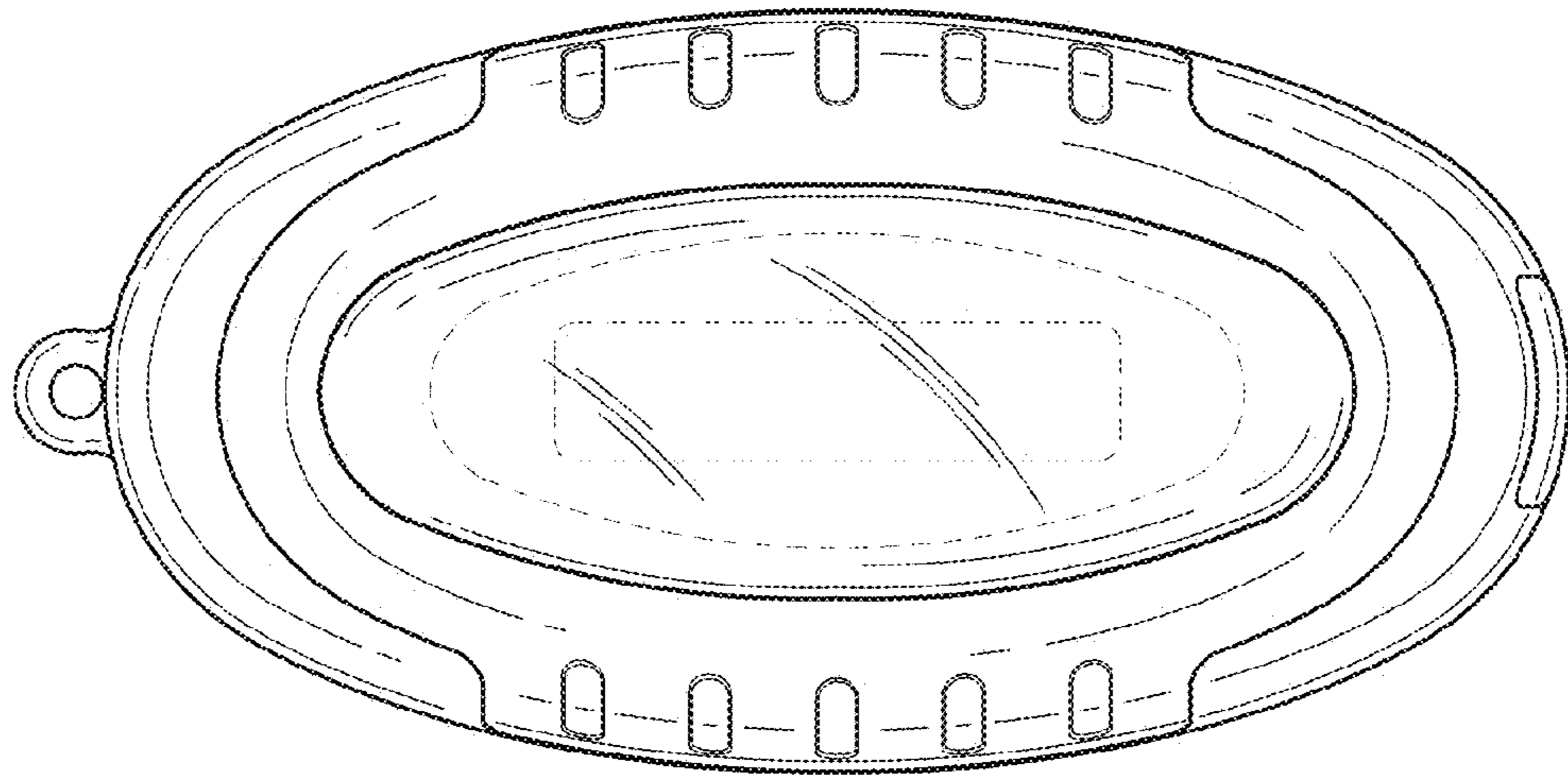


FIG. 6

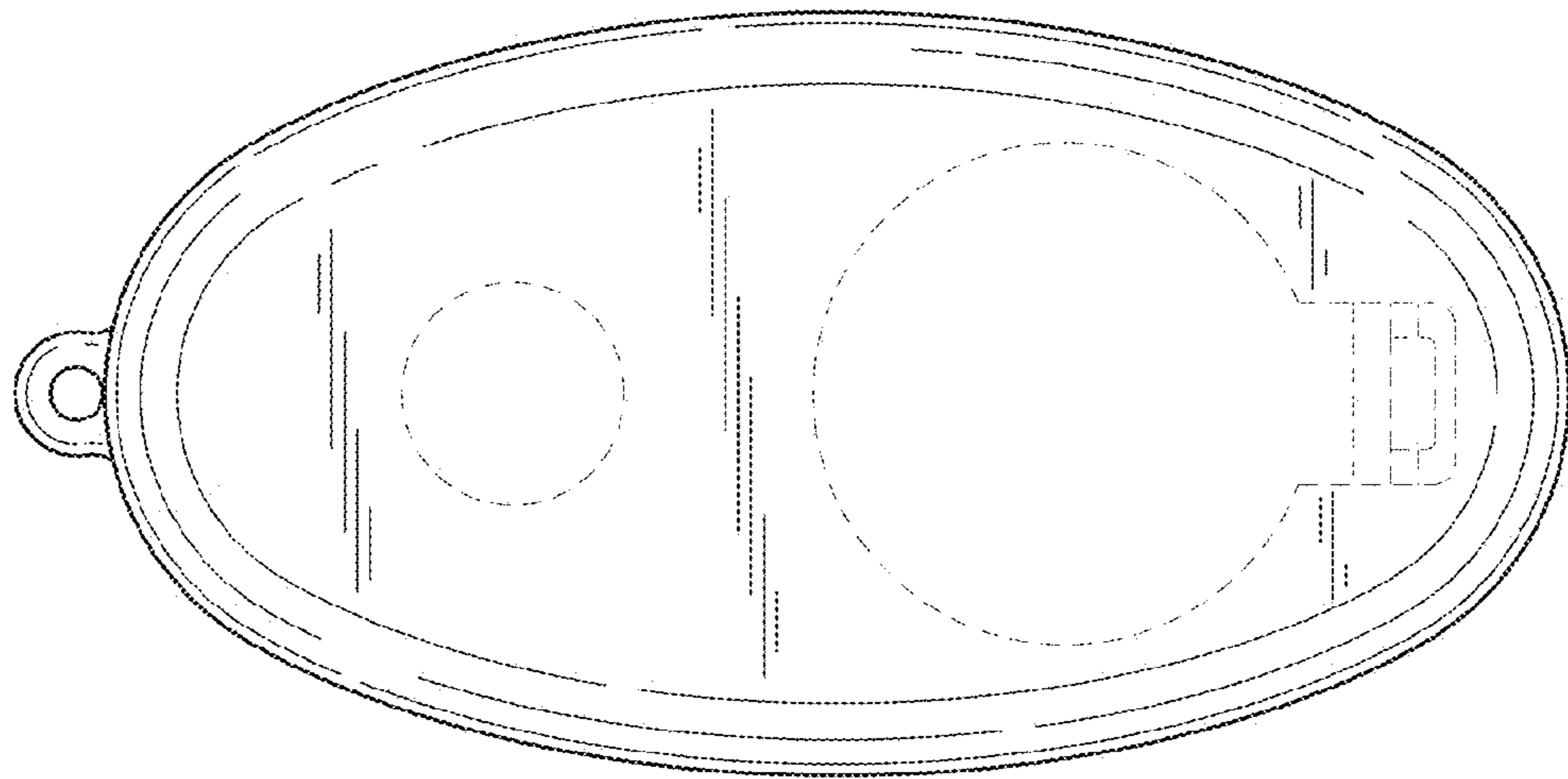


FIG. 7

UNITED STATES PATENT AND TRADEMARK OFFICE
CERTIFICATE OF CORRECTION

PATENT NO. : D759,867 S
APPLICATION NO. : 29/528762
DATED : June 21, 2016
INVENTOR(S) : Cody Grandadam

Page 1 of 6

It is certified that error appears in the above-identified patent and that said Letters Patent is hereby corrected as shown below:

The title page showing the illustrative figure should be deleted and replaced with the attached title page.

Please replace FIGS. 1-7 with FIGS. 1-7 as shown on the attached pages.

Signed and Sealed this
First Day of August, 2017



Joseph Matal
*Performing the Functions and Duties of the
Under Secretary of Commerce for Intellectual Property and
Director of the United States Patent and Trademark Office*

(12) **United States Design Patent**
Grandadam

(10) **Patent No.:** **US D759,867 S**
(45) **Date of Patent:** **** Jun. 21, 2016**

(54) **KEYCHAIN LIGHT**
(71) Applicant: **Cody Grandadam**, Peru, IL (US)
(72) Inventor: **Cody Grandadam**, Peru, IL (US)
(**) Term: **15 Years**
(21) Appl. No.: **29/528,762**
(22) Filed: **Jun. 1, 2015**
(51) **LOC (10) CL.** **26-02**
(52) **U.S. Cl.**
USPC **D26/37**
(58) **Field of Classification Search**
USPC D26/37, 40, 38, 46, 49, 51; 362/187,
362/158, 183, 184, 194, 196, 200, 208,
362/253; D3/208
CPC F21L 2003/00; F21L 4/00; F21L 4/005;
F21L 4/02; F21L 4/025; F21L 4/027; F21L
4/04; F21L 4/08; F21L 2005/00; F21L 7/00;
F21L 11/00; F21L 13/00; F21L 13/04; F21L
13/08; F21L 14/02; F21L 17/00
See application file for complete search history.

D544,119 S * 6/2007 Ding D26/37
D544,388 S * 6/2007 Chisholm D10/114.2
D544,616 S * 6/2007 Chen D26/37
7,438,431 B2+ 10/2008 Ford F21V 21/0885
362/116
D593,693 S * 6/2009 Adamany D26/37
D594,148 S * 6/2009 Heselden D26/37
D624,220 S * 9/2010 Shaljian D26/38
D699,380 S * 2/2014 Weaver D26/39
D734,518 S * 7/2015 Zimmermann D26/39
D738,554 S * 9/2015 Dalton D26/38
D740,474 S * 10/2015 Pineau D26/37
D743,073 S * 11/2015 Schmidt D26/37
2003/0137833 A1* 7/2003 Hsu A44B 15/005
362/196
2006/0176685 A1* 8/2006 Galli F21L 4/005
362/157

* cited by examiner

Primary Examiner — Ian Simmons
Assistant Examiner — Carissa C Fitts
(74) *Attorney, Agent, or Firm* — Justin Lampel

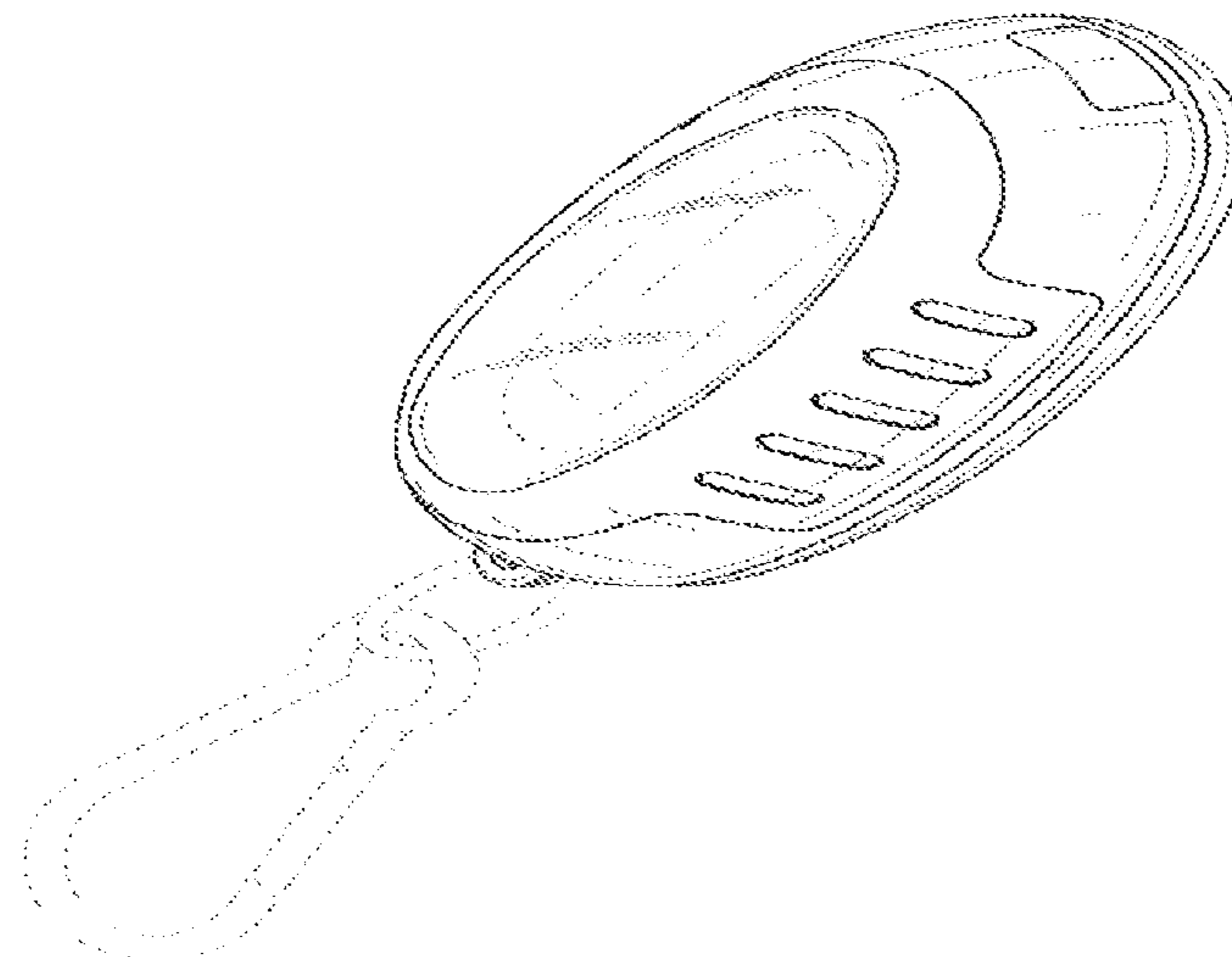
(57) **CLAIM**
The ornamental design for a keychain light, as shown and described.

DESCRIPTION

FIG. 1 is a perspective view of the keychain light;
FIG. 2 is a front view of the keychain light;
FIG. 3 is a back view of the keychain light;
FIG. 4 is a side view of the keychain light;
FIG. 5 is a side view of the keychain light;
FIG. 6 is a top view of the keychain light; and,
FIG. 7 is a bottom view of the keychain light.
The broken line showing of the keychain in FIG. 1 is for environmental purposes only. All other broken lines represent unclaimed portions of the article. The broken lines form no part of the claimed design.

1 Claim, 4 Drawing Sheets

(56) **References Cited**
U.S. PATENT DOCUMENTS
D380,896 S * 7/1997 Grant D3/208
D448,505 S * 9/2001 Dalton D26/37
D455,854 S * 4/2002 Smith D26/37
D478,720 S * 8/2003 Lo D3/209
D484,625 S * 12/2003 Chang D26/37
D488,921 S * 4/2004 Zhang D3/209
D495,073 S * 8/2004 Kumthampinij D26/37
D497,019 S * 10/2004 Lee D26/37
D505,782 S * 6/2005 Chen D3/209
D514,241 S * 1/2006 Franks D10/111
D522,234 S * 6/2006 Murphy D3/209
D538,192 S * 3/2007 Martin D10/106.1
D543,297 S * 5/2007 Osiecki D26/37



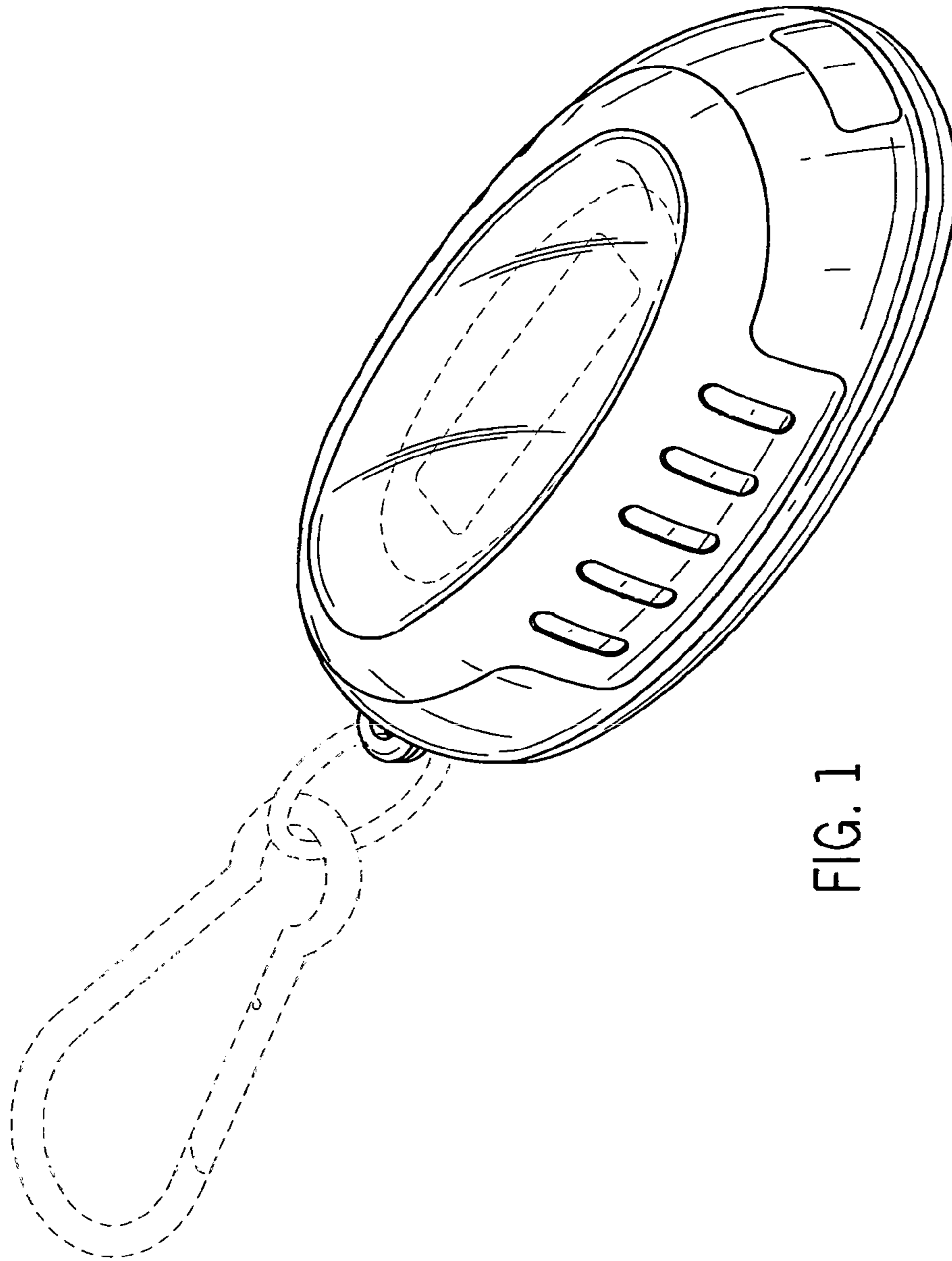


FIG. 1

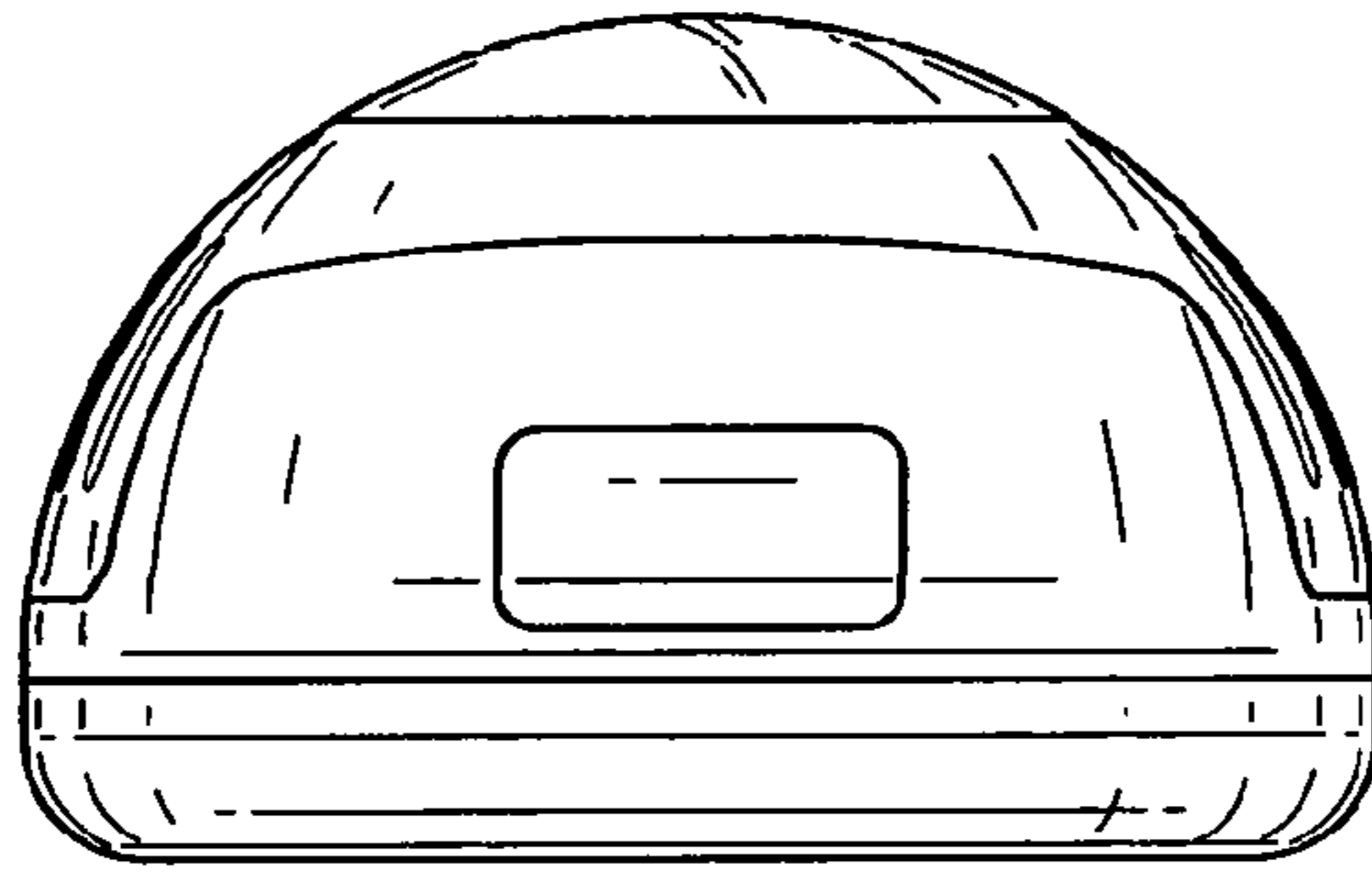


FIG. 2

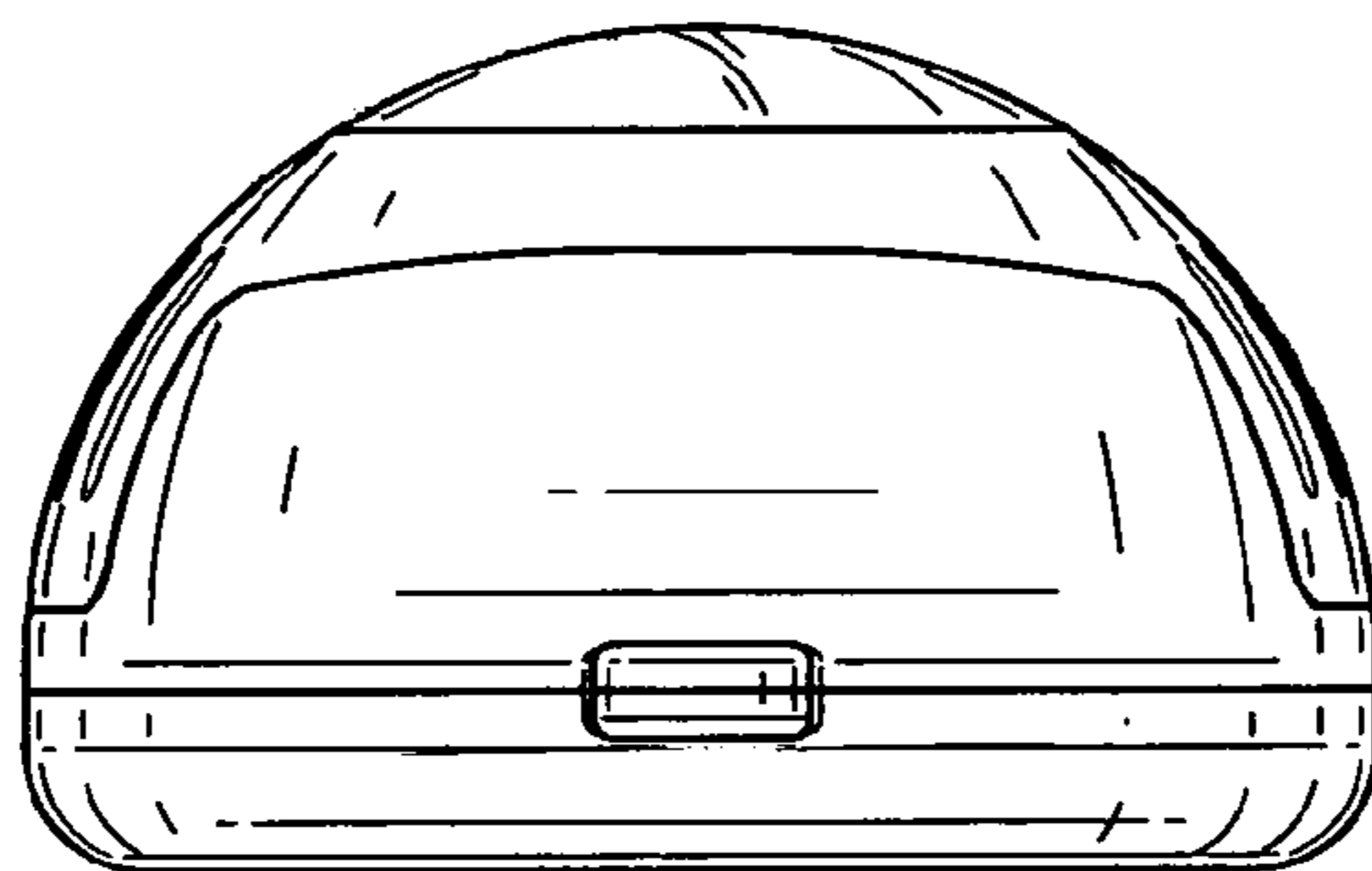


FIG. 3

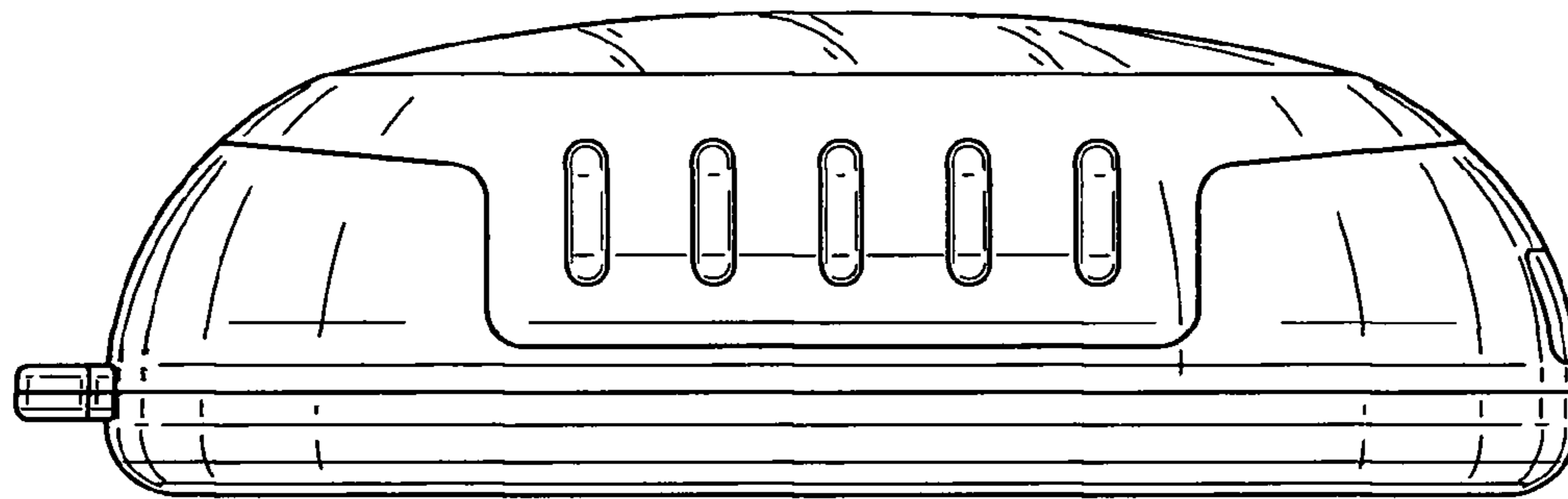


FIG. 4

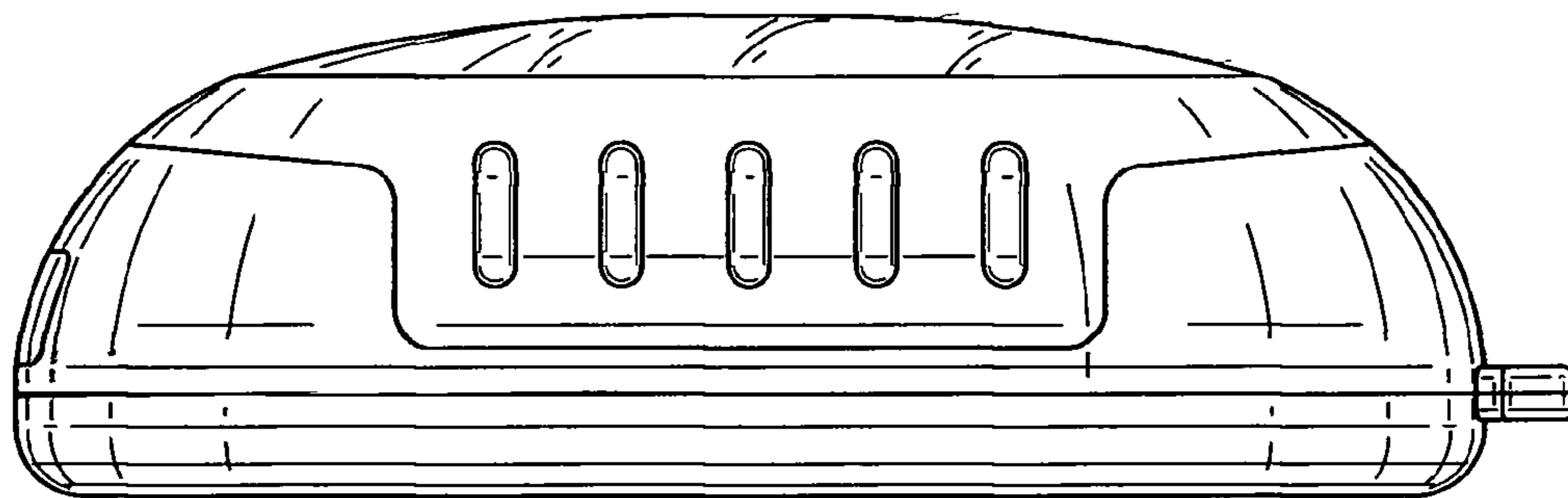


FIG. 5

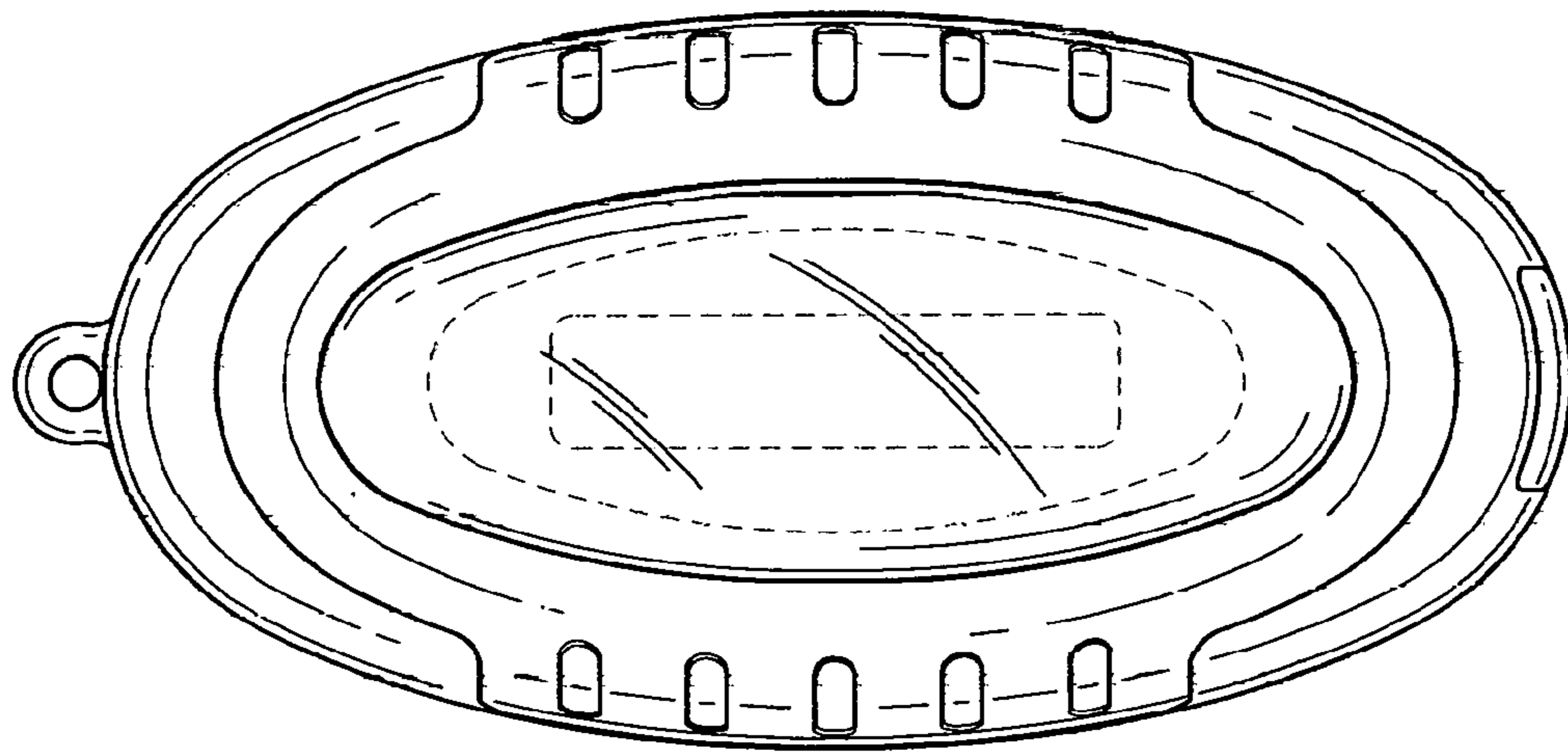


FIG. 6

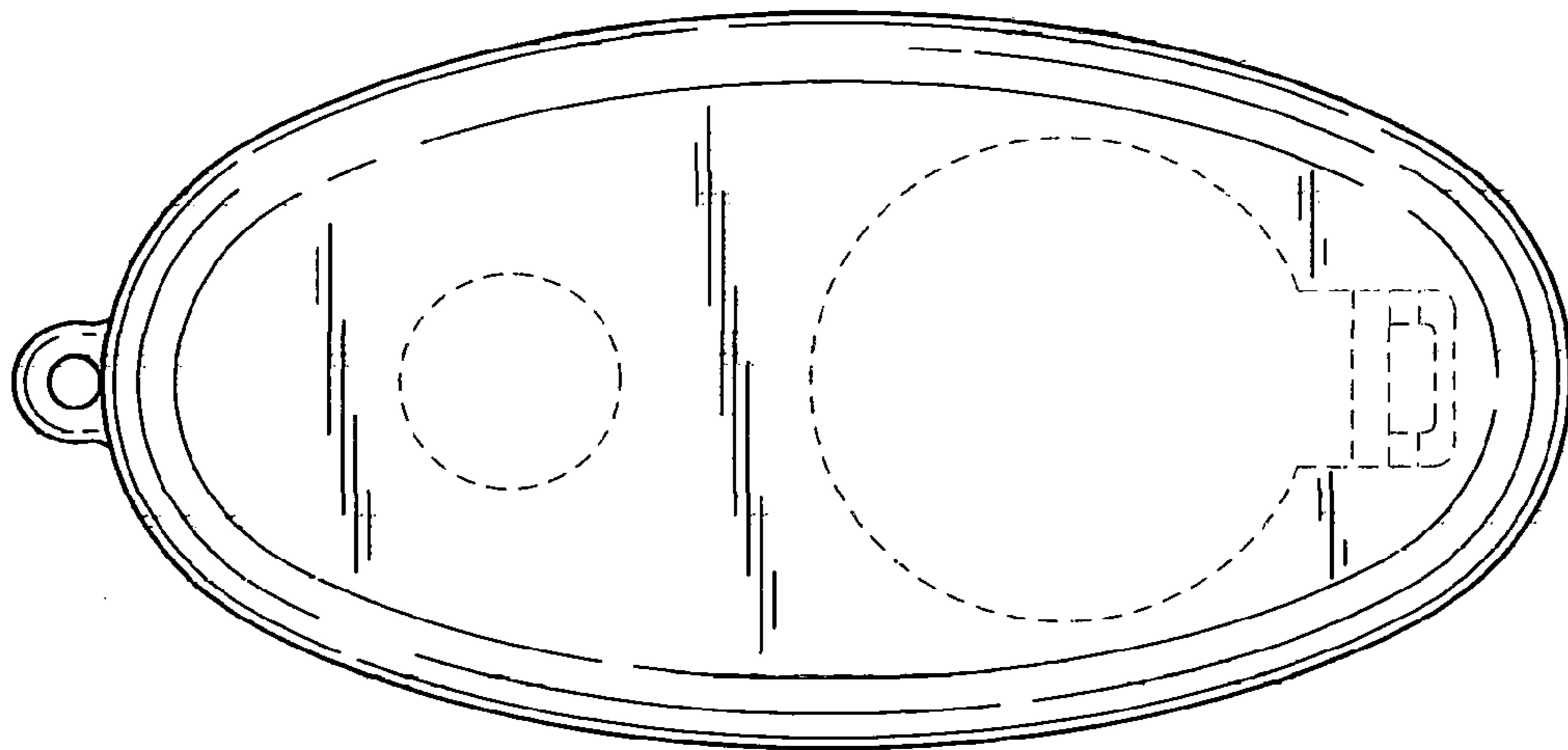


FIG. 7