



US00D759866S

(12) **United States Design Patent**  
**Lai**

(10) **Patent No.:** **US D759,866 S**  
(45) **Date of Patent:** **\*\* Jun. 21, 2016**

- (54) **VEHICLE HEADLIGHT**
- (71) Applicant: **Ching-Tsung Lai**, Tainan (TW)
- (72) Inventor: **Ching-Tsung Lai**, Tainan (TW)
- (\*\*) Term: **14 Years**
- (21) Appl. No.: **29/500,306**
- (22) Filed: **Aug. 25, 2014**
- (51) **LOC (10) Cl.** ..... **26-06**
- (52) **U.S. Cl.**  
USPC ..... **D26/35**
- (58) **Field of Classification Search**  
USPC ..... D26/28-36; 362/459-476, 485-487,  
362/543-549; D12/163, 170, 171  
CPC ..... F21S 48/00; F21S 8/10; F21S 48/10;  
F21S 48/1195  
See application file for complete search history.

D718,893 S *	12/2014	Lai	.....	D26/28
D718,894 S *	12/2014	Lai	.....	D26/28
D721,196 S *	1/2015	Lai	.....	D26/28
D721,450 S *	1/2015	Lai	.....	D26/28
D723,724 S *	3/2015	Johnson	.....	D26/28
D733,343 S *	6/2015	Lai	.....	D26/28

\* cited by examiner

*Primary Examiner* — Ian Simmons  
*Assistant Examiner* — Harold Blackwell, II  
(74) *Attorney, Agent, or Firm* — Alexander Chen, Esq.

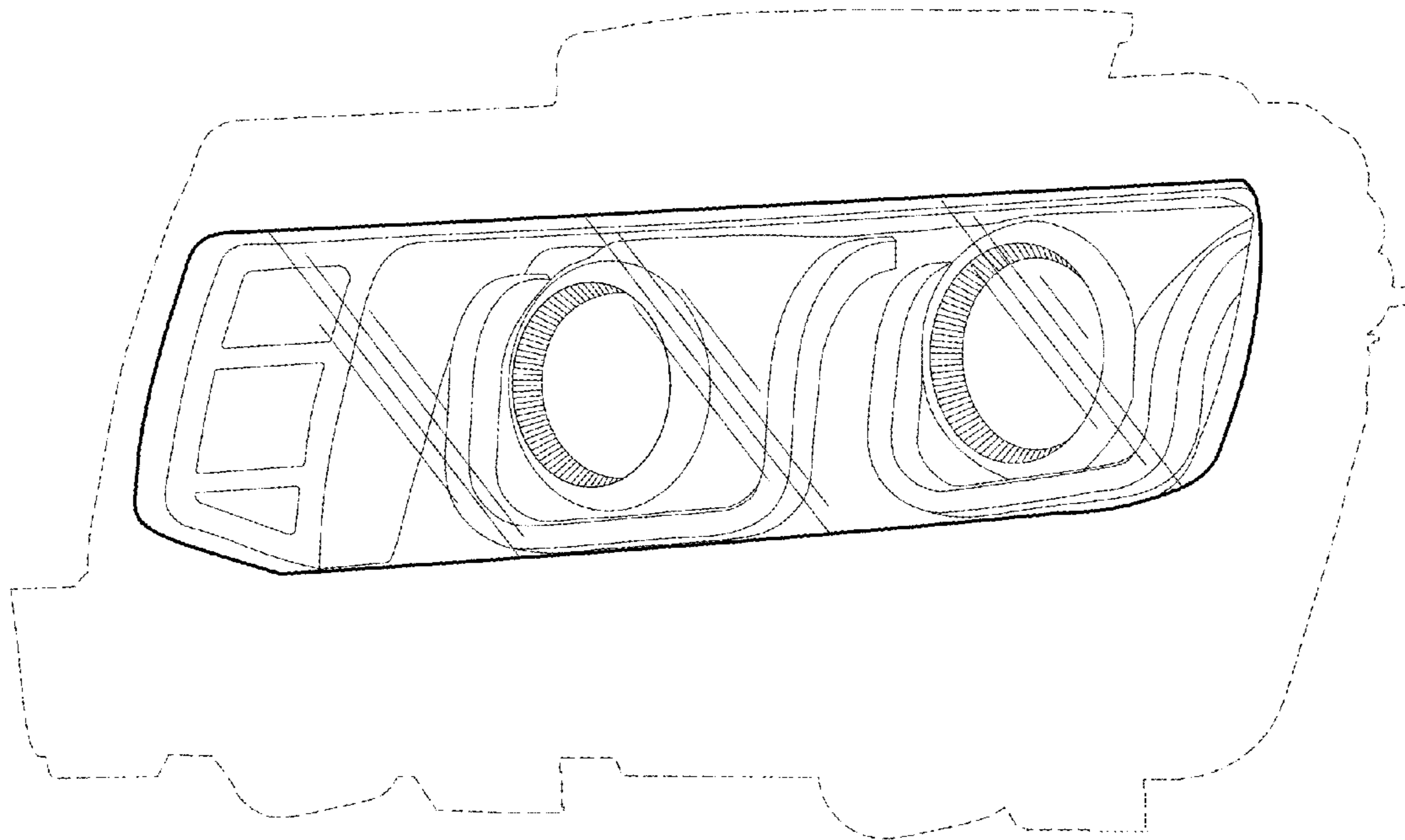
(57) **CLAIM**  
The ornamental design for a vehicle headlight, as shown and described.

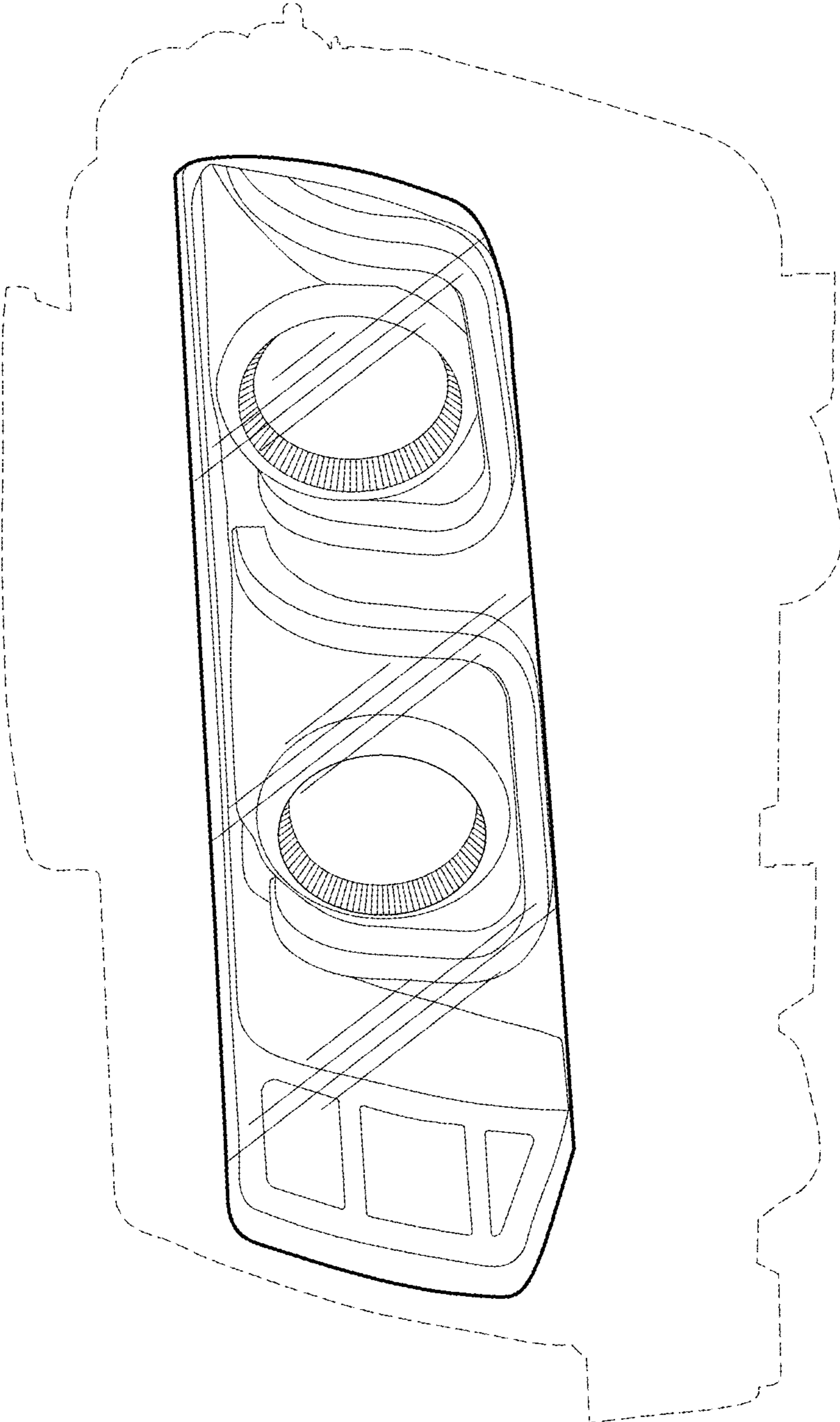
**DESCRIPTION**

FIG. 1 is a perspective view of an automotive front light unit. The drawings and descriptions represent the right side embodiment. The broken line portions shown in FIGS. 1-4 illustrate environmental subject matter only and form no part of the claimed design.  
FIG. 2 is a front view thereof;  
FIG. 3 is a side view thereof; and,  
FIG. 4 is a top side view thereof.

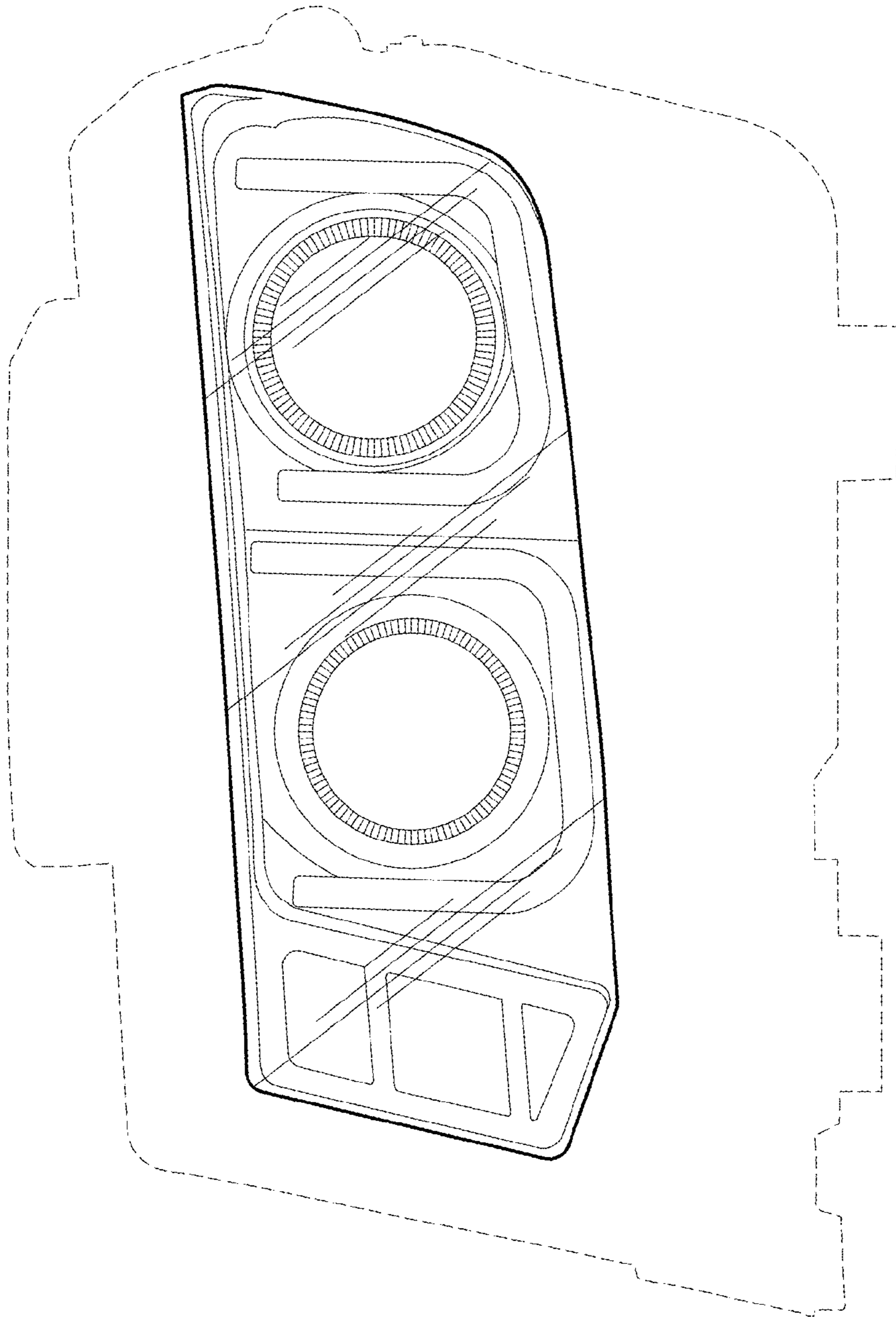
**1 Claim, 4 Drawing Sheets**

- (56) **References Cited**  
U.S. PATENT DOCUMENTS  
D691,755 S \* 10/2013 Lai ..... D26/28  
D691,756 S \* 10/2013 Lai ..... D26/28  
D709,224 S \* 7/2014 Lai ..... D26/28  
D710,044 S \* 7/2014 Lai ..... D26/28





**FIG. 1**



**FIG. 2**

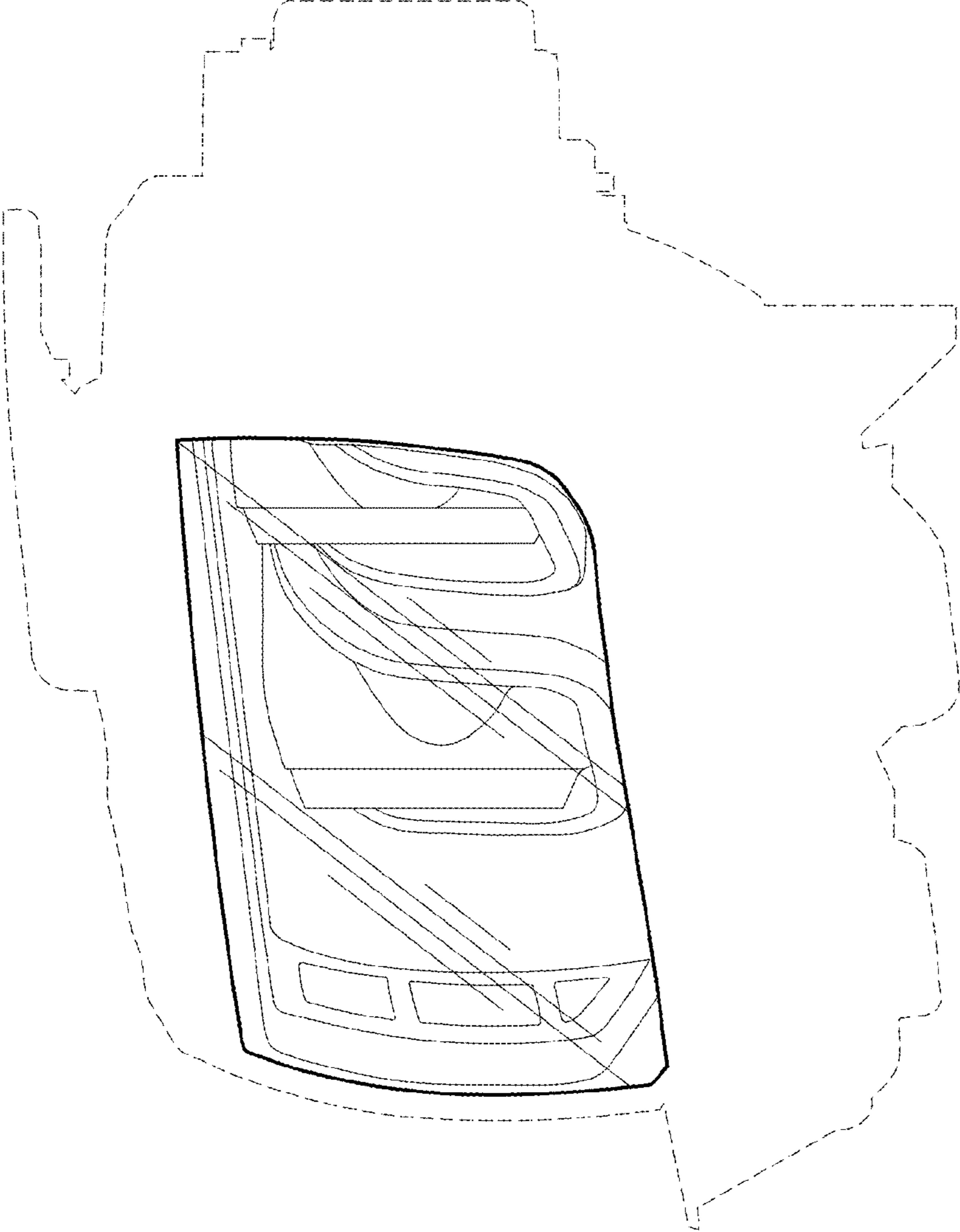


FIG. 3



**FIG. 4**