



US00D759865S

(12) **United States Design Patent**  
**Shim et al.**

(10) **Patent No.:** **US D759,865 S**  
(45) **Date of Patent:** **\*\* Jun. 21, 2016**

(54) **HEAD LAMP FOR AUTOMOBILES**

(71) Applicant: **Hyundai Motor Company**, Seoul (KR)

(72) Inventors: **Joon-Bo Shim**, Gyeonggi-Do (KR);  
**Jae-Hyun Lee**, Gyeongsangbuk-Do (KR);  
**Dai-Sung Kim**, Gyeonggi-Do (KR);  
**Sung-Uk Choi**, Gyeonggi-Do (KR);  
**Ki-Euk Kim**, Gyeonggi-Do (KR)

(73) Assignee: **Hyundai Motor Company**, Seoul (KR)

(\*\*) Term: **15 Years**

(21) Appl. No.: **29/530,922**

(22) Filed: **Jun. 22, 2015**

(30) **Foreign Application Priority Data**

Jan. 30, 2015 (KR) ..... 30-2015-0005089

(51) **LOC (10) Cl.** ..... **26-07**

(52) **U.S. Cl.**  
USPC ..... **D26/28**

(58) **Field of Classification Search**  
USPC ..... D26/28-36; 362/459-468, 475-478,  
362/485-487  
CPC ..... F21S 48/00; F21S 48/10; F21S 48/115;  
F21S 48/225; F21S 48/1233; F21S 48/1266;  
F21S 48/1388; F21S 48/2268; F21V 21/04  
See application file for complete search history.

(56) **References Cited**

**U.S. PATENT DOCUMENTS**

D637,319 S \* 5/2011 Jeong ..... D26/28  
D674,940 S \* 1/2013 Lai ..... D26/28

D708,769 S \* 7/2014 Badstuebner ..... D26/28  
D709,213 S \* 7/2014 Futschik ..... D26/28  
D709,218 S \* 7/2014 Kim ..... D26/28  
D709,219 S \* 7/2014 Kim ..... D26/28  
D710,044 S \* 7/2014 Lai ..... D26/28  
D739,578 S \* 9/2015 Han ..... D26/28  
D740,463 S \* 10/2015 Ko ..... D26/28  
D747,512 S \* 1/2016 Lai ..... D26/28  
D750,299 S \* 2/2016 Morikawa ..... D26/28

\* cited by examiner

*Primary Examiner* — Angela J Lee

(74) *Attorney, Agent, or Firm* — Mintz Levin Cohn Ferris  
Glovsky and Popeo, P.C.; Kongsik Kim

(57) **CLAIM**

The ornamental design for a head lamp for automobiles, as shown and described.

**DESCRIPTION**

FIG. 1 is a perspective view of a head lamp for automobiles according to the present invention.  
FIG. 2 is a front view of the head lamp for automobiles of FIG. 1.  
FIG. 3 is a rear view of the head lamp for automobiles of FIG. 1.  
FIG. 4 is a left side view of the head lamp for automobiles of FIG. 1.  
FIG. 5 is a right side view of the head lamp for automobiles of FIG. 1.  
FIG. 6 is a top view of the head lamp for automobiles of FIG. 1; and,  
FIG. 7 is a bottom view of the head lamp for automobiles of FIG. 1.

**1 Claim, 7 Drawing Sheets**

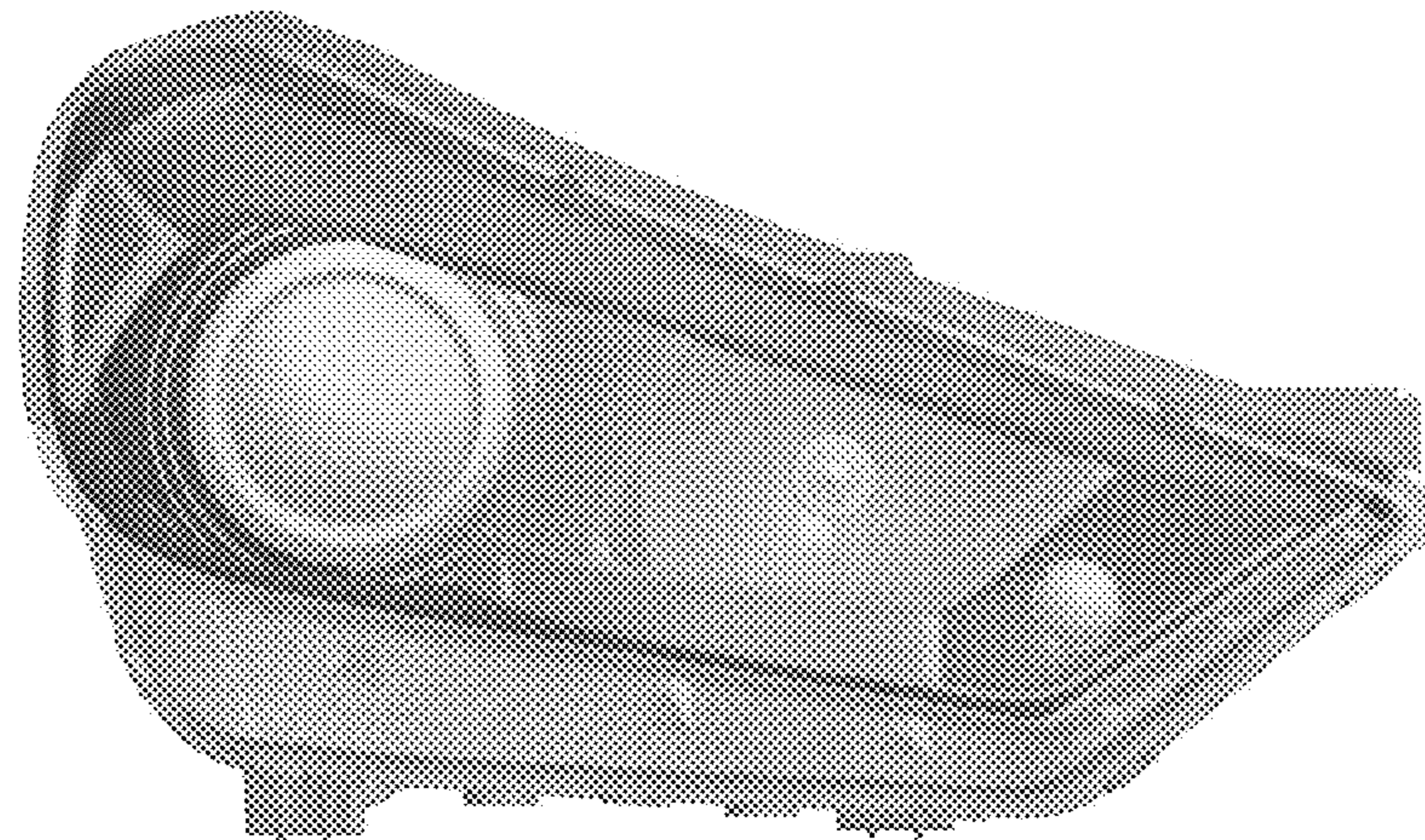


FIG. 1

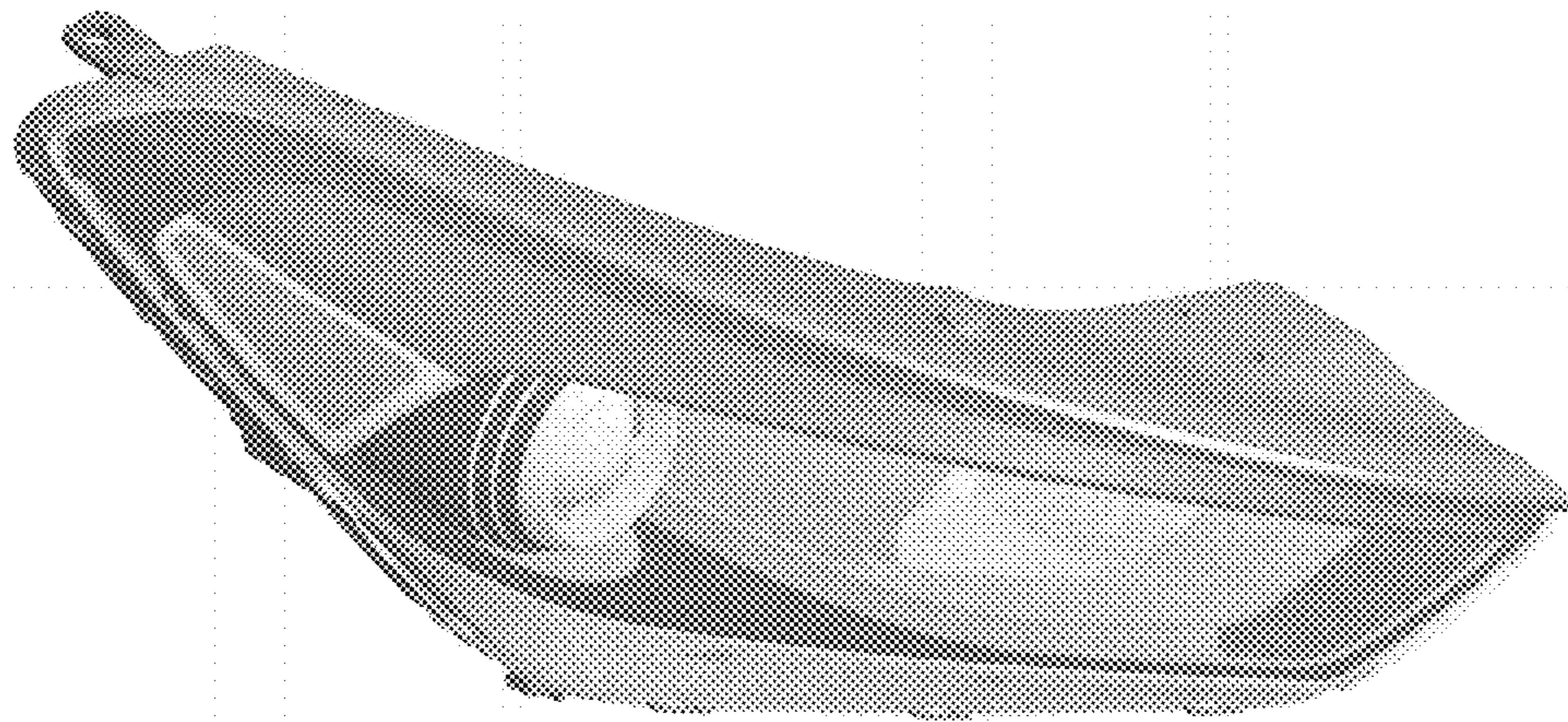


FIG. 2

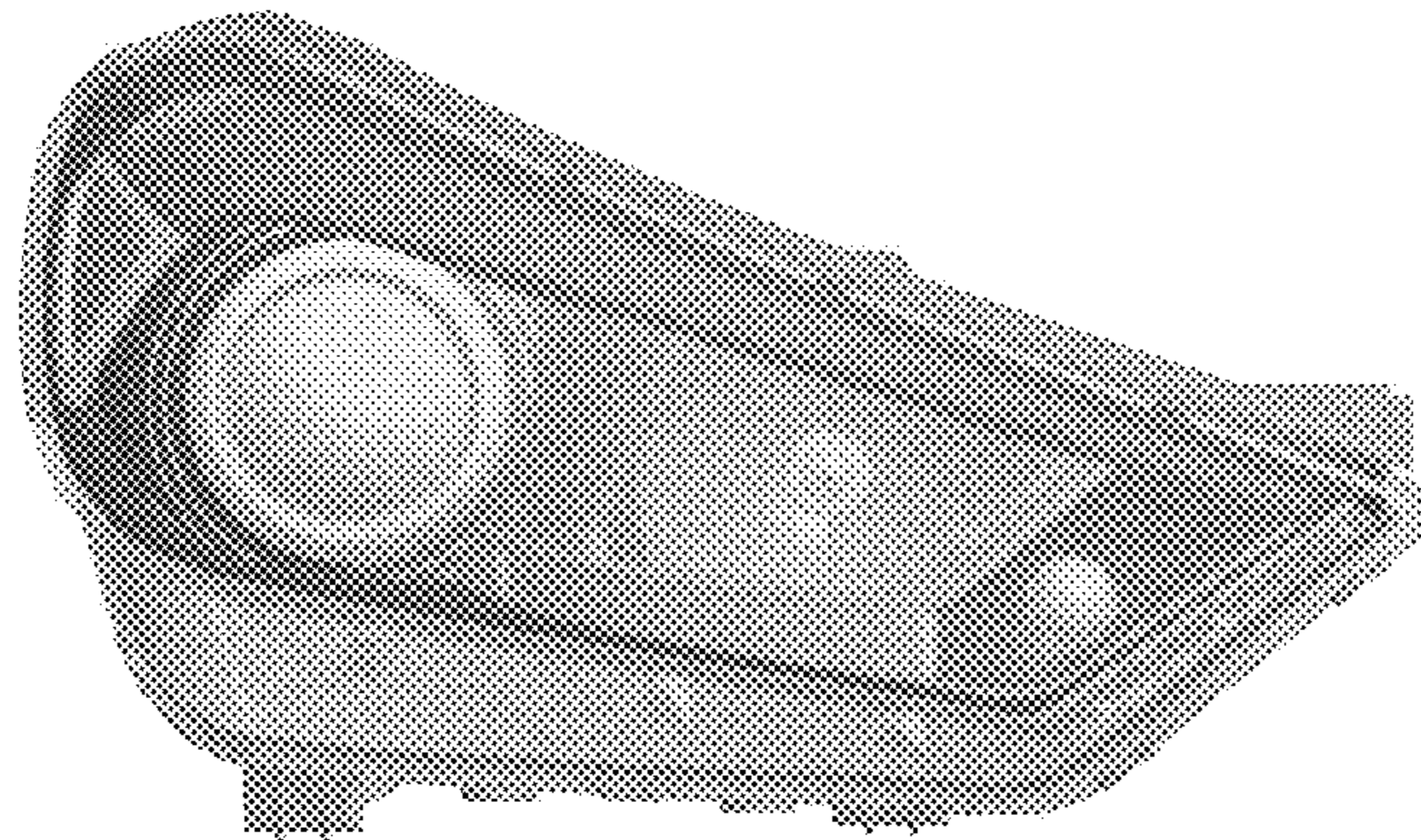


FIG. 3

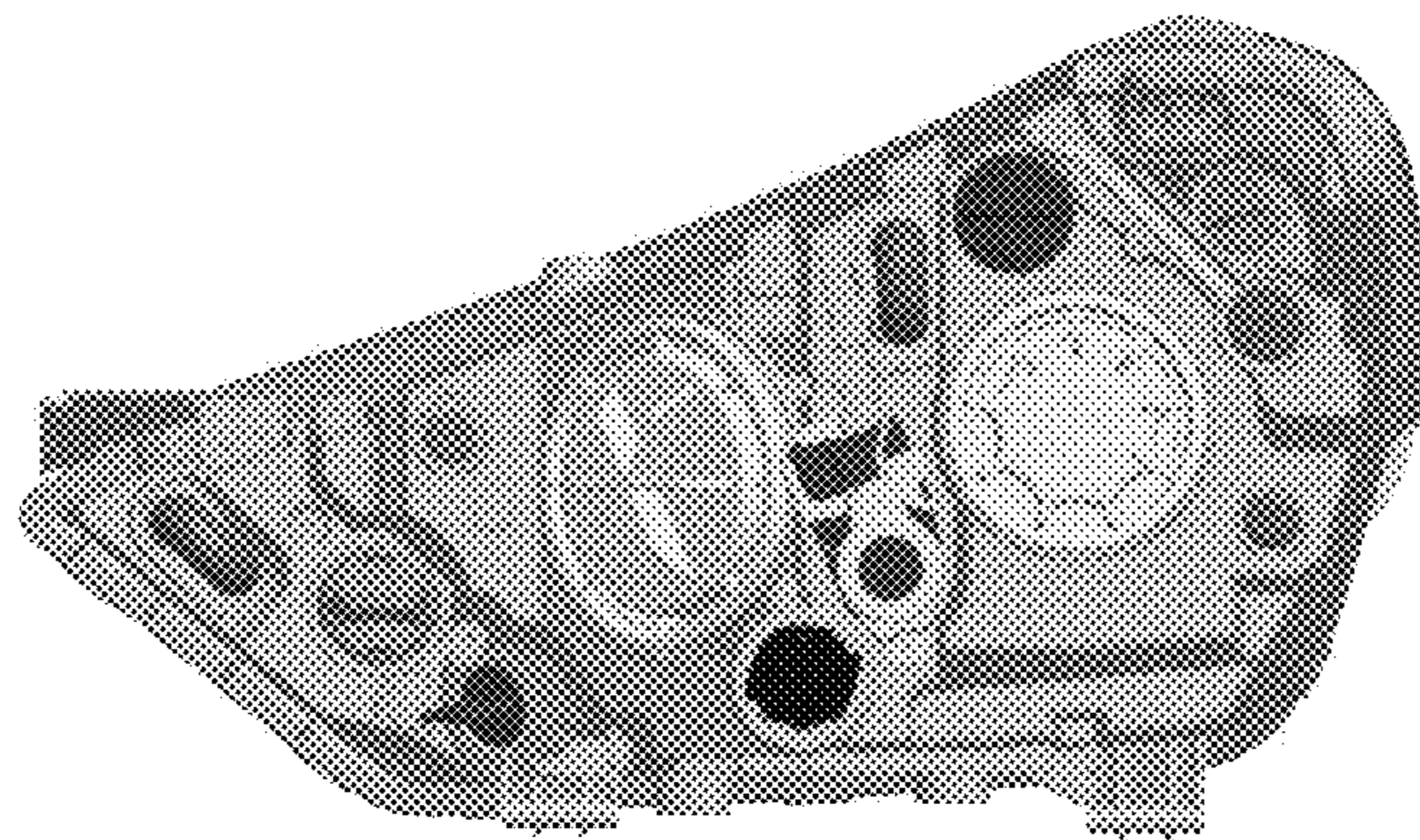


FIG. 4

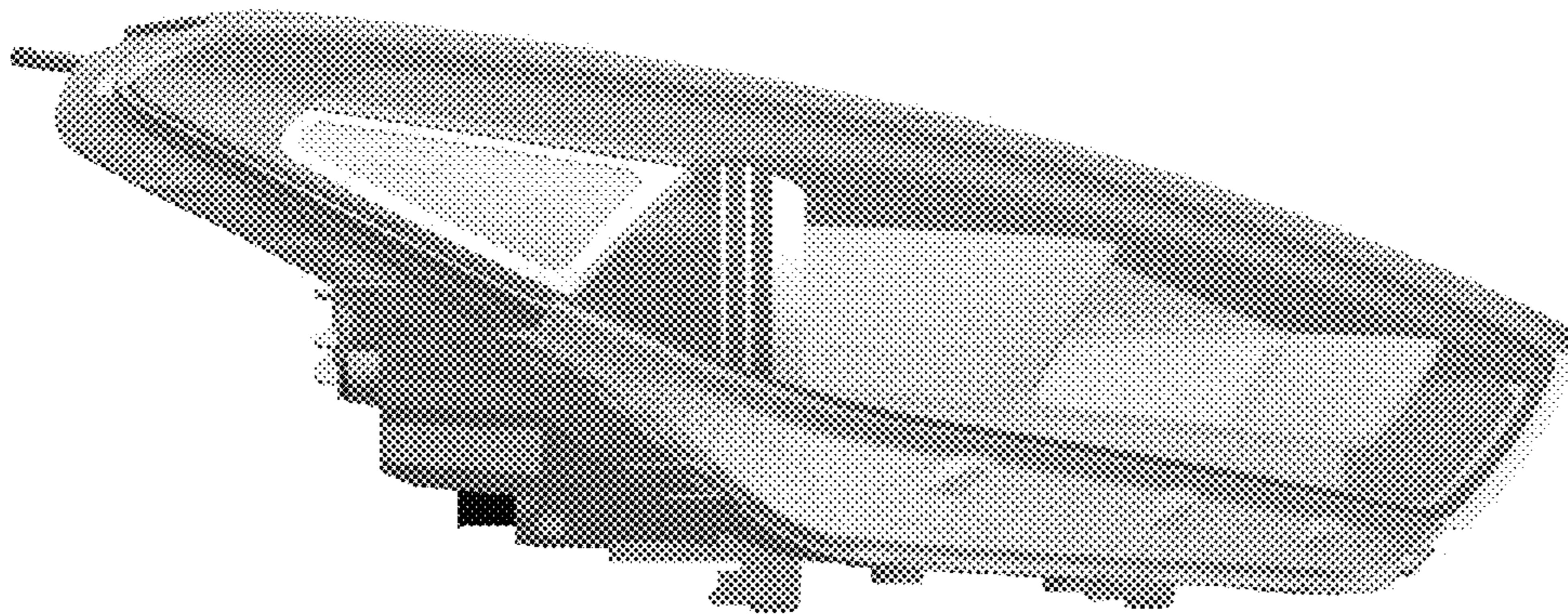


FIG. 5

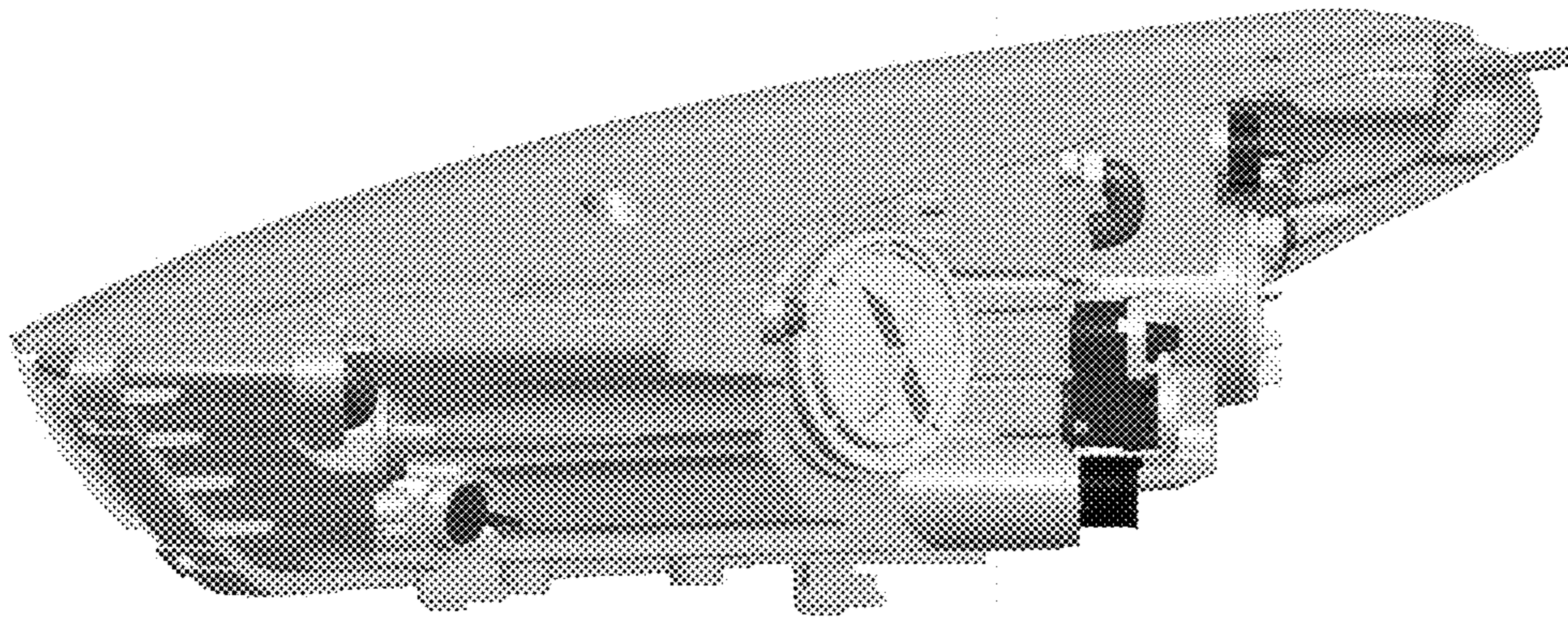


FIG. 6

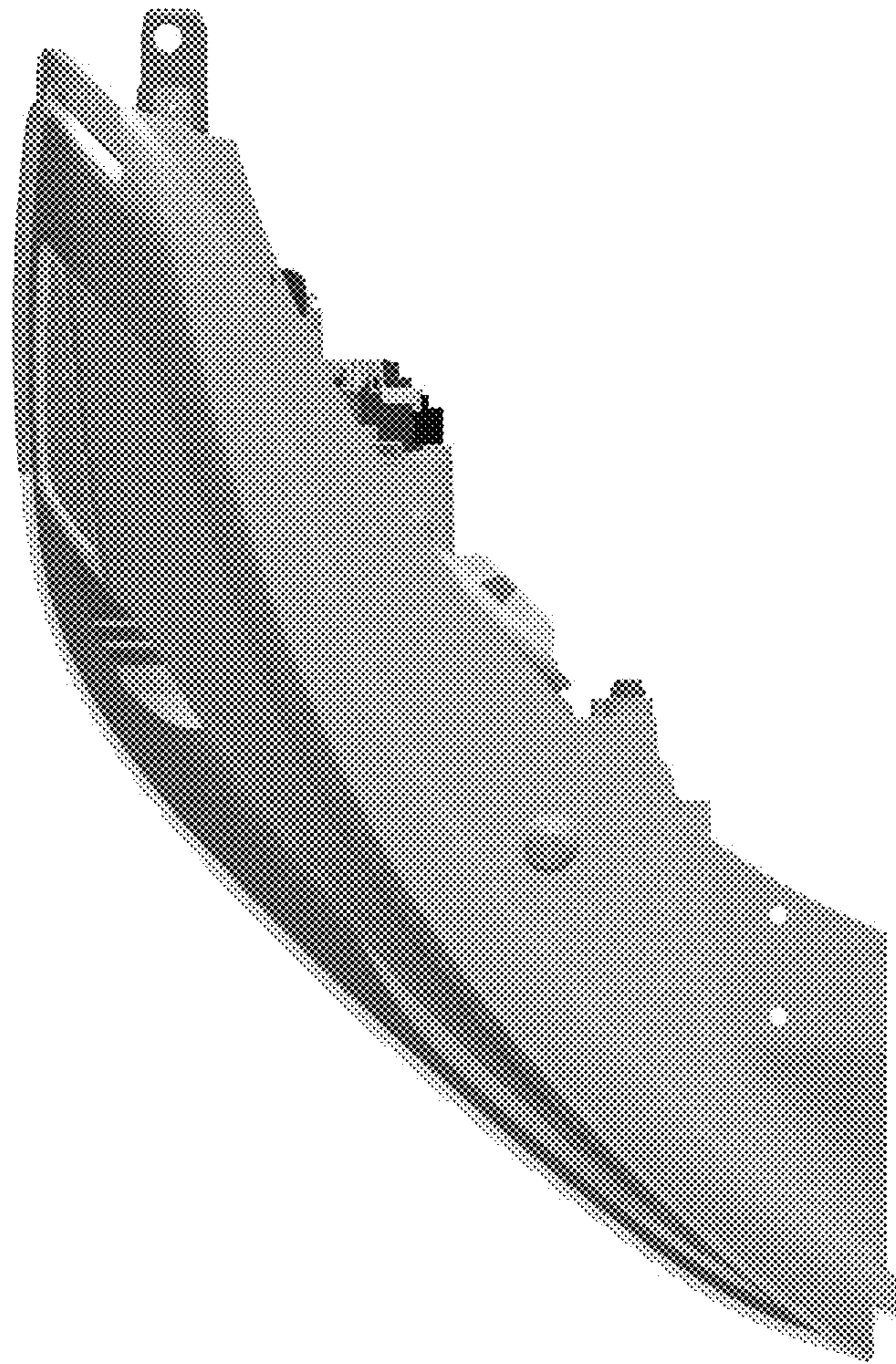


FIG. 7

