



US00D759863S

(12) **United States Design Patent**  
**Shim et al.**

(10) **Patent No.:** **US D759,863 S**  
(45) **Date of Patent:** **\*\* Jun. 21, 2016**

(54) **REAR COMBINATION LAMP FOR AUTOMOBILES**

(71) Applicant: **Hyundai Motor Company**, Seoul (KR)

(72) Inventors: **Joon-Bo Shim**, Gyeonggi-Do (KR);  
**Jae-Hyun Lee**, Gyeongsangbuk-Do (KR); **Dai-Sung Kim**, Gyeonggi-Do (KR); **Sung-Uk Choi**, Gyeonggi-Do (KR); **Ki-Euk Kim**, Gyeonggi-Do (KR)

(73) Assignee: **Hyundai Motor Company**, Seoul (KR)

(\*\*) Term: **15 Years**

(21) Appl. No.: **29/530,911**

(22) Filed: **Jun. 22, 2015**

(30) **Foreign Application Priority Data**

Jan. 30, 2015 (KR) ..... 30-2015-0005085

(51) **LOC (10) Cl.** ..... **26-07**

(52) **U.S. Cl.**  
USPC ..... **D26/28**

(58) **Field of Classification Search**  
USPC ..... D26/28-36; 362/459-468, 475-478, 362/485-487  
CPC ..... F21S 48/00; F21S 48/10; F21S 48/115; F21S 48/225; F21S 48/1233; F21S 48/1266; F21S 48/1388; F21S 48/2268; F21V 21/04

See application file for complete search history.

(56) **References Cited**

U.S. PATENT DOCUMENTS

D691,754 S *	10/2013	Chen	.....	D26/28
D701,983 S *	4/2014	Kong	.....	D26/28
D704,870 S *	5/2014	Kim	.....	D26/28
D713,572 S *	9/2014	Campbell	.....	D26/28
D721,840 S *	1/2015	Futschik	.....	D26/28
D723,723 S *	3/2015	Goto	.....	D26/28
D735,920 S *	8/2015	Honda	.....	D26/28
D736,971 S *	8/2015	Duff	.....	D26/28
D745,717 S *	12/2015	Wu	.....	D26/28
D748,305 S *	1/2016	Miyazawa	.....	D26/28
D749,762 S *	2/2016	Sa	.....	D26/28

\* cited by examiner

*Primary Examiner* — Angela J Lee

(74) *Attorney, Agent, or Firm* — Mintz Levin Cohn Ferris Glovsky and Popeo, P.C.; Kongsik Kim

(57) **CLAIM**

The ornamental design for a rear combination lamp for automobiles, as shown and described.

**DESCRIPTION**

FIG. 1 is a perspective view of a rear combination lamp for automobiles according to the present invention.

FIG. 2 is a front view of the rear combination lamp for automobiles of FIG. 1.

FIG. 3 is a rear view of the rear combination lamp for automobiles of FIG. 1.

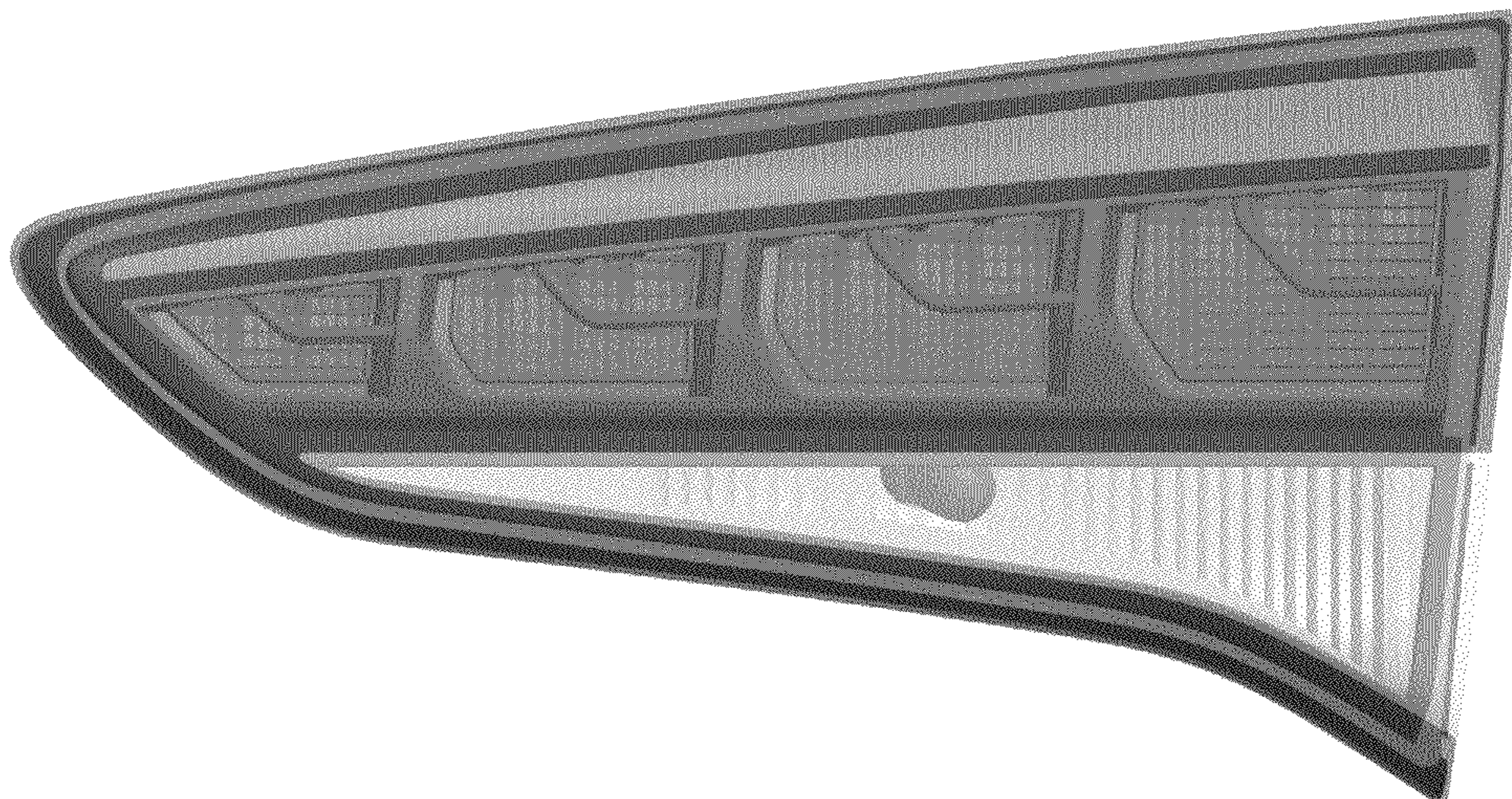
FIG. 4 is a left side view of the rear combination lamp for automobiles of FIG. 1.

FIG. 5 is a right side view of the rear combination lamp for automobiles of FIG. 1.

FIG. 6 is a top view of the rear combination lamp for automobiles of FIG. 1; and,

FIG. 7 is a bottom view of the rear combination lamp for automobiles of FIG. 1.

**1 Claim, 7 Drawing Sheets**





**FIG. 1**

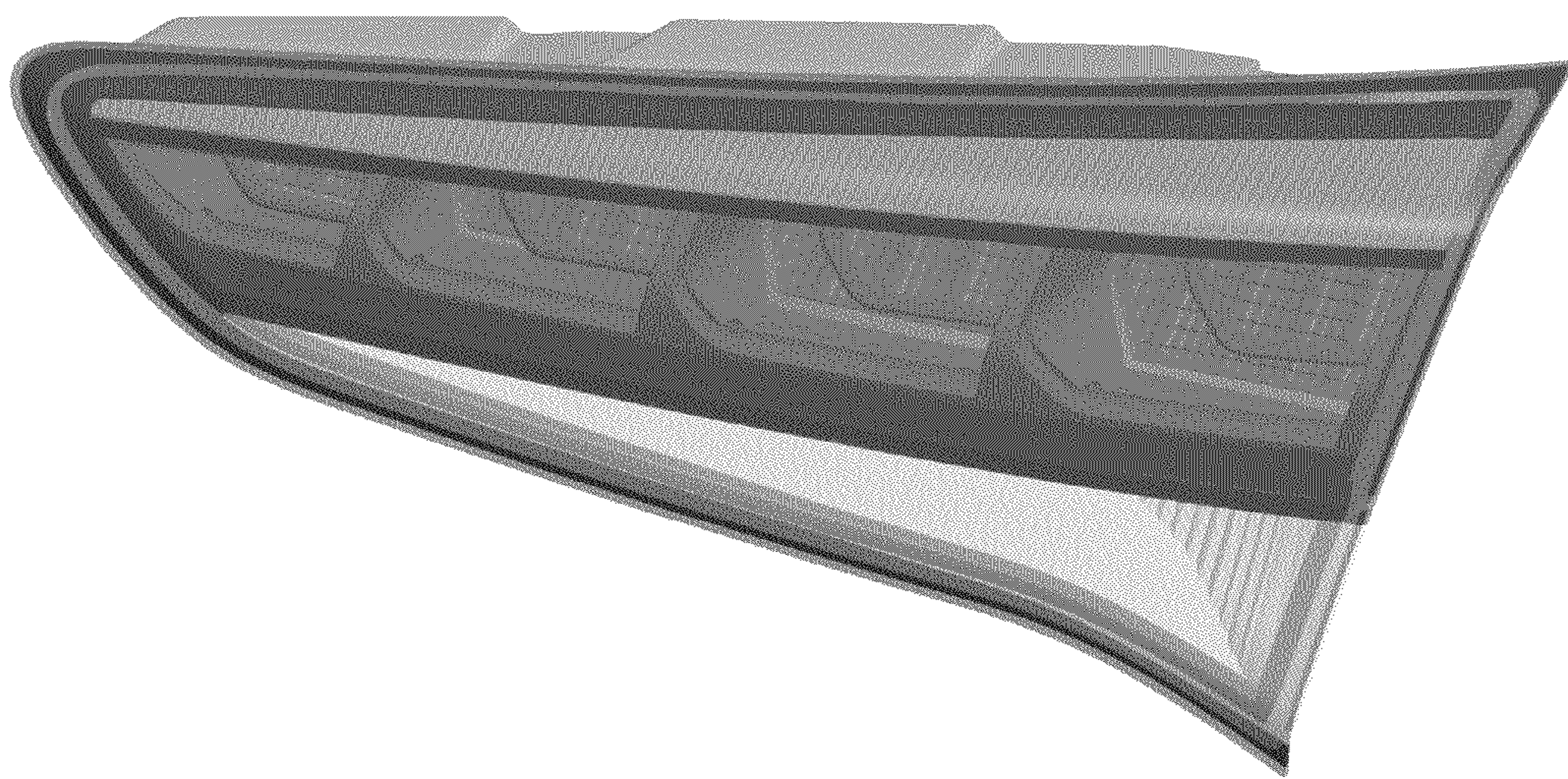




FIG. 2

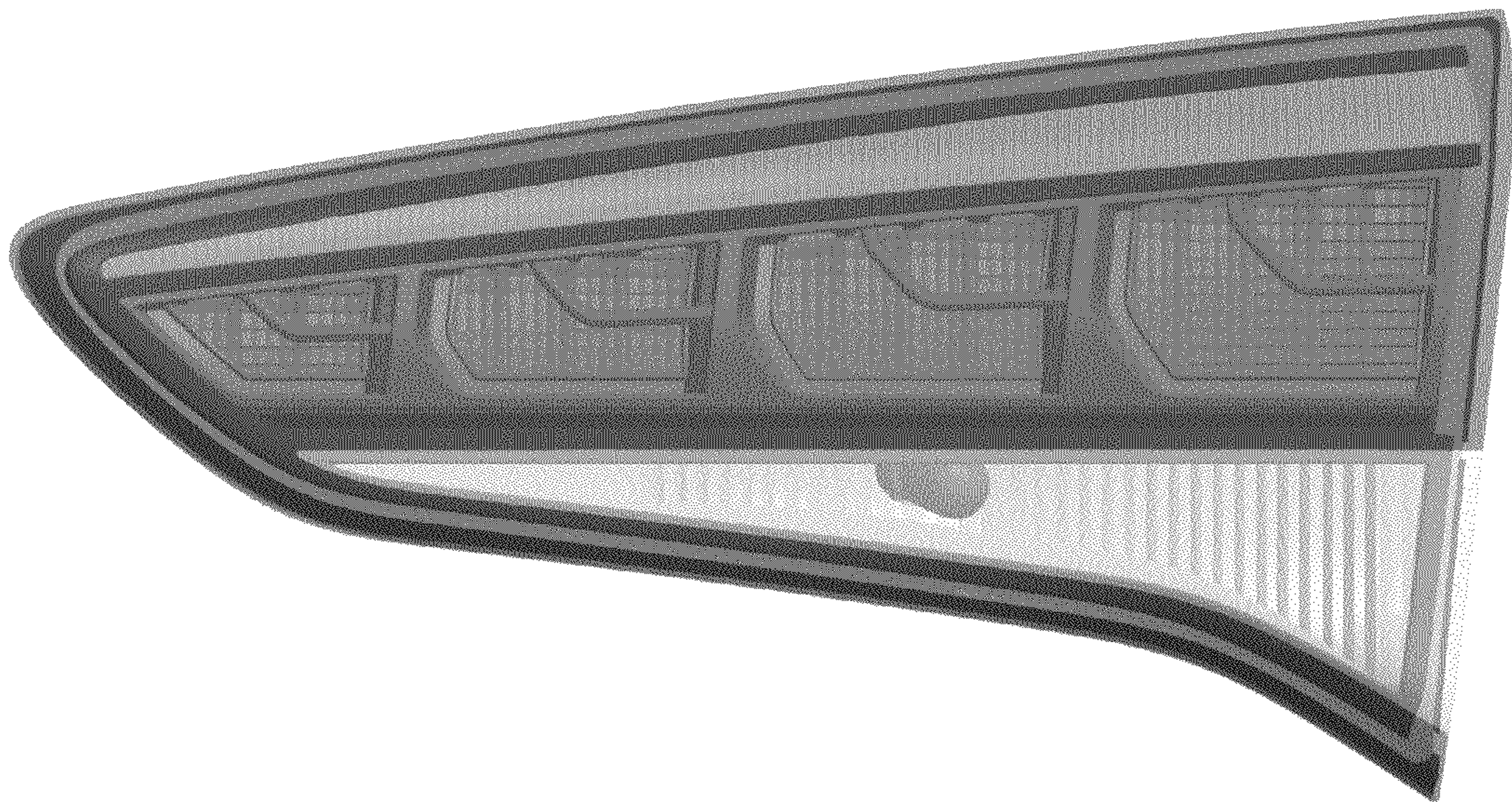
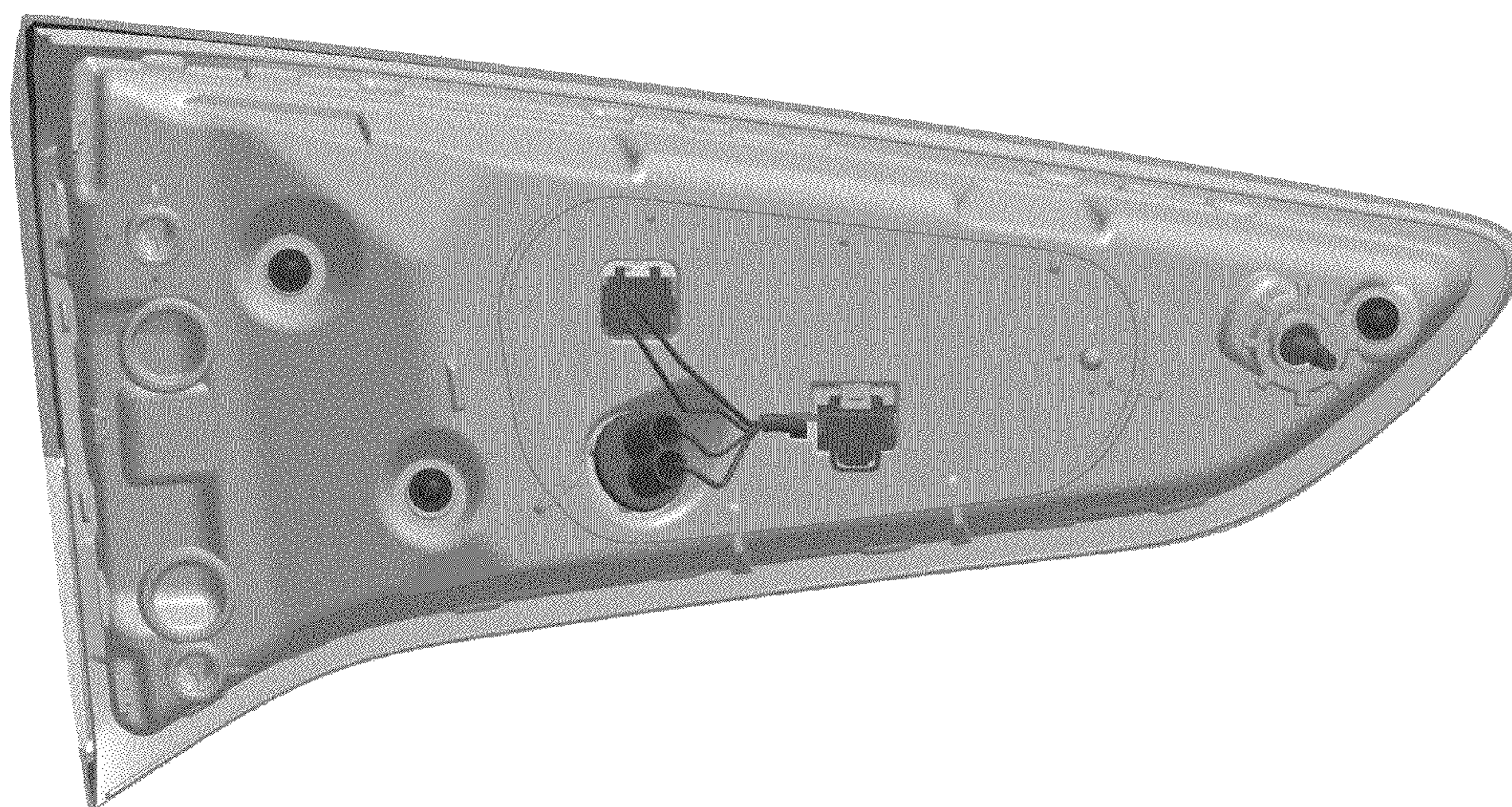


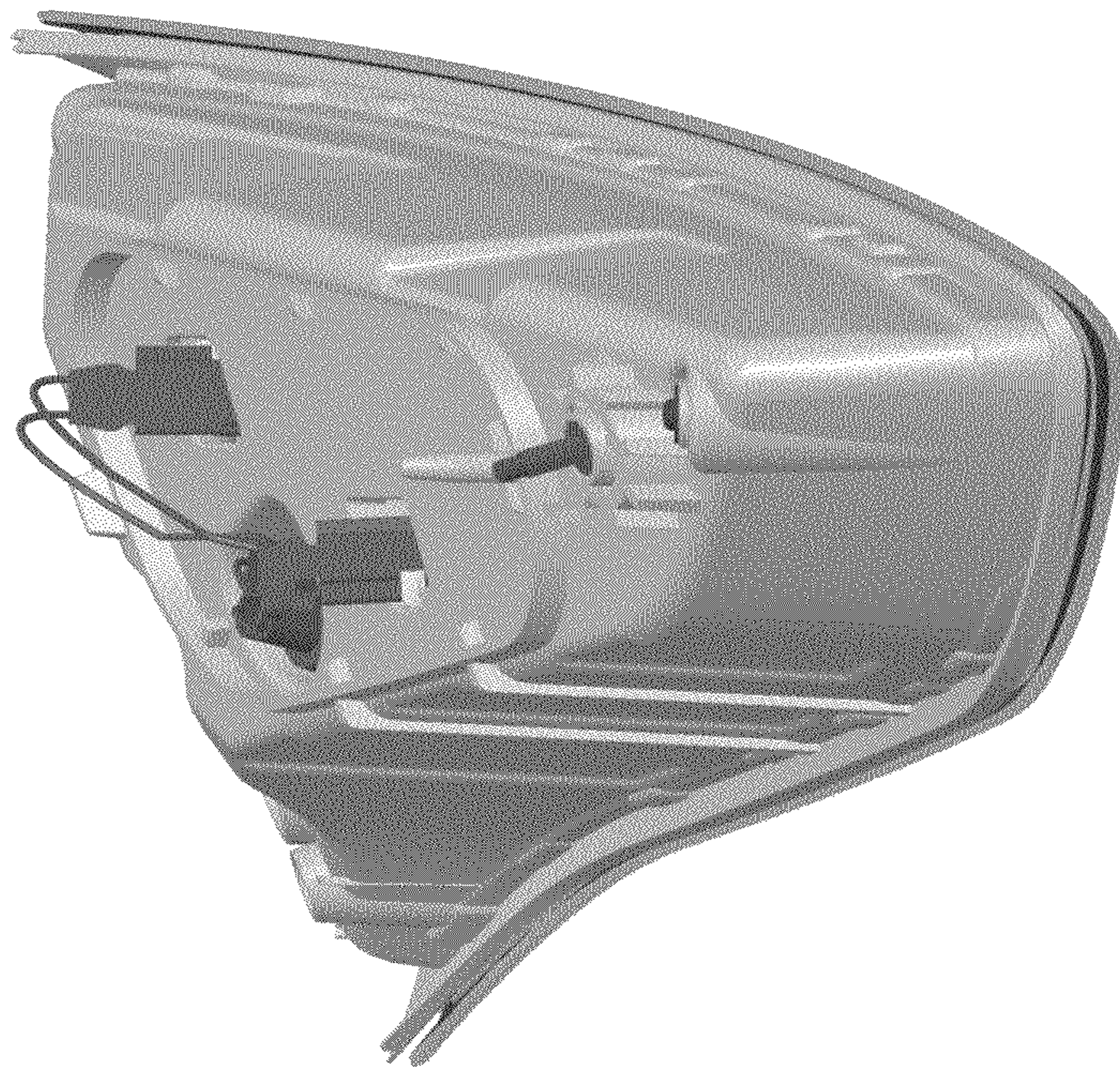


FIG. 3





**FIG. 4**





**FIG. 5**

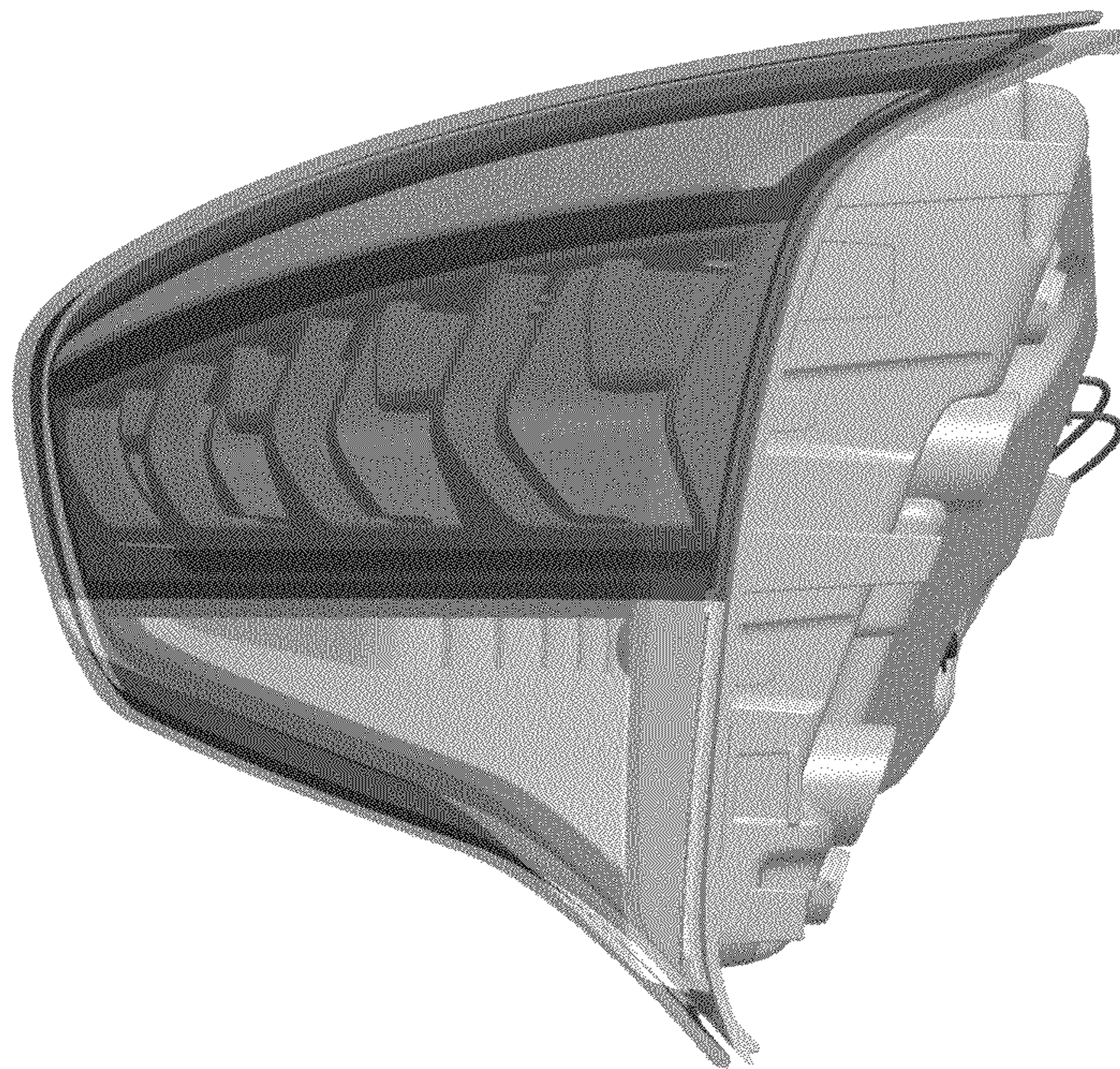




FIG. 6

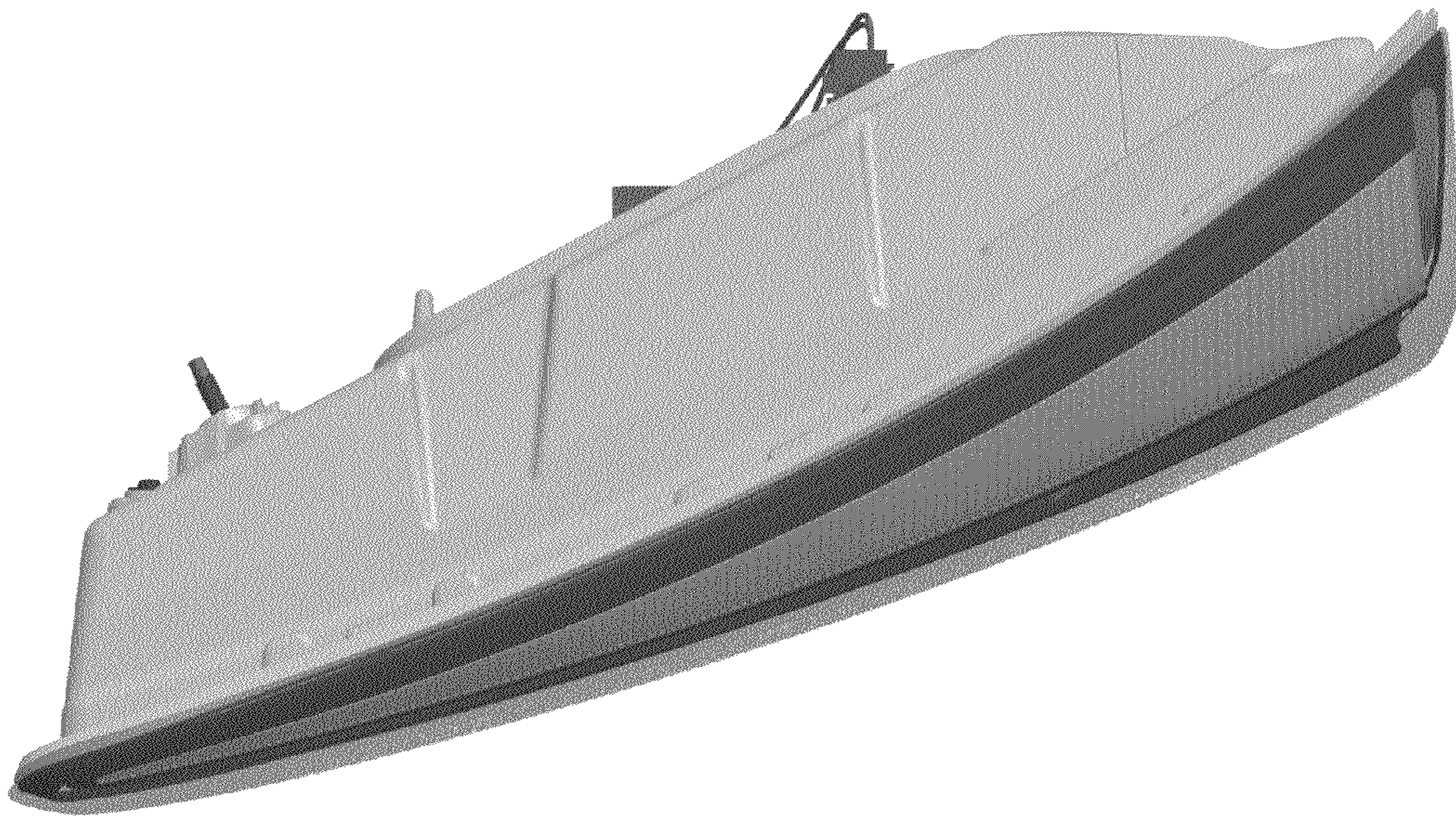




FIG. 7

