



US00D759860S

(12) **United States Design Patent**
Ng et al.

(10) **Patent No.:** **US D759,860 S**
(45) **Date of Patent:** **** Jun. 21, 2016**

- (54) **BICYCLE LIGHTING UNIT**
- (71) Applicant: **Energizer Brands, LLC**
- (72) Inventors: **Michael Ng**, Kowloon (HK); **Kevin O'Doherty**, Tseung Kwan O (HK); **Michael Robert Jerome**, Kowloon (HK); **Fred Marcaly**, Amherst, OH (US)
- (73) Assignee: **Energizer Brands, LLC**, St. Louis, MO (US)
- (**) Term: **14 Years**
- (21) Appl. No.: **29/513,328**
- (22) Filed: **Dec. 30, 2014**
- (51) **LOC (10) Cl.** **26-04**
- (52) **U.S. Cl.**
USPC **D26/28**
- (58) **Field of Classification Search**
USPC D26/28-36; 362/459-468, 475-478, 362/485-487
CPC F21S 48/00; F21S 48/10; F21S 48/115; F21S 48/225; F21S 48/1233; F21S 48/1266; F21S 48/1388; F21S 48/2268; F21V 21/04
See application file for complete search history.

- (56) **References Cited**
U.S. PATENT DOCUMENTS
D592,340 S 5/2009 Liao et al.
D595,884 S 7/2009 Liao et al.
D608,485 S 1/2010 Liao et al.
D631,995 S * 2/2011 Huschke D26/28
D663,451 S * 7/2012 Ueda D26/28

- D667,152 S 9/2012 Hamasaki
- D667,581 S 9/2012 Lee
- D678,562 S 3/2013 Chan
- D679,038 S 3/2013 Hamasaki
- D706,468 S * 6/2014 Nagano D26/28
- D707,376 S 6/2014 Cheung
- D709,222 S * 7/2014 Poon D26/28
- D717,979 S * 11/2014 Ueda D26/28
- 2012/0218771 A1 8/2012 Yen
- 2013/0301285 A1 11/2013 McCaslin et al.

OTHER PUBLICATIONS

Energizer Product Datasheet, Bike Light Kit—Rear, 1 page, no date.
Energizer Product Datasheet, Bike Light Kit—Front, 1 page, no date.
Energizer Bike Light Kit '2013, 1 page.

* cited by examiner

Primary Examiner — Marcus Jackson

(74) *Attorney, Agent, or Firm* — McDonald Hopkins LLC

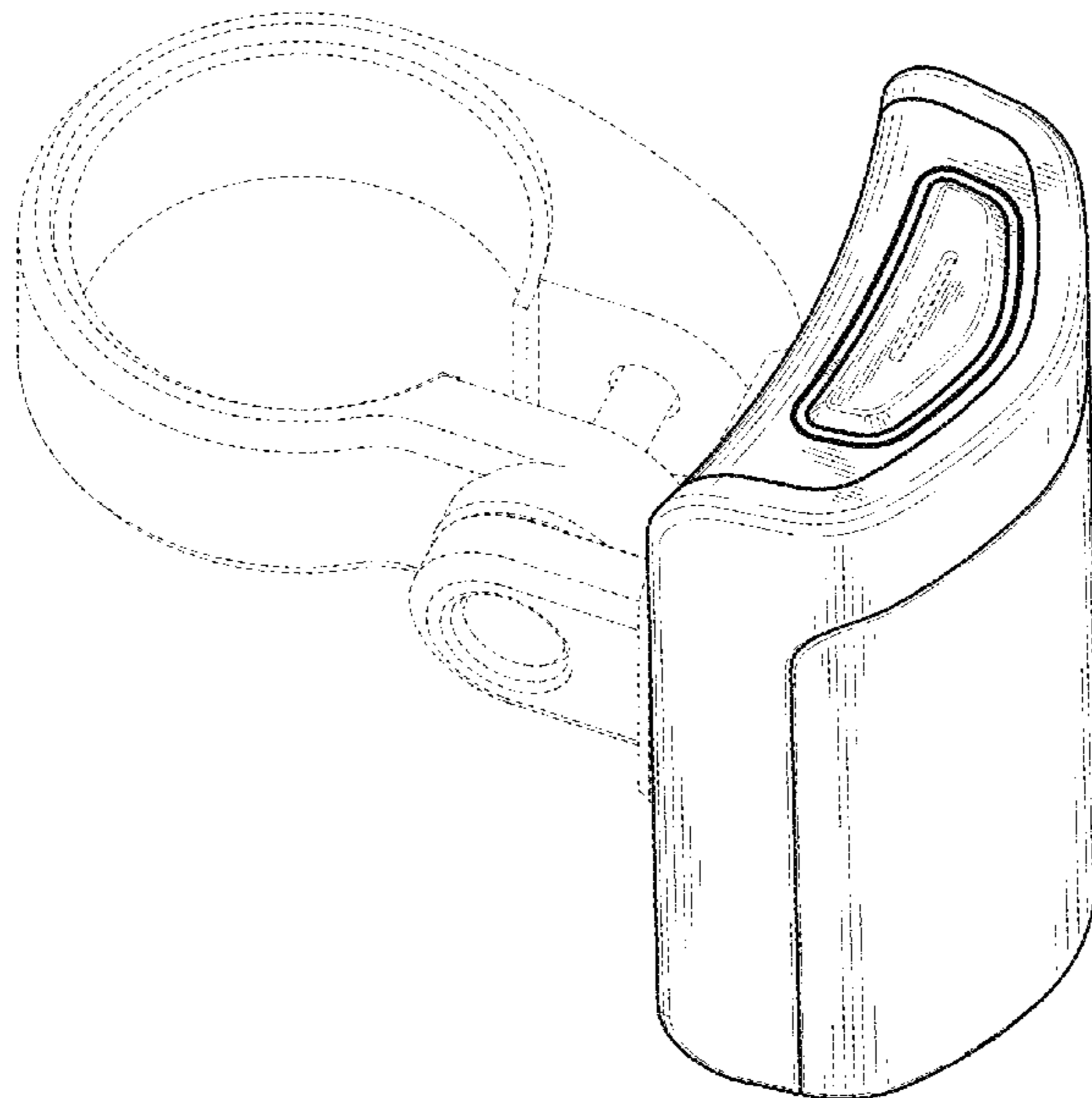
(57) **CLAIM**

We claim the ornamental design for a bicycle lighting unit, as shown and described.

DESCRIPTION

FIG. 1 is an upper front perspective view of the design;
FIG. 2 is a lower rear perspective view of the design;
FIG. 3 is a left side view of the design;
FIG. 4 is a right side view of the design;
FIG. 5 is a top view of the design;
FIG. 6 is a bottom view of the design;
FIG. 7 is a front view of the design; and,
FIG. 8 is a back view of the design.
Any broken lines shown are for illustrative purposes only and form no part of the claimed design.

1 Claim, 4 Drawing Sheets



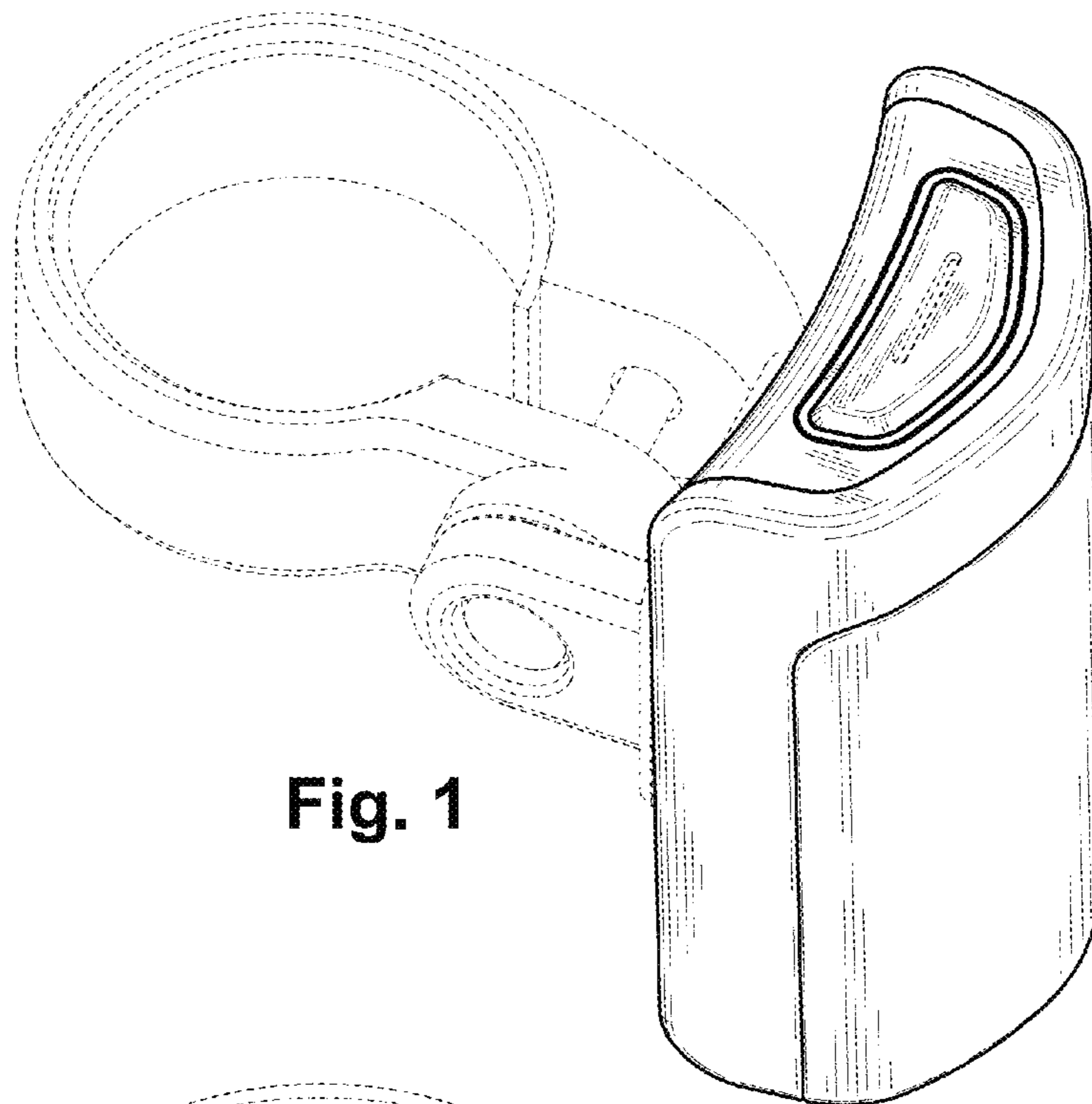


Fig. 1

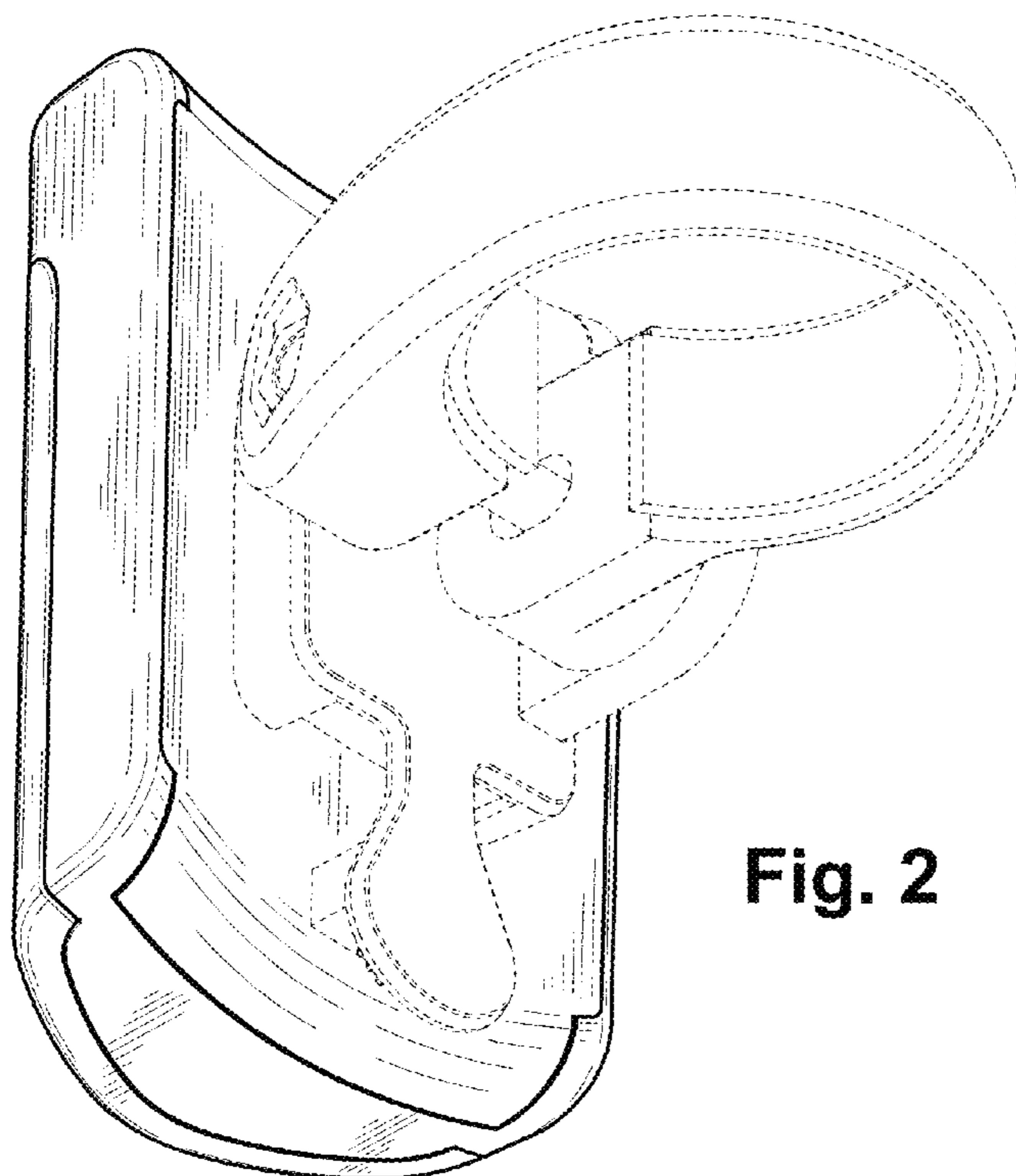


Fig. 2

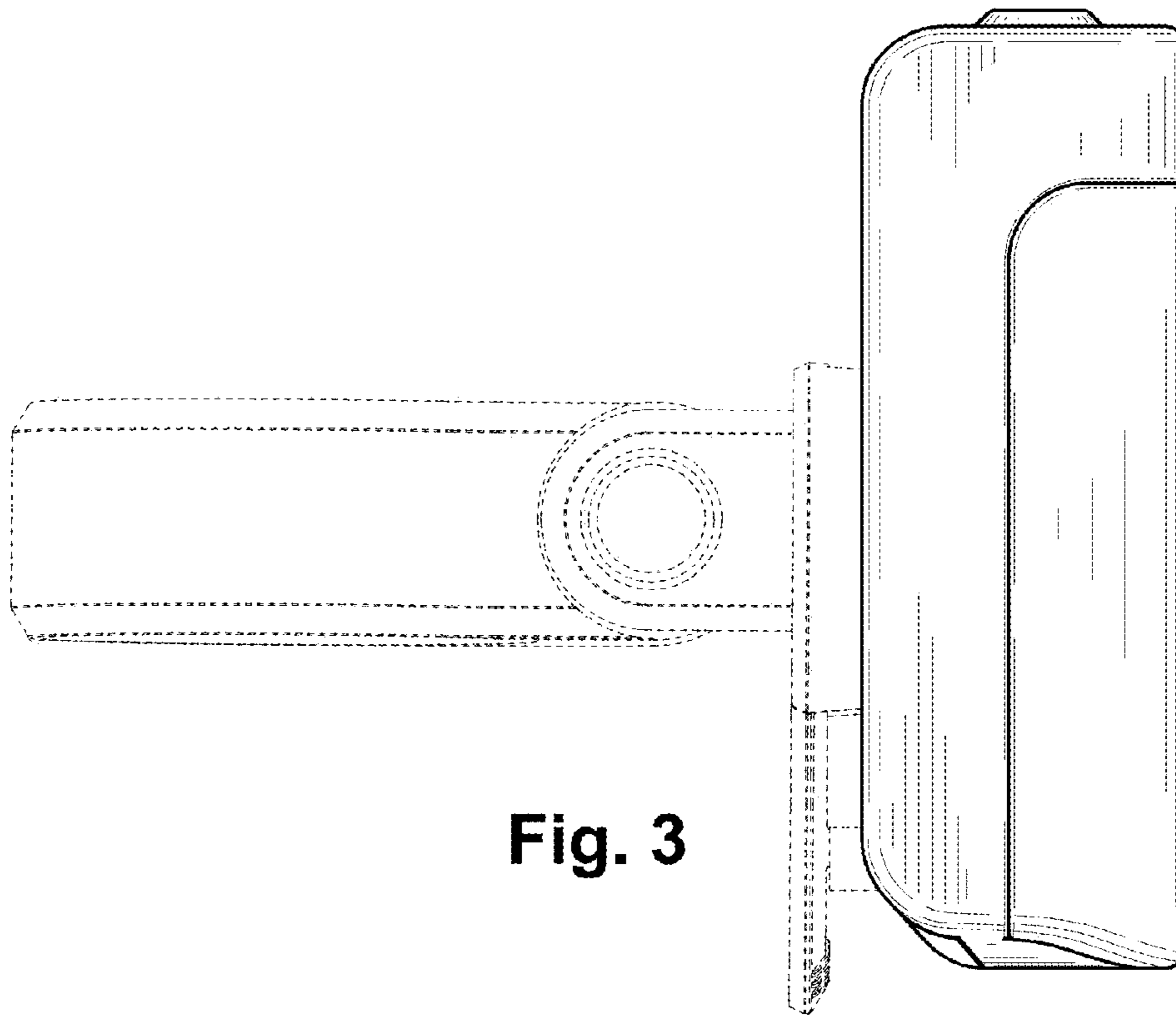


Fig. 3

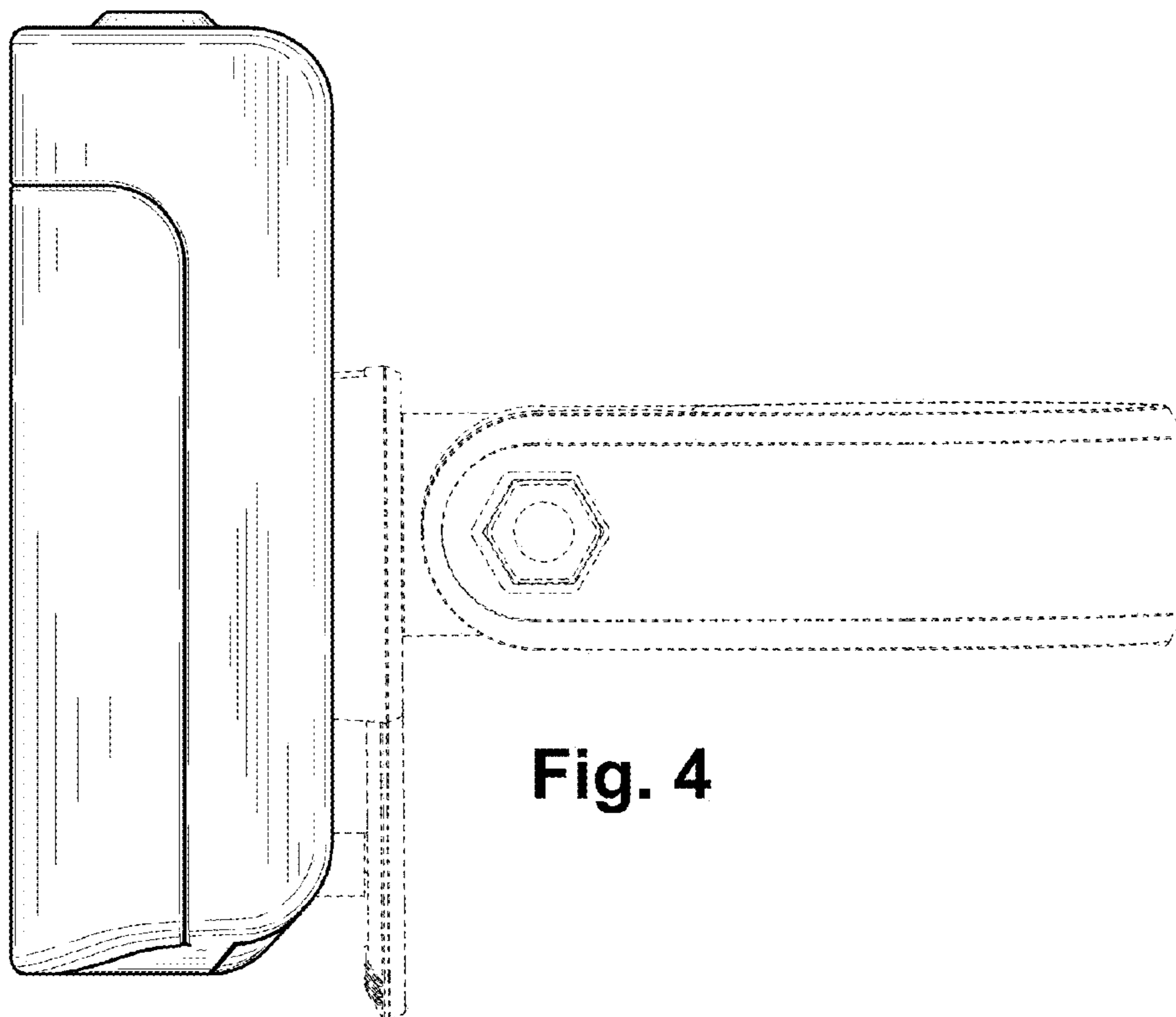


Fig. 4

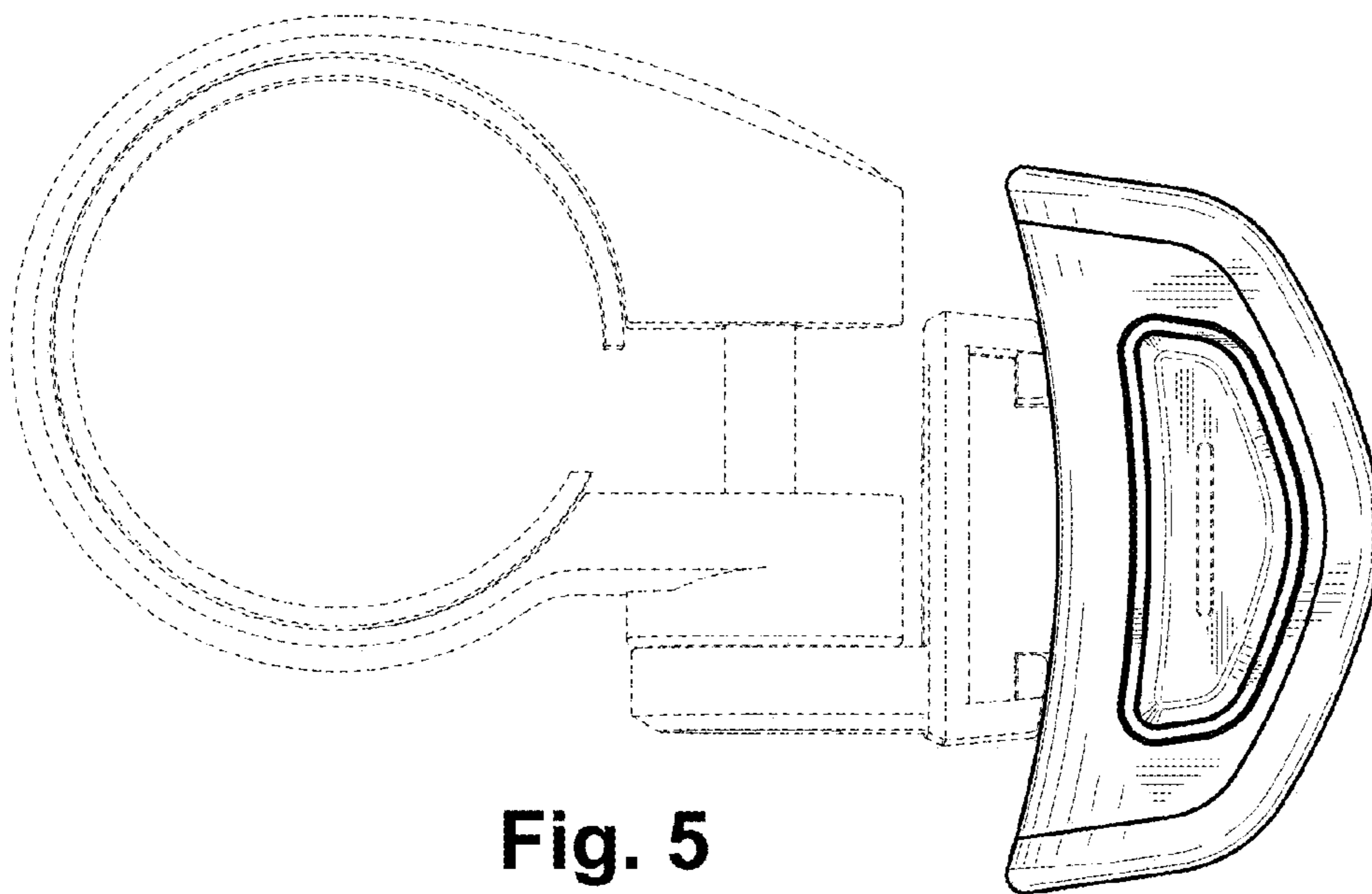


Fig. 5

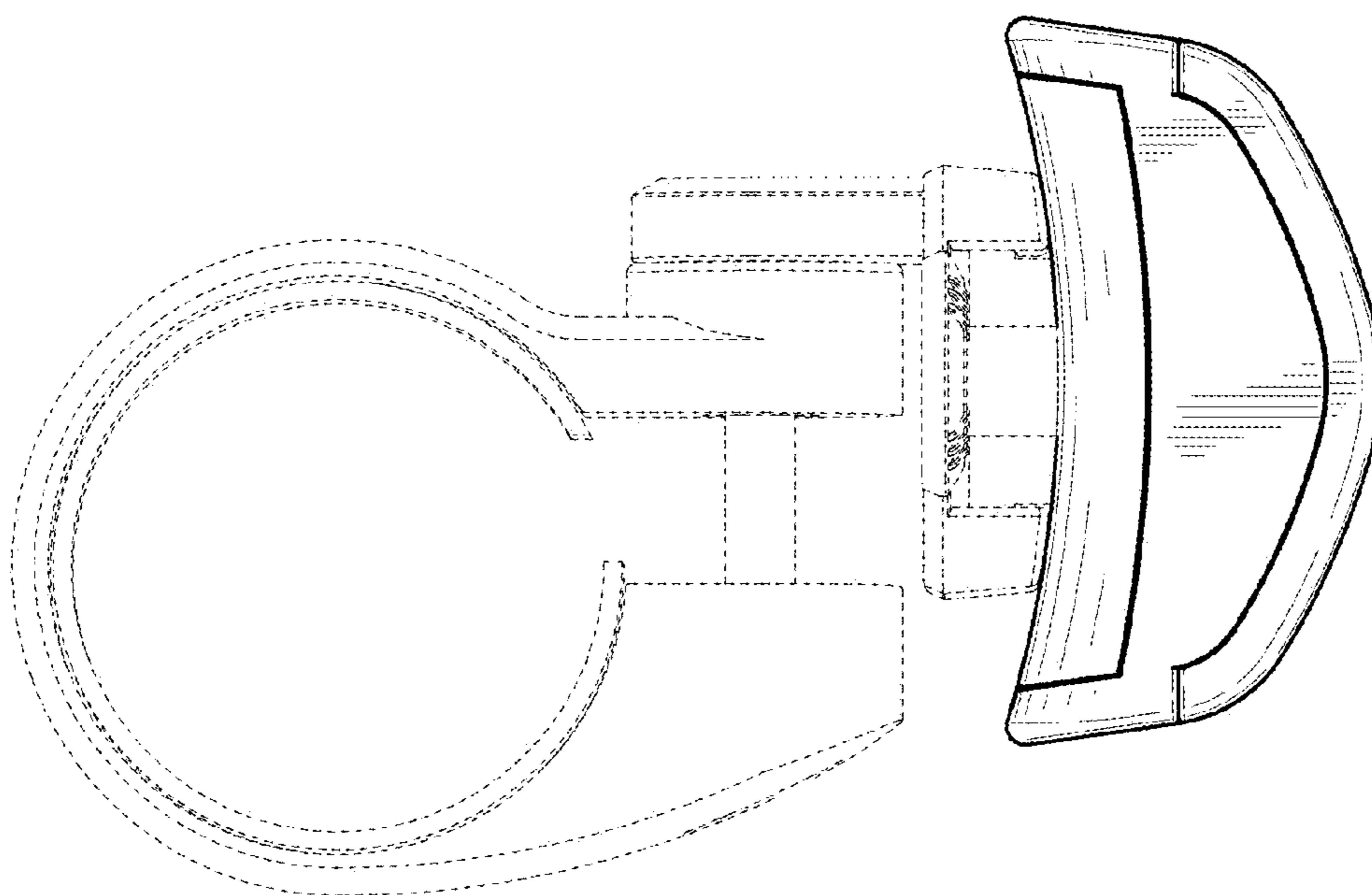


Fig. 6

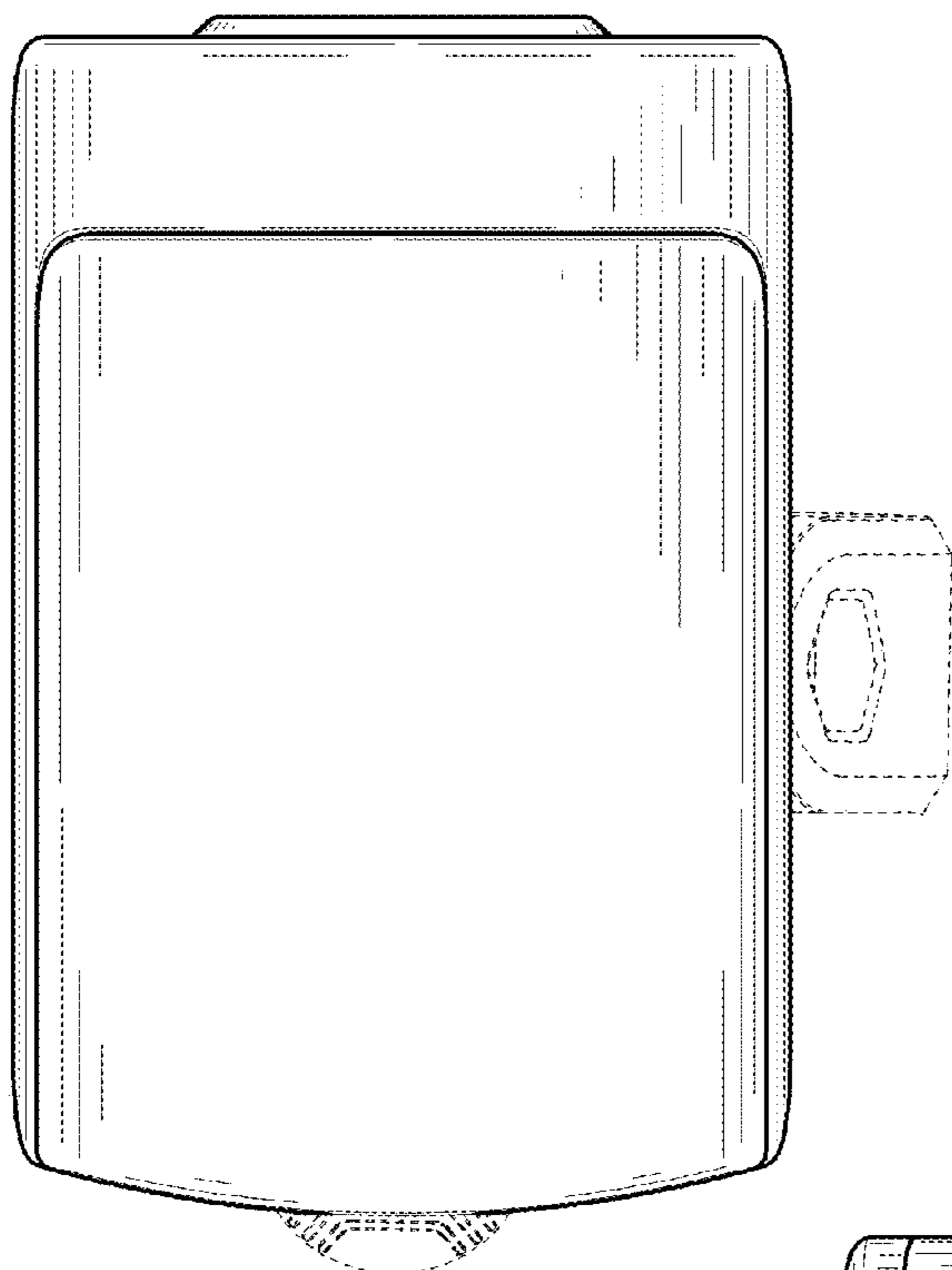


Fig. 7

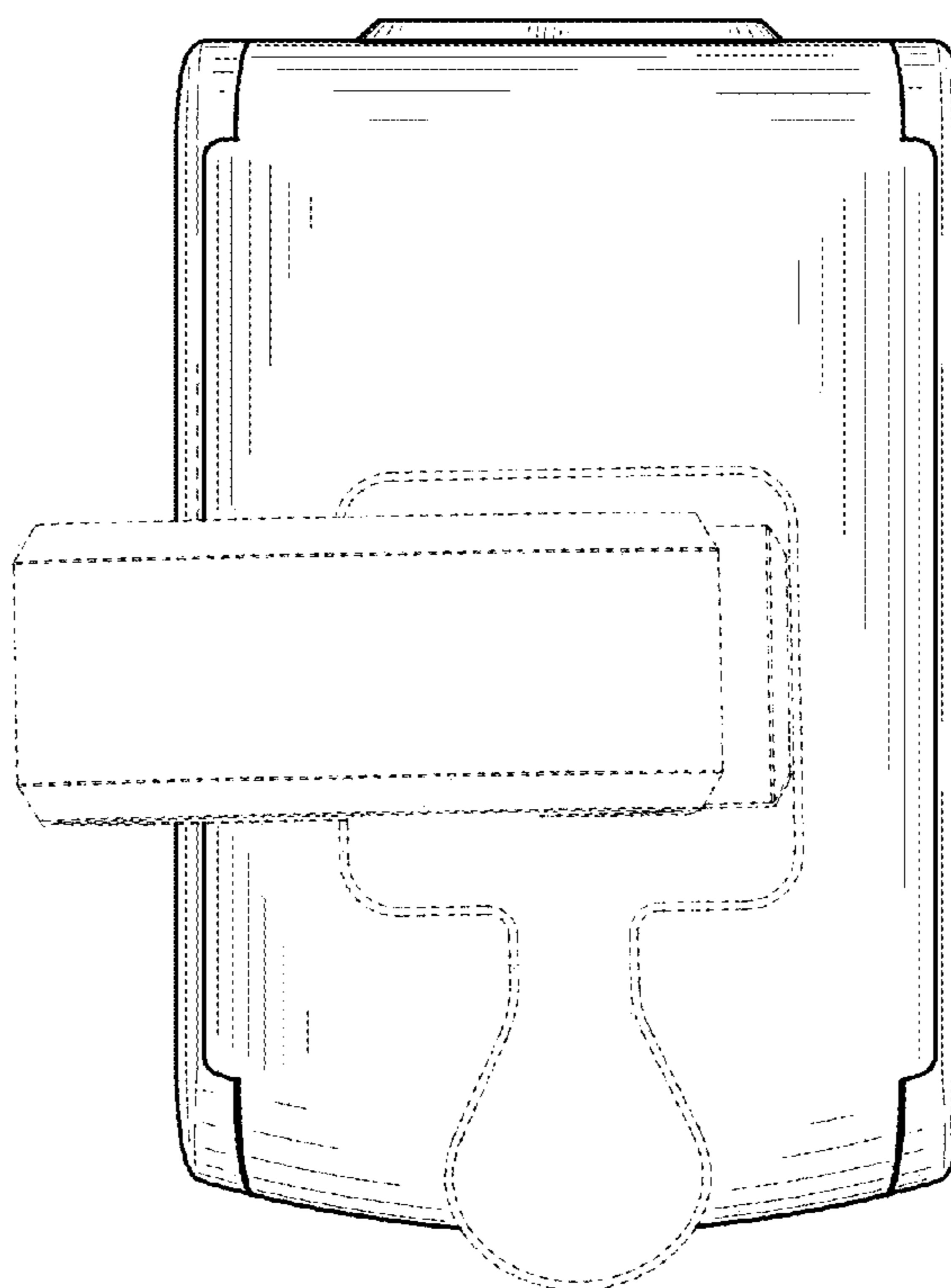


Fig. 8