



US00D759858S

(12) **United States Design Patent**
Li

(10) **Patent No.:** **US D759,858 S**
(45) **Date of Patent:** **** Jun. 21, 2016**

(54) **ELECTRONIC LIGHT BULB WITH A MOVABLE FLAME**

2003/0053305 A1 3/2003 Lin
2004/0165374 A1 8/2004 Robinson
2007/0002560 A1 1/2007 Gutstein et al.

(Continued)

(71) Applicant: **Xiaofeng Li**, Shenzhen (CN)

(72) Inventor: **Xiaofeng Li**, Shenzhen (CN)

(**) Term: **14 Years**

(21) Appl. No.: **29/511,518**

(22) Filed: **Dec. 11, 2014**

(51) **LOC (10) Cl.** **26-06**

(52) **U.S. Cl.**
USPC **D26/5; D26/2**

(58) **Field of Classification Search**
USPC D26/1-5; 313/313, 315, 316, 317, 318,
313/493; 315/52, 53, 56, 57, 58
CPC H01J 5/48; H01J 5/50; H01J 19/54;
F21V 5/00

See application file for complete search history.

(56) **References Cited**

U.S. PATENT DOCUMENTS

D102,561 S	12/1936	Lamb	
D245,187 S *	7/1977	Moriyama	D26/2
4,328,534 A	5/1982	Abe	
4,551,794 A	11/1985	Sandell	
D431,306 S *	9/2000	Tsai	D26/5
6,454,425 B1	9/2002	Lin	
7,159,994 B2	1/2007	Schnuckle	
D545,458 S	6/2007	Jensen	
7,261,455 B2	8/2007	Schnuckle	
D567,993 S	4/2008	Shiu	
D576,317 S *	9/2008	Jensen	D26/5
D589,176 S	3/2009	Huang et al.	
D599,491 S	9/2009	Luo	
7,686,471 B2	3/2010	Reichow	
7,837,355 B2	11/2010	Schnuckle	

FOREIGN PATENT DOCUMENTS

CN 2551859 5/2003
CN 2562059 7/2003

(Continued)

OTHER PUBLICATIONS

Design U.S. Appl. No. 29/443,863, filed Jan. 23, 2013, Li.

(Continued)

Primary Examiner — Marcus Jackson

(74) *Attorney, Agent, or Firm* — Perkins Coie LLP

(57) **CLAIM**

The ornamental design for an electronic light bulb with a moveable flame, as shown and described.

DESCRIPTION

FIG. 1 is a front view of an electronic light bulb with a moveable flame of the present disclosure;

FIG. 2 is a rear view of the electronic light bulb of FIG. 1;

FIG. 3 is a right side view of the electronic light bulb of FIG. 1;

FIG. 4 is a left side view of the electronic light bulb of FIG. 1;

FIG. 5 is a top view of the electronic light bulb of FIG. 1;

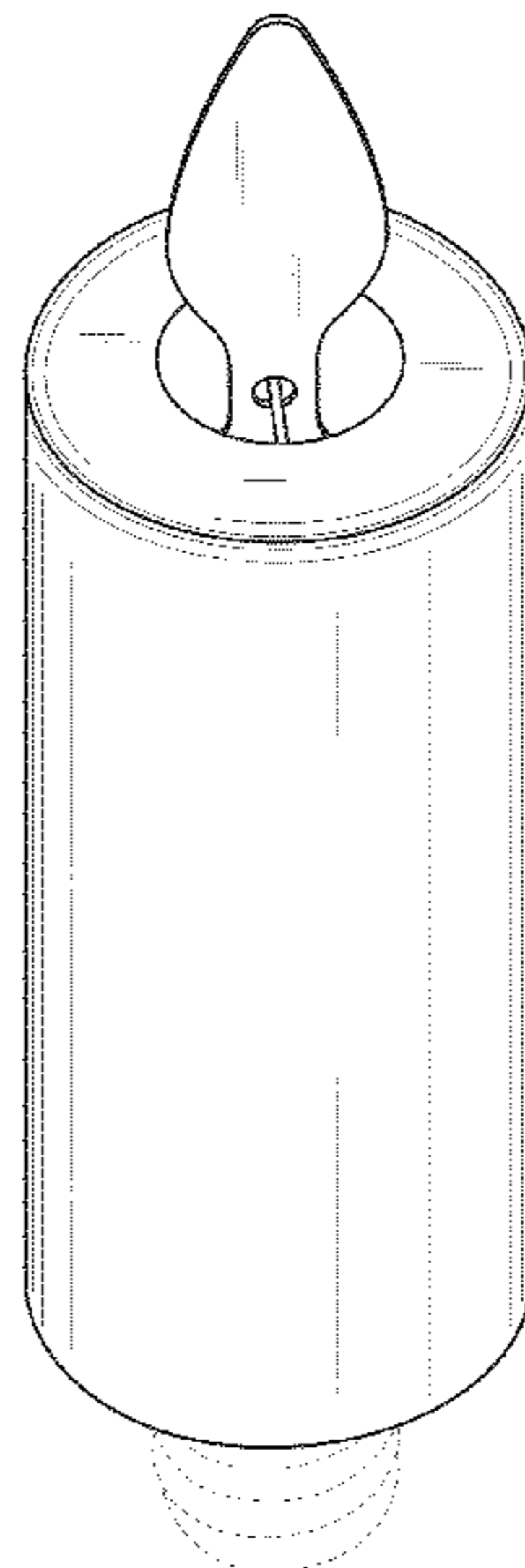
FIG. 6 is a bottom view of the electronic light bulb of FIG. 1;

FIG. 7 is a perspective view of the top of the electronic light bulb of FIG. 1; and,

FIG. 8 is perspective view of the bottom of the electronic light bulb of FIG. 1.

The broken lines of FIGS. 1-8 are provided for purposes of illustration and form no part of the claimed design of the present application.

1 Claim, 7 Drawing Sheets



(56)

References Cited

OTHER PUBLICATIONS

U.S. PATENT DOCUMENTS

2007/0159422 A1 7/2007 Blandino et al.
2008/0129226 A1 6/2008 DeWitt et al.
2010/0079999 A1 4/2010 Schnuckle
2012/0134157 A1 5/2012 Li

FOREIGN PATENT DOCUMENTS

CN 201103952 8/2008
CN 201159425 12/2008
CN 101865413 10/2010
CN 102748589 10/2012
GB 2323159 9/1998
GB 2379731 3/2003
WO 2006020839 2/2006

Design U.S. Appl. No. 29/450,118, filed Mar. 15, 2013, Li.
Design U.S. Appl. No. 29/450,125, filed Mar. 15, 2013, Li.
Design U.S. Appl. No. 29/493,987, filed Jun. 16, 2014, Li.
Design U.S. Appl. No. 29/493,988, filed Jun. 16, 2014, Li.
Design U.S. Appl. No. 29/493,990, filed Jun. 16, 2014, Li.
Design U.S. Appl. No. 29/493,996, filed Jun. 16, 2014, Li.
Design U.S. Appl. No. 29/511,278, filed Dec. 9, 2014, Li.
Design U.S. Appl. No. 29/511,518, filed Dec. 11, 2014, Li.
Design U.S. Appl. No. 29/517,722, filed Feb. 16, 2015, Li.
U.S. Appl. No. 61/101,611, filed Sep. 30, 2008, Schnuckle.
International Search Report and Written Opinion for related PCT
Application No. PCT/CN2014/073557 mailed Jul. 2, 2014 (11
pages).

* cited by examiner

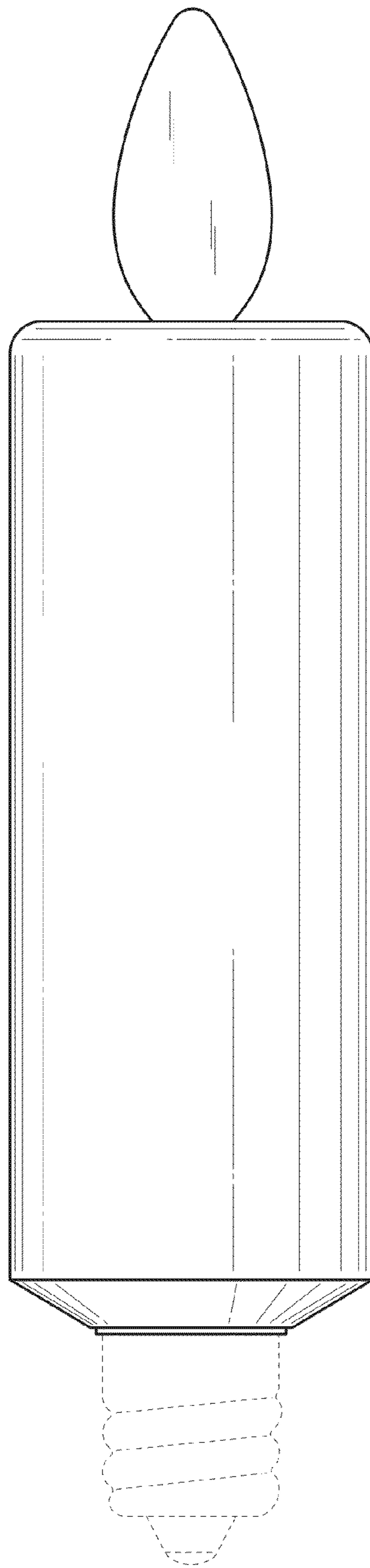


Fig. 1

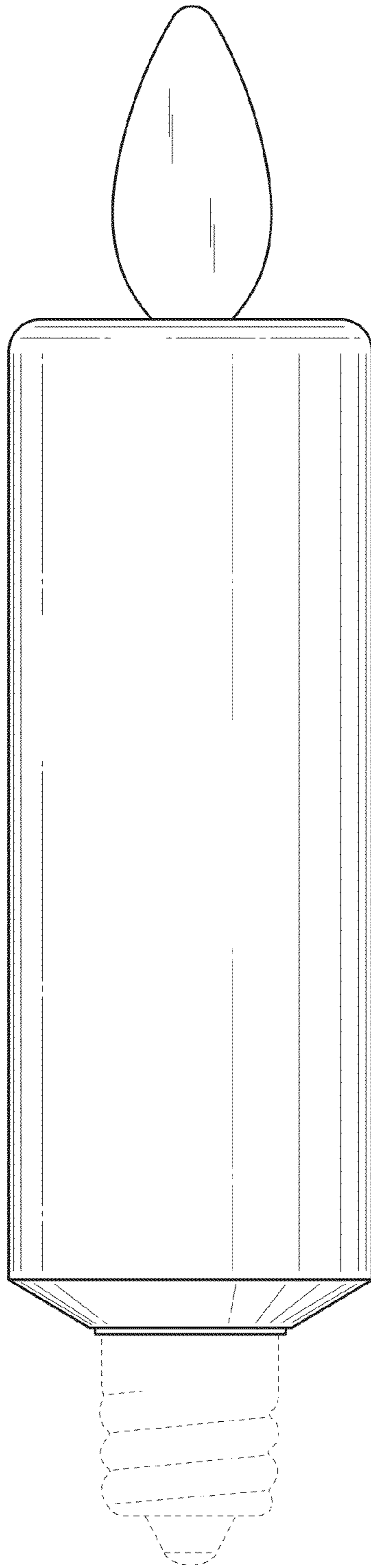


Fig. 2

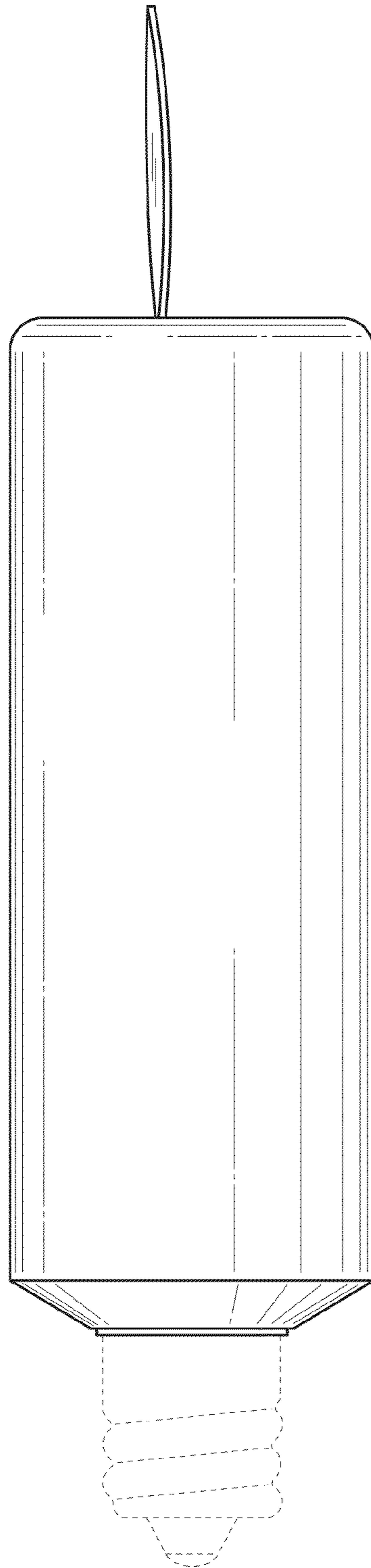


Fig. 3

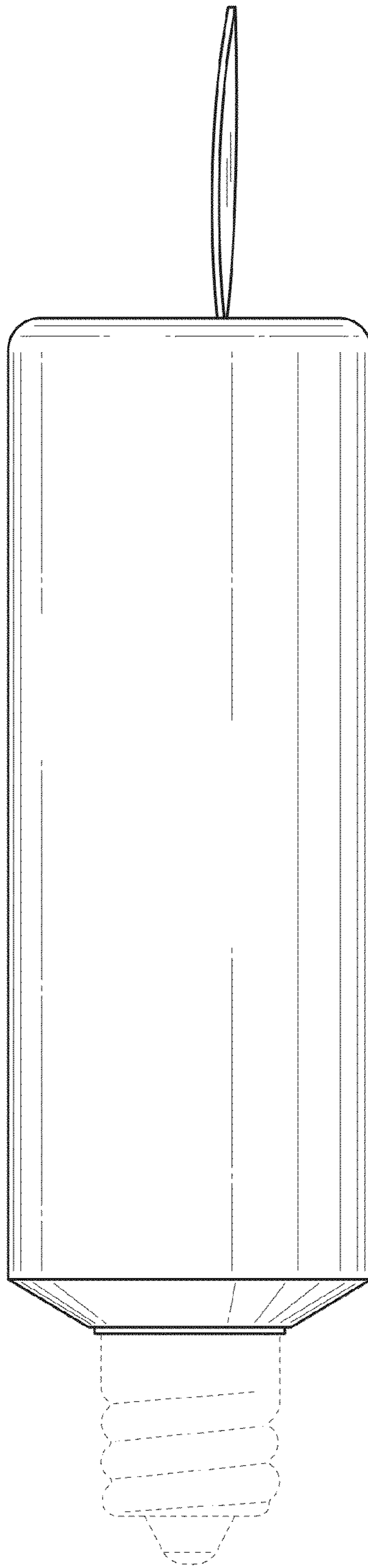


Fig. 4

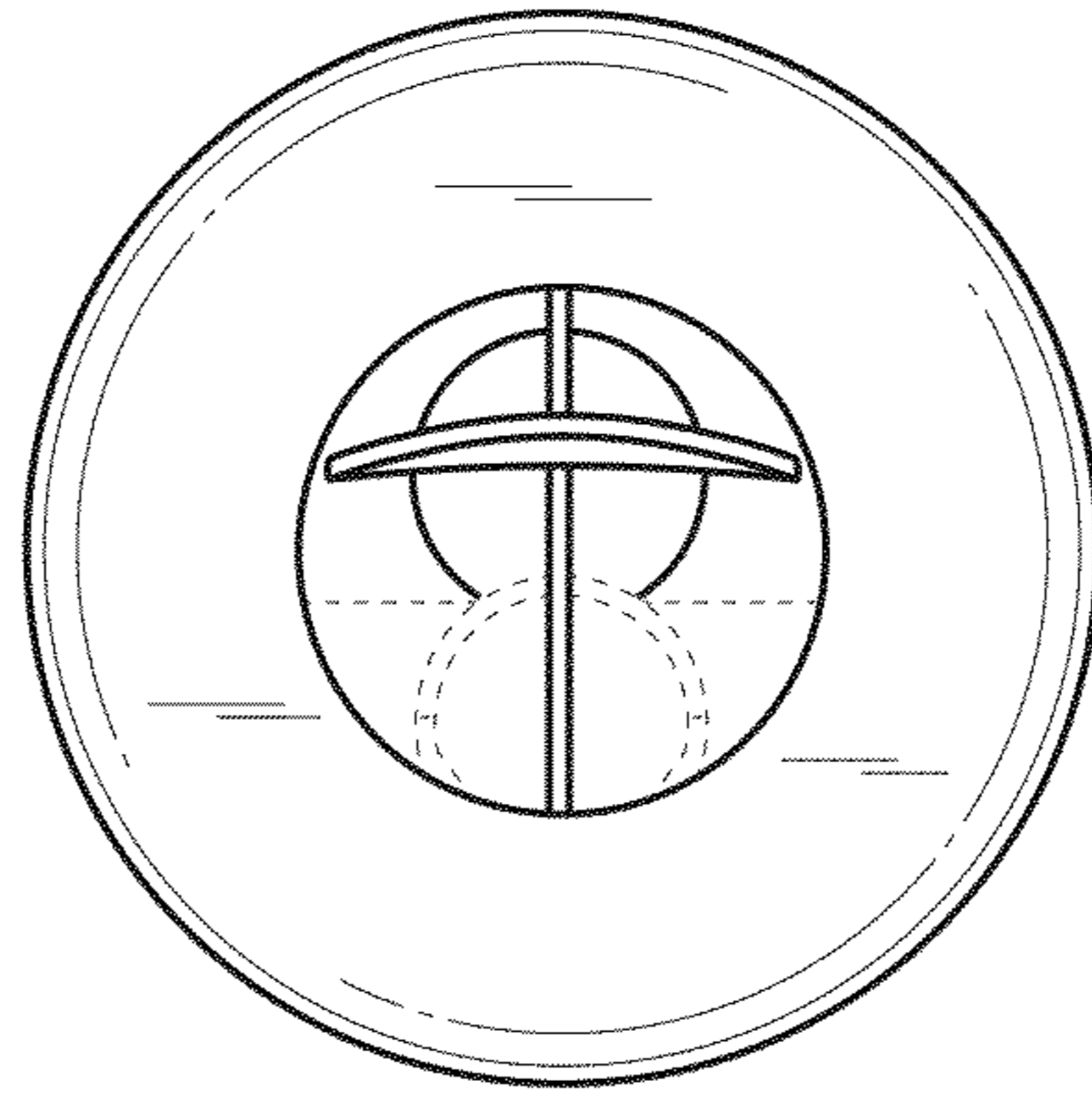


Fig. 5

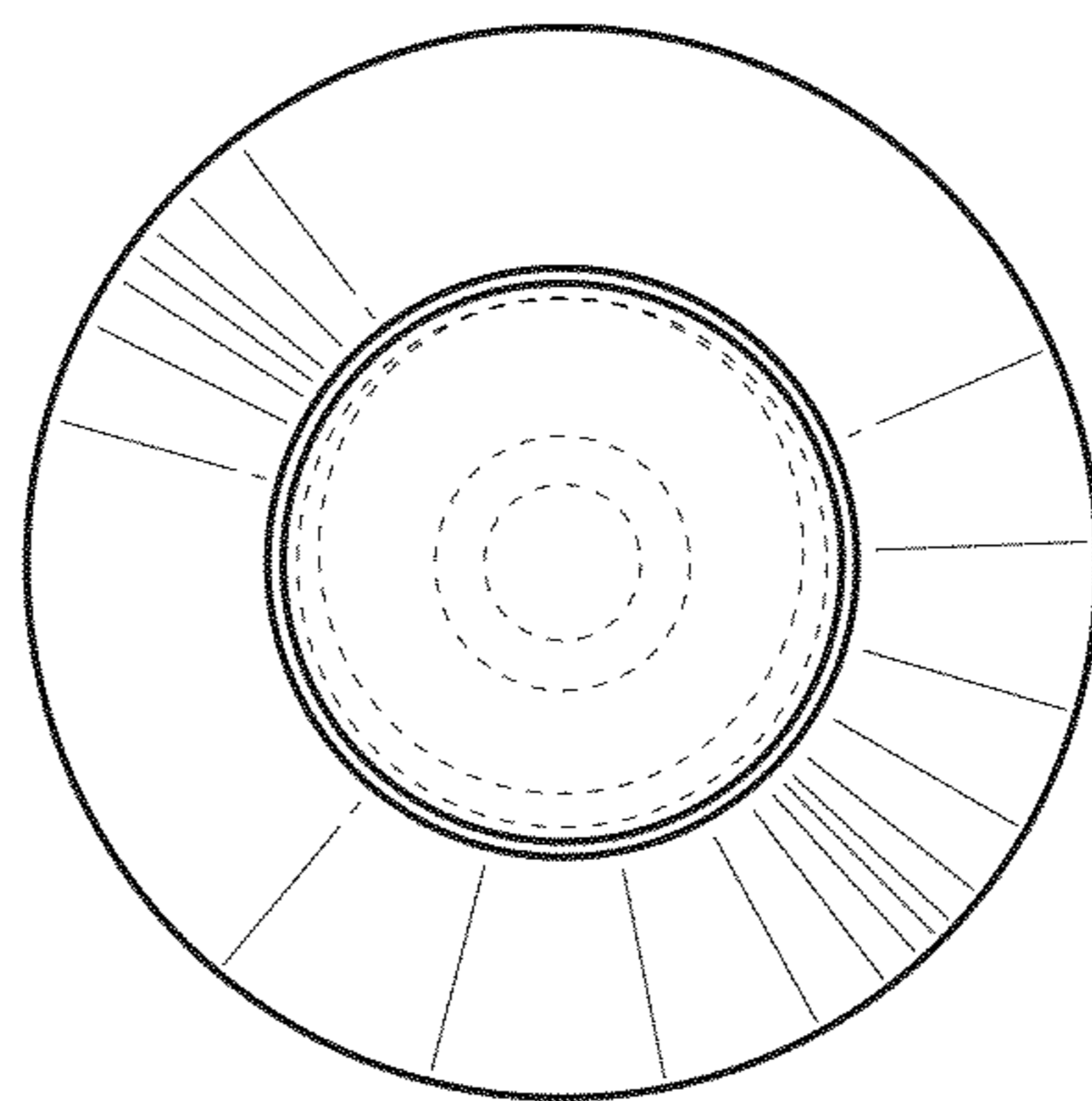


Fig. 6

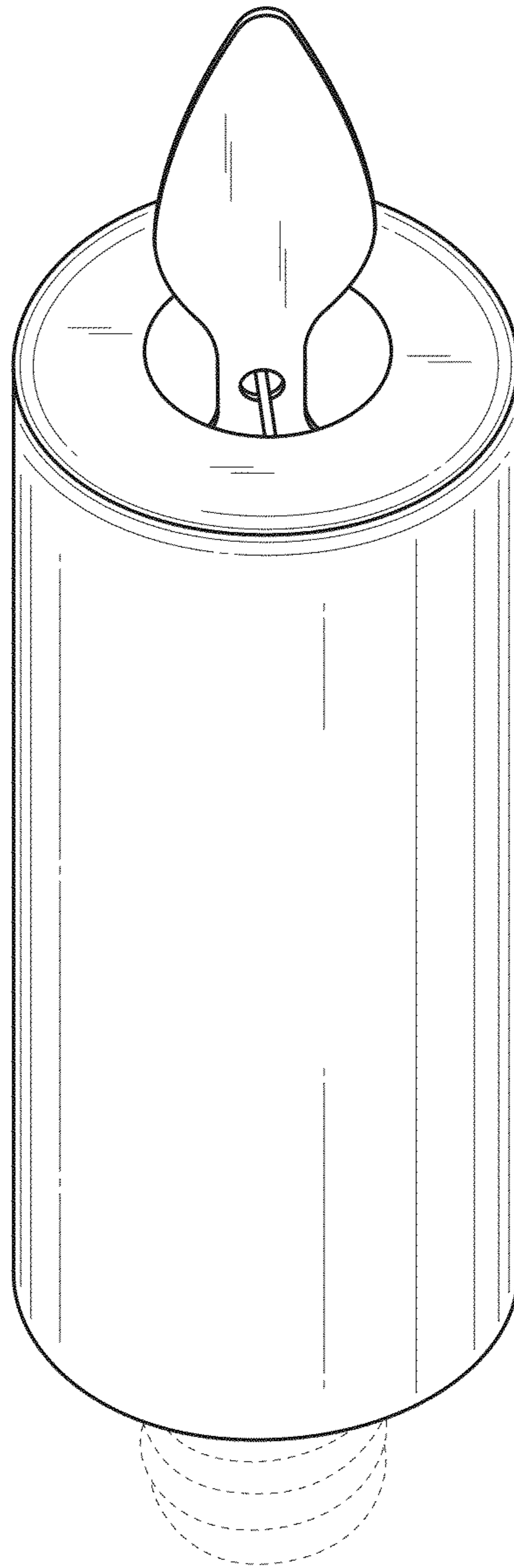


Fig. 7

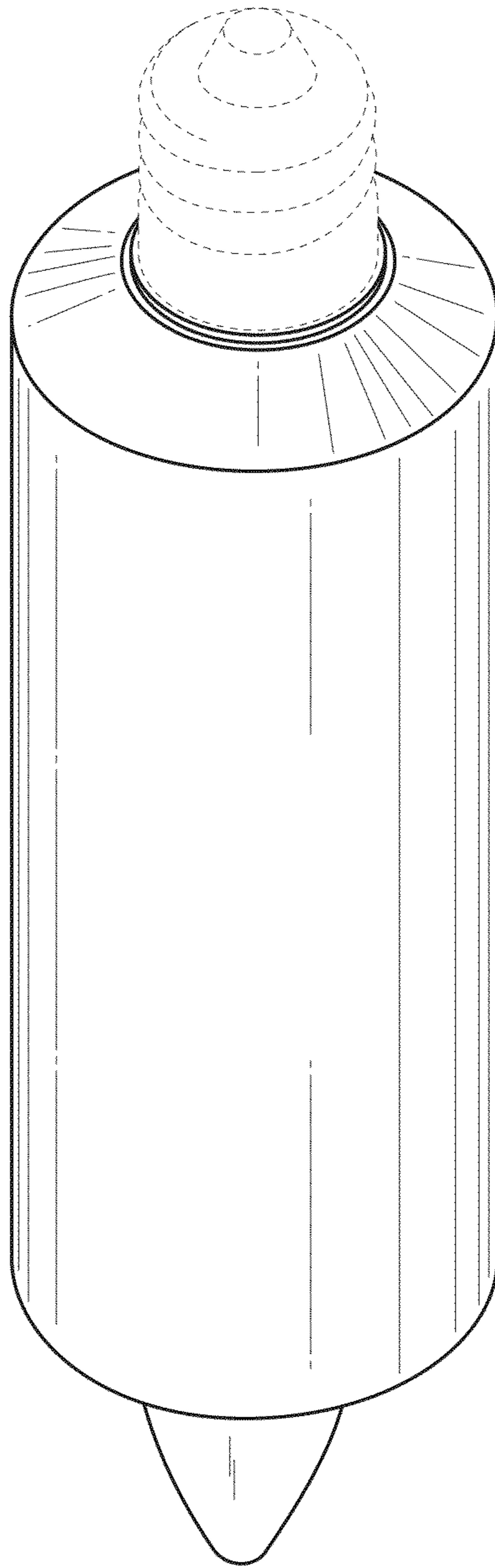


Fig. 8