



US00D759854S

(12) **United States Design Patent**  
**Wang et al.**

(10) **Patent No.:** **US D759,854 S**  
(45) **Date of Patent:** **\*\* Jun. 21, 2016**

(54) **ILLUMINATING ELEMENTS IN A BULB**

(71) Applicant: **Formosa Epitaxy Incorporation,**  
Taoyuan County (TW)  
(72) Inventors: **Tzu-Hsiang Wang,** Taoyuan County  
(TW); **Chi-Chih Pu,** Taoyuan County  
(TW); **Chen-Hong Lee,** Taoyuan County  
(TW)

(73) Assignee: **Formosa Epitaxy Incorporation,**  
Taoyuan (TW)

(\*\*) Term: **14 Years**

(21) Appl. No.: **29/507,670**

(22) Filed: **Oct. 30, 2014**

(30) **Foreign Application Priority Data**

Aug. 7, 2014 (TW) ..... 103304631

(51) **LOC (10) Cl.** ..... **26-06**

(52) **U.S. Cl.**  
USPC ..... **D26/2**

(58) **Field of Classification Search**  
USPC ..... D26/1-4; 313/313, 315, 316, 317, 318,  
313/493; 315/52, 53, 56, 57, 58  
CPC ..... H01J 5/48; H01J 5/50; H01J 19/54;  
F21V 5/00

See application file for complete search history.

(56) **References Cited**

U.S. PATENT DOCUMENTS

D470,255 S \* 2/2003 Lodhie ..... F21K 9/135  
D26/3  
D536,107 S \* 1/2007 Egawa ..... D26/2  
D543,288 S \* 5/2007 Bembridge ..... D26/2

FOREIGN PATENT DOCUMENTS

CN 302484926 6/2013  
CN 302544254 8/2013  
CN 302799171 4/2014

OTHER PUBLICATIONS

“Office Action of Taiwan Counterpart Application”, issued on Mar. 12, 2015, p. 1-p. 3.

\* cited by examiner

*Primary Examiner* — Marcus Jackson

(74) *Attorney, Agent, or Firm* — Jianq Chyun IP Office

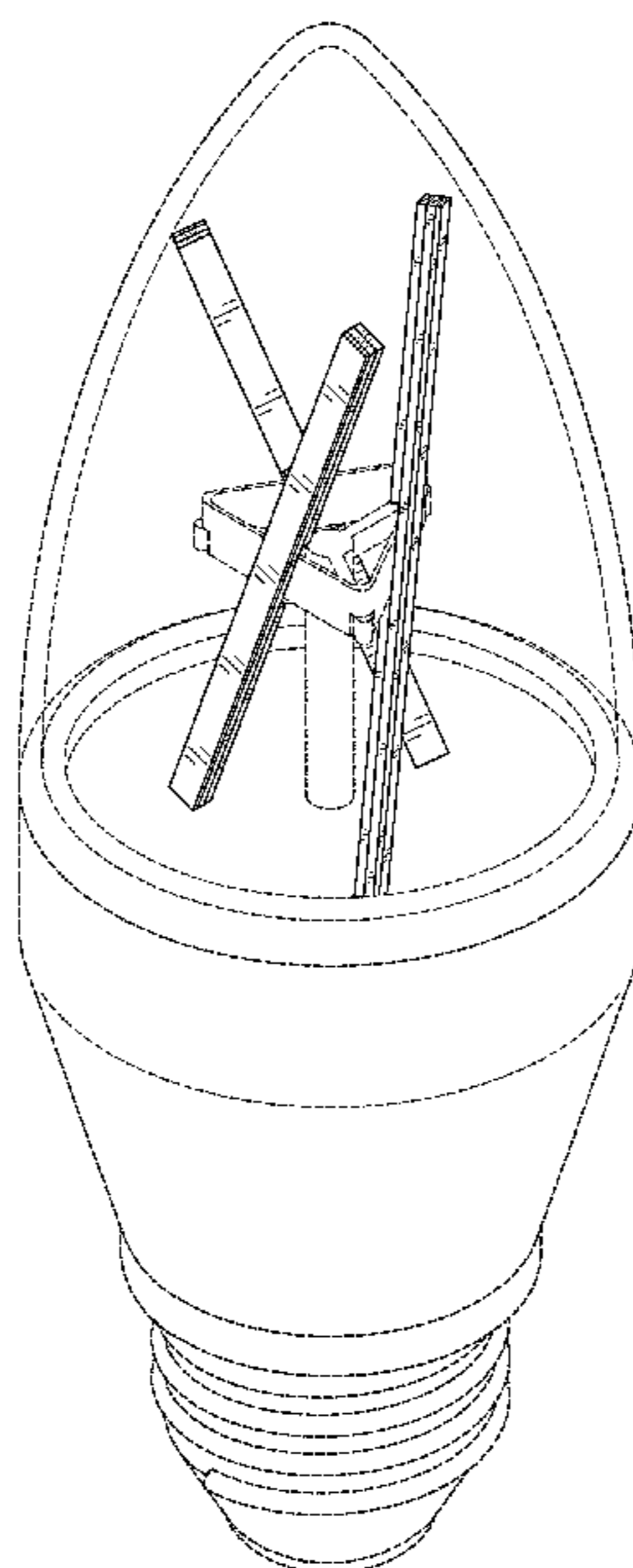
(57) **CLAIM**

The ornamental design for an illuminating elements in a bulb, as shown and described.

**DESCRIPTION**

FIG. 1 is a perspective view of an illuminating elements in a bulb showing an embodiment of my new design;  
FIG. 2 is a front view of the embodiment;  
FIG. 3 is a rear view of the embodiment;  
FIG. 4 is a left side view of the embodiment;  
FIG. 5 is a right side view of the embodiment;  
FIG. 6 is a top view of the embodiment; and,  
FIG. 7 is a bottom view of the embodiment.  
The broken line portions of the illuminating elements in a bulb in FIGS. 1-7 represent unclaimed portions of the design and form no part thereof.

**1 Claim, 6 Drawing Sheets**



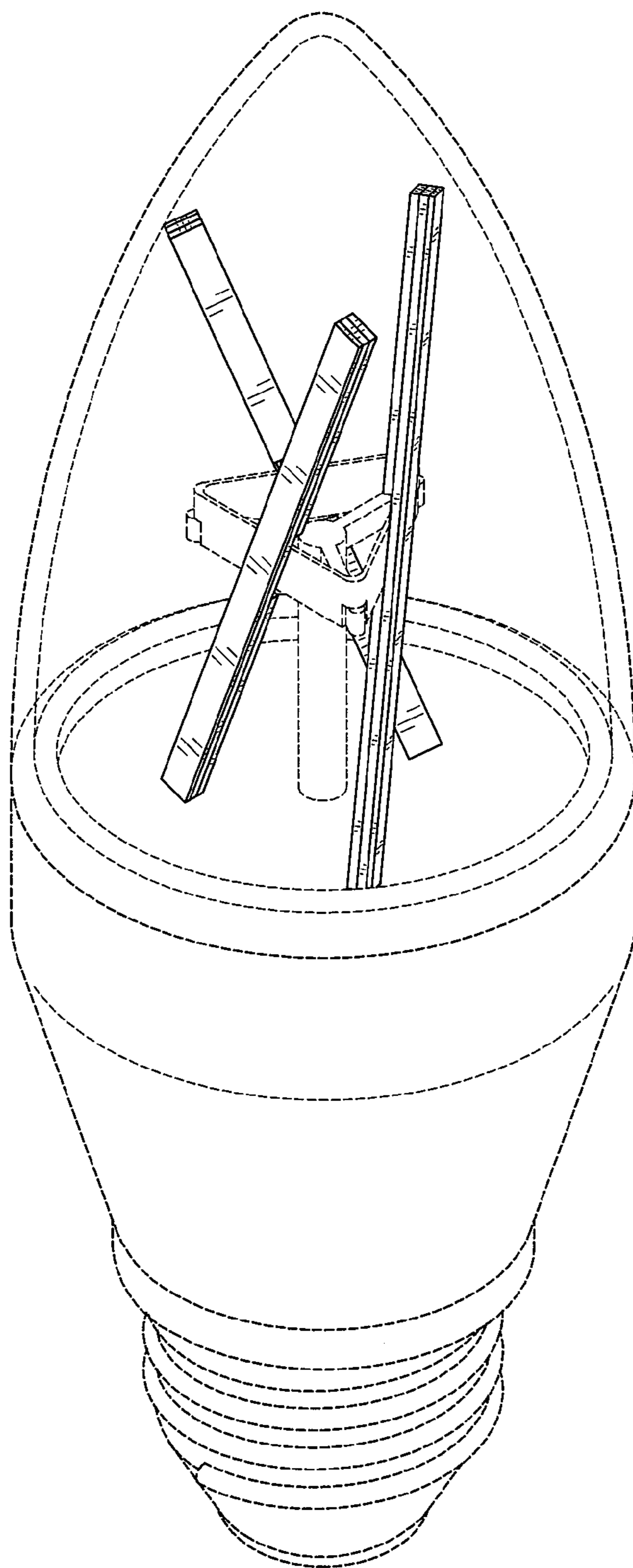


FIG. 1

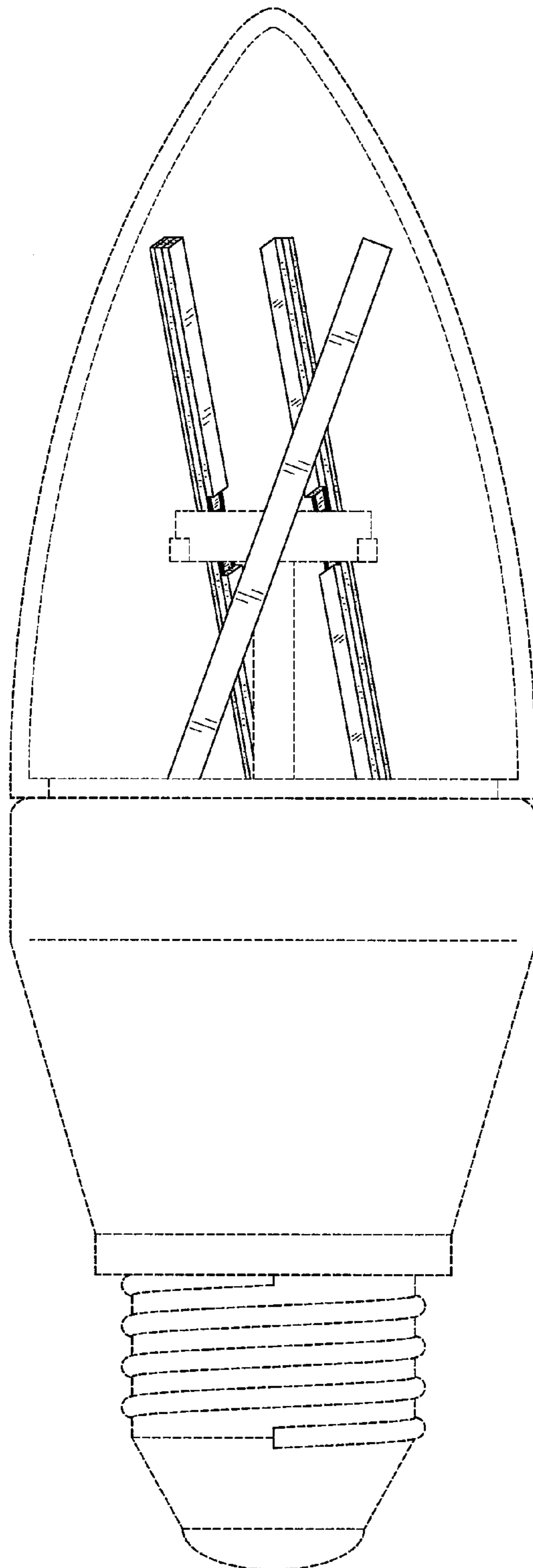


FIG. 2

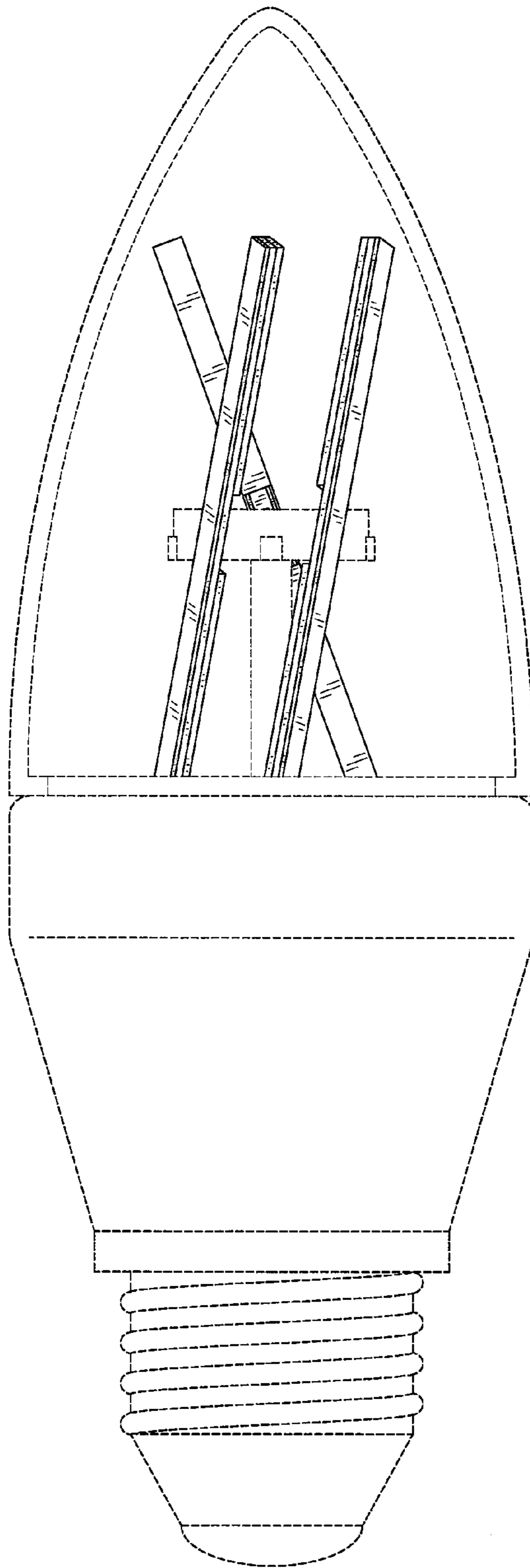


FIG. 3

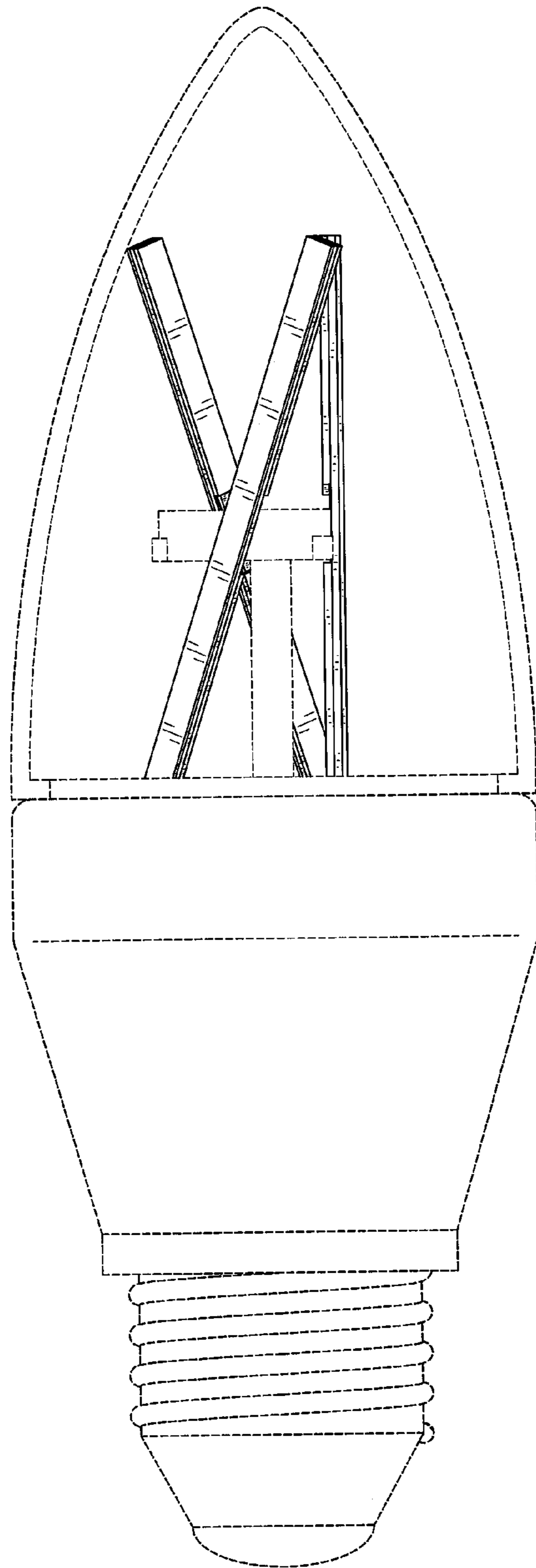


FIG. 4

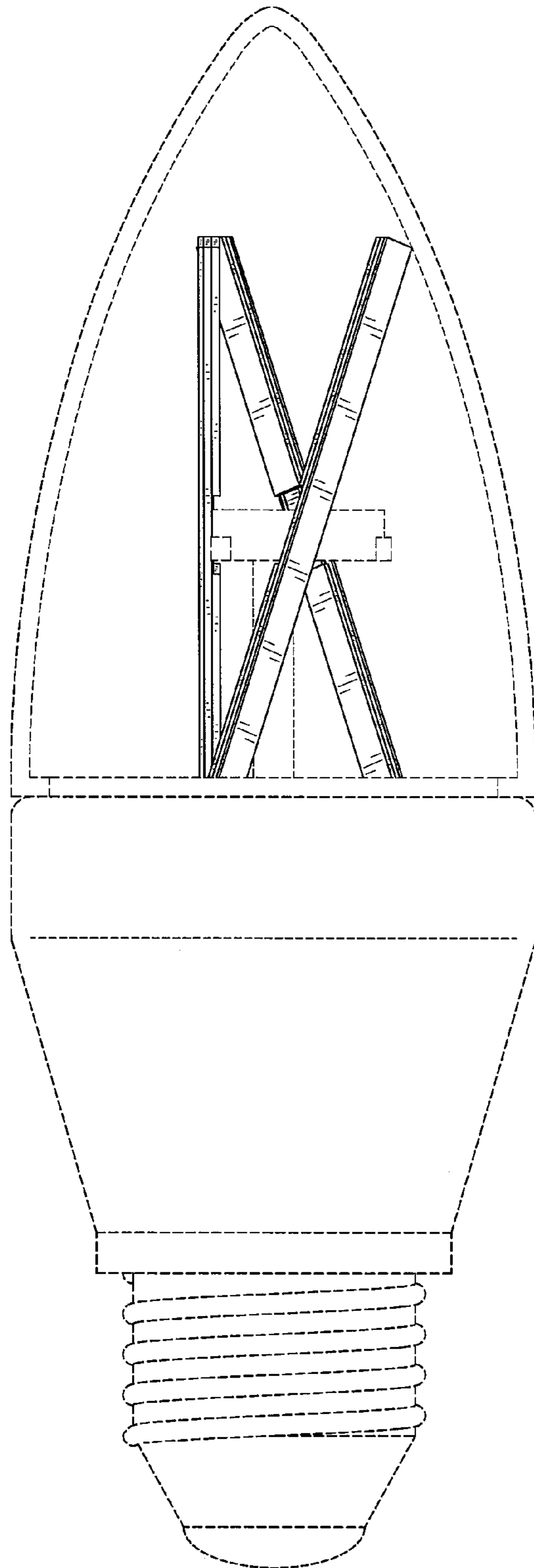


FIG. 5

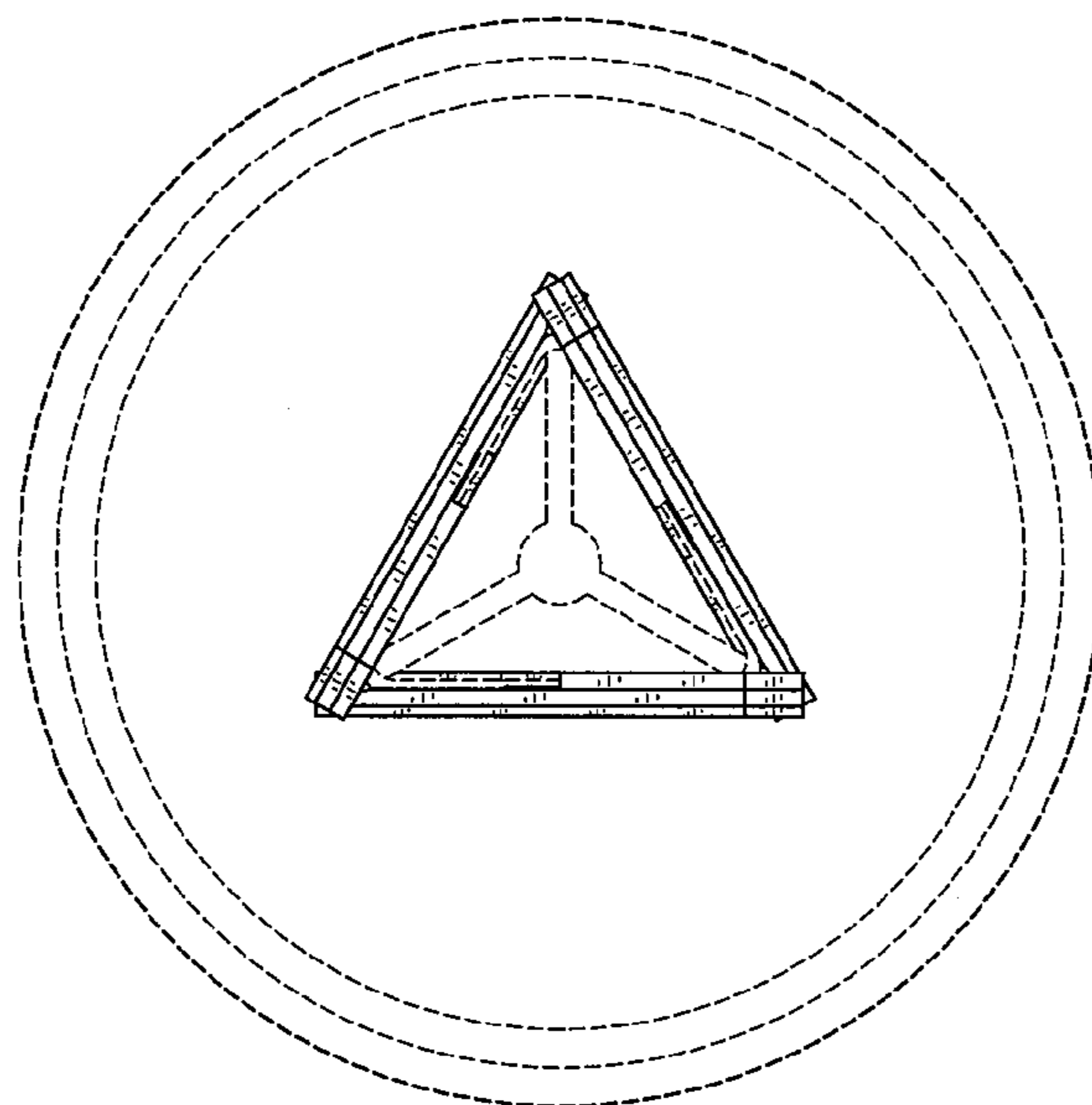


FIG. 6

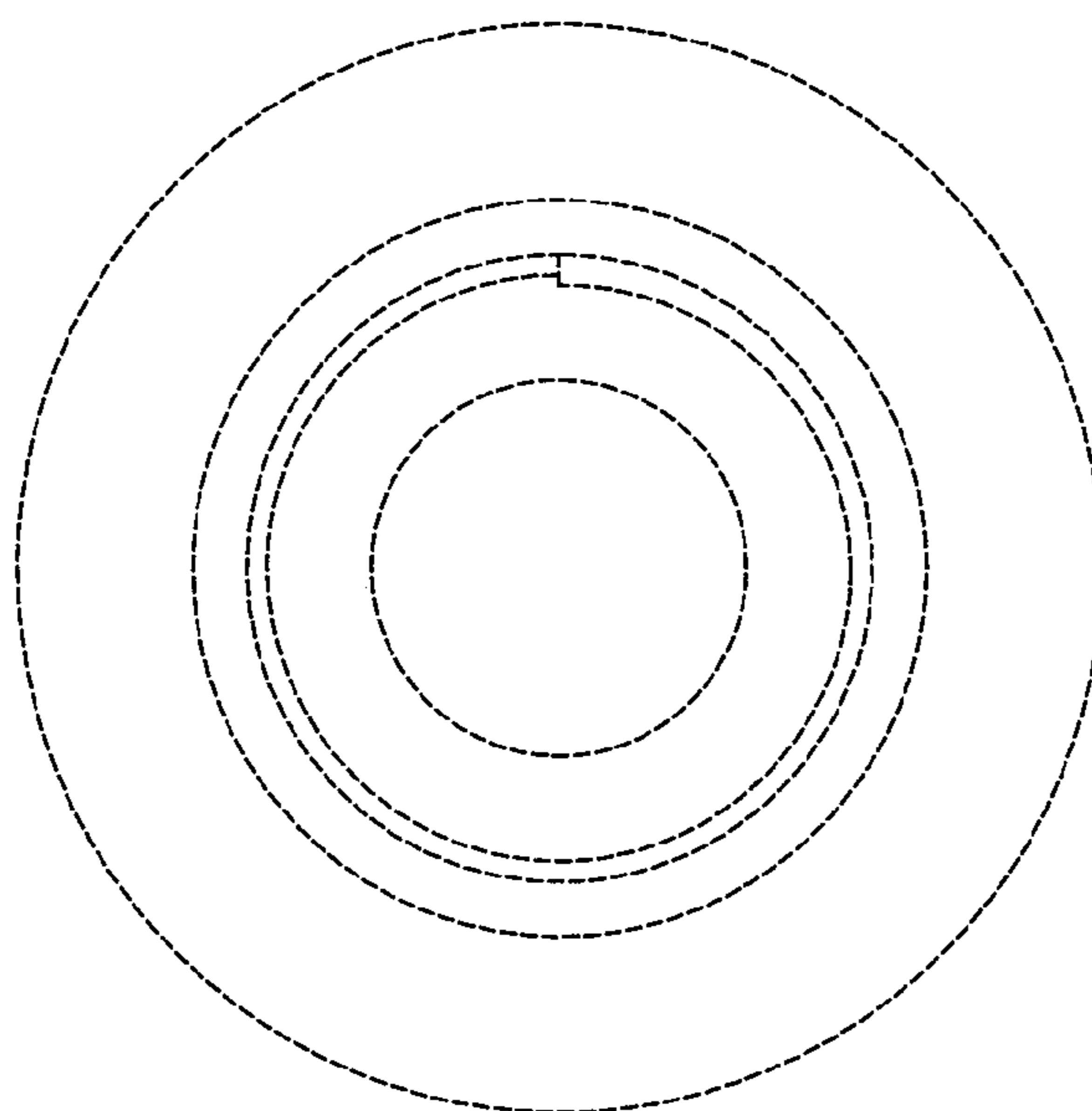


FIG. 7