



US00D759853S

(12) **United States Design Patent**
Marshall

(10) **Patent No.:** **US D759,853 S**
(45) **Date of Patent:** **** Jun. 21, 2016**

- (54) **WINDOW COMPONENT EXTRUSION**
- (71) Applicant: **Chelsea Building Products, Inc.,**
Oakmont, PA (US)
- (72) Inventor: **Philip Marshall,** Pittsburgh, PA (US)
- (73) Assignee: **Chelsea Building Products, Inc.,**
Oakmont, PA (US)
- (**) Term: **14 Years**
- (21) Appl. No.: **29/524,851**
- (22) Filed: **Apr. 23, 2015**
- (51) **LOC (10) Cl.** **25-01**
- (52) **U.S. Cl.**
USPC **D25/124**
- (58) **Field of Classification Search**
USPC D25/119–125; 52/204.1, 204.2, 204.5,
52/204.51, 204.55, 204.61, 204.62,
52/204.69, 204.7, 204.72, 206, 208, 209,
52/212, 213, 215, 579, 656.2, 656.5,
52/656.6, 656.7, 800.13, 717.01, 793.1,
52/794.1; D20/42, 43, 44; D34/35
CPC E06B 1/36; E06B 1/702; E06B 1/366;
E06B 1/524; E06B 1/68; E06B 1/04; E06B
1/28; E06B 1/30; E06B 3/305; E06B 3/22;
E06B 3/222; E06B 3/24; E06B 2003/66385
See application file for complete search history.

(56) **References Cited**

U.S. PATENT DOCUMENTS

D327,746 S	*	7/1992	Valentin	D25/124
D329,708 S	*	9/1992	Valentin	D25/125
D335,712 S	*	5/1993	Cole	D25/124
D364,471 S	*	11/1995	Goss, Jr.	D25/124
D385,046 S	*	10/1997	Lockbeam	D25/124
D402,050 S	*	12/1998	Leonelli	D25/124
D440,325 S	*	4/2001	Habeck	D25/124
D441,103 S	*	4/2001	Habeck	D25/124
D441,104 S	*	4/2001	Habeck	D25/124
D468,030 S	*	12/2002	Chaney	D25/124
D557,825 S	*	12/2007	Willman	D25/124

D576,302 S	*	9/2008	Morton	D25/124
D576,303 S	*	9/2008	Morton	D25/124
D651,726 S	*	1/2012	Wickland	D25/124
D713,555 S		9/2014	Stankay et al.		
D713,556 S		9/2014	Stankay		
D713,557 S		9/2014	Stankay		
D716,968 S		11/2014	Stankay		
D729,947 S		5/2015	Stankay		
D729,948 S		5/2015	Stankay		
D740,445 S	*	10/2015	Chaney	D25/124

* cited by examiner

Primary Examiner — Cynthia Ramirez

Assistant Examiner — Llorellys Martinez-Rivera

(74) *Attorney, Agent, or Firm* — Drinker Biddle & Reath LLP

(57) **CLAIM**

The ornamental design for a window component extrusion, as shown and described.

DESCRIPTION

FIG. 1 is a perspective view of a window component extrusion showing my new design.

FIG. 2 is a right side view of the window component extrusion of FIG. 1.

FIG. 3 is a left side view of the window component extrusion of FIG. 1.

FIG. 4 is a front view of the window component extrusion of FIG. 1.

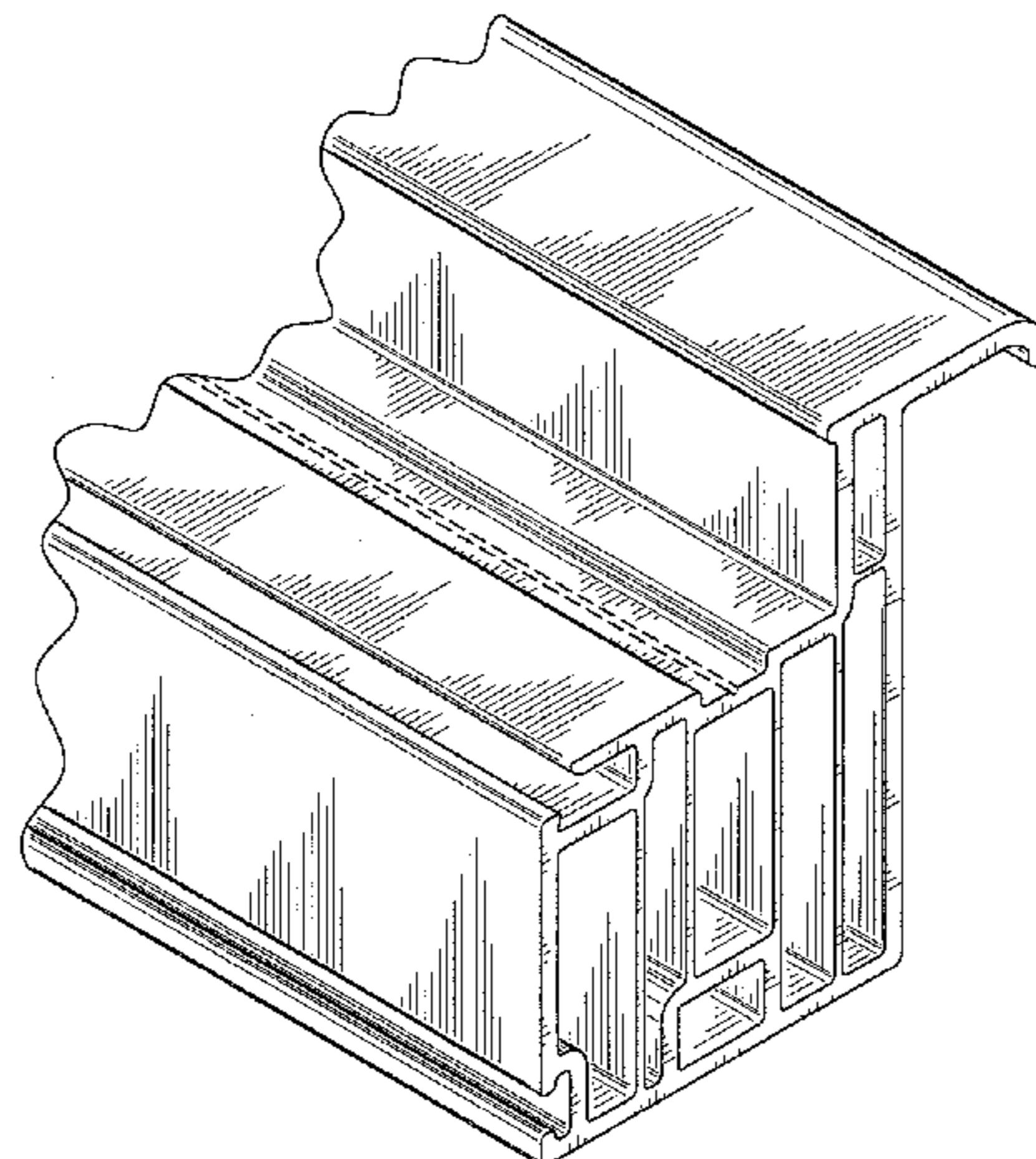
FIG. 5 is a rear view of the window component extrusion of FIG. 1.

FIG. 6 is a top view of the window component extrusion of FIG. 1; and,

FIG. 7 is a bottom view of the window component extrusion of FIG. 1.

The broken lines shown in the drawings illustrate environmental subject matter only and form no part of the claimed design. A symbolic break has been shown in the drawings indicating that any portion of the window component extrusion beyond what is shown forms no part of the claimed design.

1 Claim, 4 Drawing Sheets



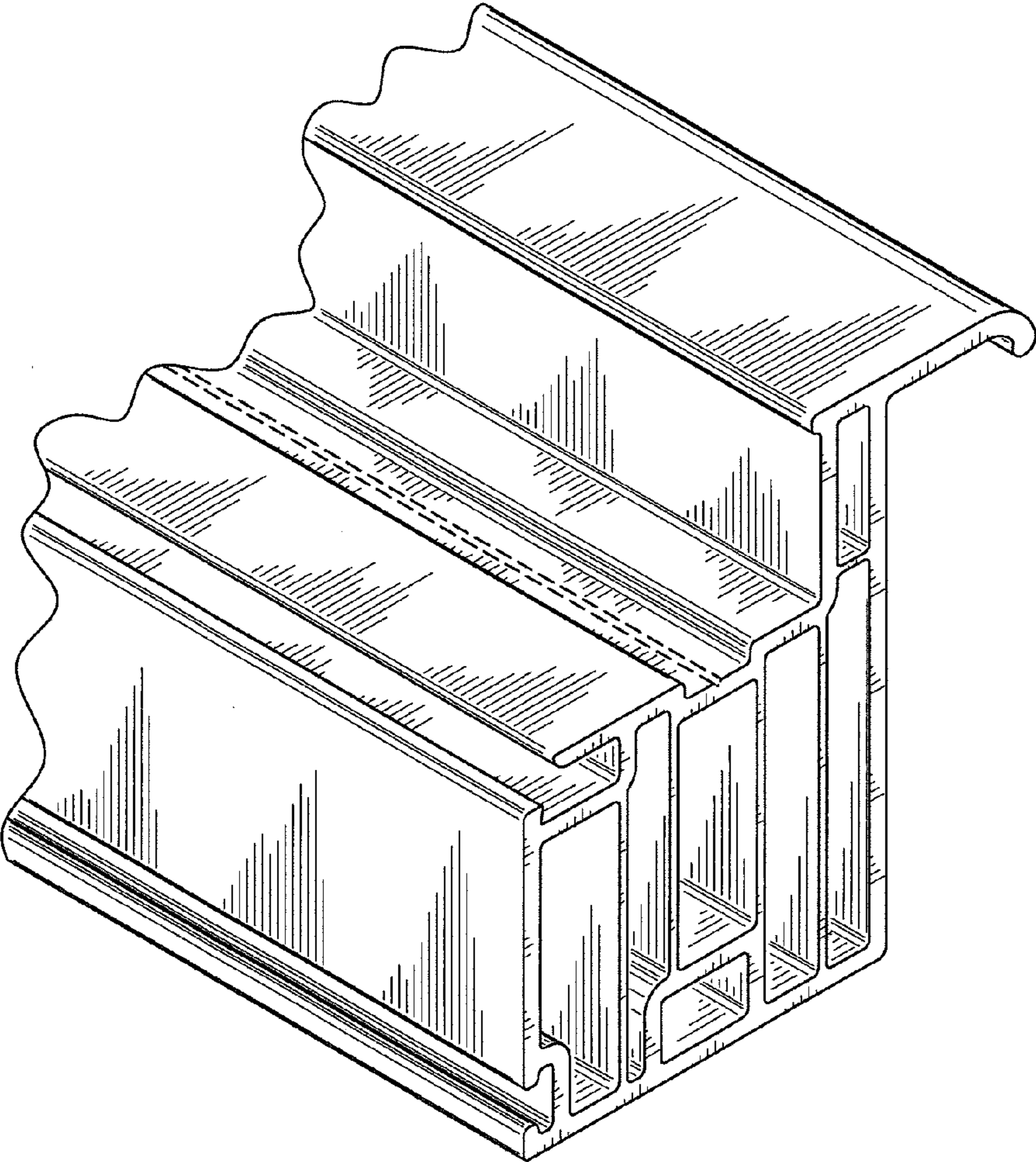


FIG. 1

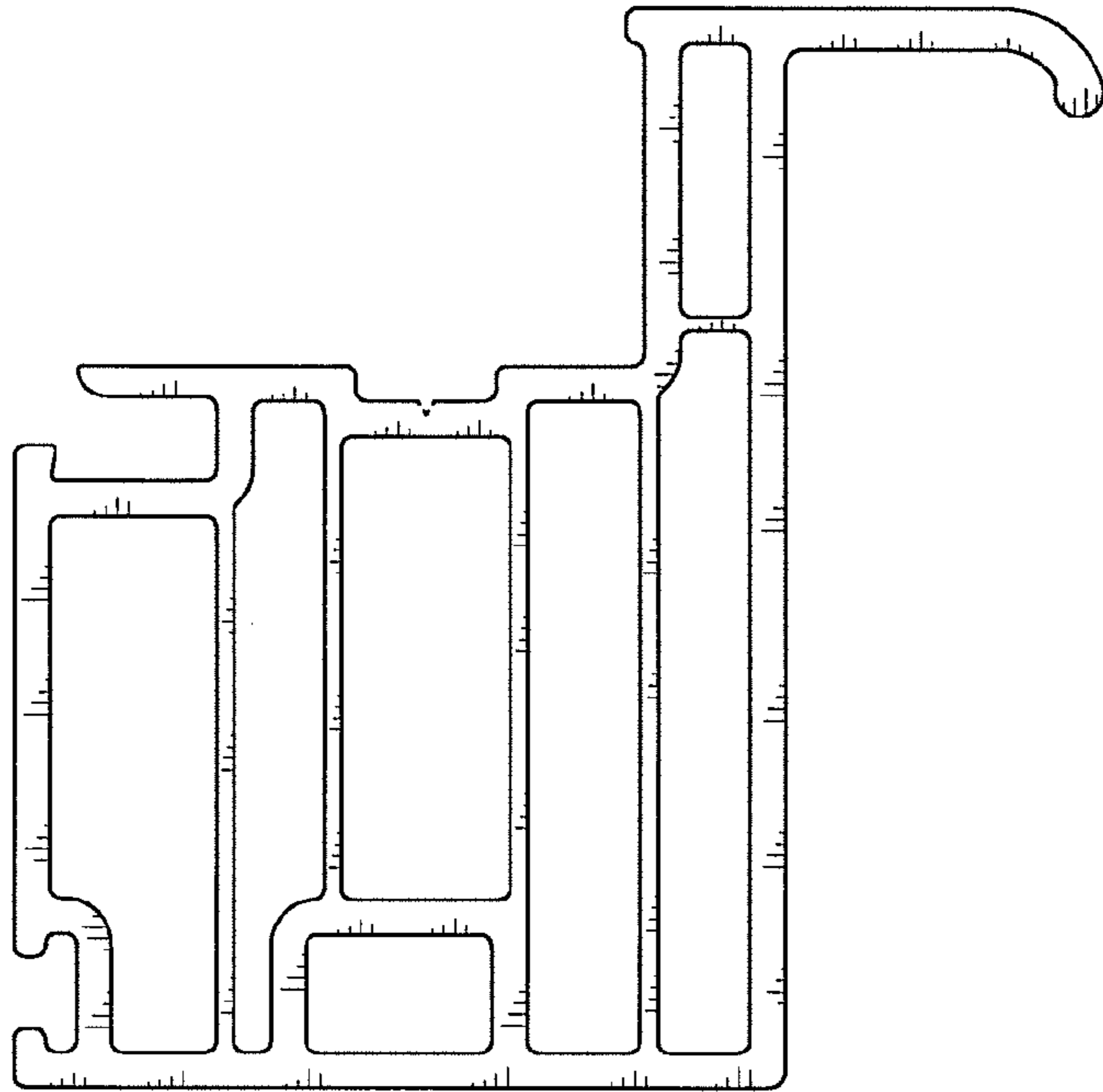


FIG. 2

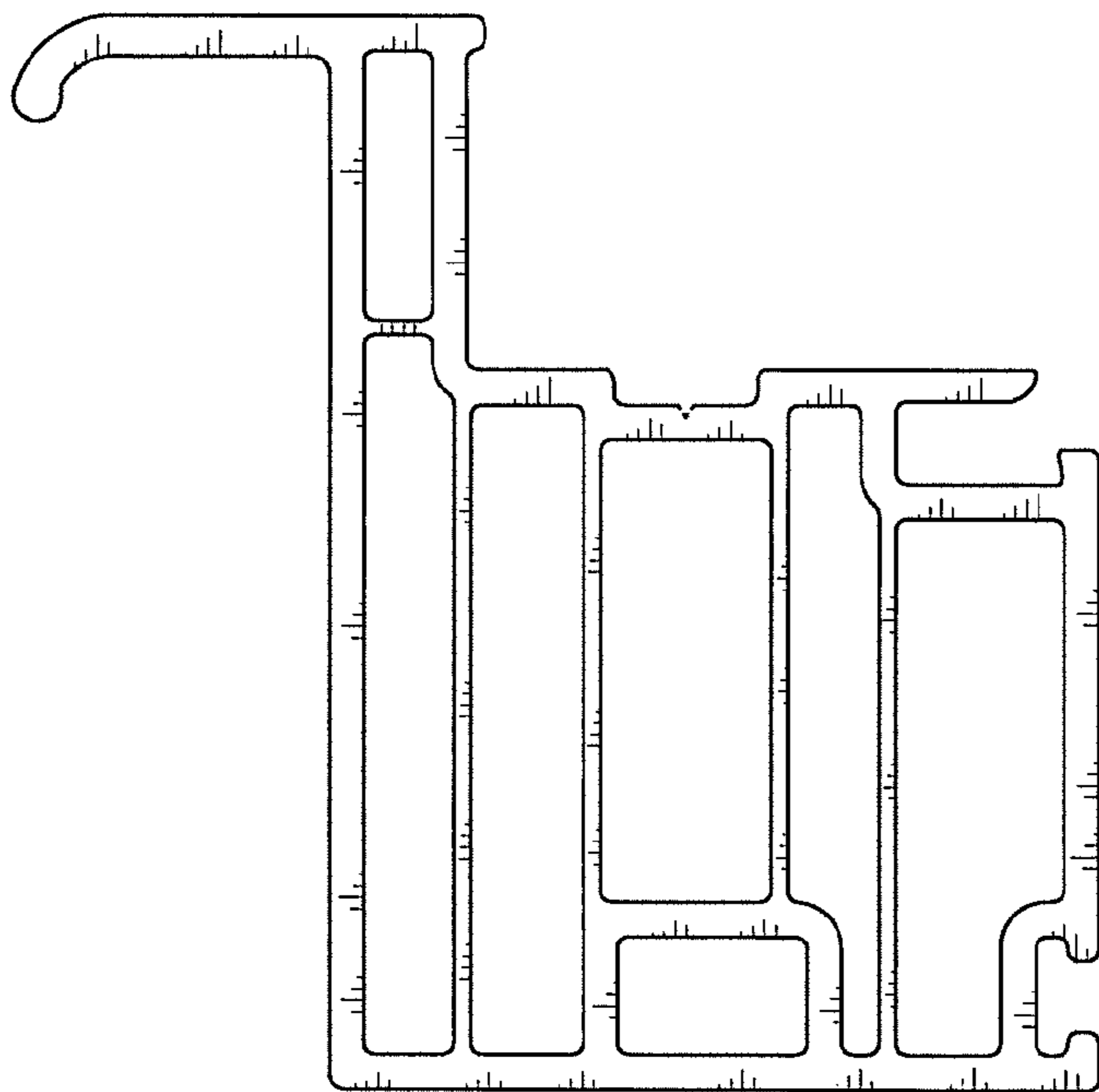


FIG. 3

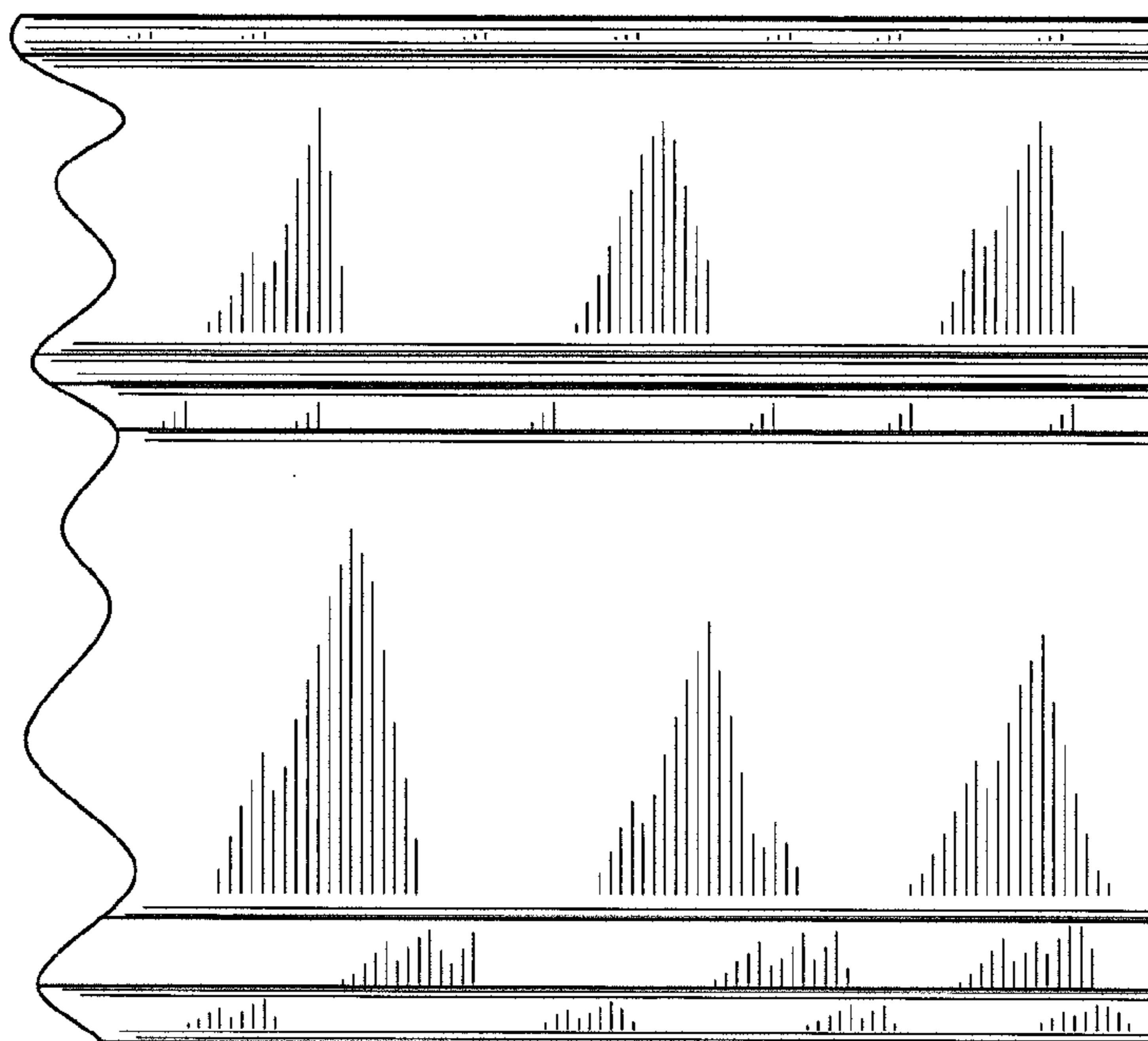


FIG. 4

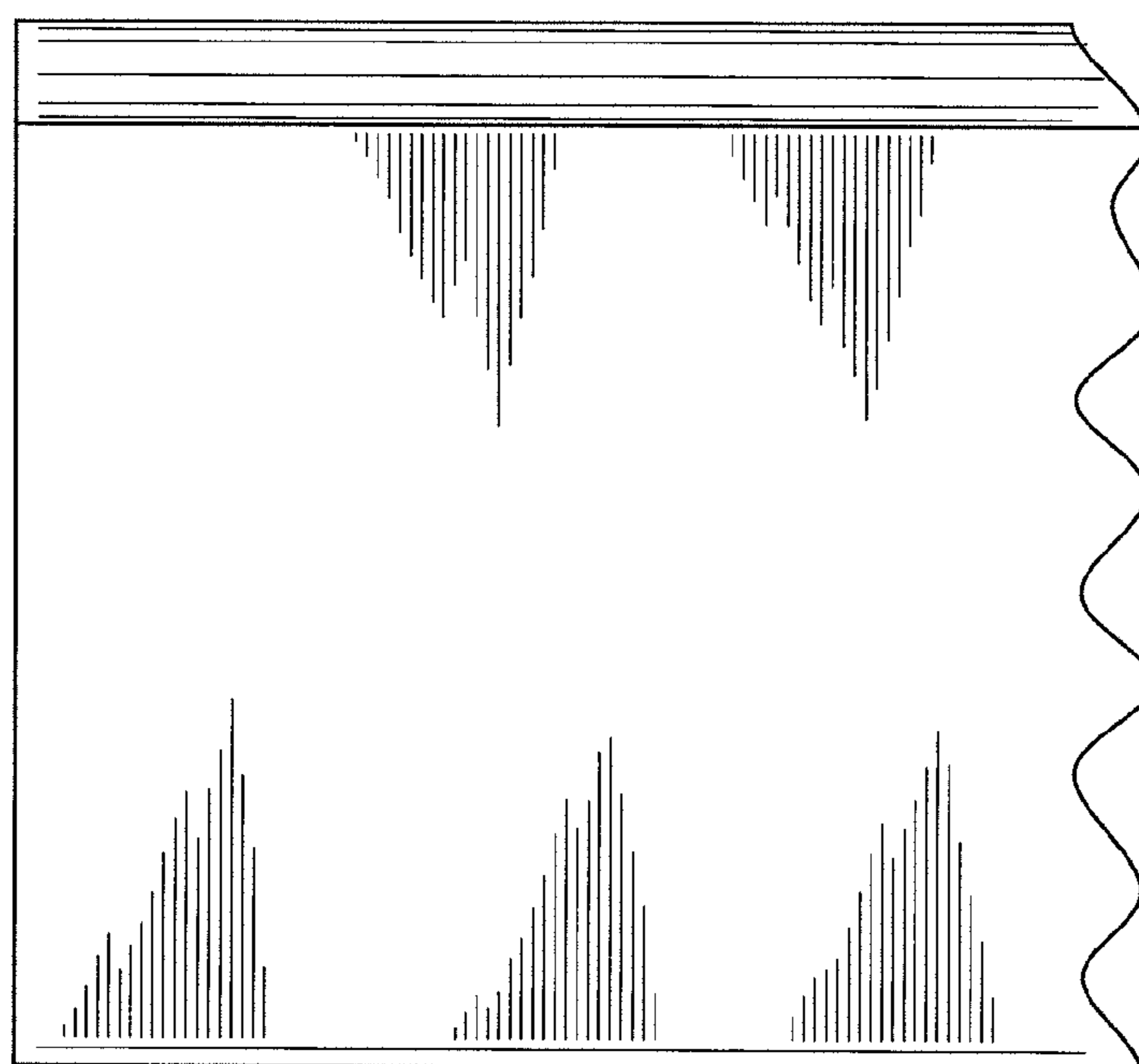


FIG. 5

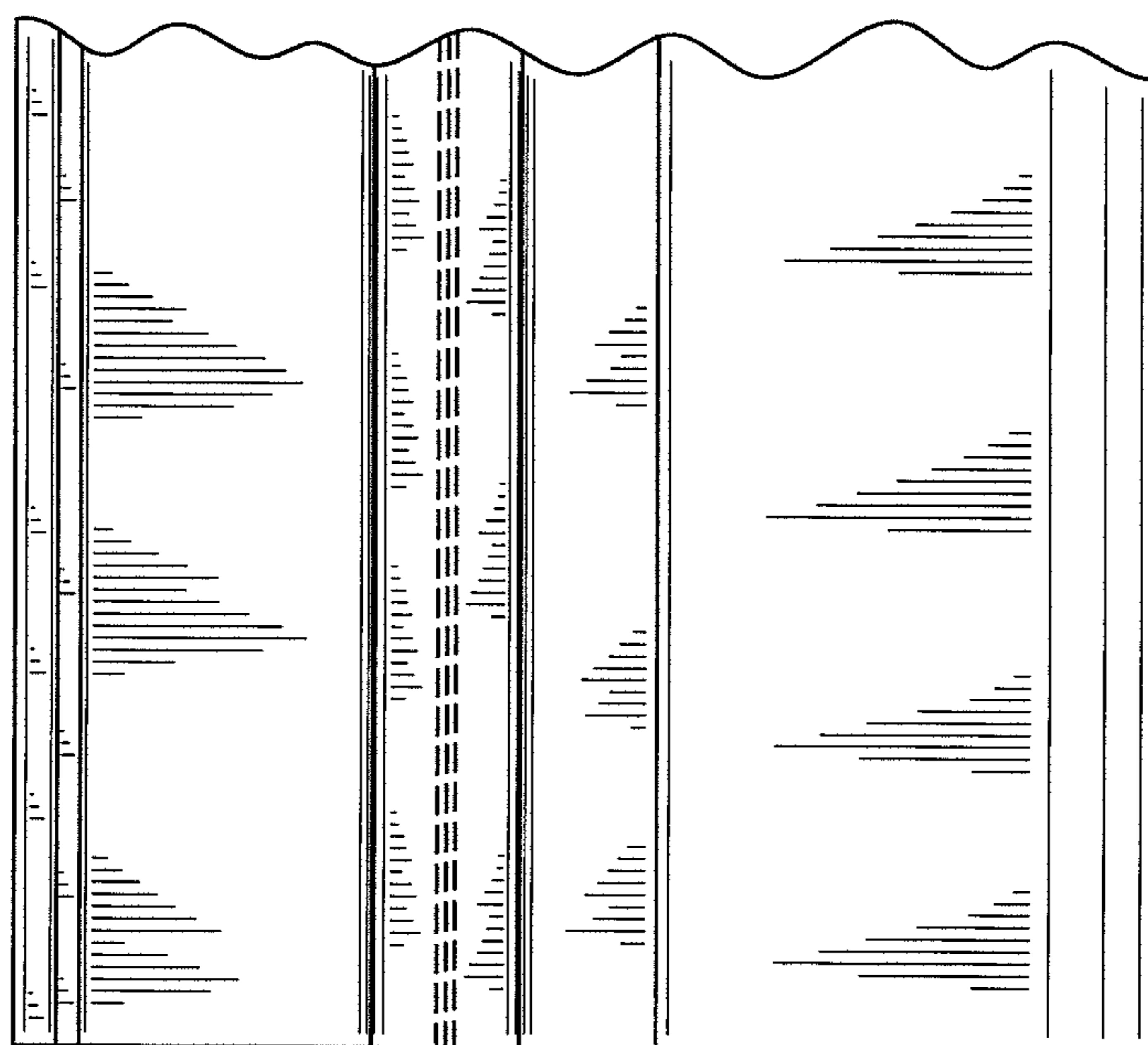


FIG. 6

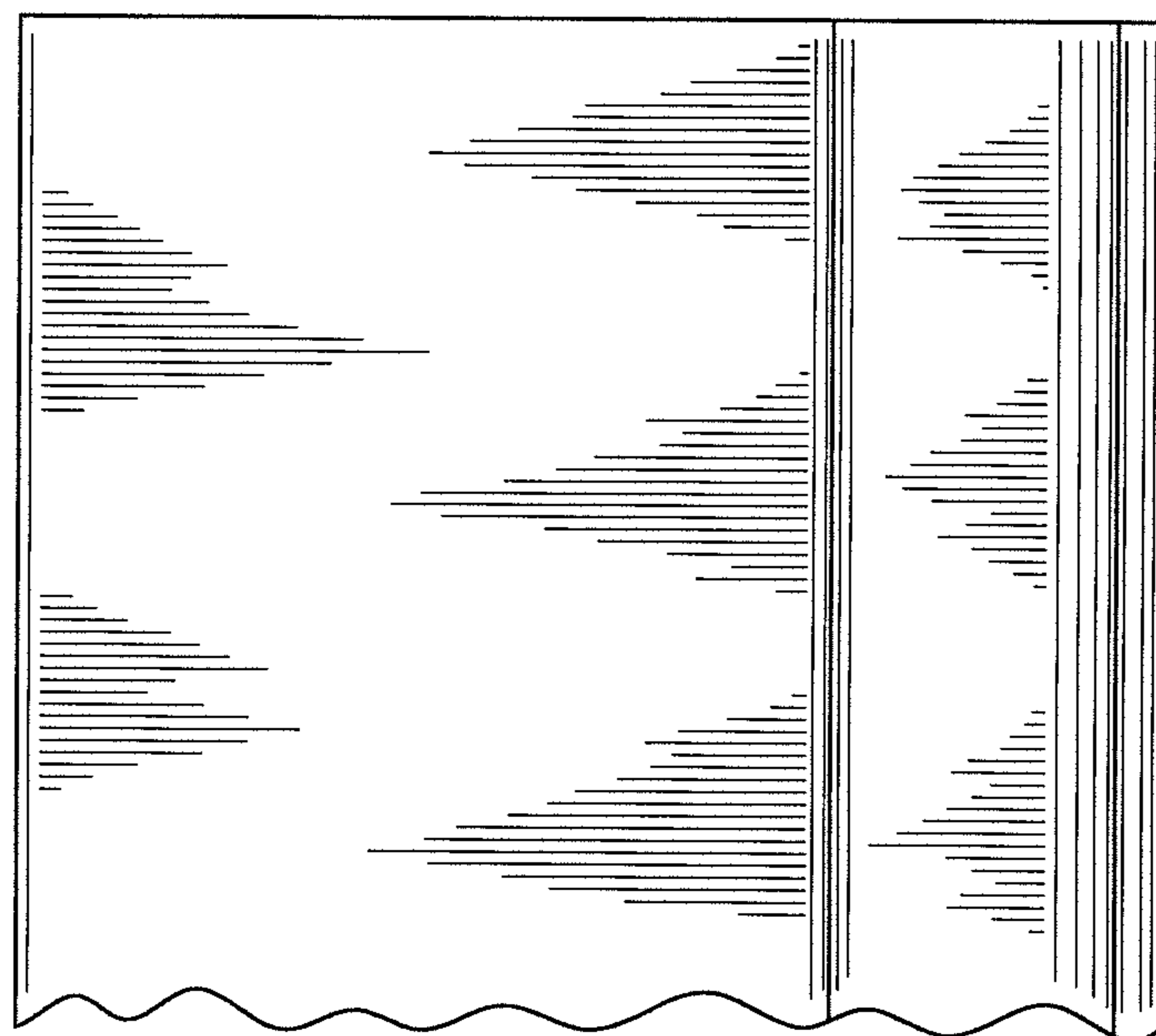


FIG. 7