



US00D759852S

(12) **United States Design Patent**  
**Marshall**

(10) **Patent No.:** **US D759,852 S**  
(45) **Date of Patent:** **\*\* Jun. 21, 2016**

- (54) **WINDOW COMPONENT EXTRUSION**
- (71) Applicant: **Chelsea Building Products, Inc.**,  
Oakmont, PA (US)
- (72) Inventor: **Philip Marshall**, Pittsburgh, PA (US)
- (73) Assignee: **Chelsea Building Products, Inc.**,  
Oakmont, PA (US)
- (\*\*) Term: **14 Years**
- (21) Appl. No.: **29/524,846**
- (22) Filed: **Apr. 23, 2015**
- (51) **LOC (10) Cl.** ..... **25-01**
- (52) **U.S. Cl.**  
USPC ..... **D25/124**
- (58) **Field of Classification Search**  
USPC ..... D25/119–125; 52/204.1, 204.2, 204.5,  
52/204.51, 204.55, 204.61, 204.62,  
52/204.69, 204.7, 204.72, 206, 208, 209,  
52/212, 213, 215, 579, 656.2, 656.5,  
52/656.6, 656.7, 800.13, 717.01, 793.1,  
52/794.1; D20/42, 43, 44; D34/35  
CPC ..... E06B 1/36; E06B 1/702; E06B 1/366;  
E06B 1/524; E06B 1/68; E06B 1/04; E06B  
1/28; E06B 1/30; E06B 3/305; E06B 3/22;  
E06B 3/222; E06B 3/24; E06B 2003/66385  
See application file for complete search history.

- D576,302 S \* 9/2008 Morton ..... D25/124
- D576,303 S \* 9/2008 Morton ..... D25/124
- D651,726 S \* 1/2012 Wickland ..... D25/124
- D713,555 S 9/2014 Stankay et al.
- D713,556 S 9/2014 Stankay
- D713,557 S 9/2014 Stankay
- D716,968 S 11/2014 Stankay
- D729,947 S 5/2015 Stankay
- D729,948 S 5/2015 Stankay
- D740,445 S \* 10/2015 Chaney ..... D25/124

\* cited by examiner

*Primary Examiner* — Cynthia Ramirez  
*Assistant Examiner* — Llorellys Martinez-Rivera  
(74) *Attorney, Agent, or Firm* — Drinker Biddle & Reath  
LLP

(57) **CLAIM**

The ornamental design for a window component extrusion, as shown and described.

**DESCRIPTION**

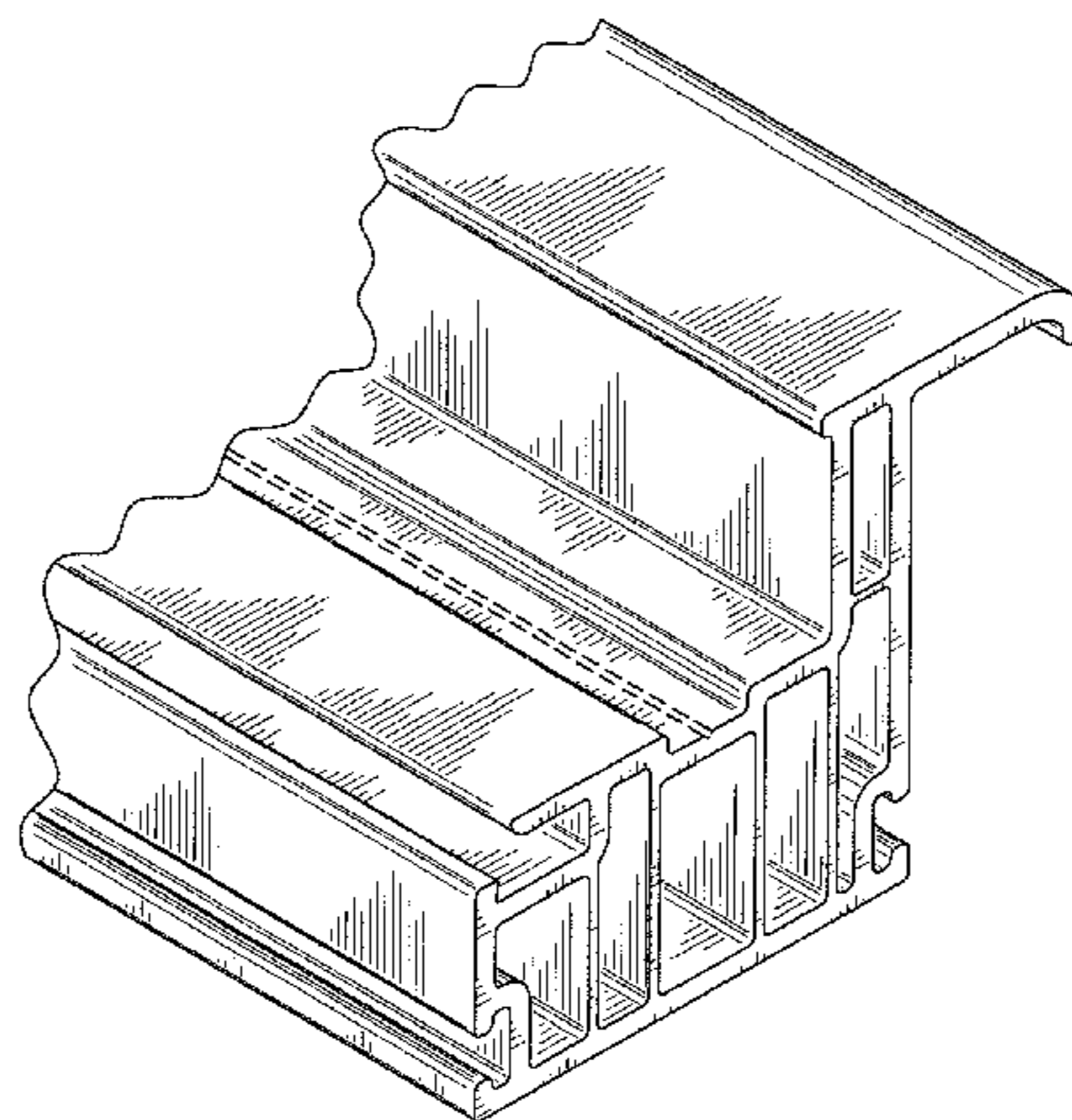
FIG. 1 is a perspective view of a window component extrusion showing my new design.  
FIG. 2 is a right side view of the window component extrusion of FIG. 1.  
FIG. 3 is a left side view of the window component extrusion of FIG. 1.  
FIG. 4 is a front view of the window component extrusion of FIG. 1.  
FIG. 5 is a rear view of the window component extrusion of FIG. 1.  
FIG. 6 is a top view of the window component extrusion of FIG. 1; and,  
FIG. 7 is a bottom view of the window component extrusion of FIG. 1.  
The broken lines shown in the drawings illustrate environmental subject matter only and form no part of the claimed design. A symbolic break has been shown in the drawings indicating that any portion of the window component extrusion beyond what is shown forms no part of the claimed design.

**1 Claim, 4 Drawing Sheets**

(56) **References Cited**

U.S. PATENT DOCUMENTS

- D327,746 S \* 7/1992 Valentin ..... D25/124
- D329,708 S \* 9/1992 Valentin ..... D25/125
- D335,712 S \* 5/1993 Cole ..... D25/124
- D364,471 S \* 11/1995 Goss, Jr. .... D25/124
- D385,046 S \* 10/1997 Lockbeam ..... D25/124
- D402,050 S \* 12/1998 Leonelli ..... D25/124
- D440,325 S \* 4/2001 Habeck ..... D25/124
- D441,103 S \* 4/2001 Habeck ..... D25/124
- D441,104 S \* 4/2001 Habeck ..... D25/124
- D468,030 S \* 12/2002 Chaney ..... D25/124
- D557,825 S \* 12/2007 Willman ..... D25/124



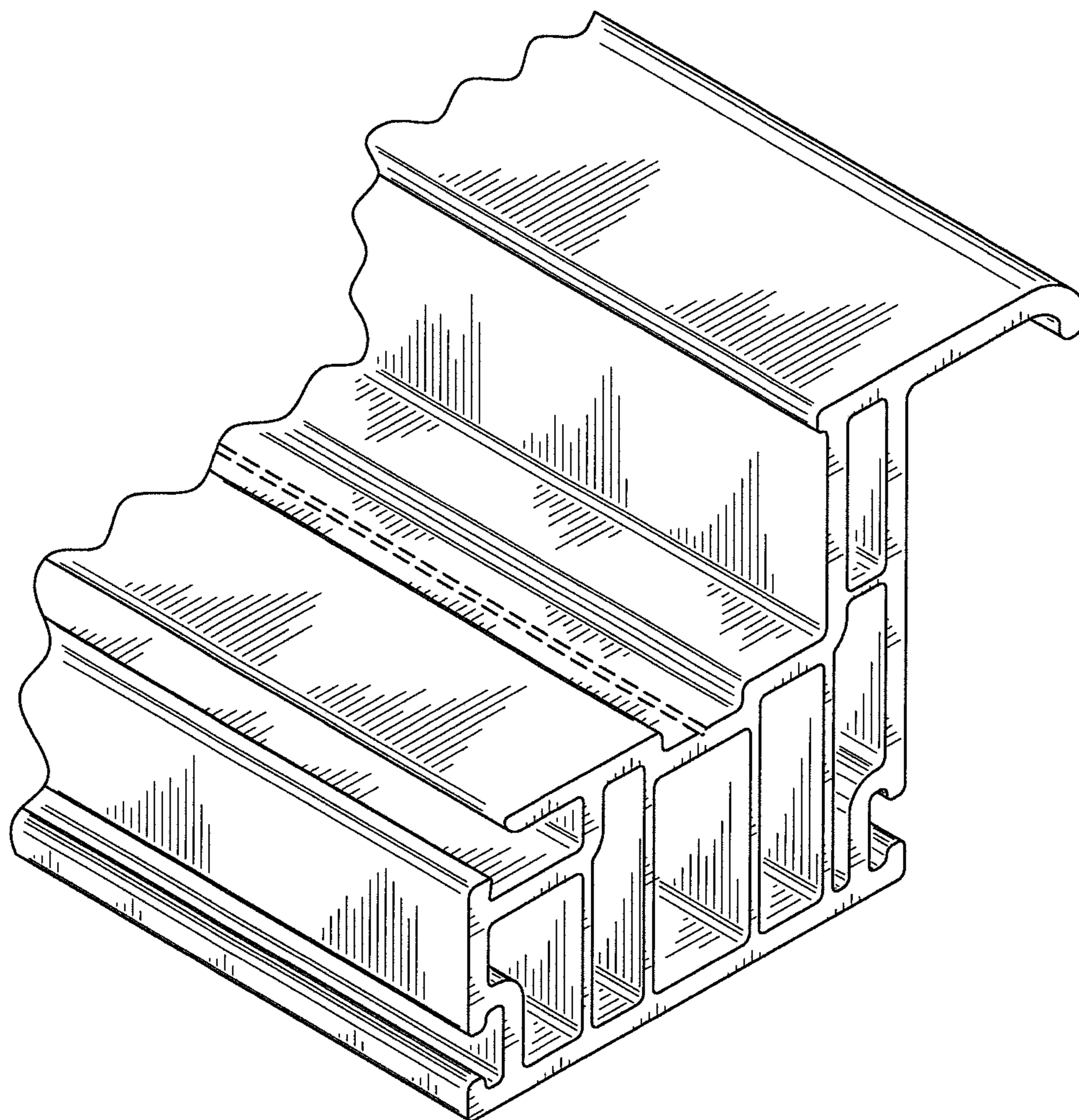


FIG. 1

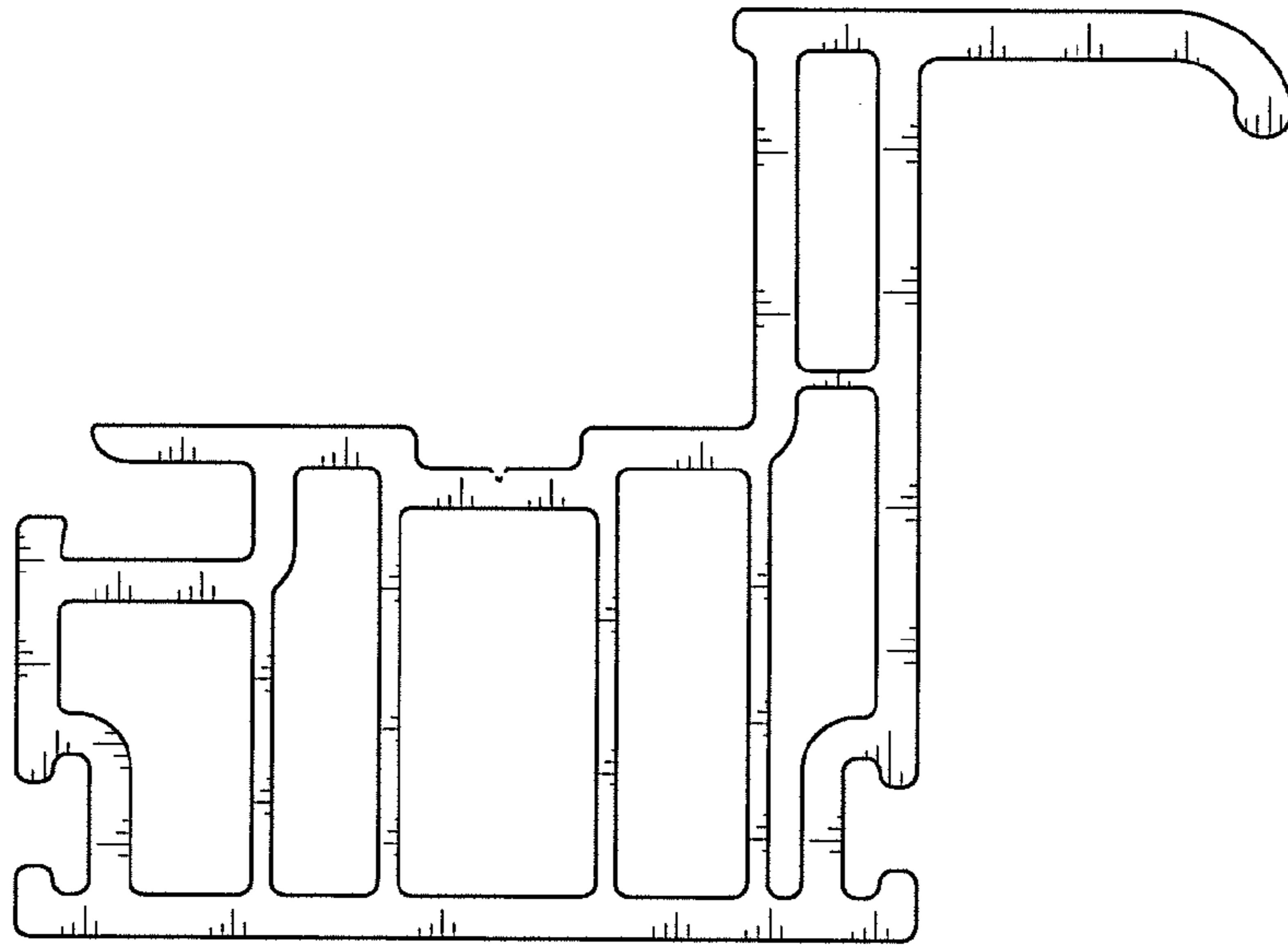


FIG. 2

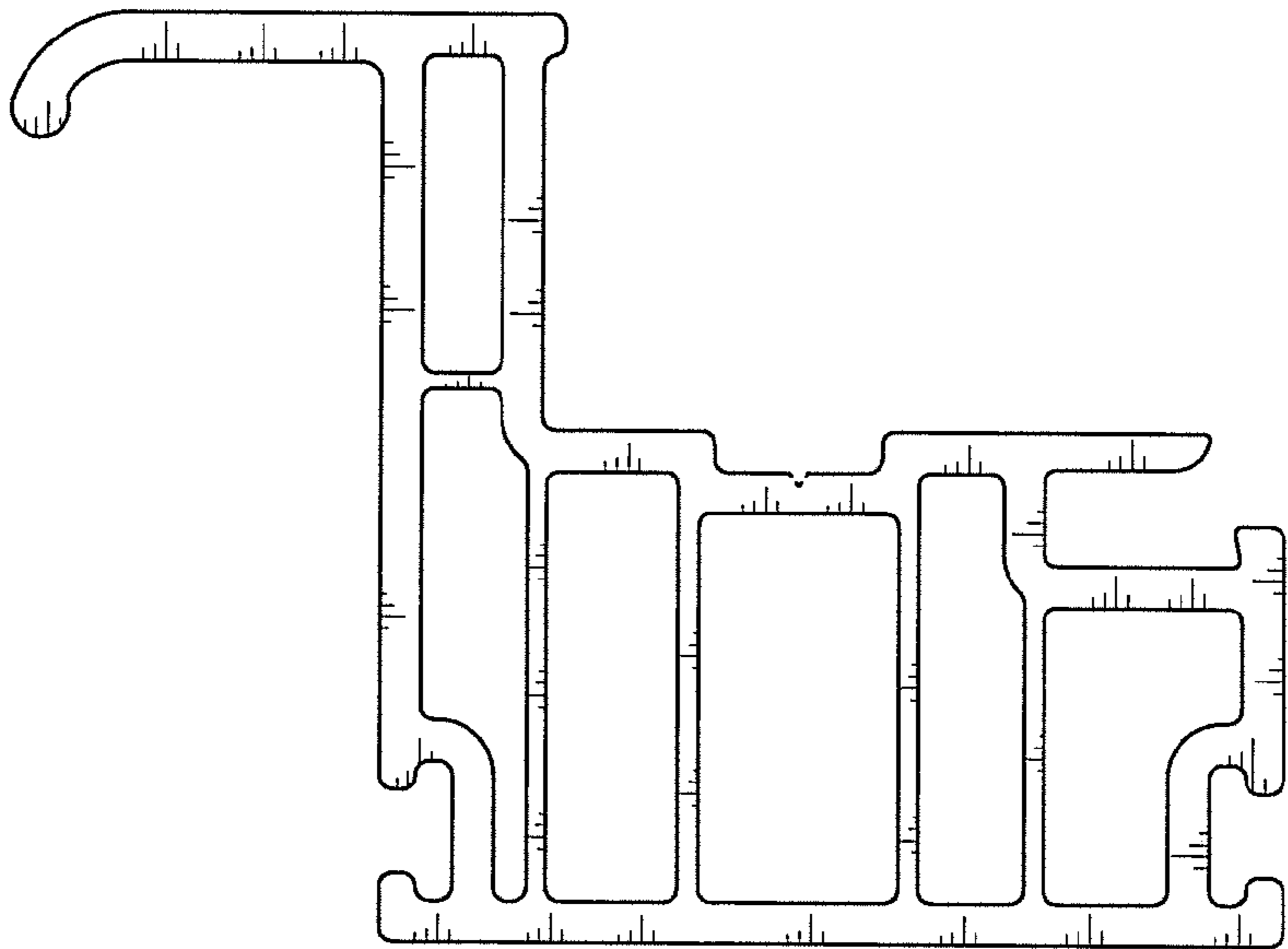


FIG. 3

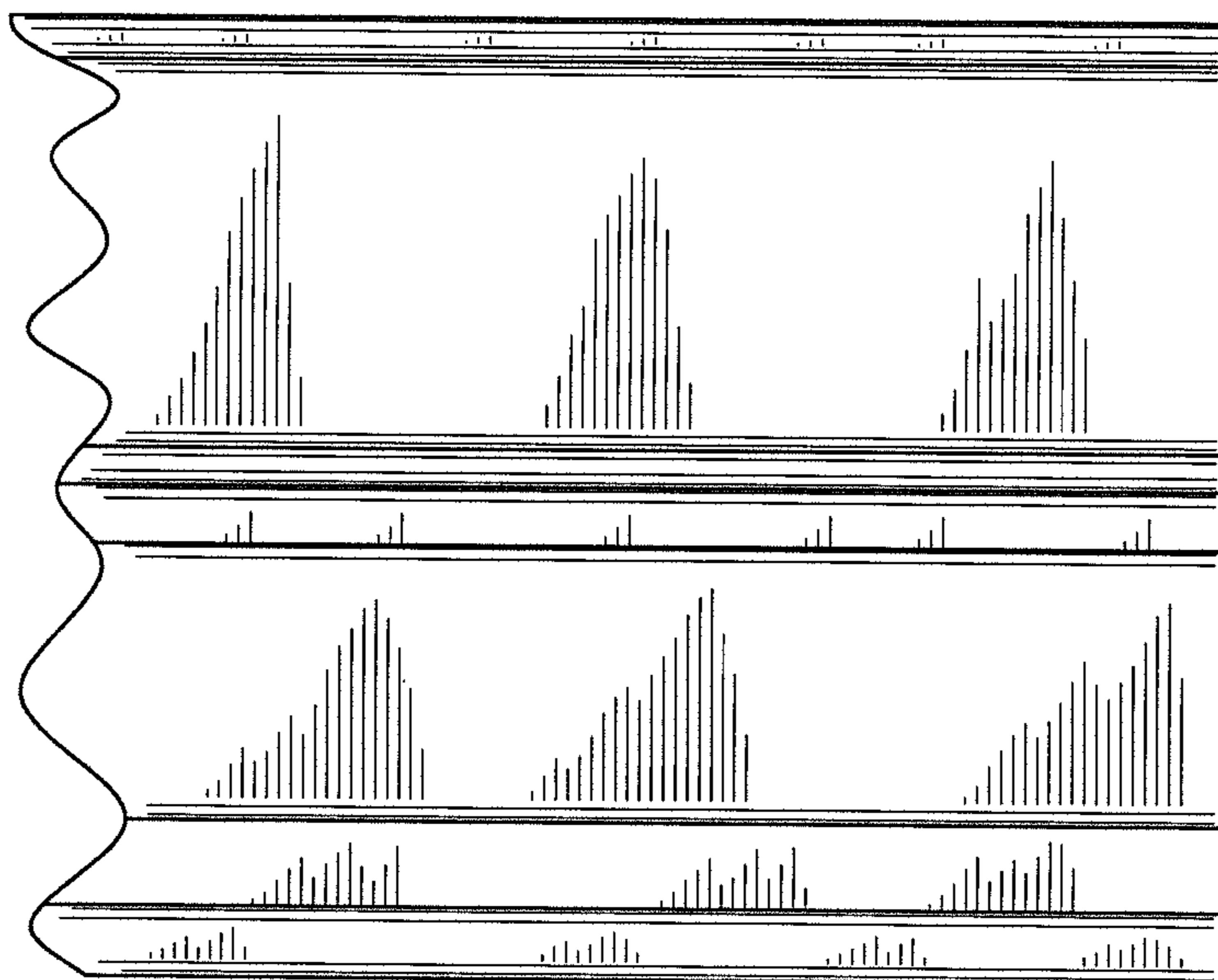


FIG. 4

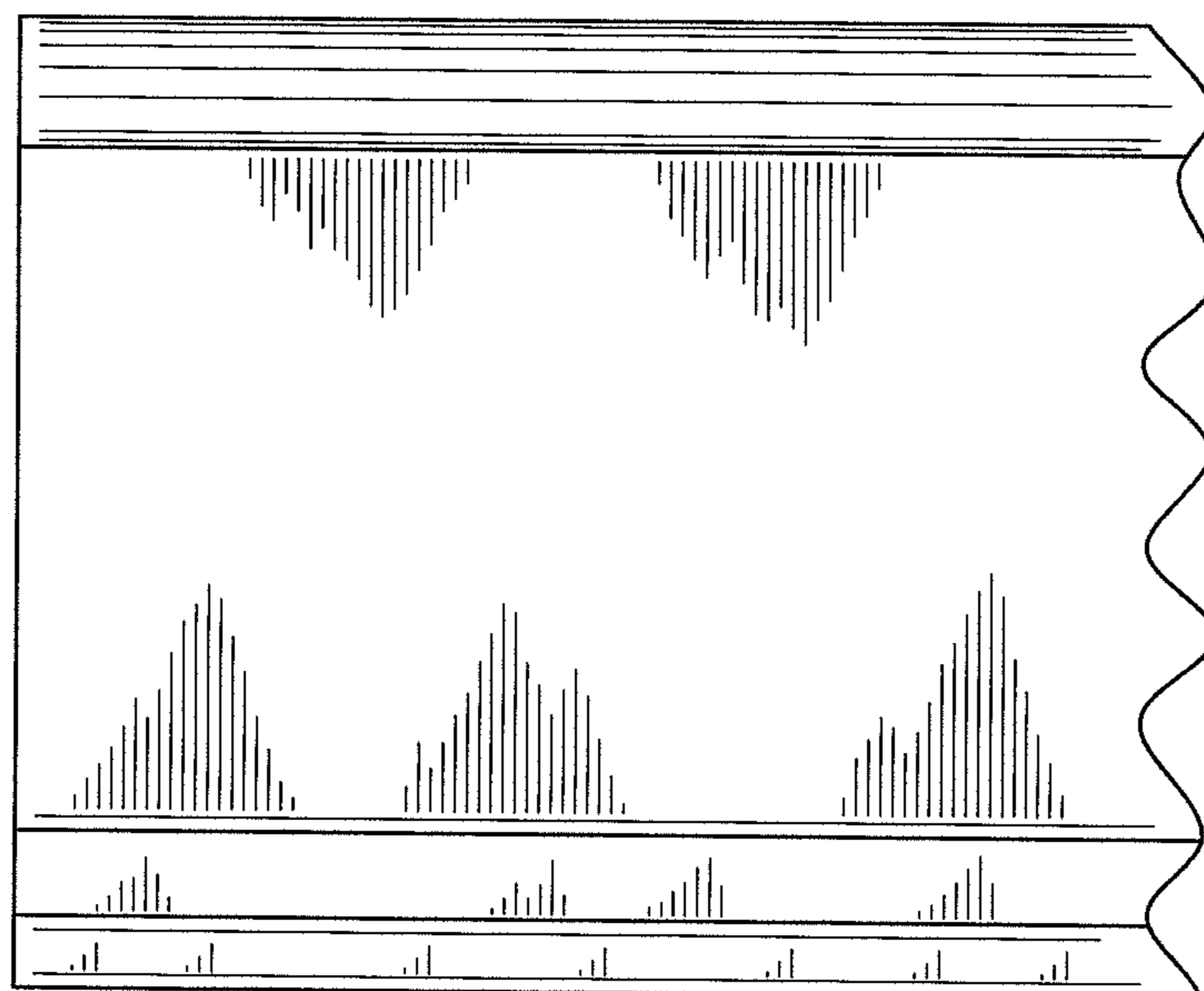


FIG. 5

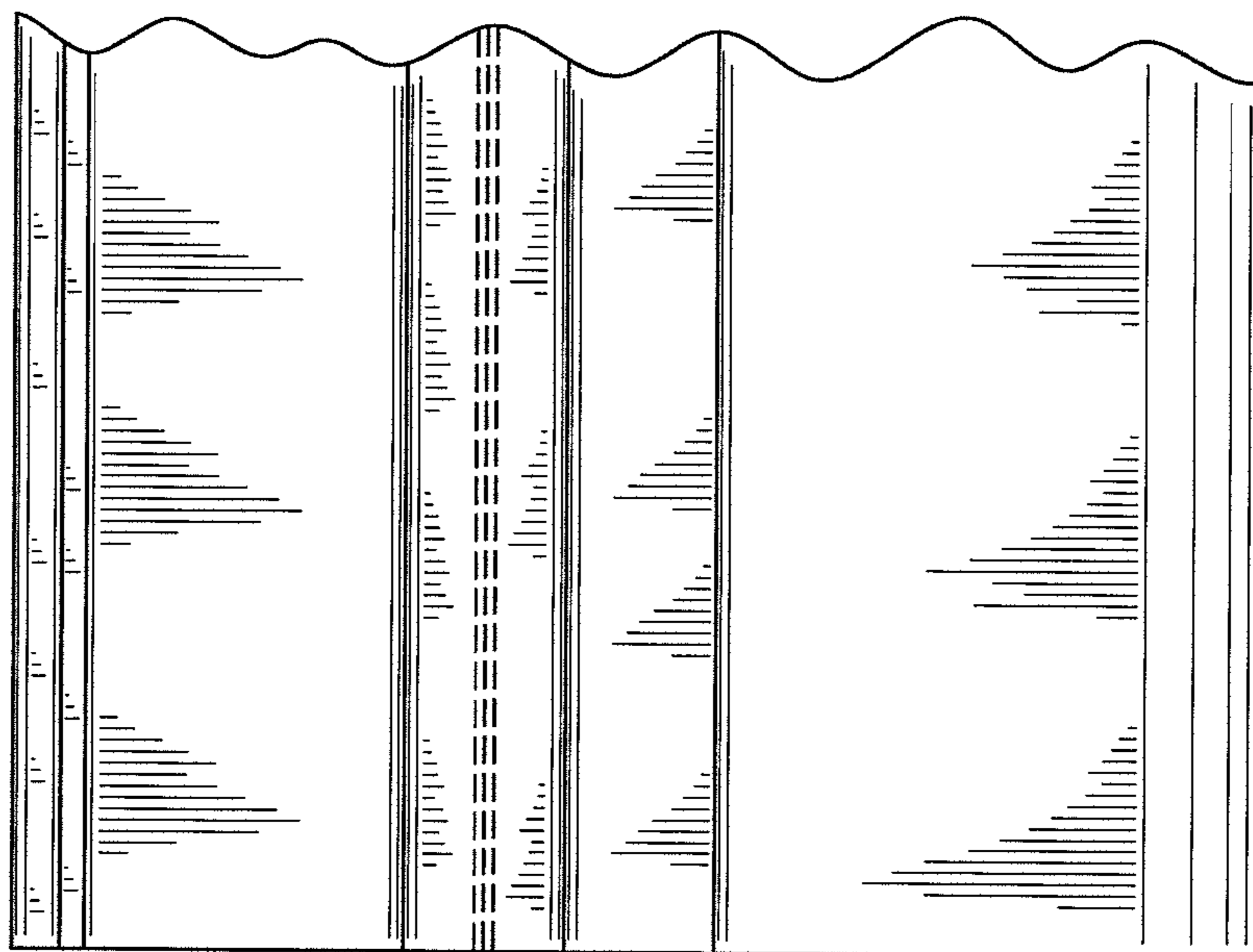


FIG. 6

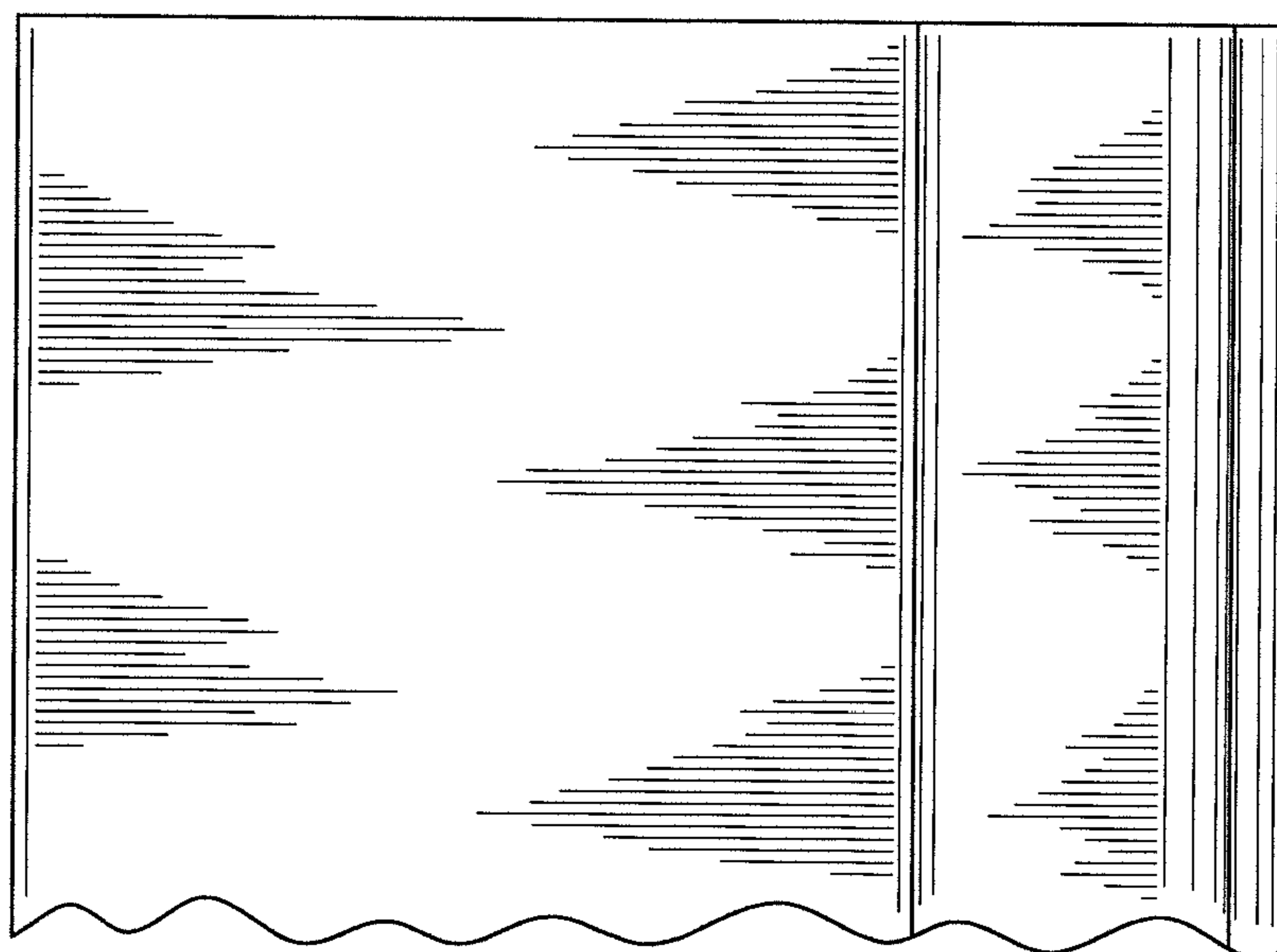


FIG. 7