



US00D759850S

(12) **United States Design Patent**  
**Marshall**

(10) **Patent No.:** **US D759,850 S**

(45) **Date of Patent:** **\*\* Jun. 21, 2016**

(54) **WINDOW COMPONENT EXTRUSION**

D578,665 S \* 10/2008 Franson ..... D25/124  
D593,686 S \* 6/2009 Campbell ..... D25/124  
D597,220 S \* 7/2009 Campbell ..... D25/124

(71) Applicant: **Chelsea Building Products, Inc.**,  
Oakmont, PA (US)

(Continued)

(72) Inventor: **Philip Marshall**, Pittsburgh, PA (US)

**OTHER PUBLICATIONS**

(73) Assignee: **Chelsea Building Products, Inc.**,  
Oakmont, PA (US)

[Online] PVC 60mm Casement, Huarui Plastic, published on Dec. 6, 2013. Acquired on Mar. 14, 2016. Web URL:<“http://www.lhpcv.com/60mm\_casement.htm”>.\*

(Continued)

(\*\*) Term: **14 Years**

(21) Appl. No.: **29/524,843**

*Primary Examiner* — Cynthia Ramirez

*Assistant Examiner* — Llorellys Martinez-Rivera

(22) Filed: **Apr. 23, 2015**

(74) *Attorney, Agent, or Firm* — Drinker Biddle & Reath LLP

(51) **LOC (10) Cl.** ..... **25-01**

(57) **CLAIM**

(52) **U.S. Cl.**  
USPC ..... **D25/124**

The ornamental design for a window component extrusion, as shown and described.

(58) **Field of Classification Search**  
USPC ..... D25/119–125; 52/204.1, 204.2, 204.5,  
52/204.51, 656.5, 656.6, 213, 215, 208,  
52/656.2, 656.7, 800.13, 717.01; D20/42,  
D20/43, 44; D34/35  
CPC ..... E06B 1/36; E06B 1/702; E06B 1/366;  
E06B 1/524; E06B 1/68; E06B 1/04; E06B  
1/28; E06B 1/30; E06B 3/305; E06B 3/22;  
E06B 3/222; E06B 3/24; E06B 2003/66385  
See application file for complete search history.

**DESCRIPTION**

(56) **References Cited**

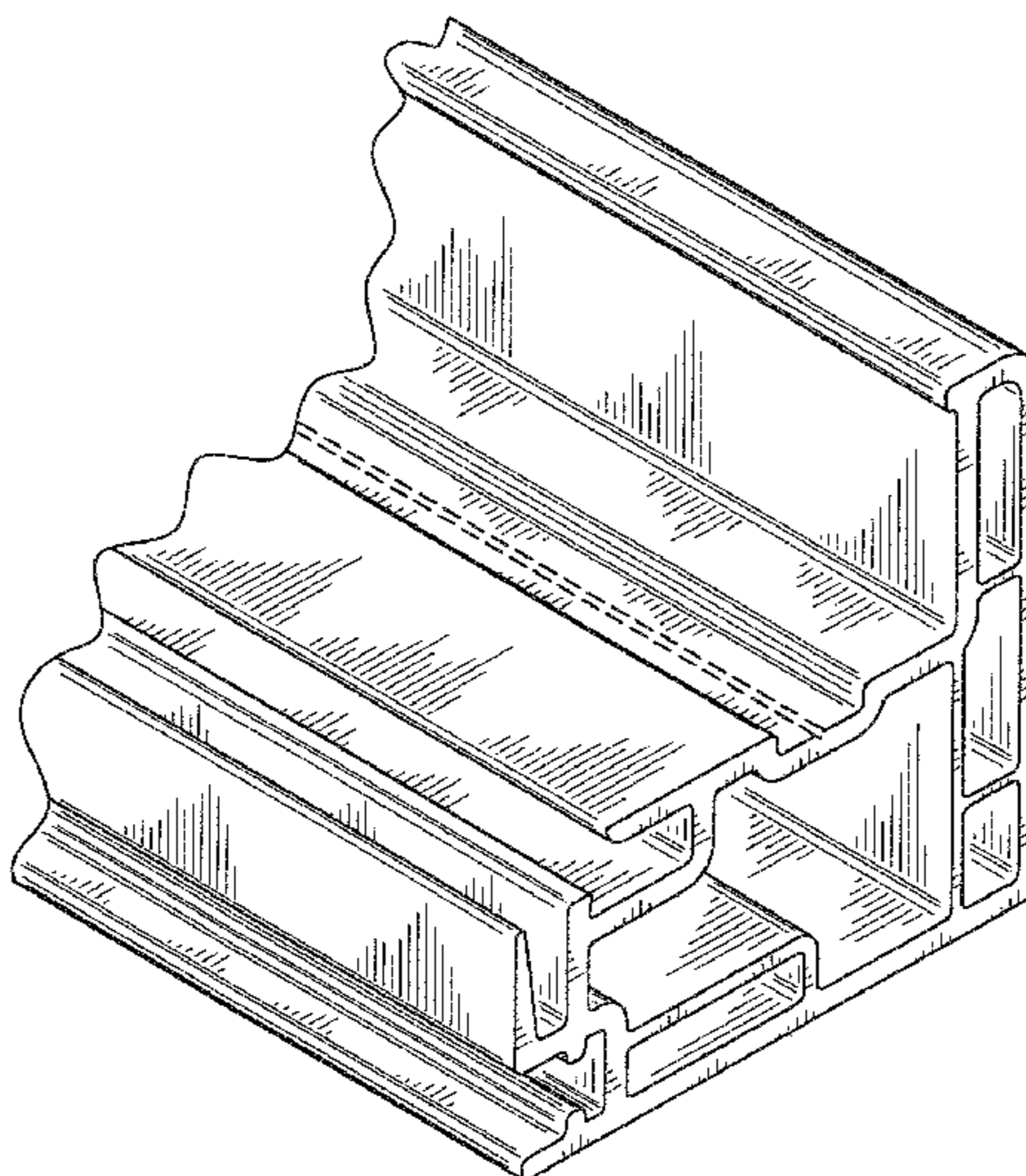
**U.S. PATENT DOCUMENTS**

D364,470 S \* 11/1995 Goss, Jr. .... D25/124  
D376,210 S \* 12/1996 DiGiorgio ..... D25/124  
D453,845 S \* 2/2002 Scalzott ..... D25/124  
D461,257 S \* 8/2002 Ballard ..... D25/124  
D461,915 S \* 8/2002 Ballard ..... D25/124  
D558,362 S \* 12/2007 Fannan ..... D25/124  
D566,858 S \* 4/2008 Fannan ..... D25/124  
D576,299 S \* 9/2008 Morton ..... D25/124  
D576,301 S \* 9/2008 Morton ..... D25/124  
D576,747 S \* 9/2008 Morton ..... D25/124

FIG. 1 is a perspective view of a window component extrusion showing my new design.  
FIG. 2 is a right side view of the window component extrusion of FIG. 1.  
FIG. 3 is a left side view of the window component extrusion of FIG. 1.  
FIG. 4 is a front view of the window component extrusion of FIG. 1.  
FIG. 5 is a rear view of the window component extrusion of FIG. 1.  
FIG. 6 is a top view of the window component extrusion of FIG. 1; and,  
FIG. 7 is a bottom view of the window component extrusion of FIG. 1.

The broken lines shown in the drawings illustrate environmental subject matter only and form no part of the claimed design. A symbolic break has been shown in the drawings indicating that any portion of the window component extrusion beyond what is shown forms no part of the claimed design.

**1 Claim, 4 Drawing Sheets**



(56)

**References Cited**

U.S. PATENT DOCUMENTS

D602,609 S \* 10/2009 Lockbeam ..... D25/124  
D626,663 S \* 11/2010 Stephens ..... D25/124  
D627,489 S \* 11/2010 Stephens ..... D25/124  
D713,555 S 9/2014 Stankay et al.  
D713,556 S 9/2014 Stankay  
D713,557 S 9/2014 Stankay  
D713,559 S \* 9/2014 Jenkins ..... D25/124  
D716,968 S 11/2014 Stankay  
D729,947 S 5/2015 Stankay

D729,948 S 5/2015 Stankay  
D731,677 S \* 6/2015 Bernier ..... D25/125  
D736,957 S \* 8/2015 Chaney ..... D25/124  
D739,045 S \* 9/2015 Campbell ..... D25/124  
D740,446 S \* 10/2015 Chaney ..... D25/124

OTHER PUBLICATIONS

[Online] Bow / Bay Windows pdf catalogue—p. 14, earliest date available: Apr. 24, 2015. Web URL:<“[http://windowdepotusa.com/files/2015/05/WindowDepot\\_East2015.pdf](http://windowdepotusa.com/files/2015/05/WindowDepot_East2015.pdf)”>.\*

\* cited by examiner

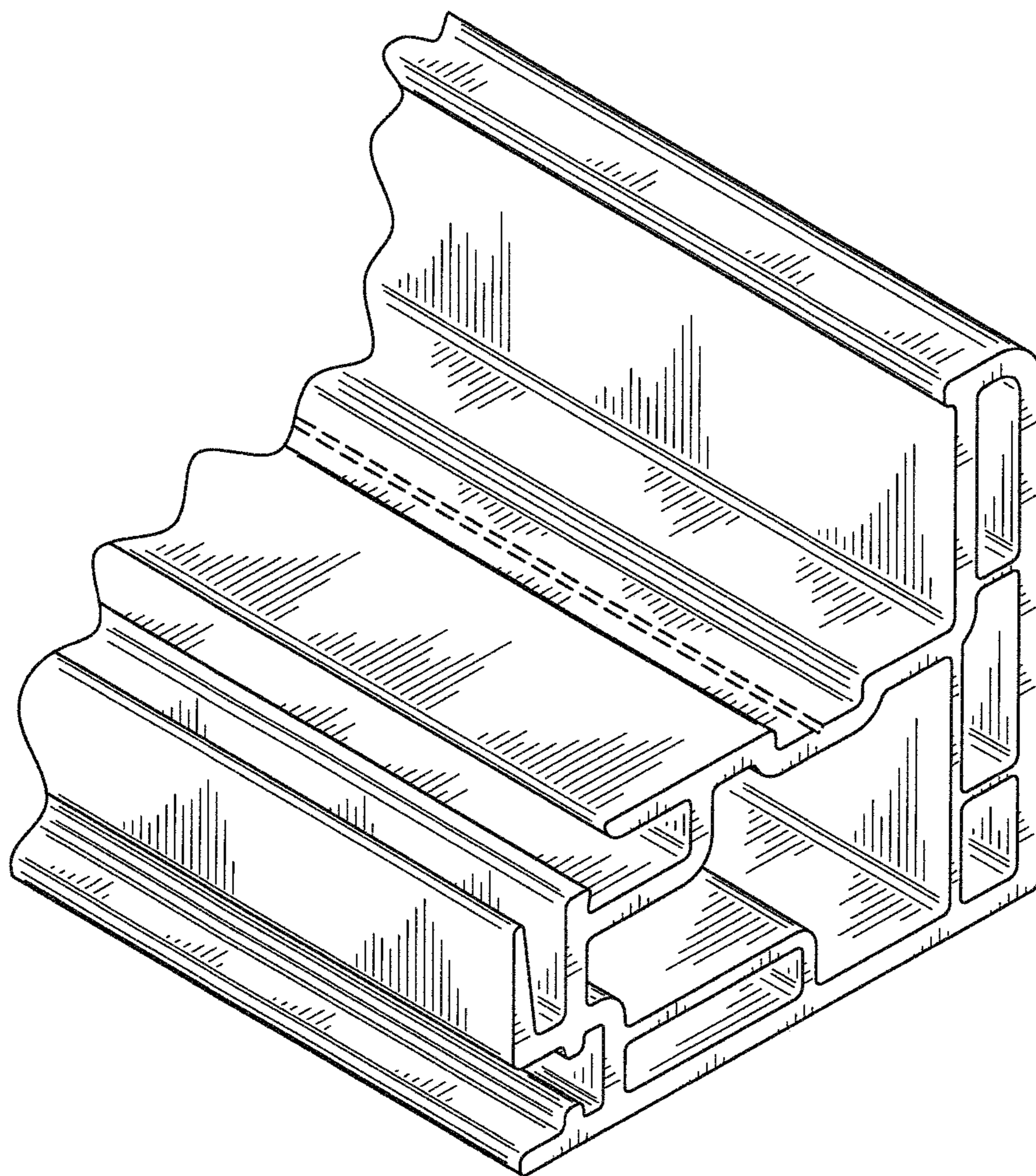


FIG. 1



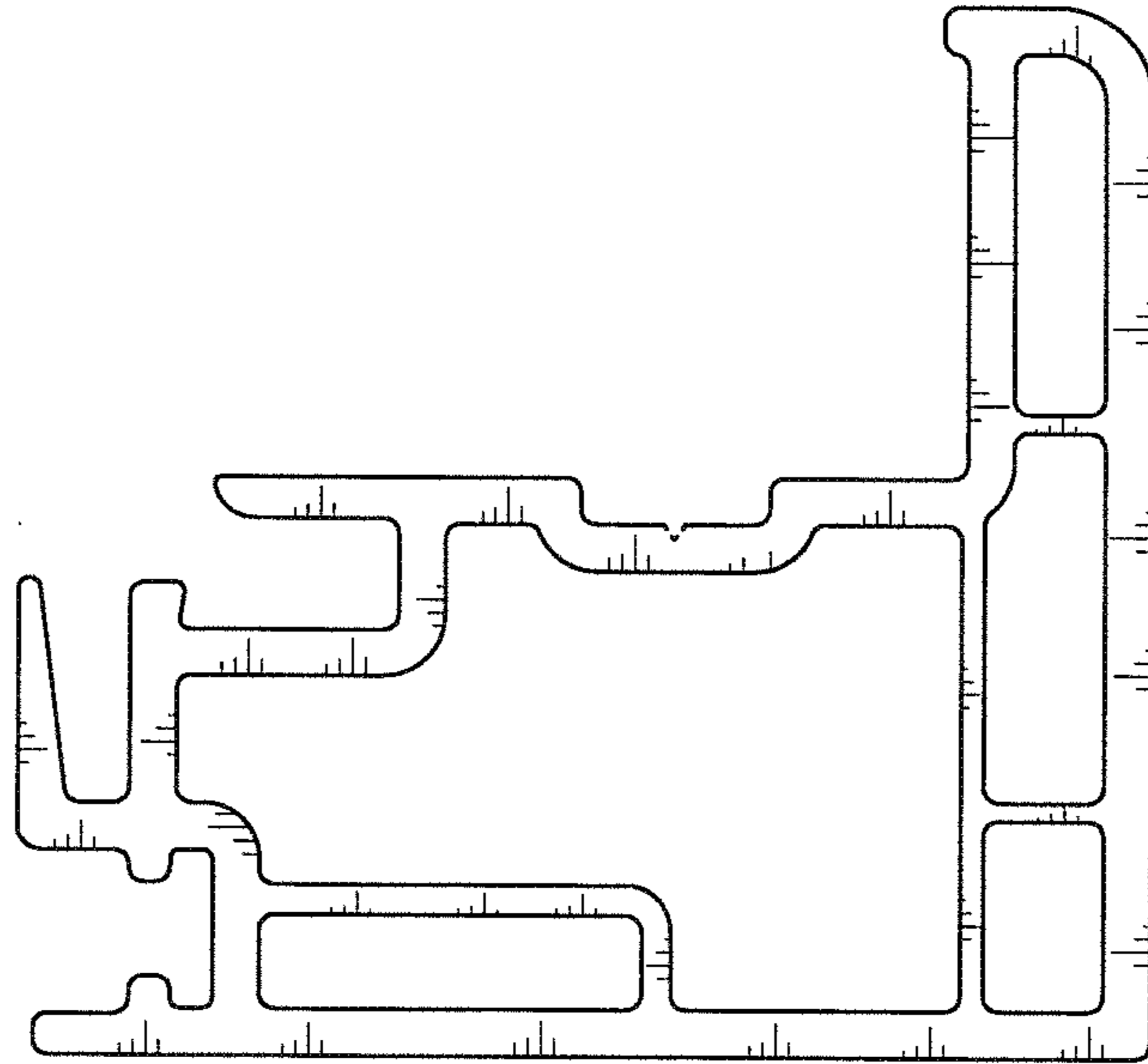


FIG. 2

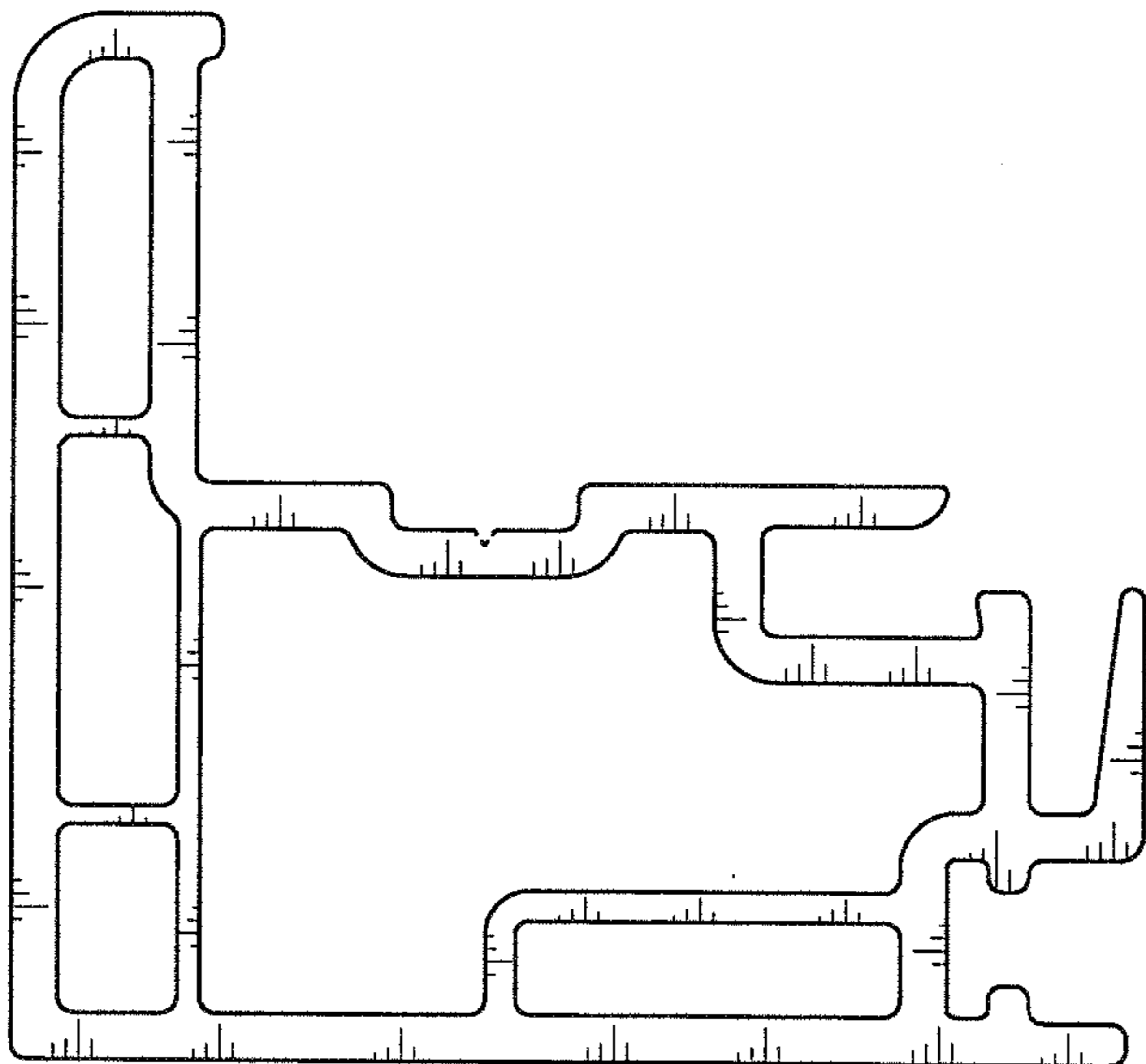


FIG. 3

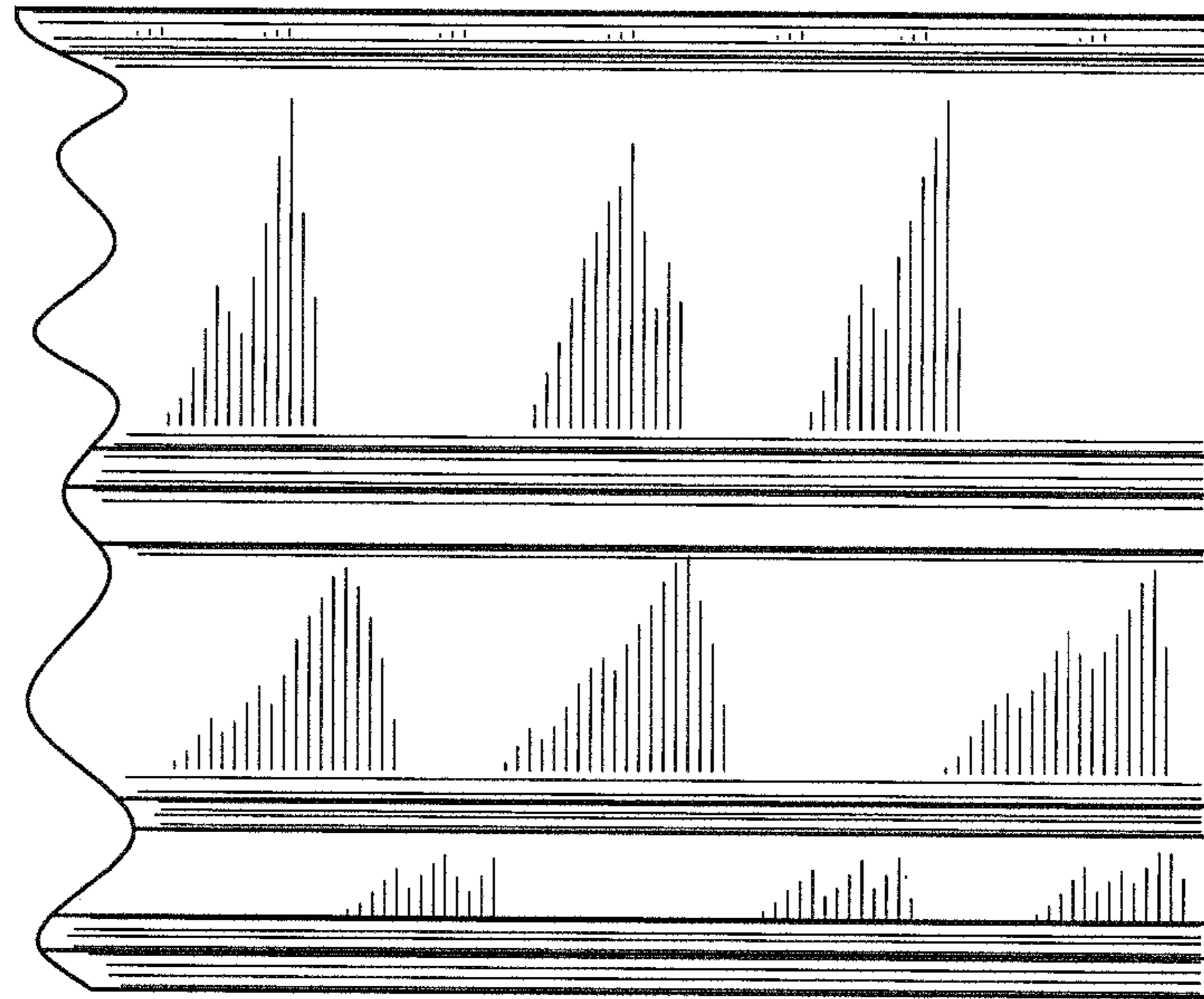


FIG. 4

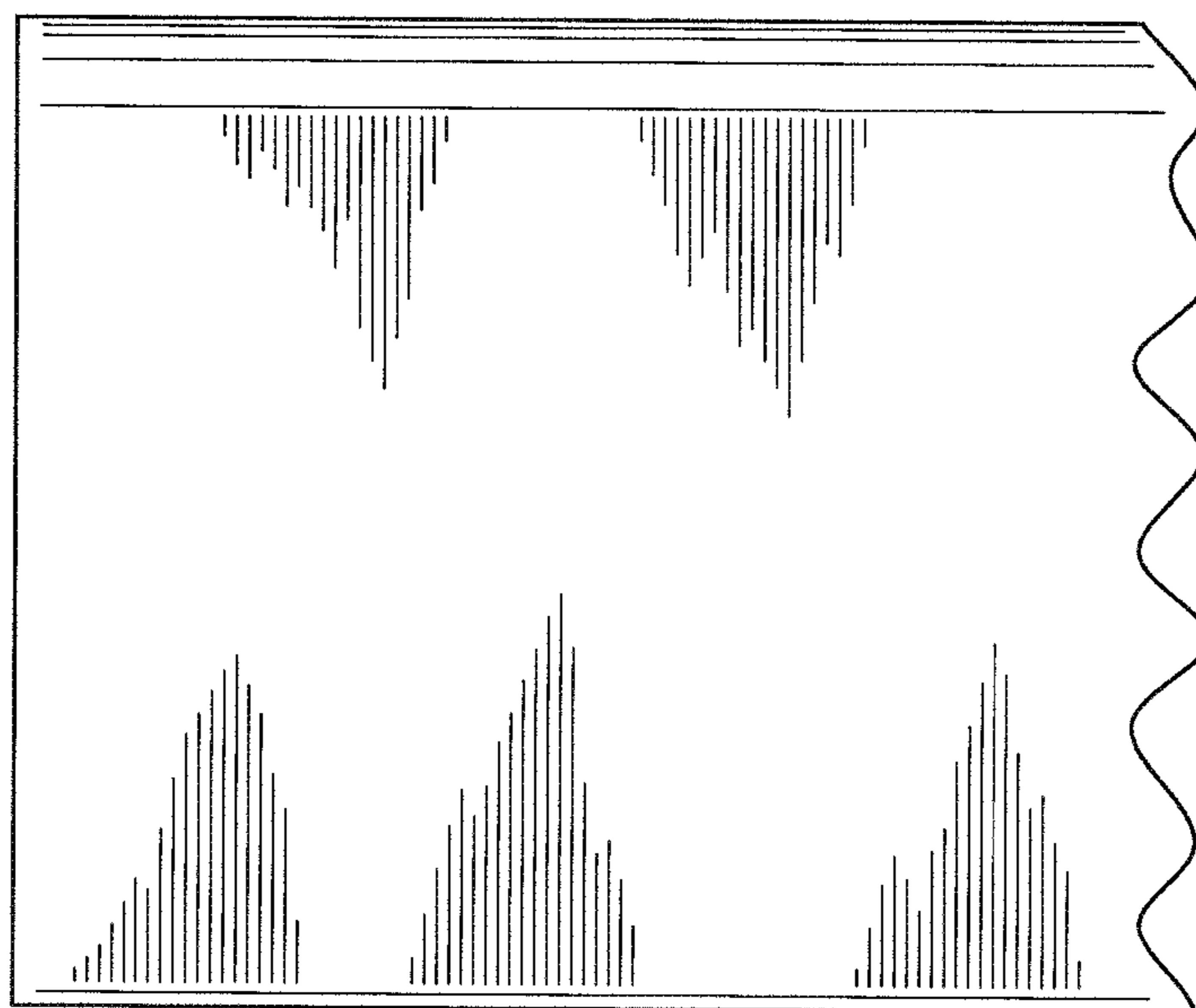


FIG. 5

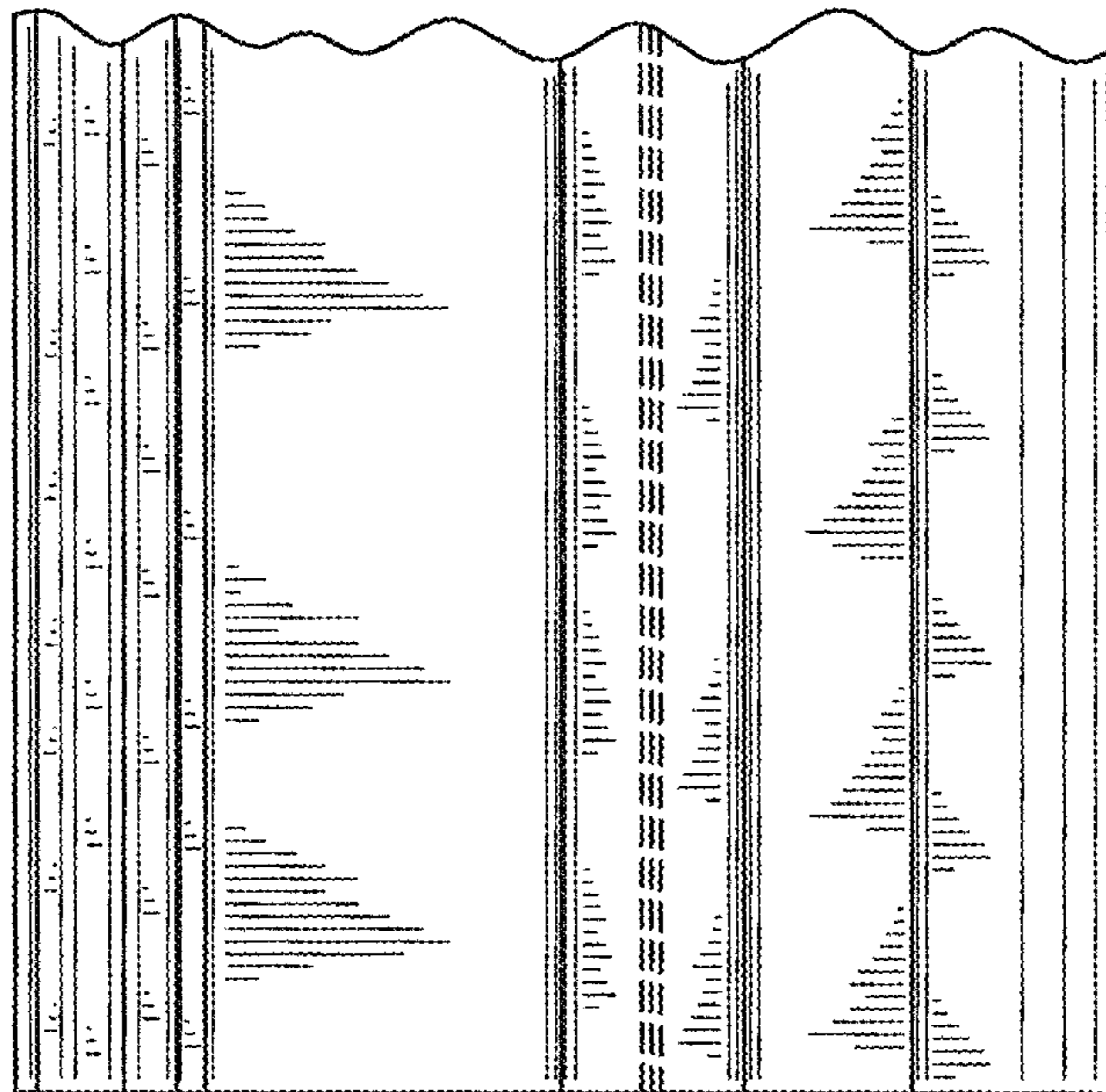


FIG. 6

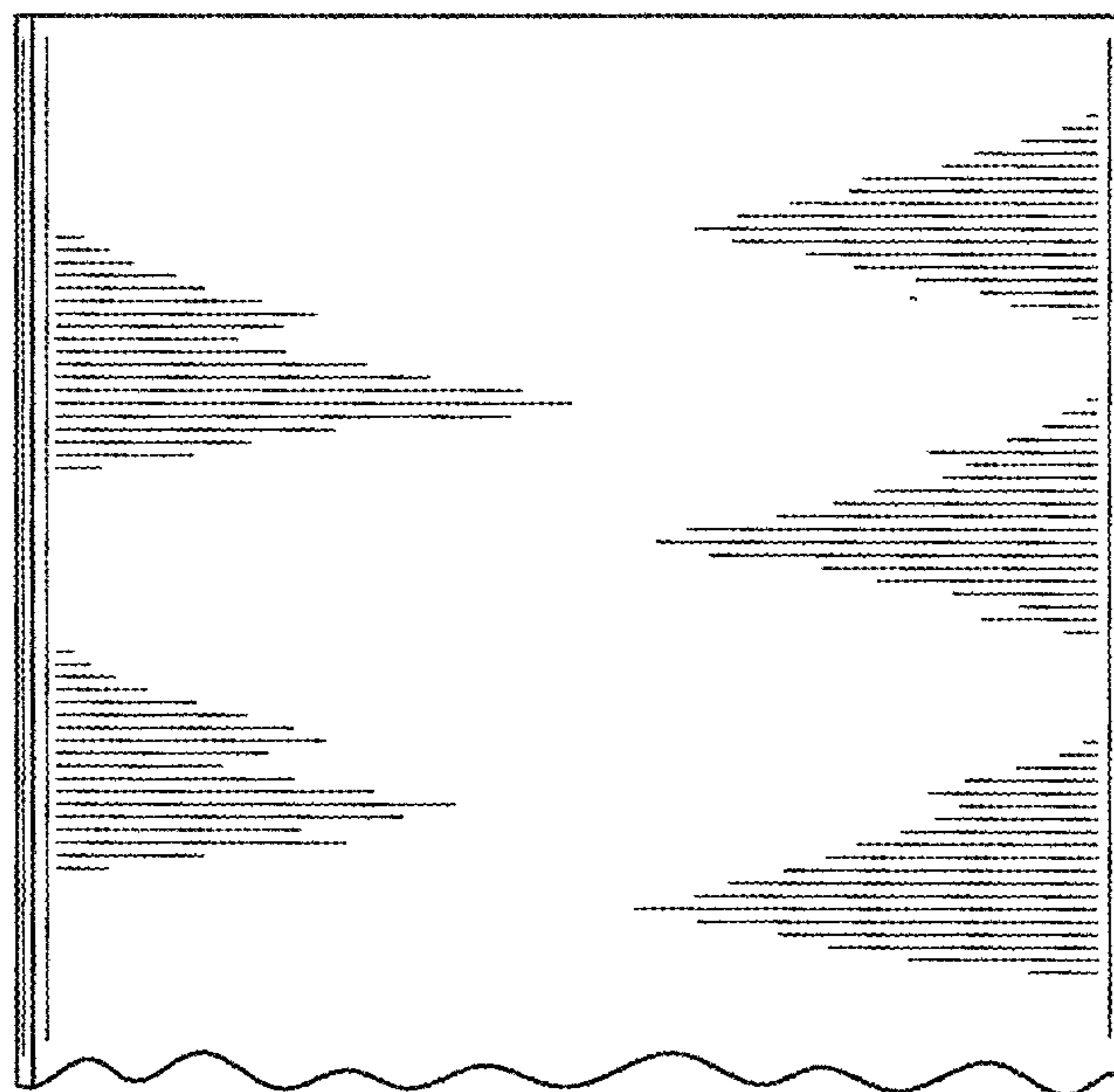


FIG. 7