



US00D759847S

(12) **United States Design Patent**
Marshall

(10) **Patent No.:** **US D759,847 S**
(45) **Date of Patent:** **** Jun. 21, 2016**

(54) **WINDOW COMPONENT EXTRUSION**

(71) Applicant: **Chelsea Building Products, Inc.,**
Oakmont, PA (US)

(72) Inventor: **Philip Marshall,** Pittsburgh, PA (US)

(73) Assignee: **Chelsea Building Products, Inc.,**
Oakmont, PA (US)

(**) Term: **14 Years**

(21) Appl. No.: **29/524,835**

(22) Filed: **Apr. 23, 2015**

(51) **LOC (10) Cl.** **25-01**

(52) **U.S. Cl.**
USPC **D25/124**

(58) **Field of Classification Search**
USPC D25/119–125; 52/204.1, 204.2, 204.5,
52/204.51, 204.55, 204.61, 204.62,
52/204.69, 204.7, 204.72, 206, 208, 209,
52/212, 213, 215, 579, 656.2, 656.5,
52/656.6, 656.7, 800.13, 717.01, 793.1,
52/794.1; D20/42, 43, 44; D34/35
CPC E06B 1/36; E06B 1/702; E06B 1/366;
E06B 1/524; E06B 1/68; E06B 1/04; E06B
1/28; E06B 1/30; E06B 3/305; E06B 3/22;
E06B 3/222; E06B 3/24; E06B 2003/66385
See application file for complete search history.

(56) **References Cited**

U.S. PATENT DOCUMENTS

D364,470 S *	11/1995	Goss, Jr.	D25/124
D364,690 S *	11/1995	Goss, Jr.	D25/124
D376,210 S *	12/1996	DiGiorgio	D25/124
D384,425 S *	9/1997	Goss	D25/124
D452,743 S *	1/2002	Edger	D25/124
D453,845 S *	2/2002	Scalzott	D25/124
D461,257 S *	8/2002	Ballard	D25/124
D461,915 S *	8/2002	Ballard	D25/124
D558,362 S *	12/2007	Fannan	D25/124
D566,858 S *	4/2008	Fannan	D25/124

D576,299 S *	9/2008	Morton	D25/124
D576,301 S *	9/2008	Morton	D25/124
D576,747 S *	9/2008	Morton	D25/124
D578,665 S *	10/2008	Franson	D25/124
D593,686 S *	6/2009	Campbell	D25/124
D597,220 S *	7/2009	Campbell	D25/124
D602,609 S *	10/2009	Lockbeam	D25/124
D626,663 S *	11/2010	Stephens	D25/124
D627,489 S *	11/2010	Stephens	D25/124

(Continued)

Primary Examiner — Cynthia Ramirez

Assistant Examiner — Llorellys Martinez-Rivera

(74) *Attorney, Agent, or Firm* — Drinker Biddle & Reath LLP

(57) **CLAIM**

The ornamental design for a window component extrusion, as shown and described.

DESCRIPTION

FIG. 1 is a perspective view of a window component extrusion showing my new design.

FIG. 2 is a right side view of the window component extrusion of FIG. 1.

FIG. 3 is a left side view of the window component extrusion of FIG. 1.

FIG. 4 is a front view of the window component extrusion of FIG. 1.

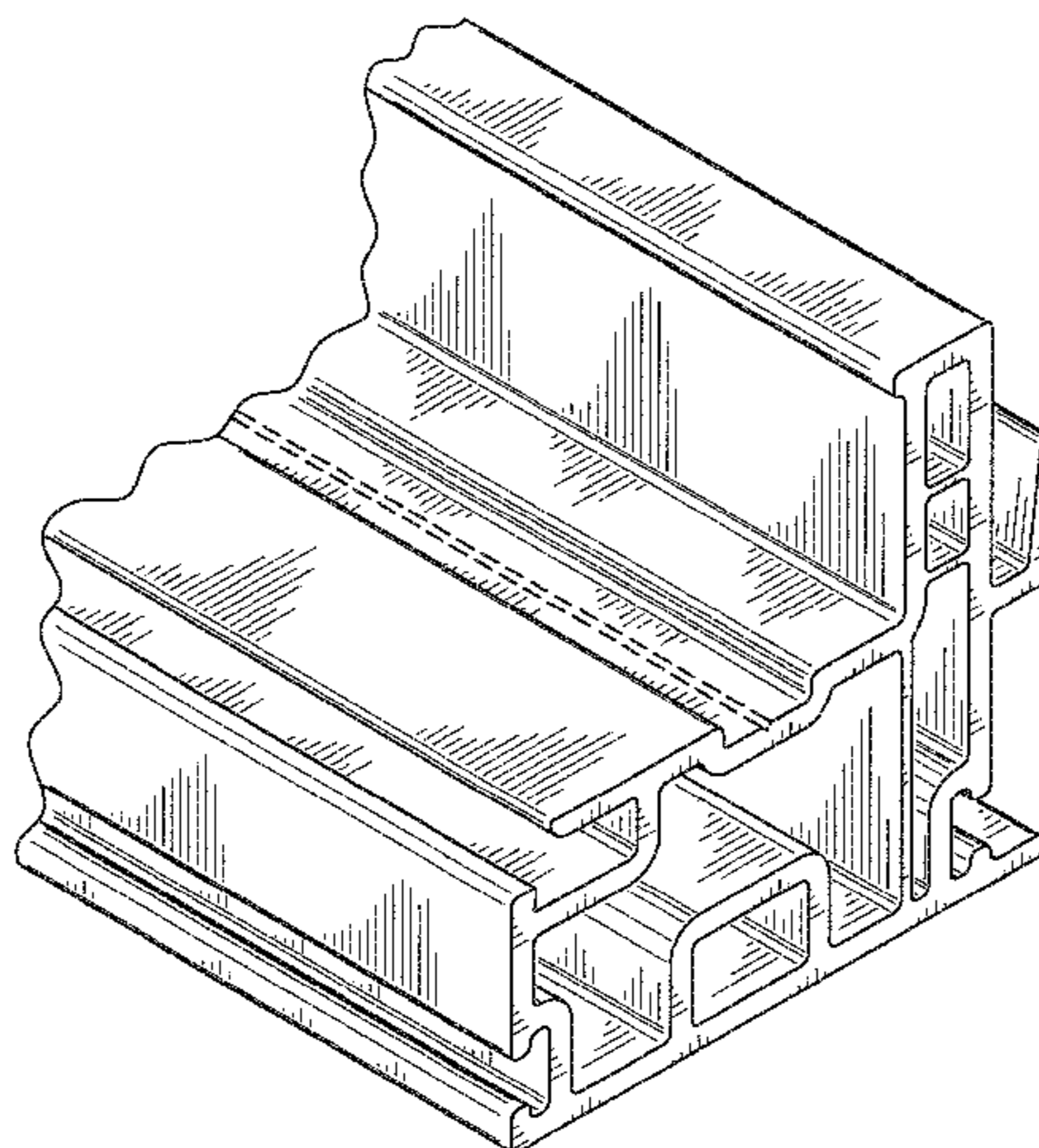
FIG. 5 is a rear view of the window component extrusion of FIG. 1.

FIG. 6 is a top view of the window component extrusion of FIG. 1; and,

FIG. 7 is a bottom view of the window component extrusion of FIG. 1.

The broken lines shown in the drawings illustrate environmental subject matter only and form no part of the claimed design. A symbolic break has been shown in the drawings indicating that any portion of the window component extrusion beyond what is shown forms no part of the claimed design.

1 Claim, 4 Drawing Sheets



(56)

References Cited

U.S. PATENT DOCUMENTS

D713,555 S	9/2014	Stankay et al.	D716,968 S	11/2014	Stankay	
D713,556 S	9/2014	Stankay	D729,947 S	5/2015	Stankay	
D713,557 S	9/2014	Stankay	D729,948 S	5/2015	Stankay	
D713,559 S *	9/2014	Jenkins	D731,677 S *	6/2015	Bernier	D25/125
		D25/124	D736,957 S *	8/2015	Chaney	D25/124
			D739,045 S *	9/2015	Campbell	D25/124
			D740,446 S *	10/2015	Chaney	D25/124

* cited by examiner

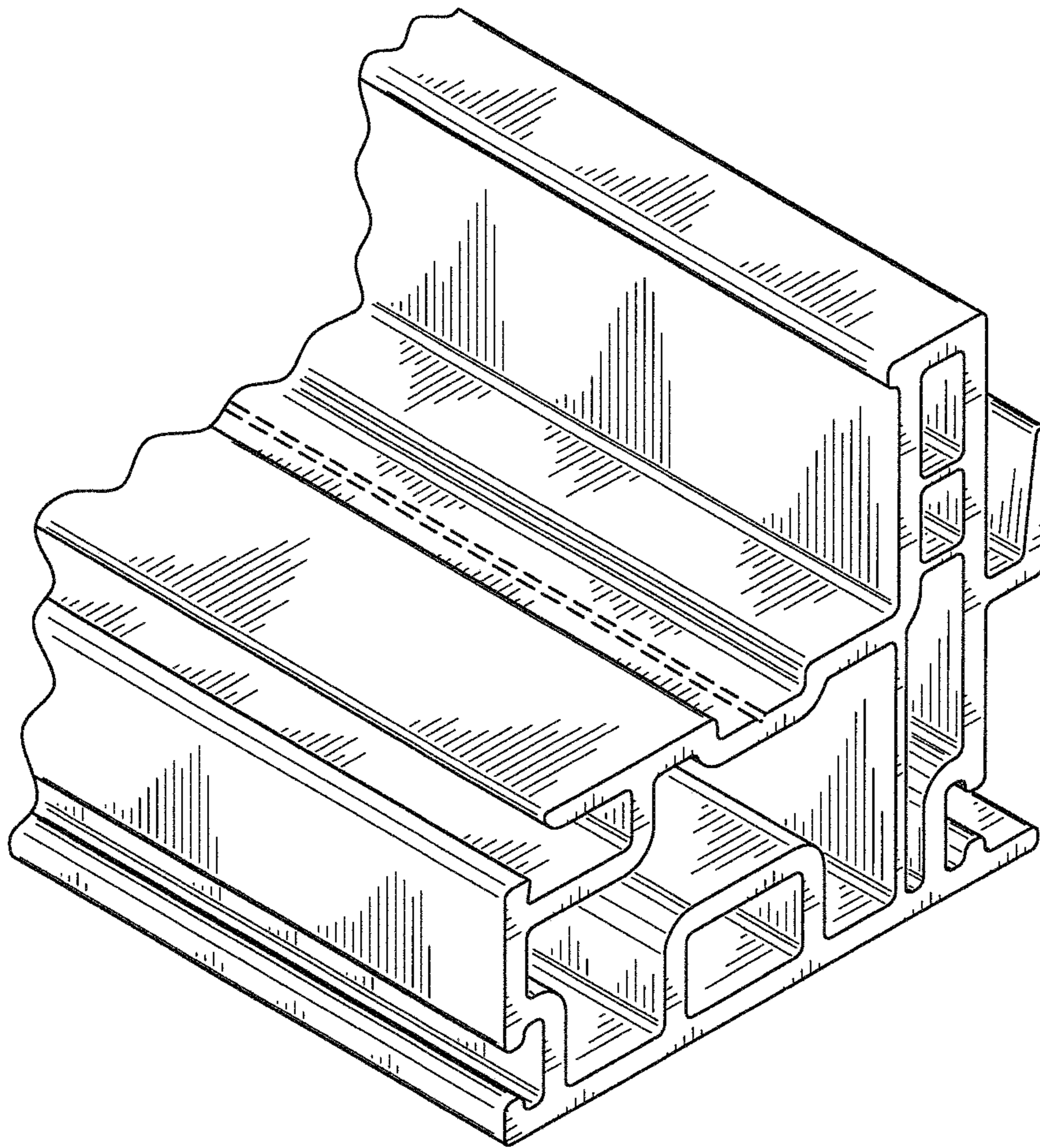


FIG. 1

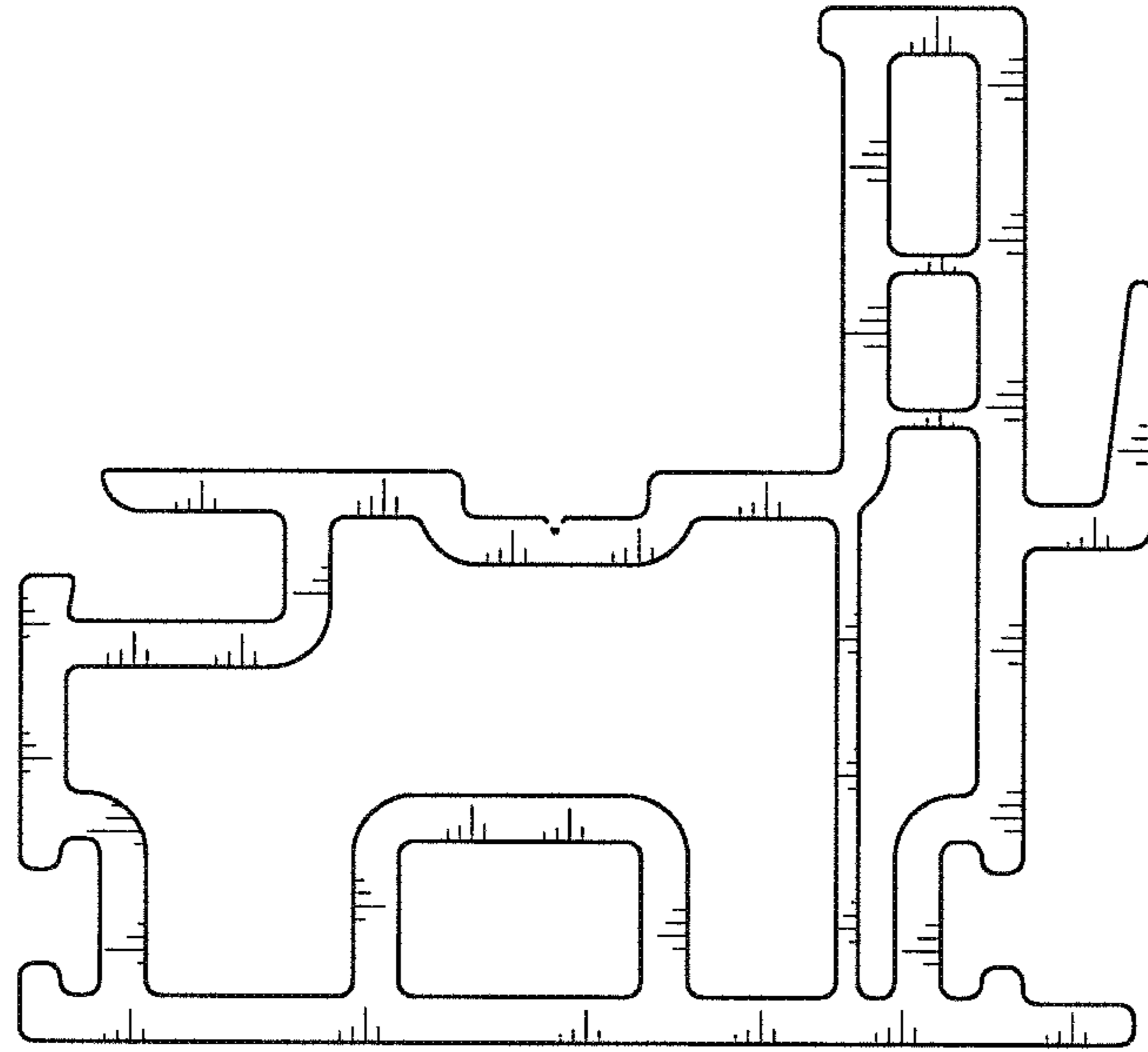


FIG. 2

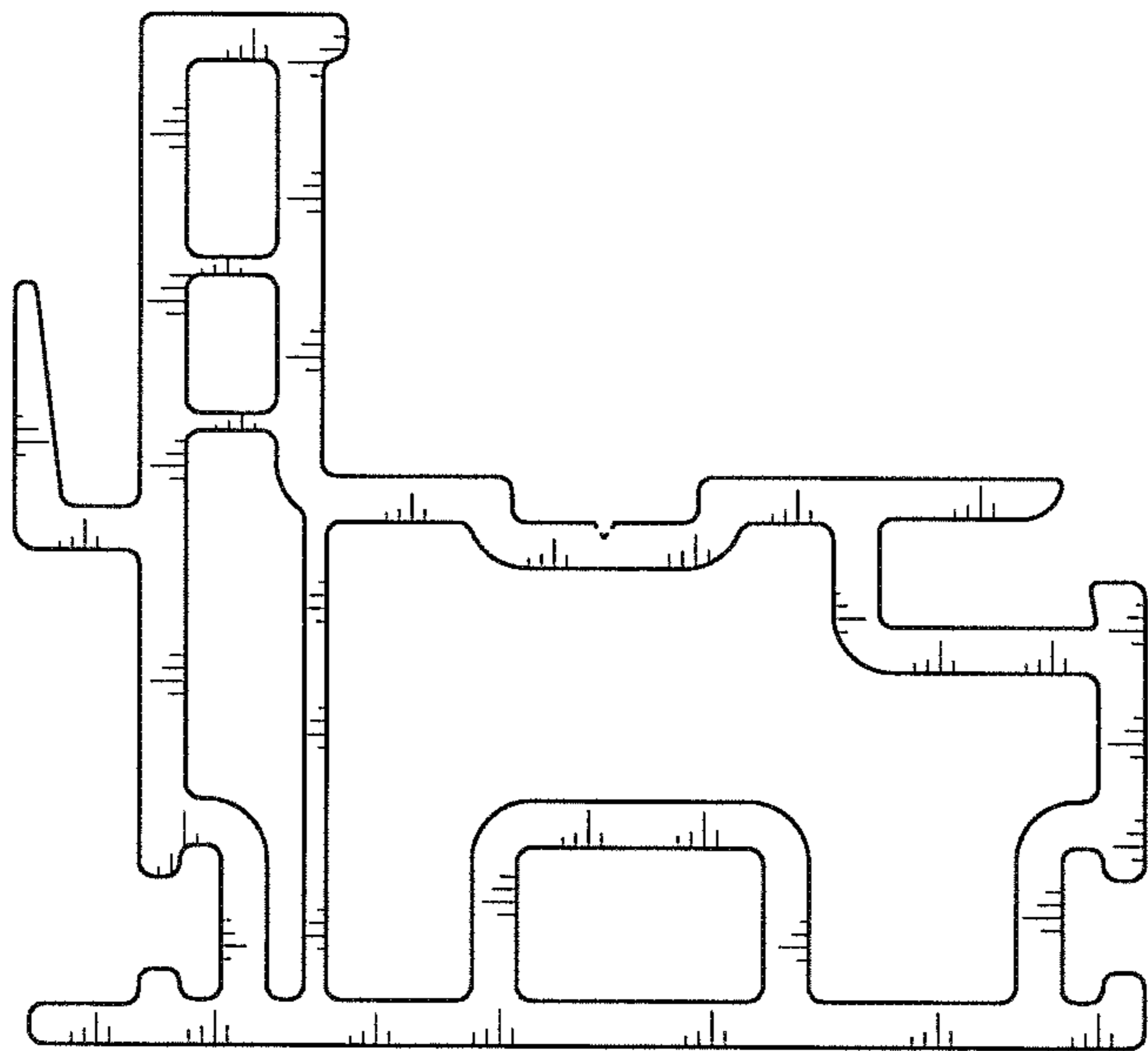


FIG. 3

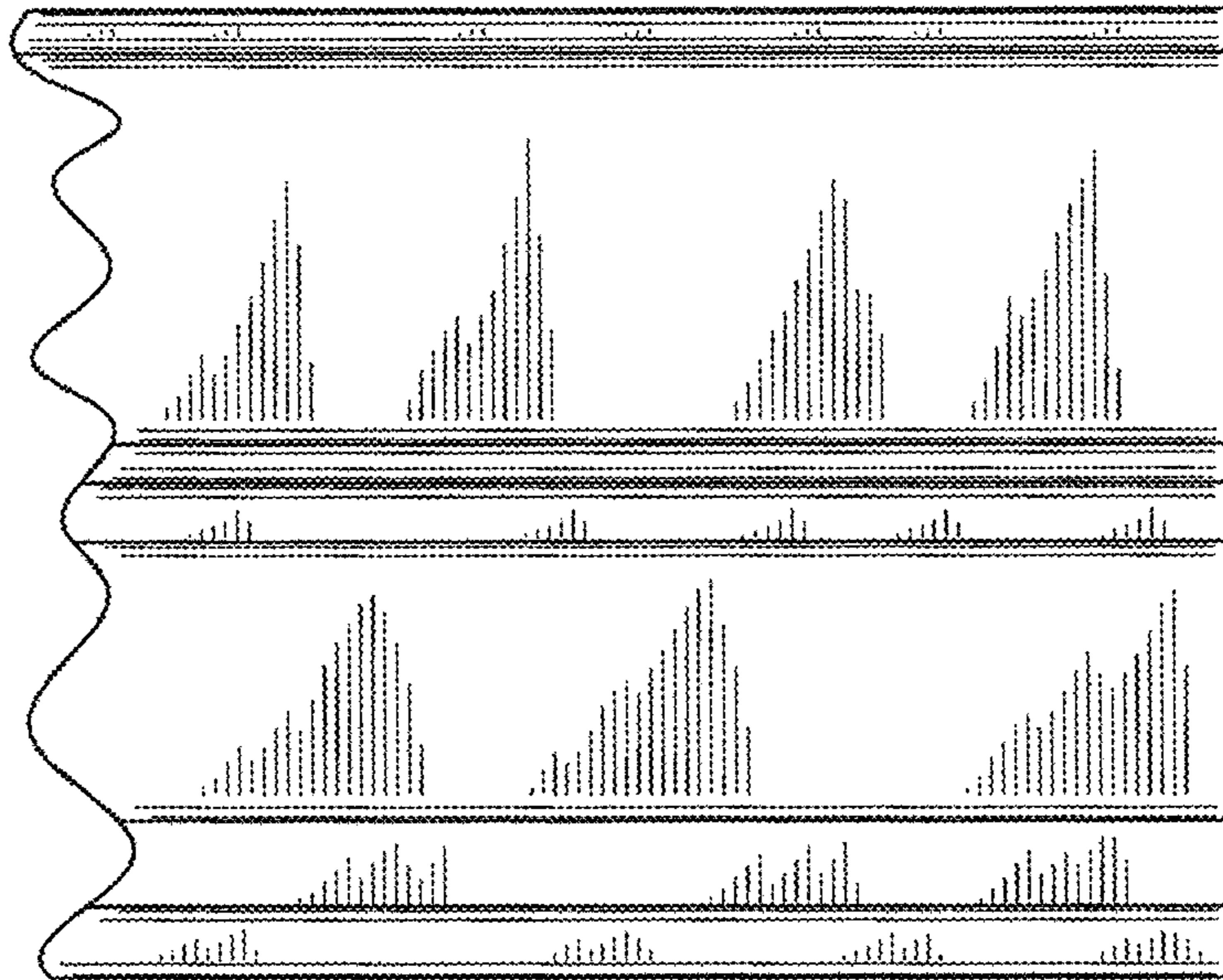


FIG. 4

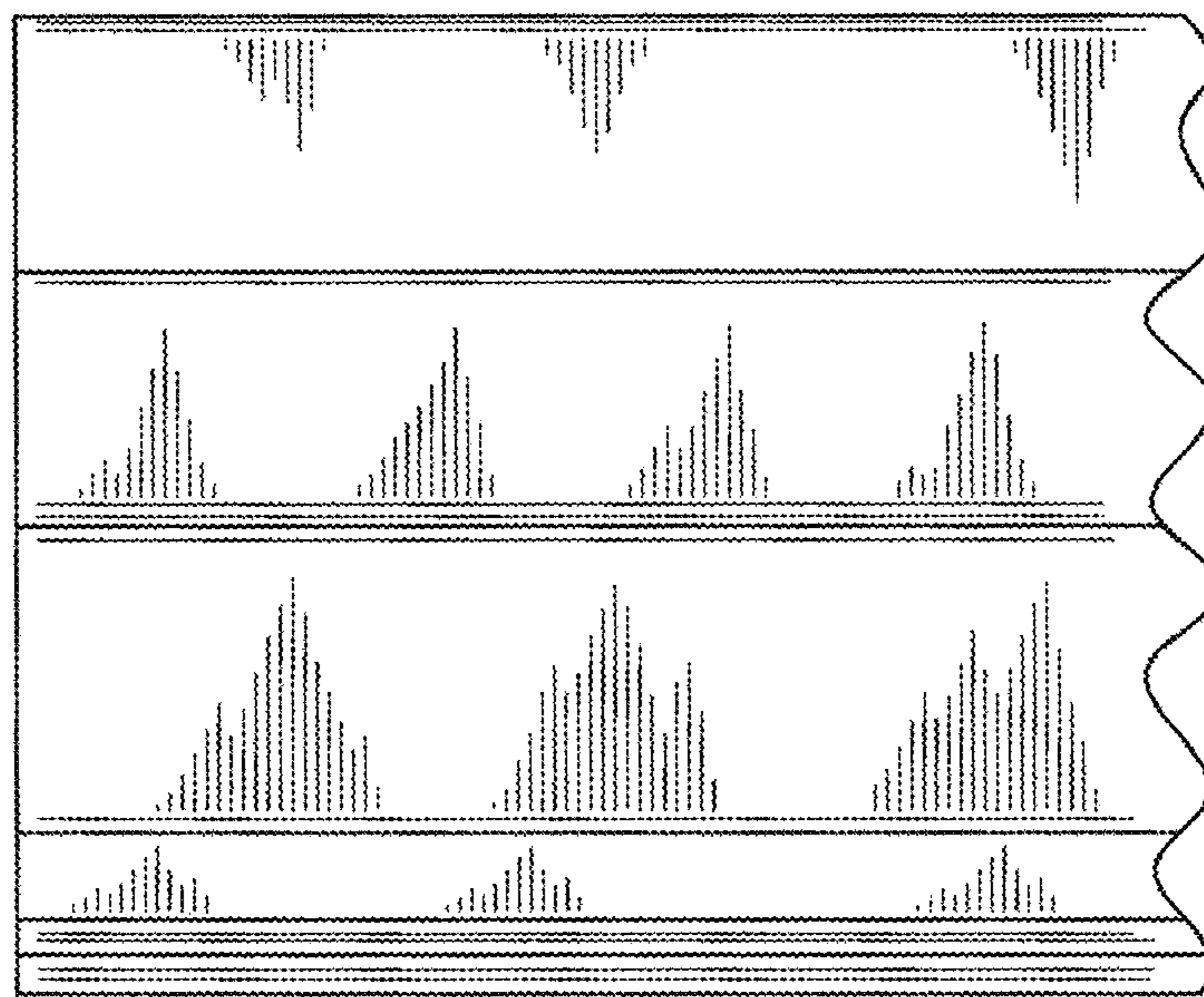


FIG. 5

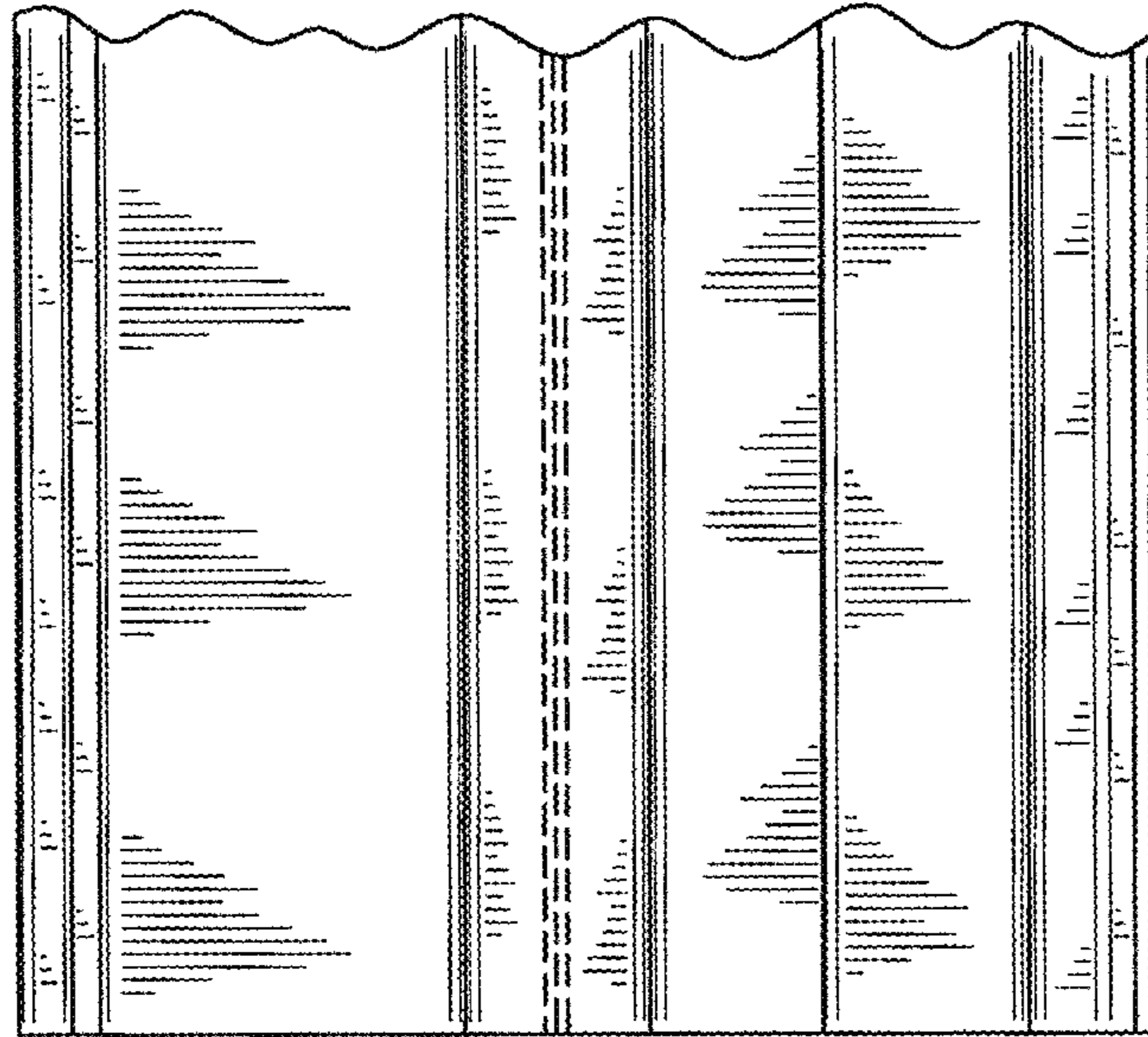


FIG. 6

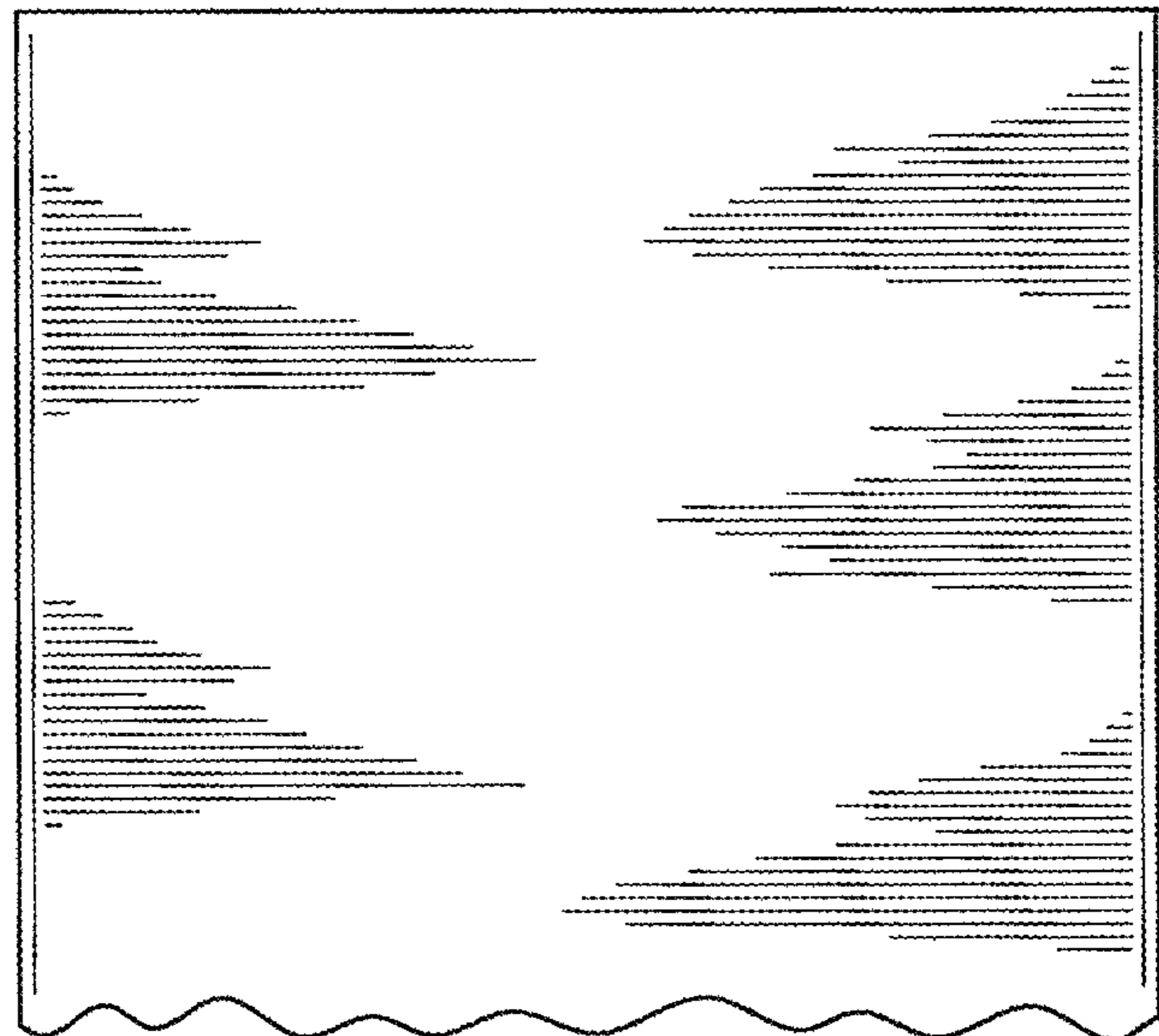


FIG. 7