



US00D759842S

(12) **United States Design Patent**
Umlor et al.

(10) **Patent No.:** **US D759,842 S**
(45) **Date of Patent:** **** Jun. 21, 2016**

- (54) **COMBINED LADDER REST AND RESTRAINING DEVICE**
- (71) Applicants: **Terrence L. Umlor**, Kingsley, MI (US);
Todd T. Sears, Traverse City, MI (US)
- (72) Inventors: **Terrence L. Umlor**, Kingsley, MI (US);
Todd T. Sears, Traverse City, MI (US)
- (**) Term: **14 Years**
- (21) Appl. No.: **29/515,322**
- (22) Filed: **Jan. 21, 2015**
- (51) **LOC (10) Cl.** **25-04**
- (52) **U.S. Cl.**
USPC **D25/68**
- (58) **Field of Classification Search**
USPC D25/62-69; 52/741.2, 179, 182, 741.3;
182/107, 207, 106, 178.2, 180.1, 214,
182/113, 117, 165; 248/210, 211; 211/32,
211/113, 105.1, 206; 223/85, 92, DIG. 4,
223/DIG. 1; D32/58, 59; D6/512, 513, 515,
D6/552, 553, 566, 567, 573
CPC E04F 11/163; E04F 11/16; E04F 11/104;
E04F 11/17; E06C 7/50; E06C 1/32; E06C
1/36; E06C 7/182; E06C 7/188; E06C 7/48
See application file for complete search history.

D498,631	S *	11/2004	Anderson	D6/566
6,962,237	B2	11/2005	Underhill		
D533,745	S *	12/2006	Rodrigue	D6/566
7,909,138	B2 *	3/2011	Svehlek	E06C 7/48 182/107
8,099,910	B1	1/2012	Gaines		
D683,054	S	5/2013	Deardorf		
8,439,163	B2	5/2013	Inman		
D706,953	S	6/2014	Johnson		
D715,964	S	10/2014	Von Hebestreit		
9,234,389	B2 *	1/2016	Umlor	E06C 7/486
2009/0000868	A1	1/2009	Gaines		
2013/0055648	A1	3/2013	Snyder		
2013/0199874	A1	8/2013	Davis, Jr.		
2015/0204140	A1 *	7/2015	Umlor	E06C 7/486 182/165

- (56) **References Cited**
U.S. PATENT DOCUMENTS
5,000,328 A * 3/1991 Hein A47G 25/0607
211/32
5,215,163 A 6/1993 Kent, Sr. et al.
D417,996 S * 12/1999 Mallen D6/513
6,029,774 A * 2/2000 Cothorn E06C 7/188
182/107
6,152,262 A * 11/2000 Jung E06C 7/48
182/107
6,578,665 B1 6/2003 DeBaca et al.

OTHER PUBLICATIONS

Ladderport, www.ladder-port.com, ladderdock, 2013 retailer choice best new product winner, dated Mar. 25, 2014, 8 page.

* cited by examiner

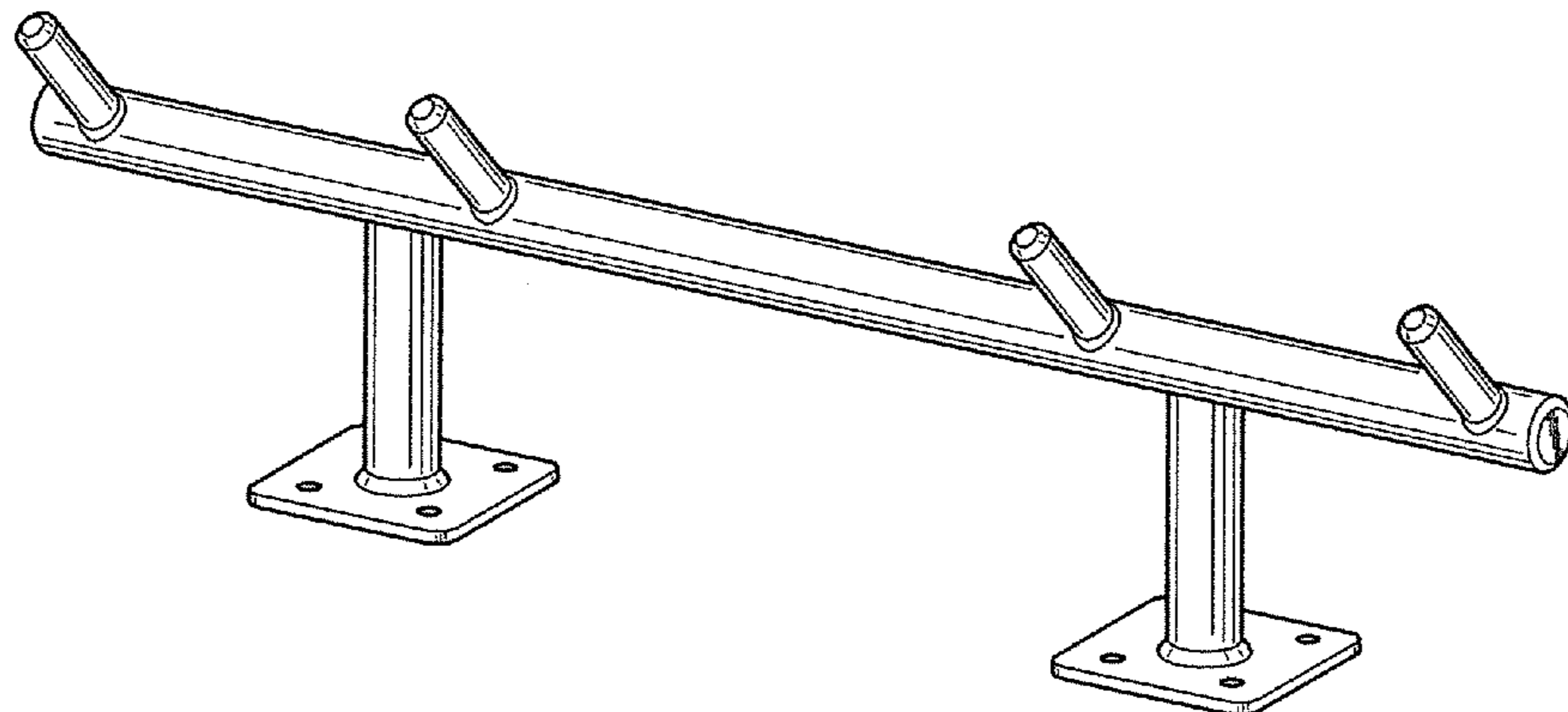
Primary Examiner — Cynthia Ramirez
Assistant Examiner — Gino Colan
(74) *Attorney, Agent, or Firm* — Dinsmore & Shohl LLP

(57) **CLAIM**
The ornamental design for a combined ladder rest and restraining device, as shown and described.

DESCRIPTION

FIG. 1 is a perspective view of the combined ladder rest and restraining device showing our new design;
FIG. 2 is a front view thereof;
FIG. 3 is a rear view thereof;
FIG. 4 is a top view thereof;
FIG. 5 is a bottom view thereof;
FIG. 6 is a right side view thereof; and,
FIG. 7 is a left side view thereof.

1 Claim, 2 Drawing Sheets



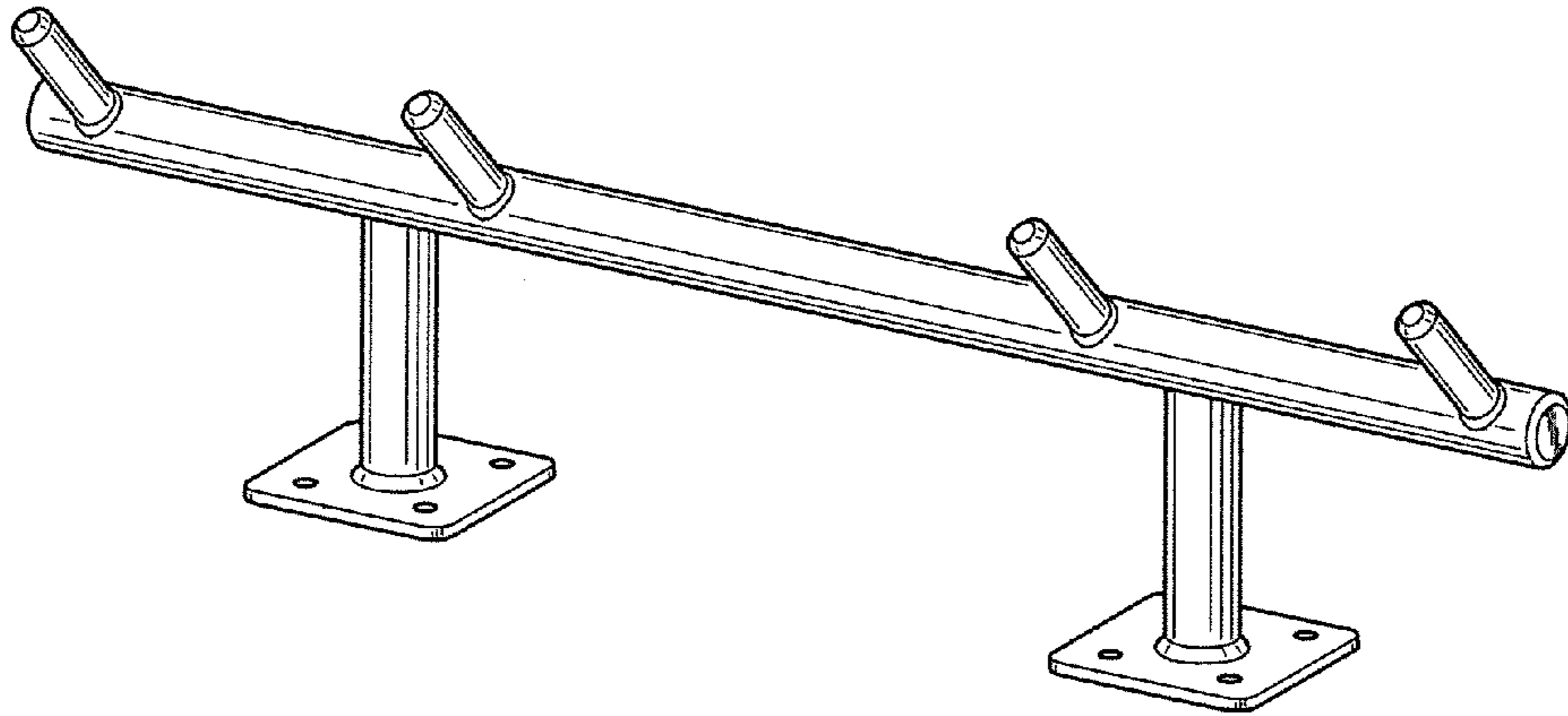


FIG. 1

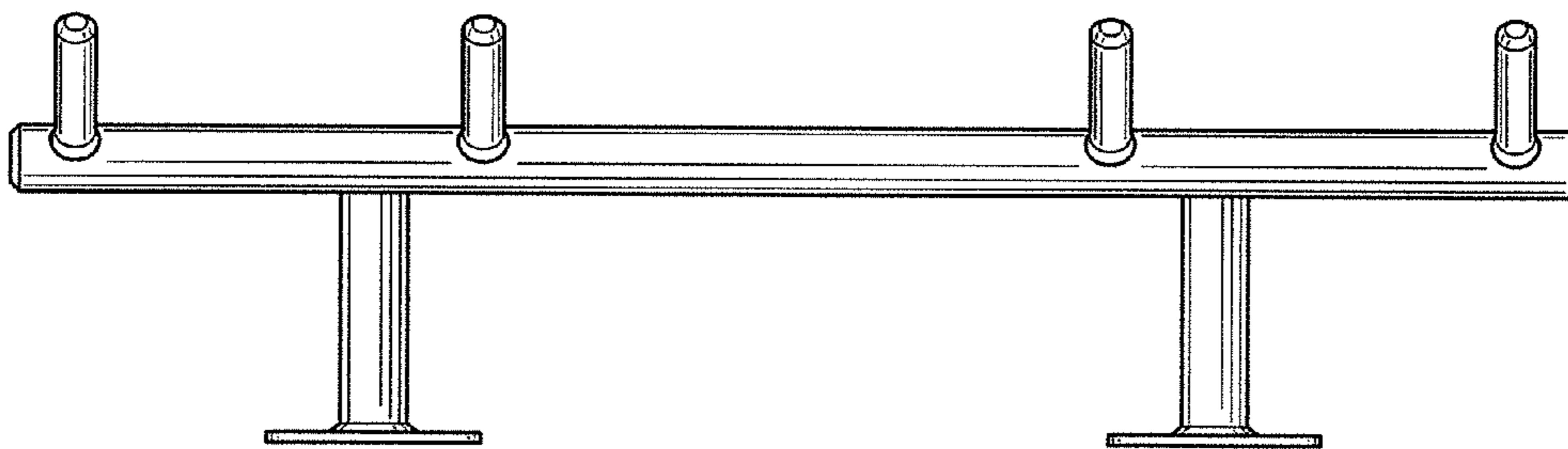


FIG. 2

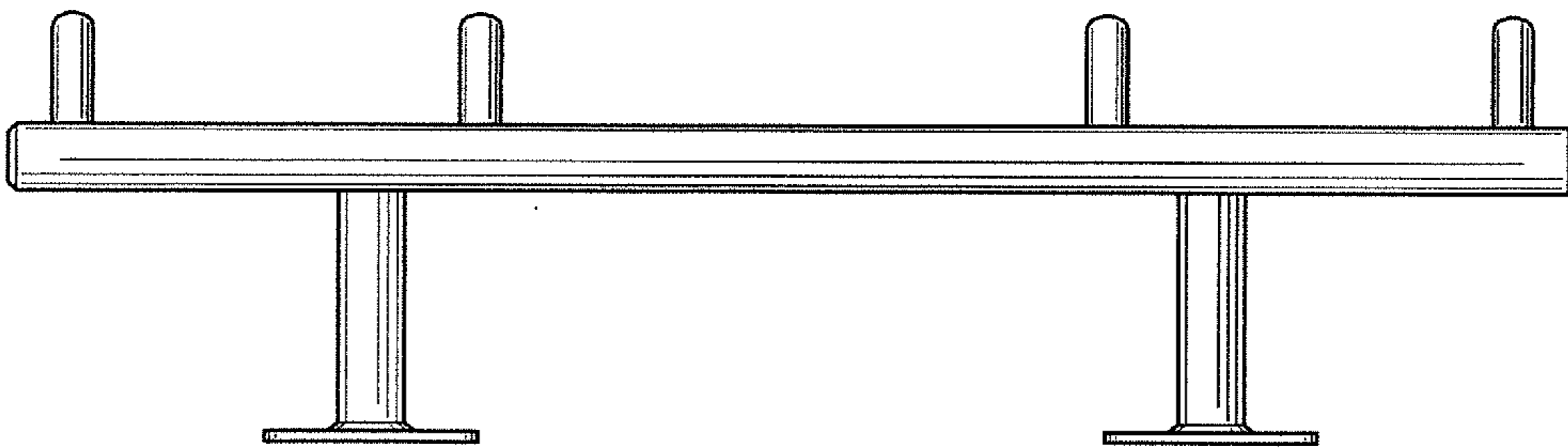


FIG. 3

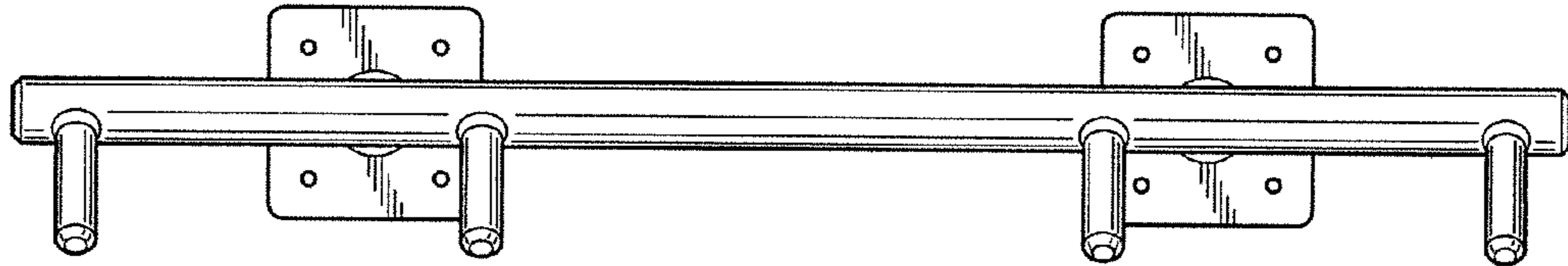


FIG. 4

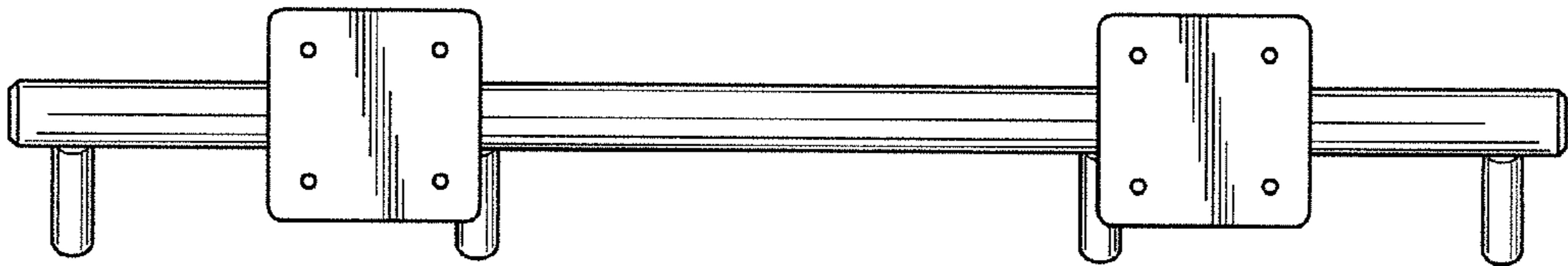


FIG. 5

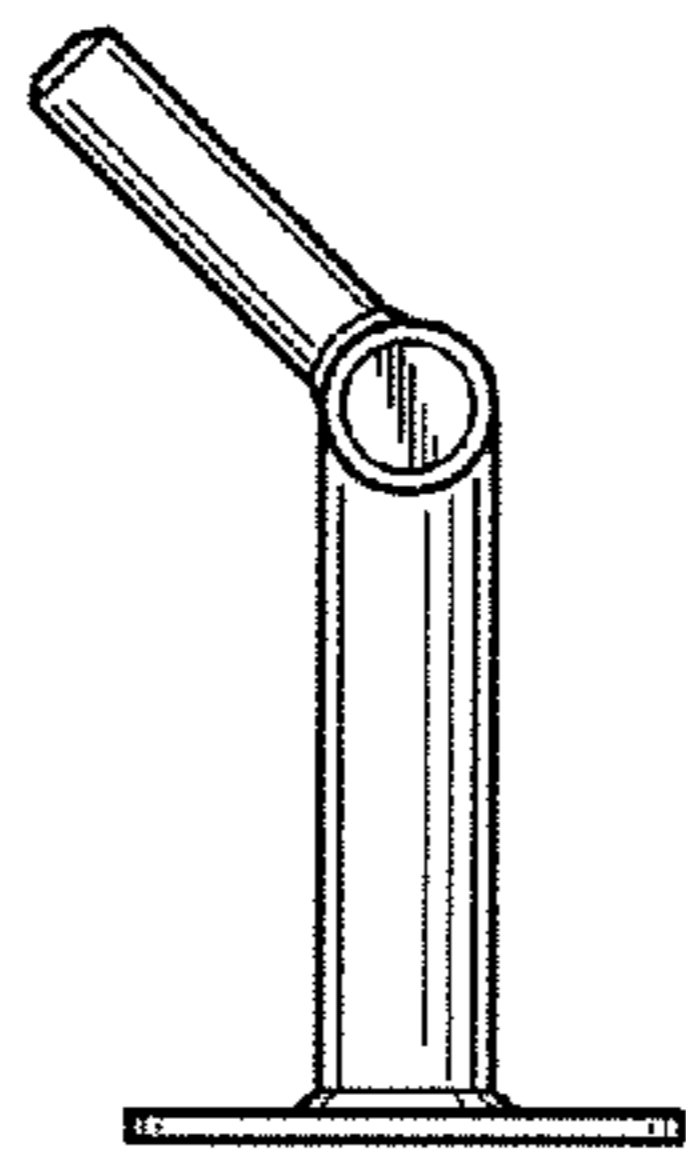


FIG. 6

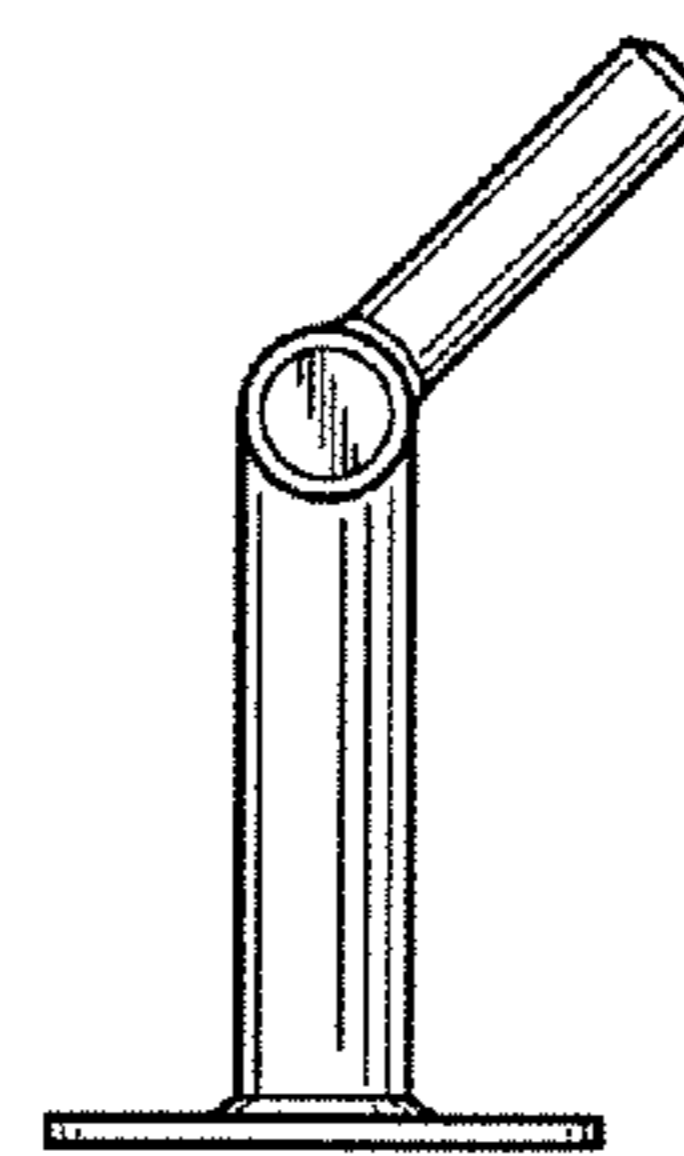


FIG. 7