

US00D759841S

(12) **United States Design Patent**
Badillo

(10) **Patent No.:** **US D759,841 S**

(45) **Date of Patent:** **** Jun. 21, 2016**

(54) **VEHICLE LADDER**

(71) Applicant: **Intelligent Designs 2000 Corp.**, Aurora, CO (US)

(72) Inventor: **Paul Badillo**, Littleton, CO (US)

(73) Assignee: **Intelligent Designs 2000 Corporation**, Aurora, CO (US)

(**) Term: **15 Years**

(21) Appl. No.: **29/535,867**

(22) Filed: **Aug. 11, 2015**

(51) **LOC (10) Cl.** **25-04**

(52) **U.S. Cl.**
USPC **D25/64**

(58) **Field of Classification Search**
USPC D25/62-69; 248/303, 304, 551, 302, 248/339, 210; D8/370, 373; 182/90, 151, 182/92, 187, 228.5, 228.2, 46, 82, 93, 94, 182/194, 195, 64.1, 22, 127, 230, 65.1, 179, 182/21, 23
CPC A63B 27/00; A63B 27/02; E04H 4/144
See application file for complete search history.

(56) **References Cited**

U.S. PATENT DOCUMENTS

D176,238	S	*	11/1955	Wallace et al.	114/362
4,716,988	A	*	1/1988	Graffy	E06C 7/08 182/194
D359,134	S		6/1995	Toews		
6,003,633	A		12/1999	Rolson		
6,116,378	A		9/2000	Barrow		
D442,289	S		5/2001	Ziaylek et al.		
D479,884	S		9/2003	Berryman		
D490,163	S		5/2004	Thurston		
6,739,349	B2		5/2004	Kastenschmidt et al.		
D512,783	S		12/2005	Badillo		
D549,838	S		8/2007	Badillo		
D601,719	S	*	10/2009	Gibson	D25/64

D710,030	S	*	7/2014	Fitzgerald	D25/64
2005/0082326	A1		4/2005	Badillo		
2006/0108179	A1	*	5/2006	Sieb	B60R 3/005 182/127

OTHER PUBLICATIONS

“FJ Ladder,” BajaRack Adventure Equipment, 2 pages, first sale estimated in 2011 [retrieved from: <http://www.bajarack.com/ladder>].

* cited by examiner

Primary Examiner — Cynthia Ramirez

Assistant Examiner — Gino Colan

(74) *Attorney, Agent, or Firm* — Sheridan Ross P.C.

(57) **CLAIM**

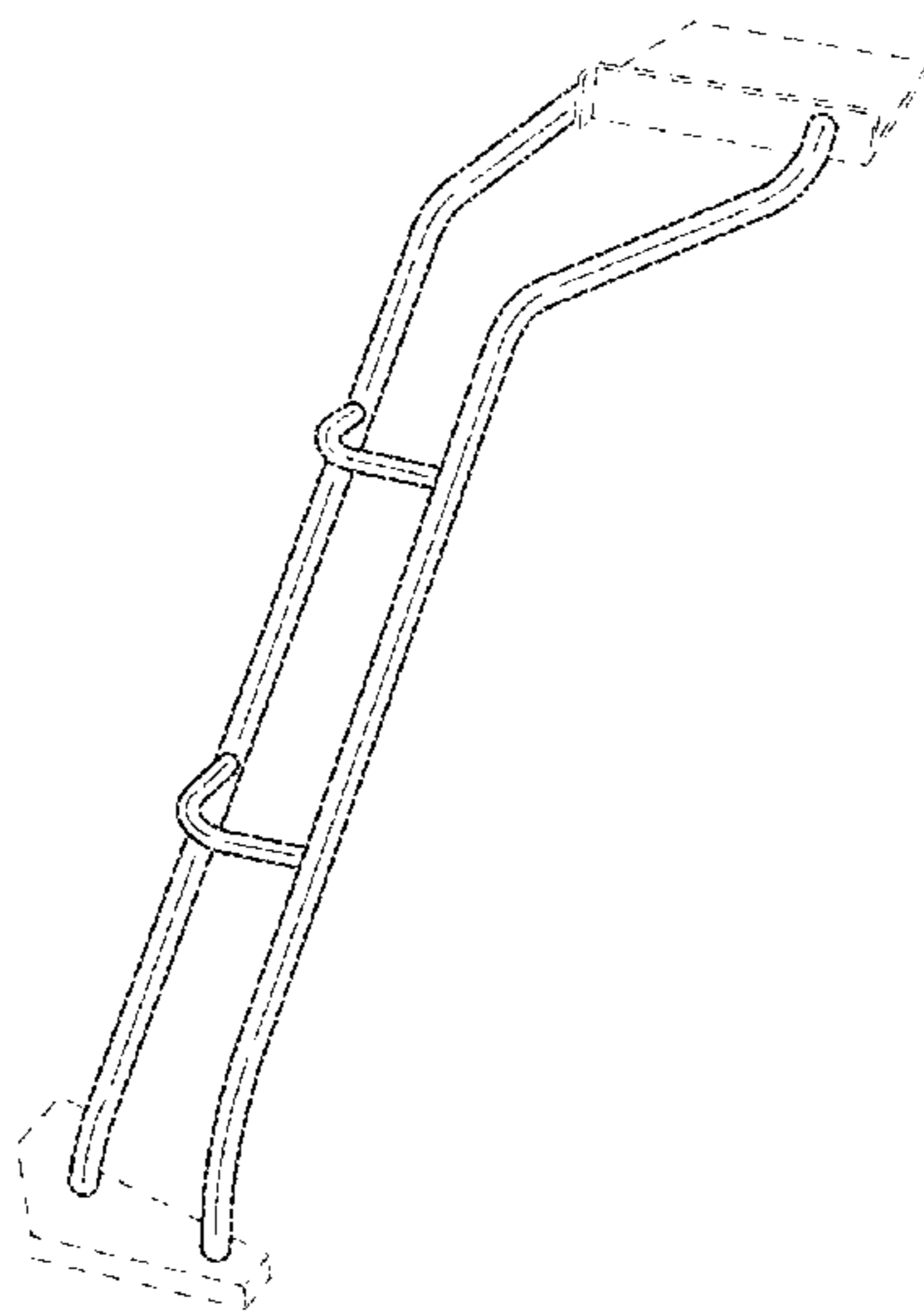
The ornamental design for a vehicle ladder, as shown and described.

DESCRIPTION

FIG. 1 is a perspective view of a vehicle ladder;
 FIG. 2 is a rear elevation view thereof;
 FIG. 3 is a front elevation view thereof;
 FIG. 4 is a left elevation view thereof;
 FIG. 5 is a right elevation view thereof;
 FIG. 6 is a top plan view thereof;
 FIG. 7 is a bottom plan view thereof;
 FIG. 8 is another embodiment of the vehicle ladder, the only difference being that the vehicle ladder is designed to interconnect to a right side of a vehicle;
 FIG. 9 is a rear elevation view thereof;
 FIG. 10 is a front elevation view thereof;
 FIG. 11 is a left elevation view thereof;
 FIG. 12 is a right elevation view thereof;
 FIG. 13 is a top plan view thereof; and,
 FIG. 14 is a bottom plan view thereof.

The broken lines shown in the figures are included for the purpose of illustrating environment and form no part of the claimed design.

1 Claim, 8 Drawing Sheets



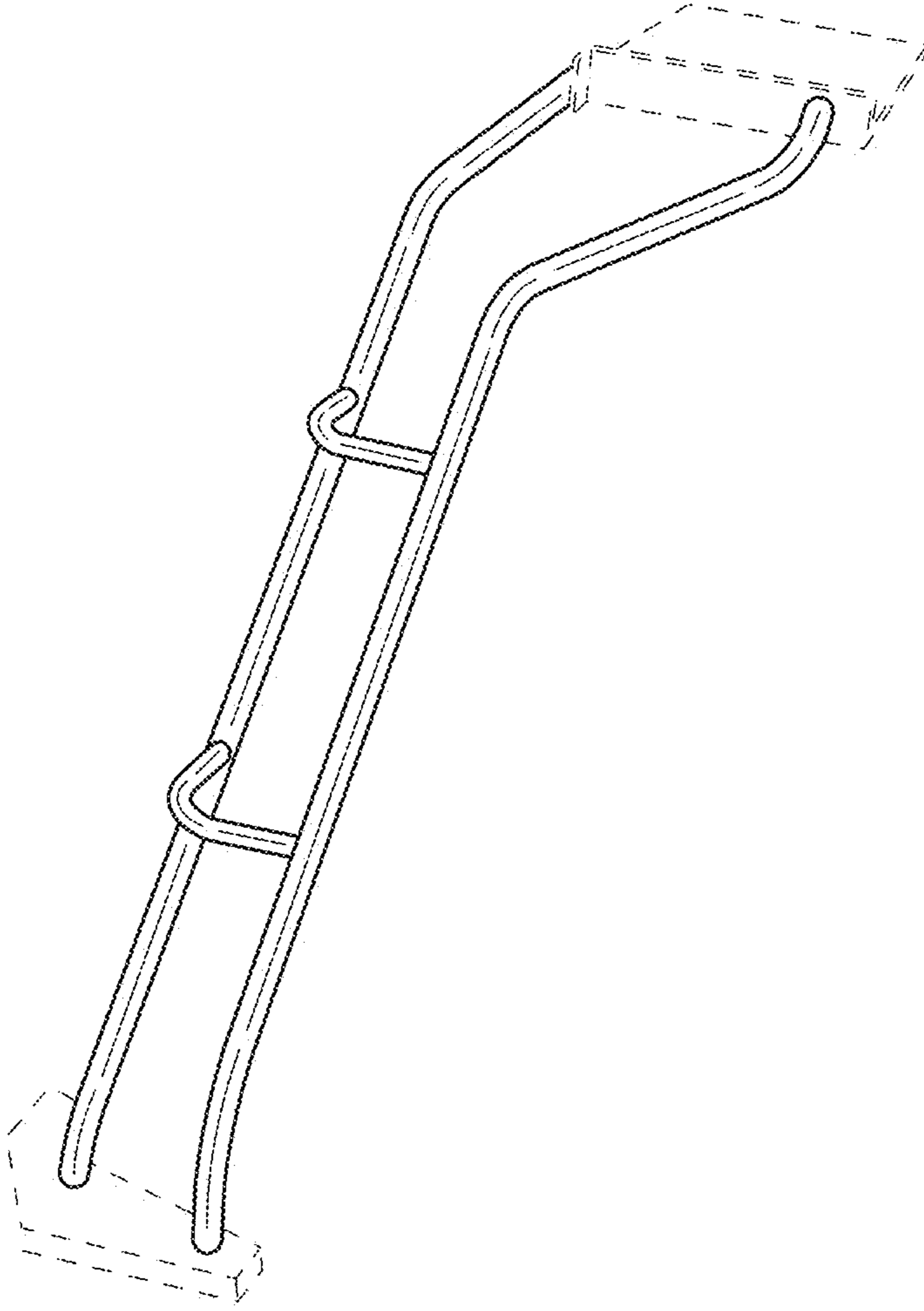


FIG.1

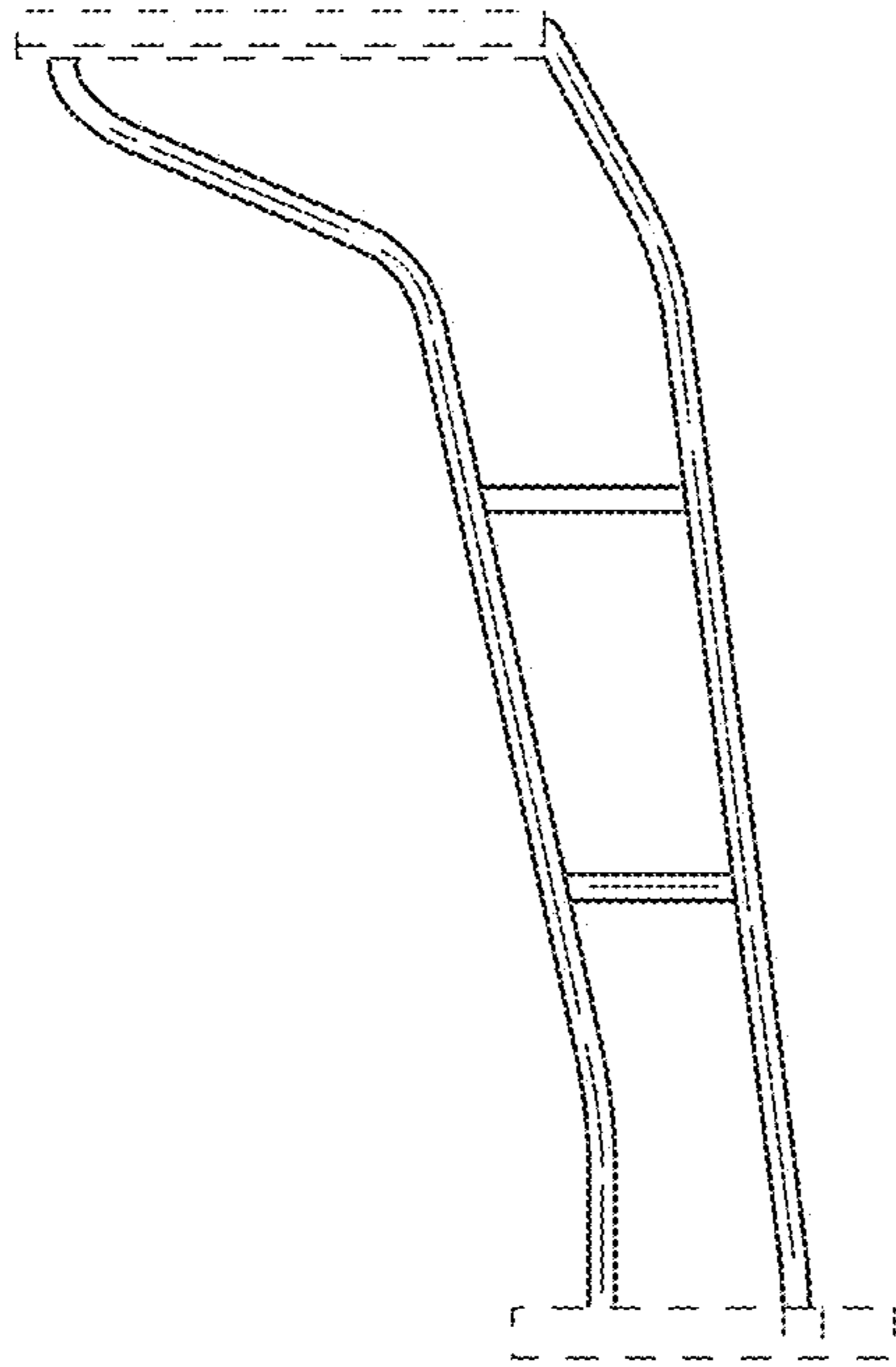


FIG. 2

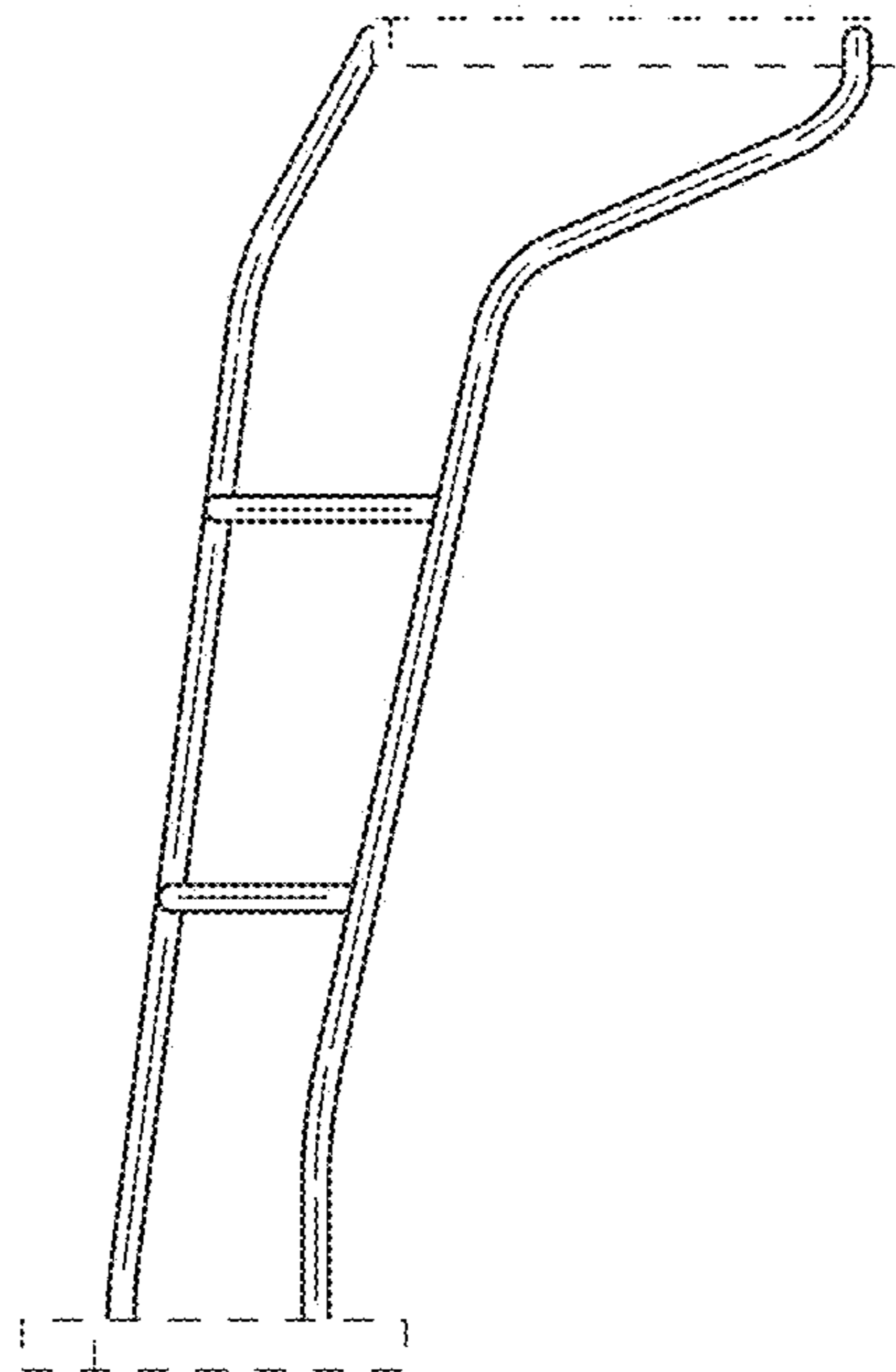


FIG. 3

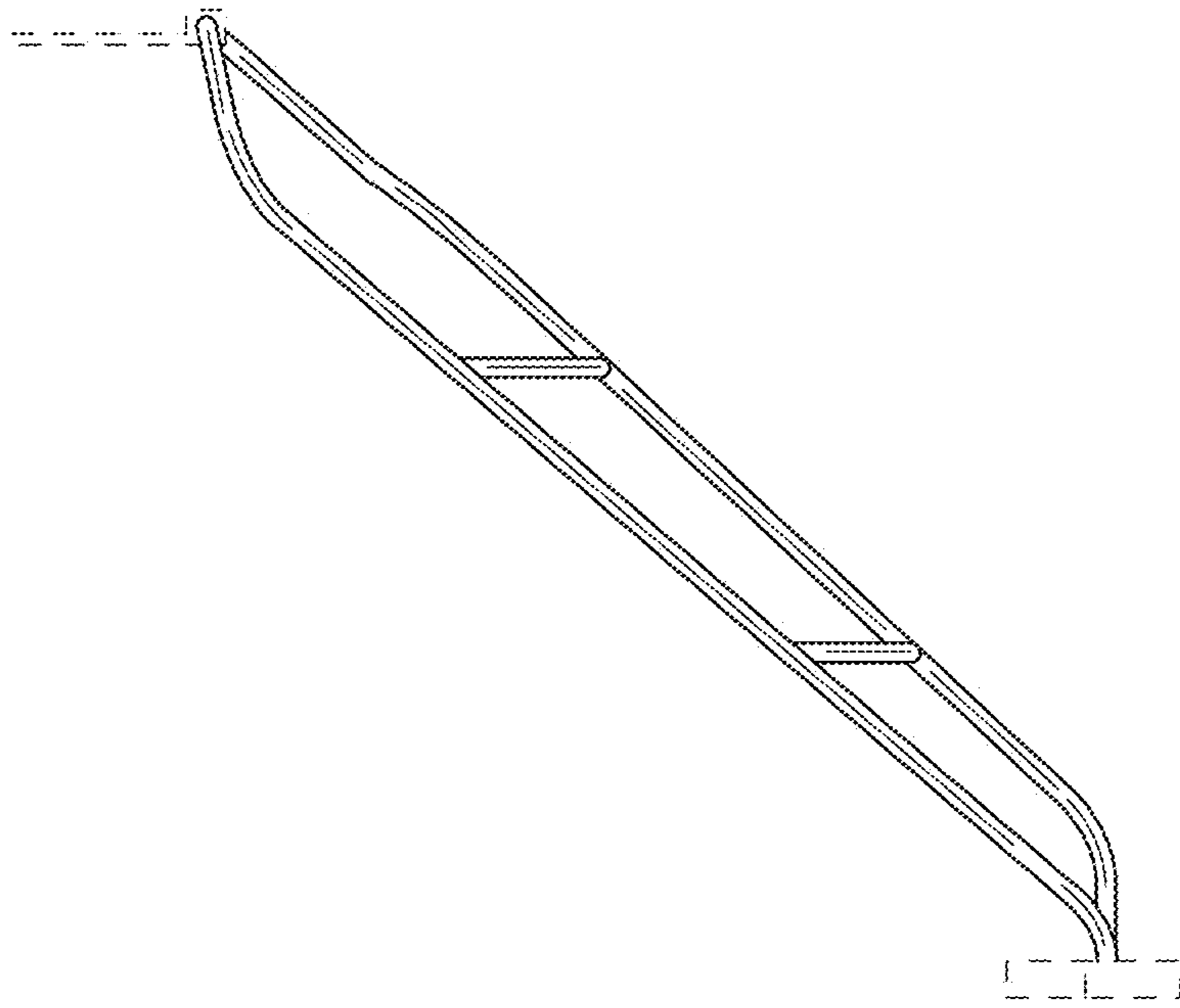


FIG.4

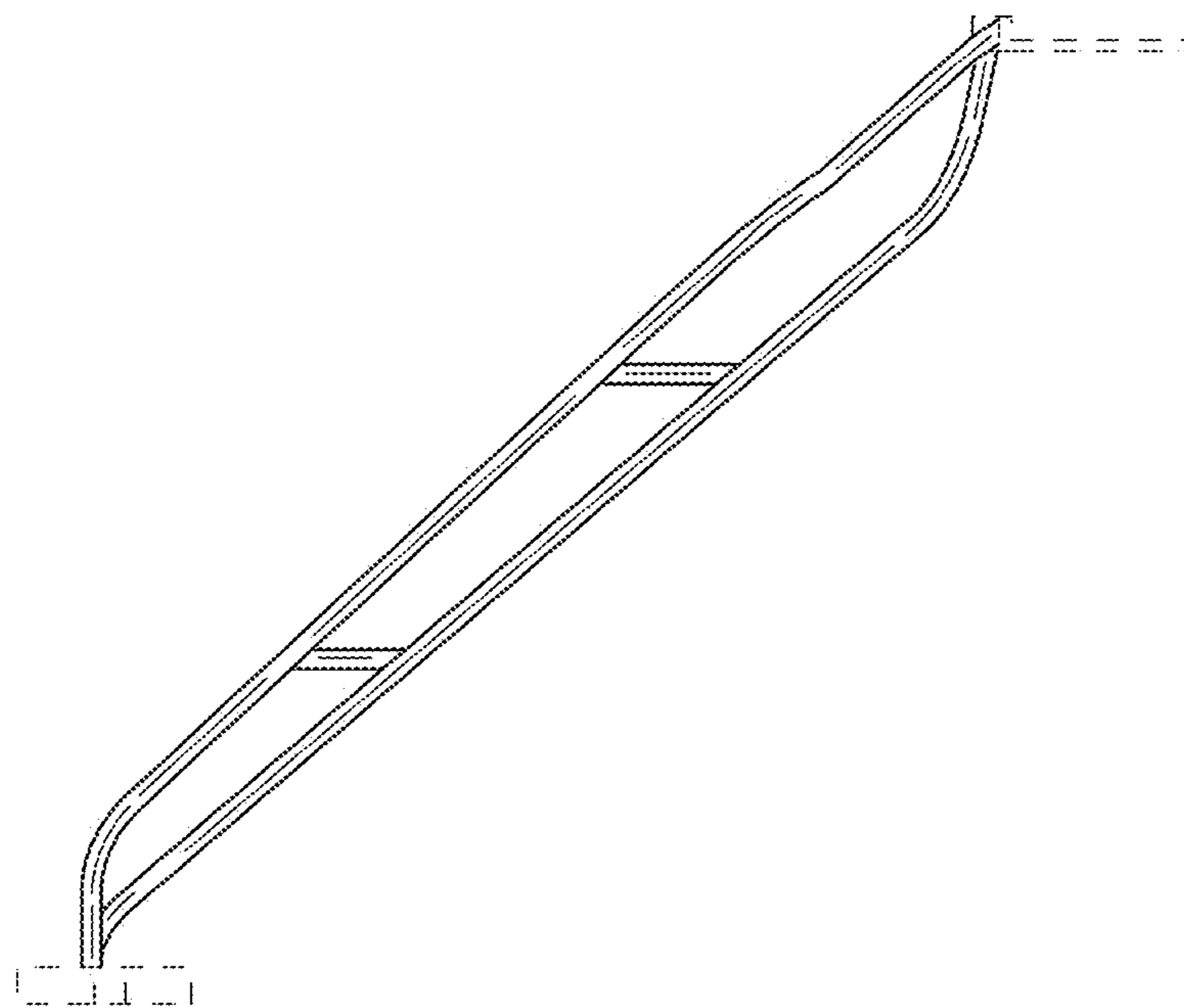


FIG.5

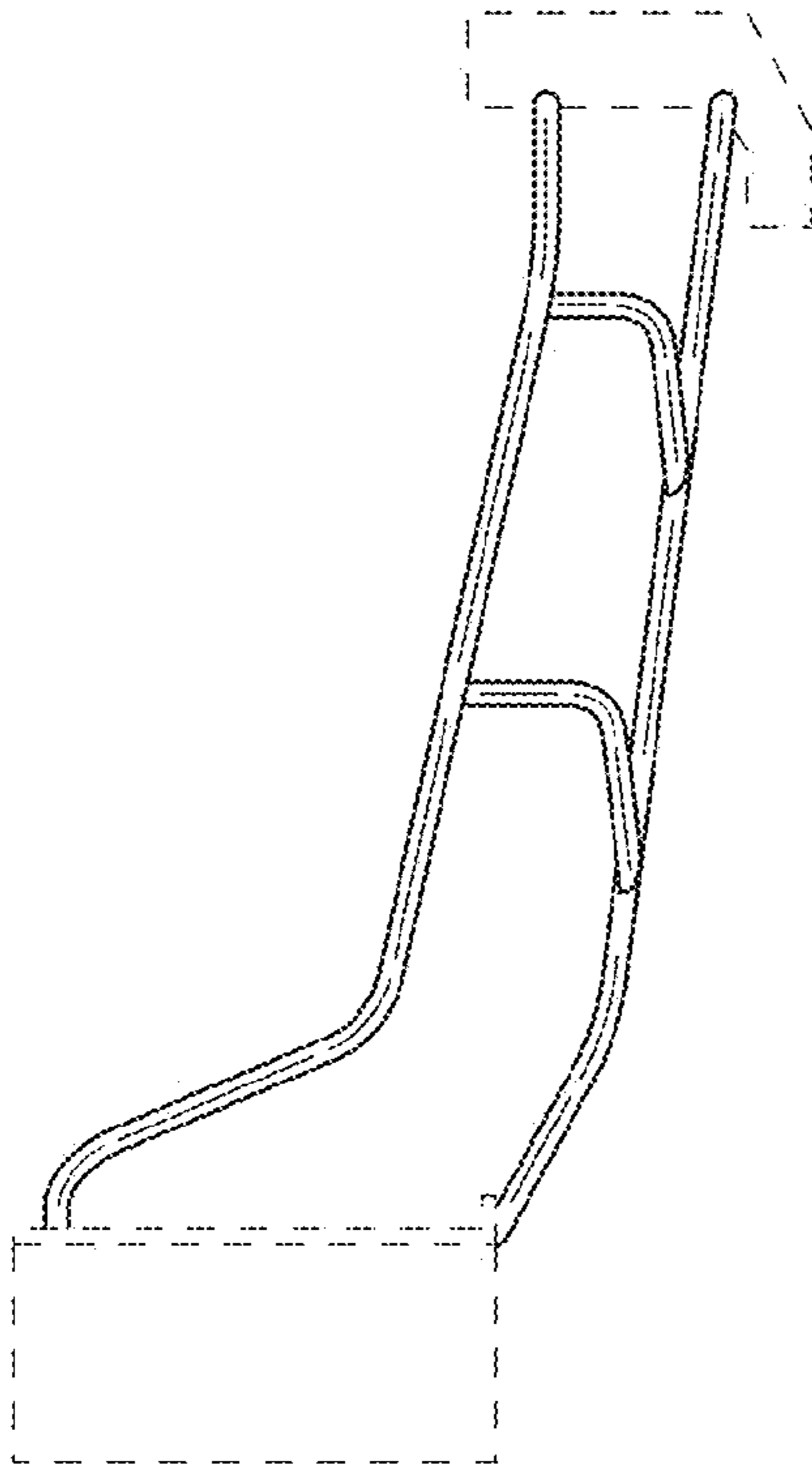


FIG. 6

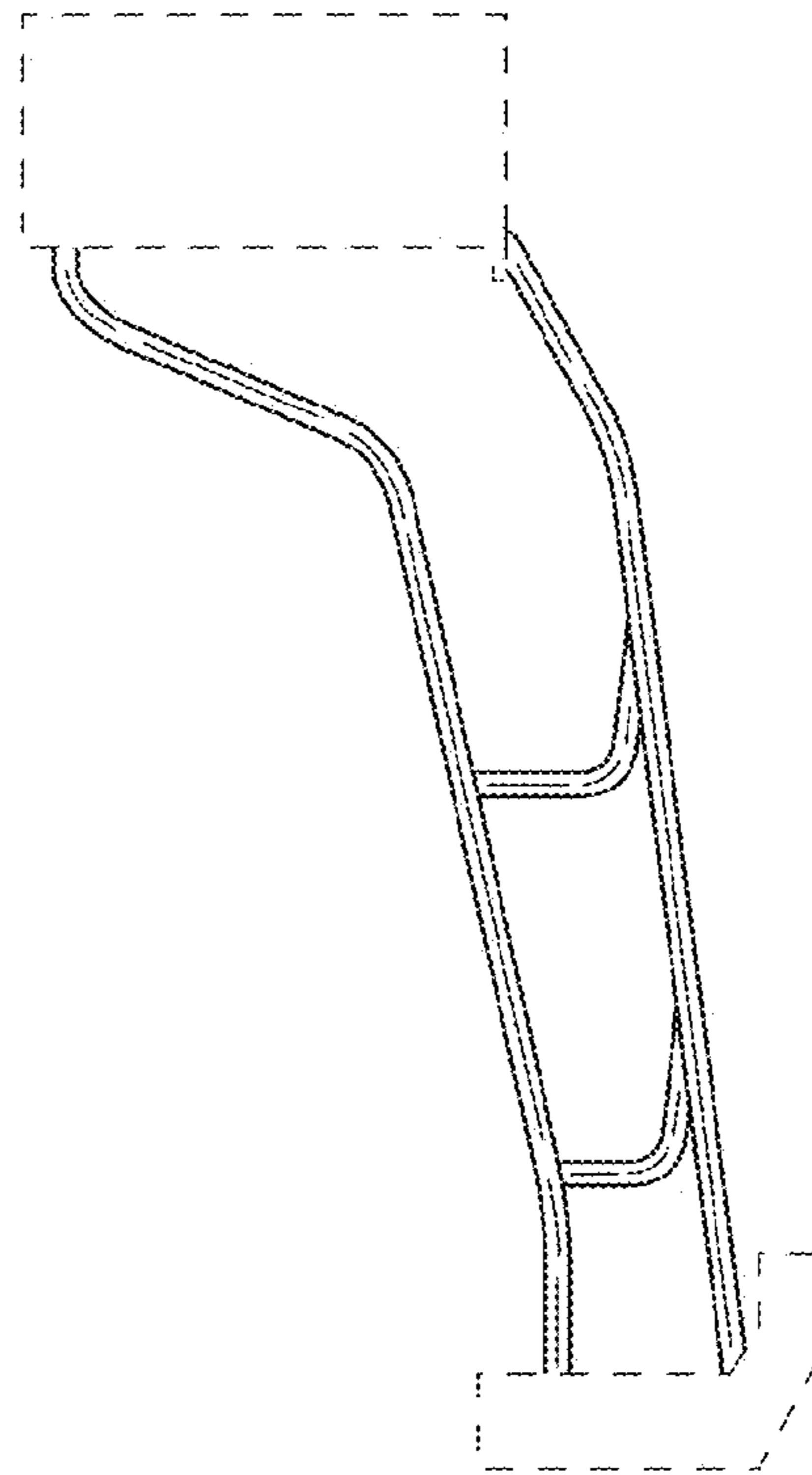


FIG. 7

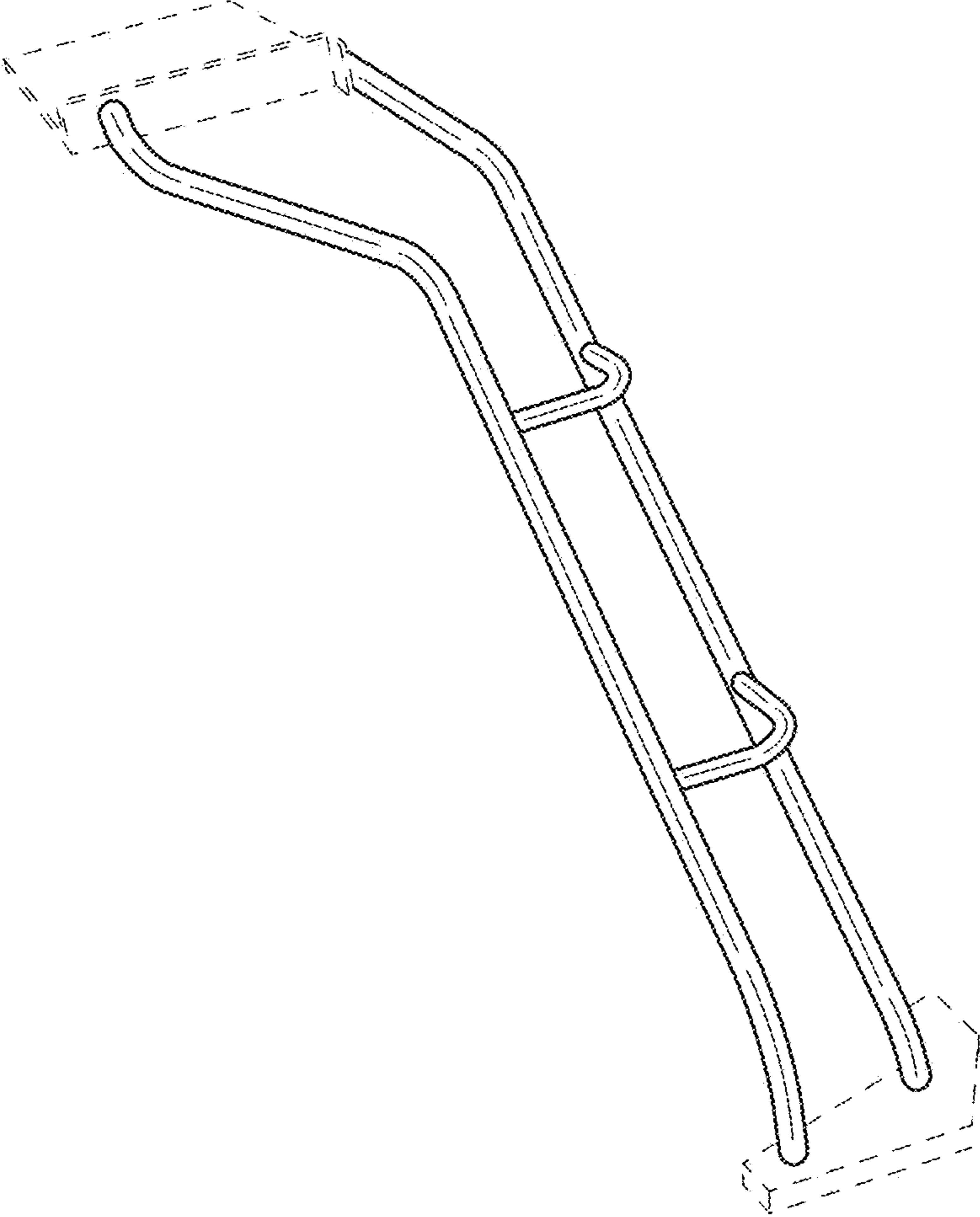


FIG.8

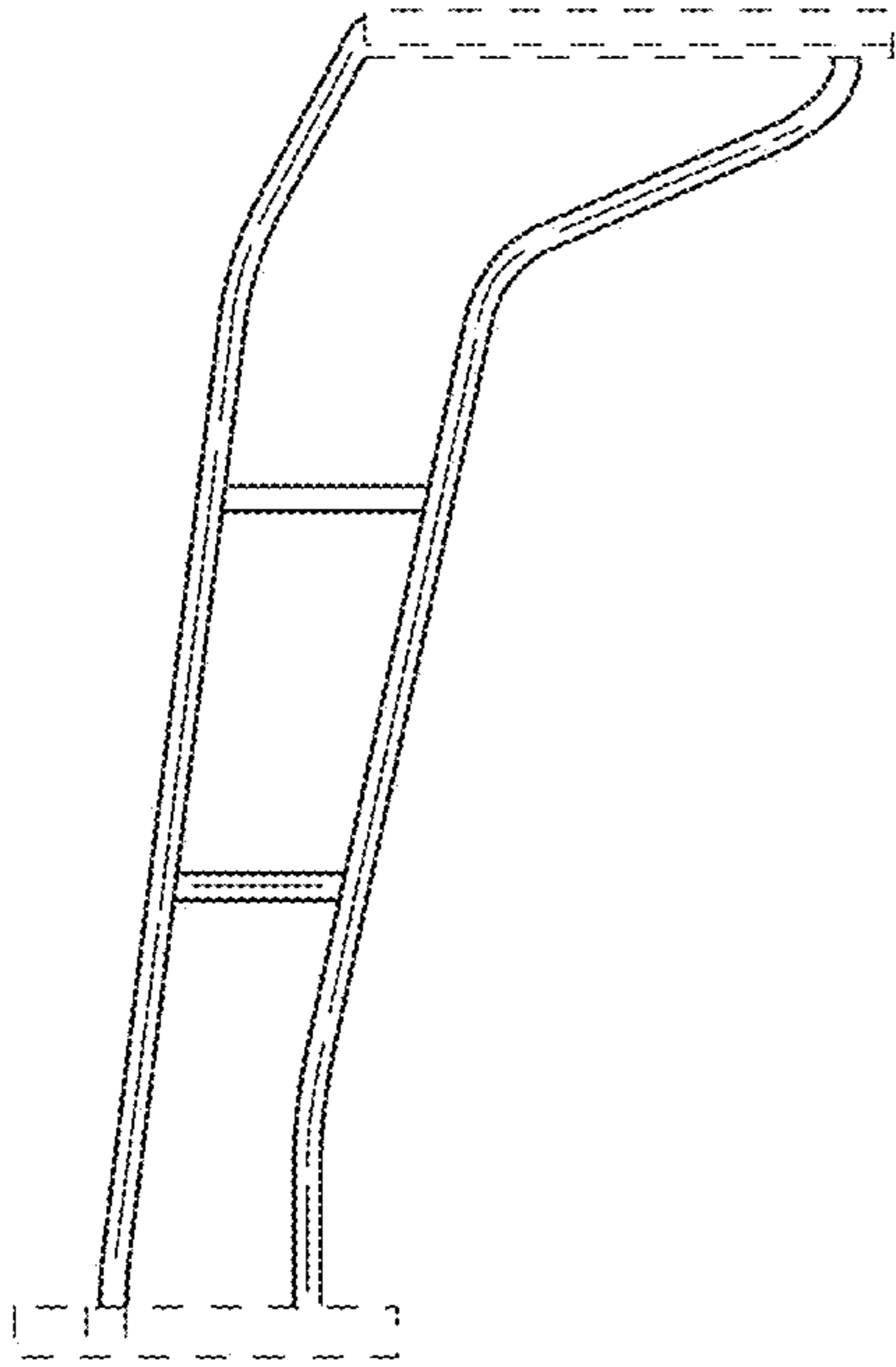


FIG. 9

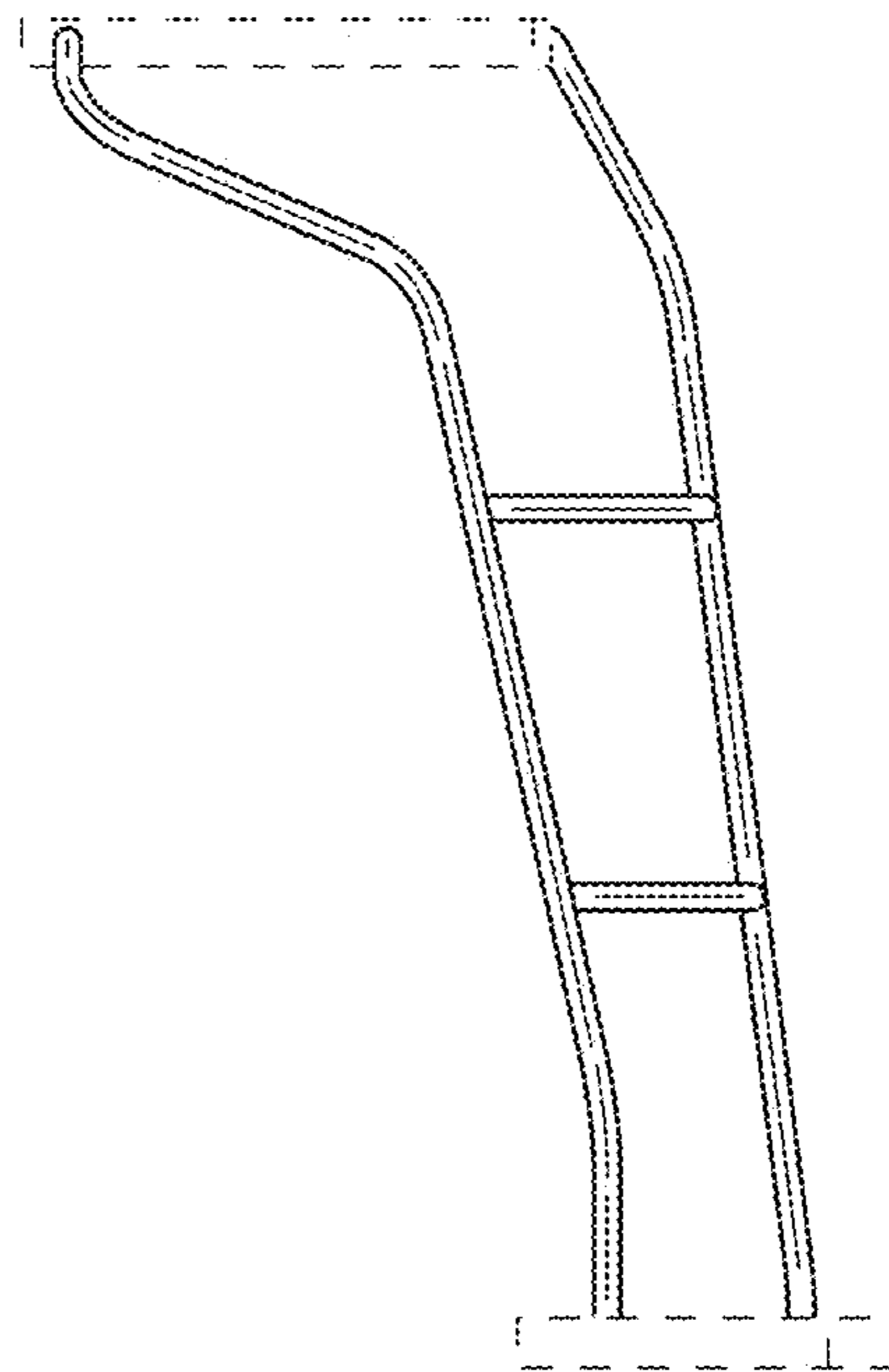


FIG. 10

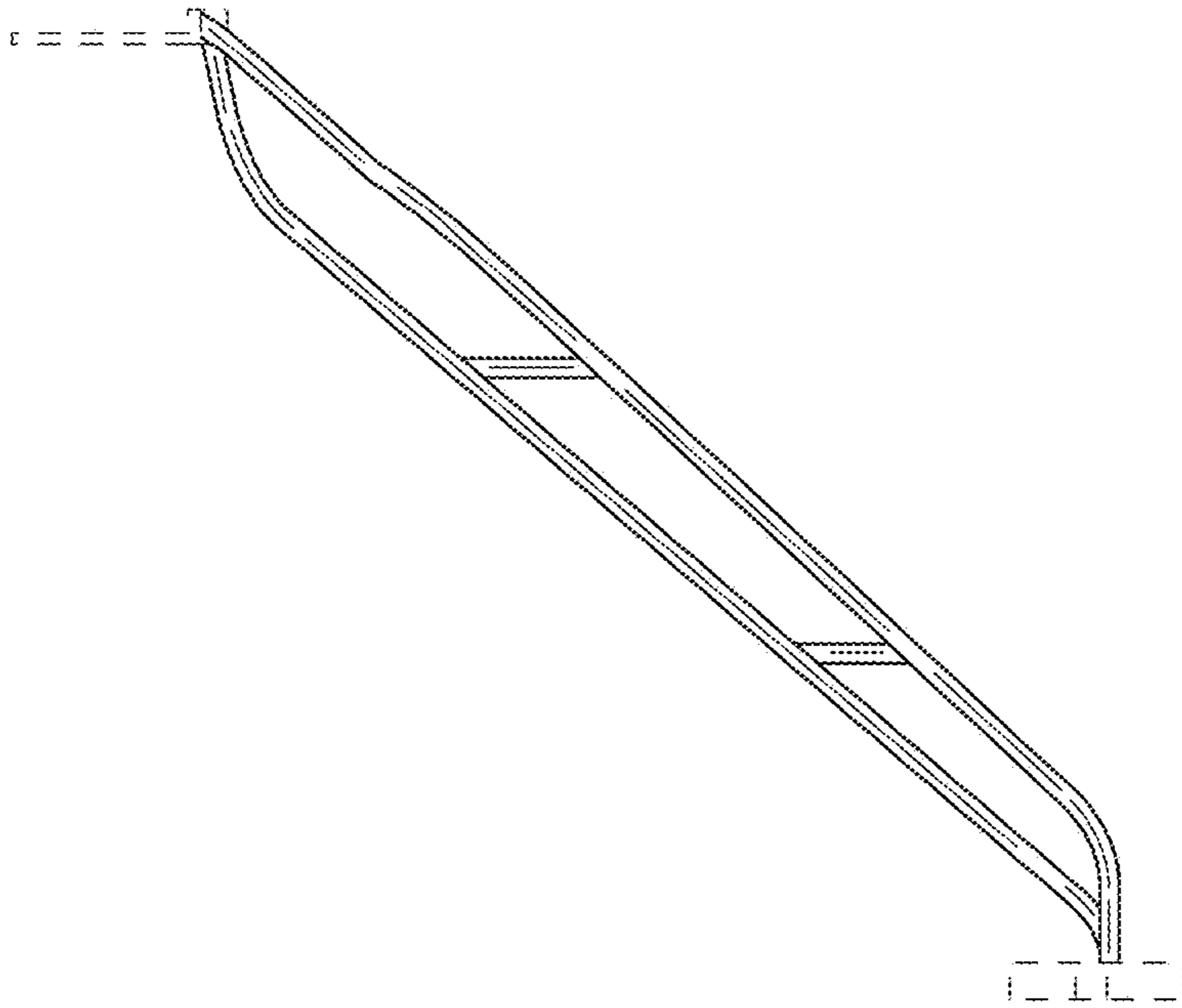


FIG. 11

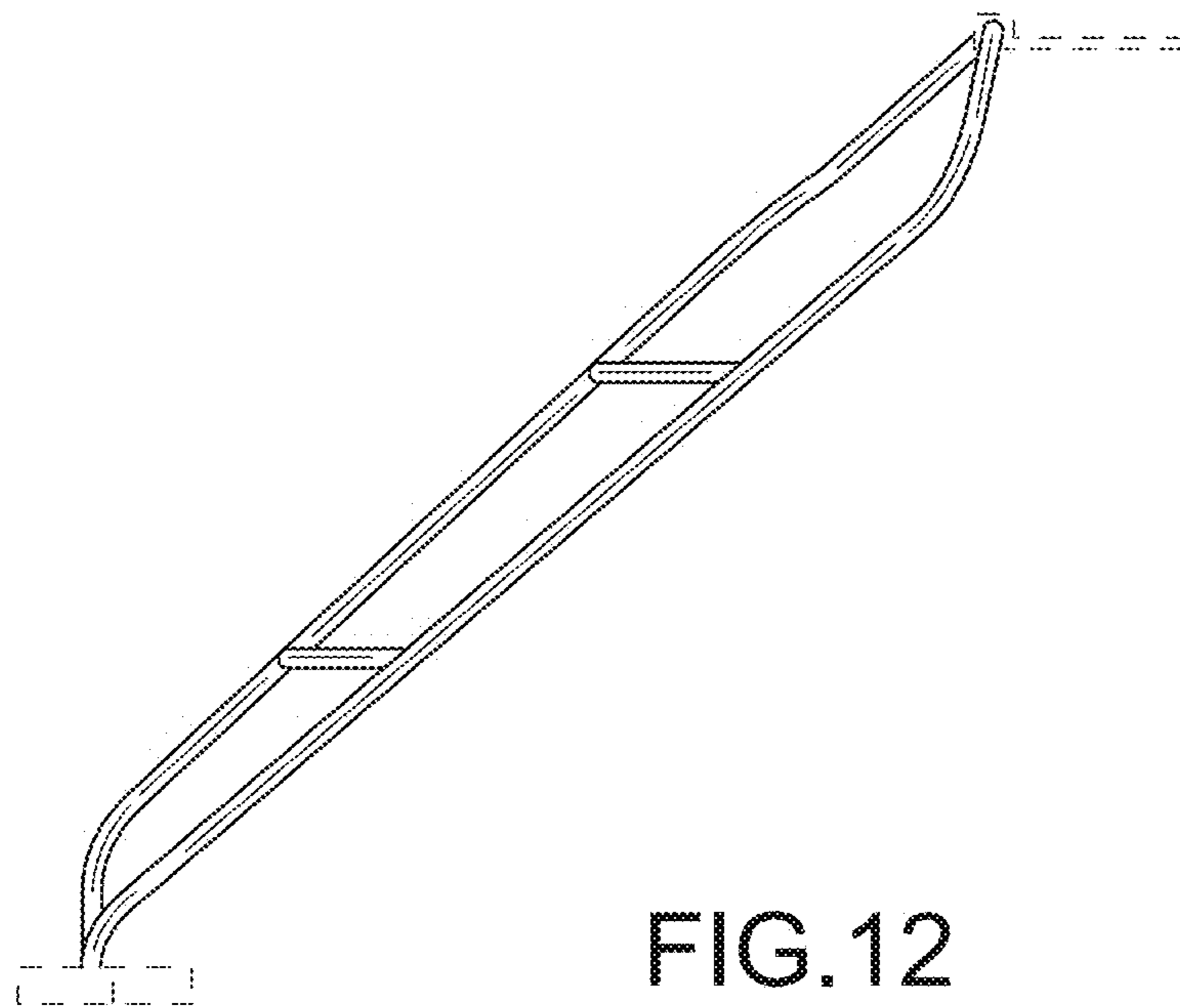


FIG. 12

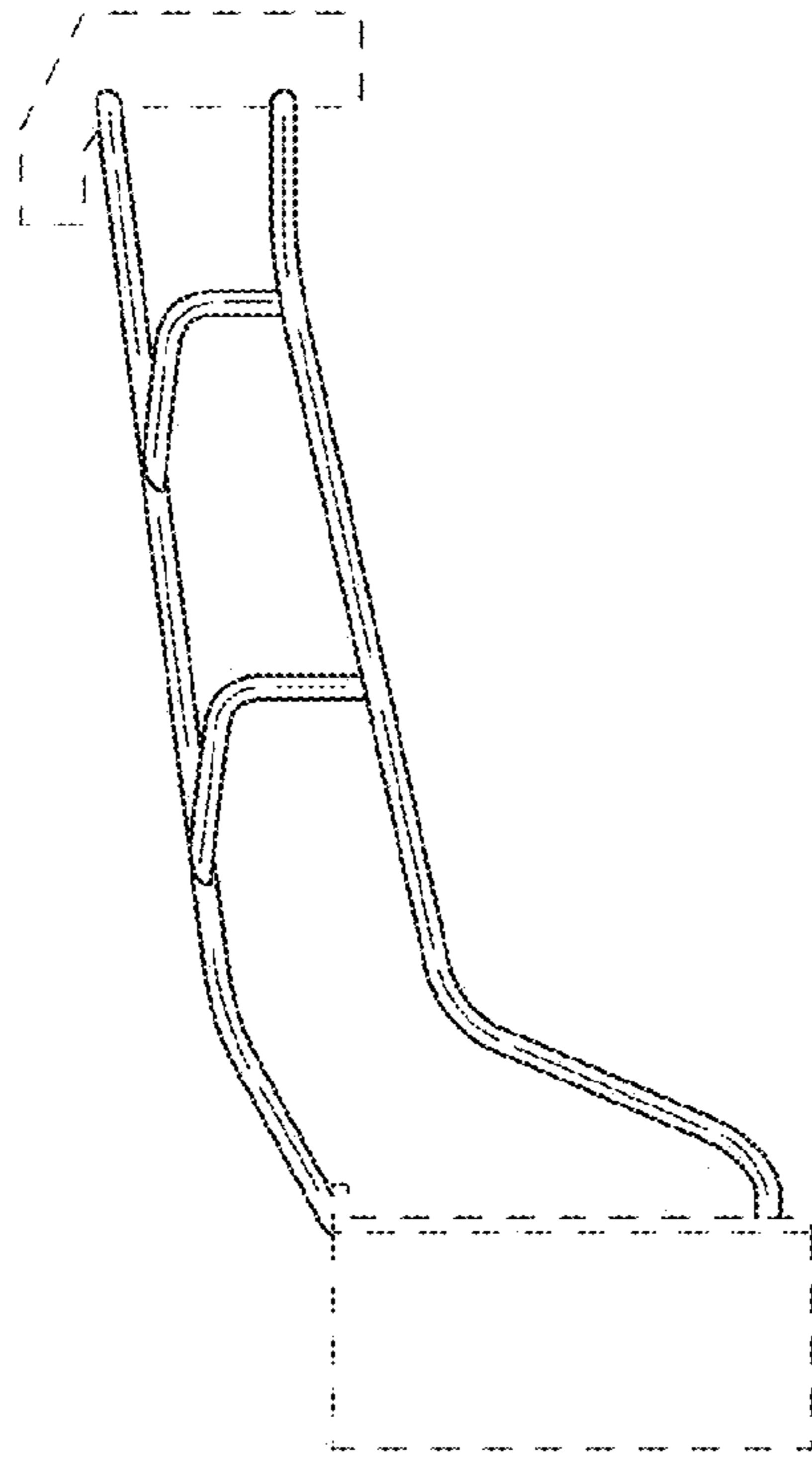


FIG. 13

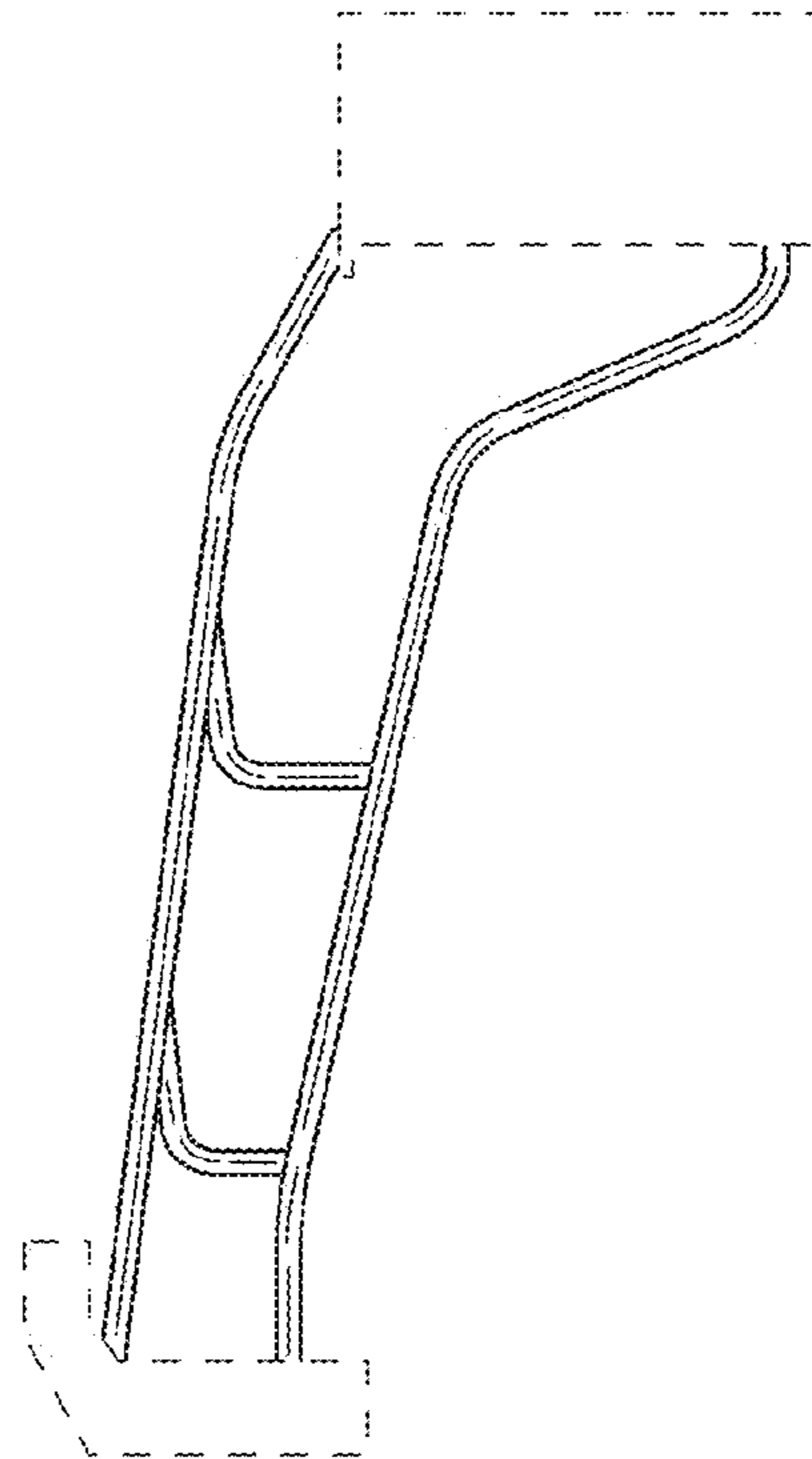


FIG. 14