



US00D759840S

(12) **United States Design Patent**
Grovender

(10) **Patent No.:** **US D759,840 S**

(45) **Date of Patent:** **** Jun. 21, 2016**

(54) **RETRACTABLE LADDER**

(71) Applicant: **Premier Marine, Inc.**, Wyoming, MN
(US)

(72) Inventor: **David Grovender**, North Branch, MN
(US)

(73) Assignee: **Premier Marine, Inc.**, Wyoming, MN
(US)

(**) Term: **15 Years**

(21) Appl. No.: **29/527,019**

(22) Filed: **May 14, 2015**

(51) **LOC (10) Cl.** **25-04**

(52) **U.S. Cl.**
USPC **D25/64**

(58) **Field of Classification Search**
USPC D25/62-69; 182/156, 152, 162, 112,
182/106, 26, 115, 129, 207, 127, 65.1, 194,
182/93, 64.1, 22, 230, 206, 228, 91
CPC B63B 27/146; B60R 3/007; B60R 3/02
See application file for complete search history.

(56) **References Cited**

U.S. PATENT DOCUMENTS

2,992,697	A *	7/1961	Klages	E06C 1/34	182/206
3,794,140	A	2/1974	Sell			
3,858,683	A *	1/1975	Rachocki	E06C 1/36	182/156
4,926,965	A	5/1990	Fox			
5,427,049	A	6/1995	Markikian			
D442,289	S *	5/2001	Ziaylek, Jr.	D25/64	
6,422,340	B1 *	7/2002	Grundler	B63B 27/146	182/209
D479,884	S *	9/2003	Berryman	D25/64	
D498,542	S *	11/2004	Brushaber	D25/64	
6,904,863	B2	6/2005	Markidian et al.			

D549,838	S *	8/2007	Badillo	D25/64	
D723,715	S *	3/2015	Lafontaine	D25/64	
2005/0211502	A1 *	9/2005	LaBrash	E06C 5/04	182/127
2011/0315478	A1 *	12/2011	Foster, Sr.	E06C 1/10	182/129

FOREIGN PATENT DOCUMENTS

JP 3153564 4/2001

OTHER PUBLICATIONS

“Dive Ladders” Diving Equipment specialties (online). Jun. 1, 2003, Retrieved on Jun. 23, 2015. Retrieved from the Internet <<https://web.archive.org/web/20030601092530/http://www.techdivetools.com/boat/ladders.html>>, figure 1, p. 3; p. 2, second paragraph.

* cited by examiner

Primary Examiner — Cynthia Ramirez

Assistant Examiner — Gino Colan

(74) *Attorney, Agent, or Firm* — Winthrop & Weinstine, P.A.

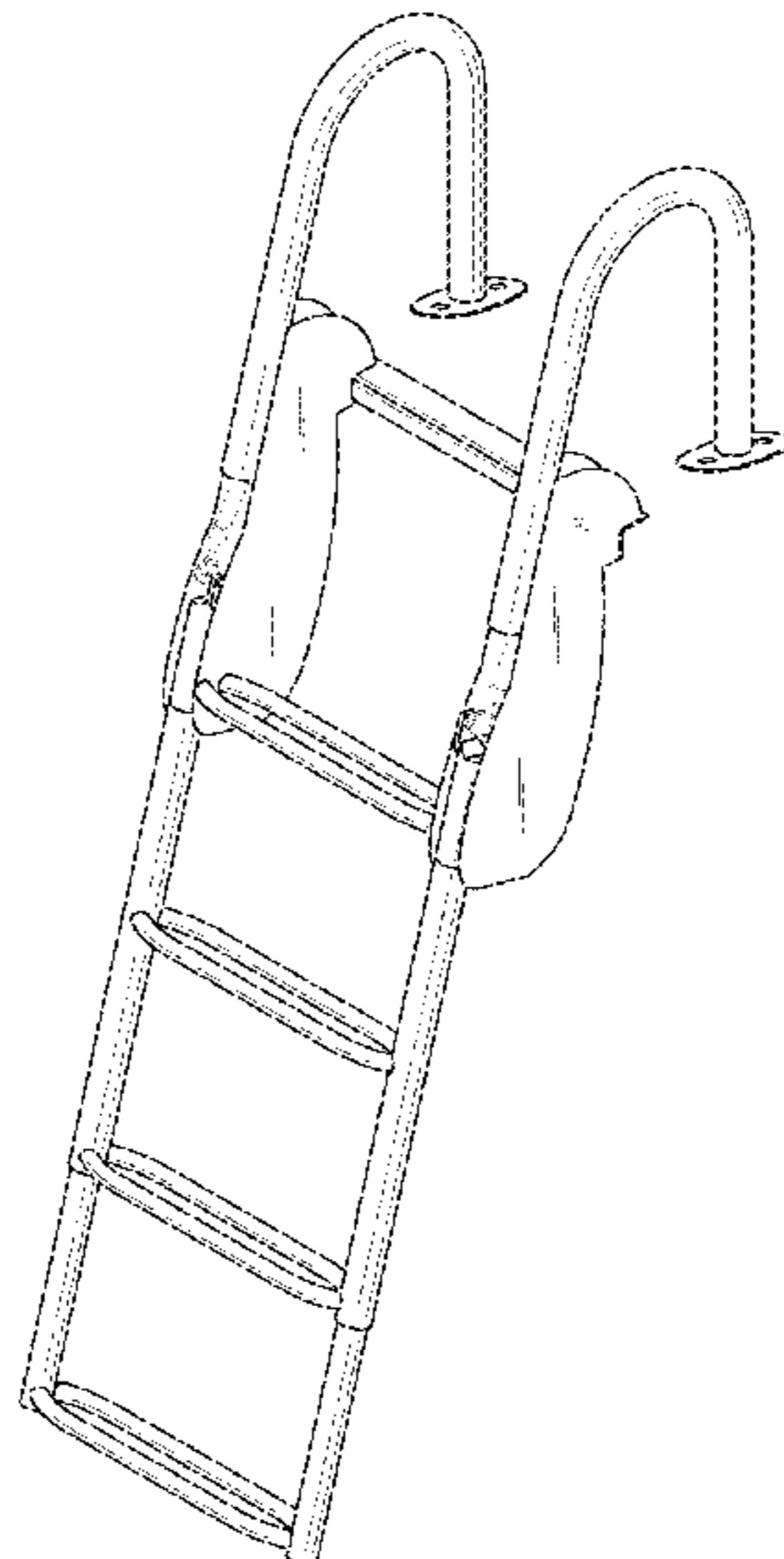
(57) **CLAIM**

The ornamental design for a retractable ladder, as shown and described.

DESCRIPTION

FIG. 1 is a perspective view of a retractable ladder showing my new design;
FIG. 2 is a front elevational view thereof;
FIG. 3 is a back elevational view thereof;
FIG. 4 is a right elevational view thereof, the left elevational view being a mirror image of FIG. 4;
FIG. 5 is a top plan view thereof; and,
FIG. 6 is a bottom plan view thereof.
The broken lines in the drawings are included for the purpose of illustrating portions of the retractable ladder and form no part of the claimed design.

1 Claim, 5 Drawing Sheets



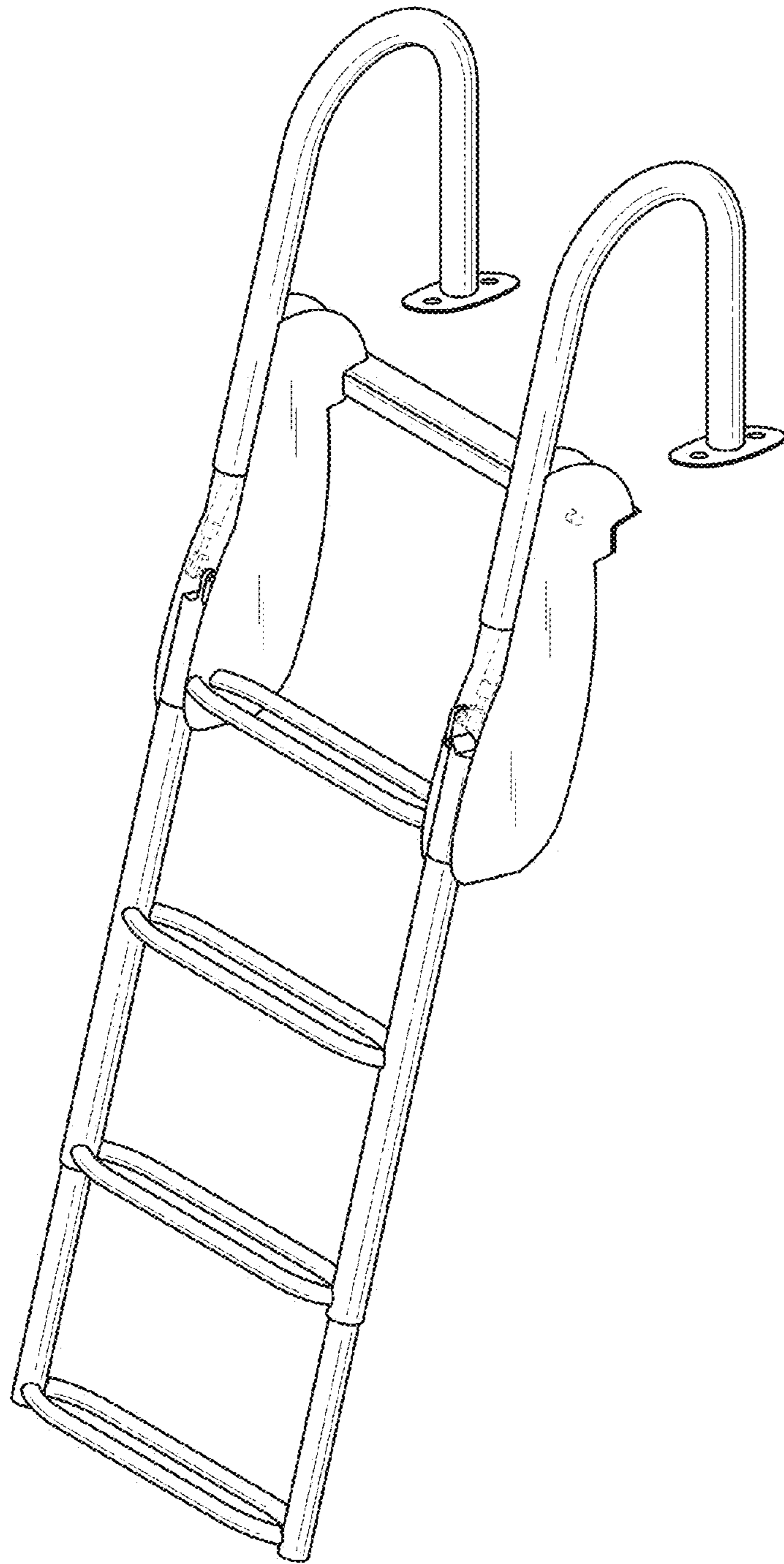


Fig. 1

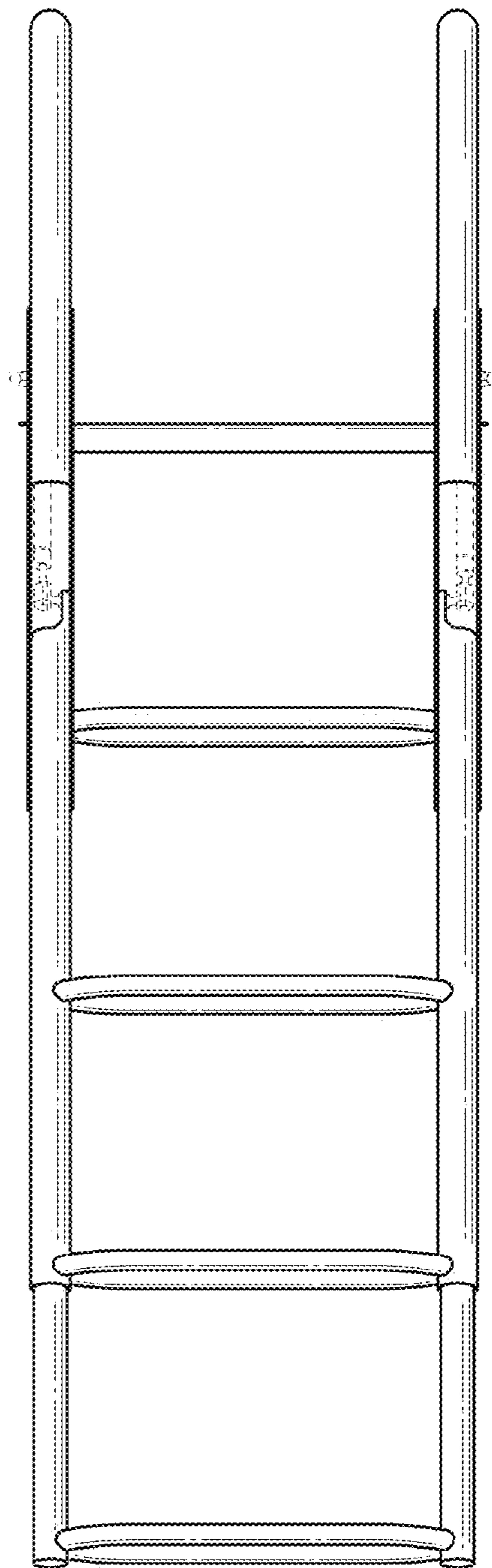


Fig. 2

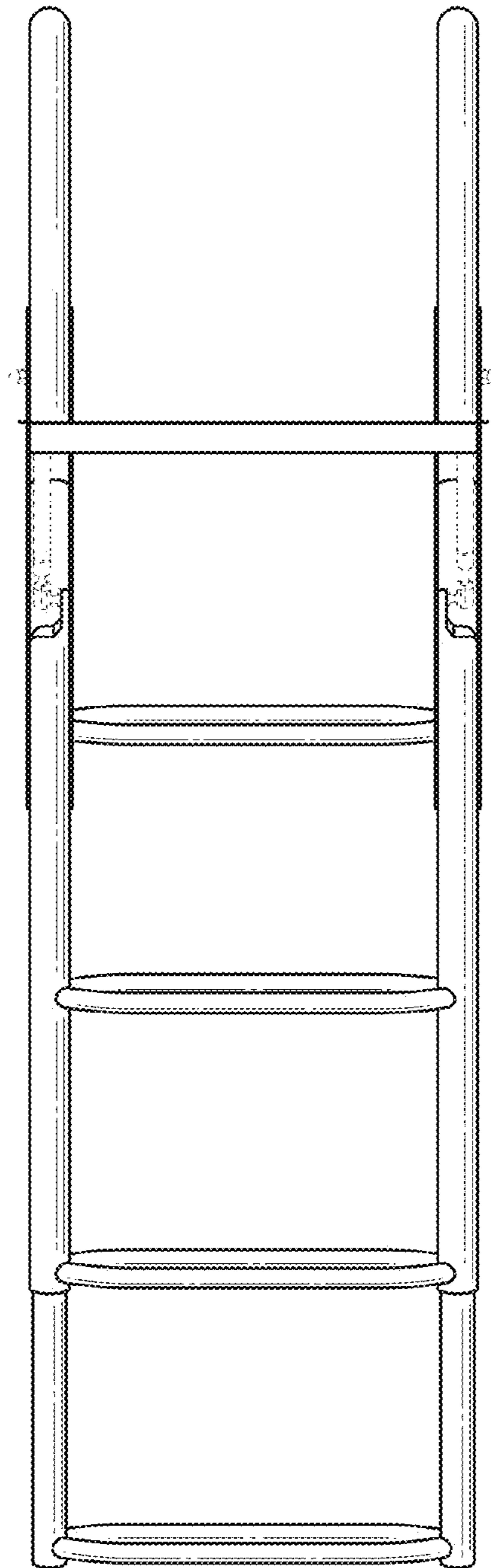


Fig. 3

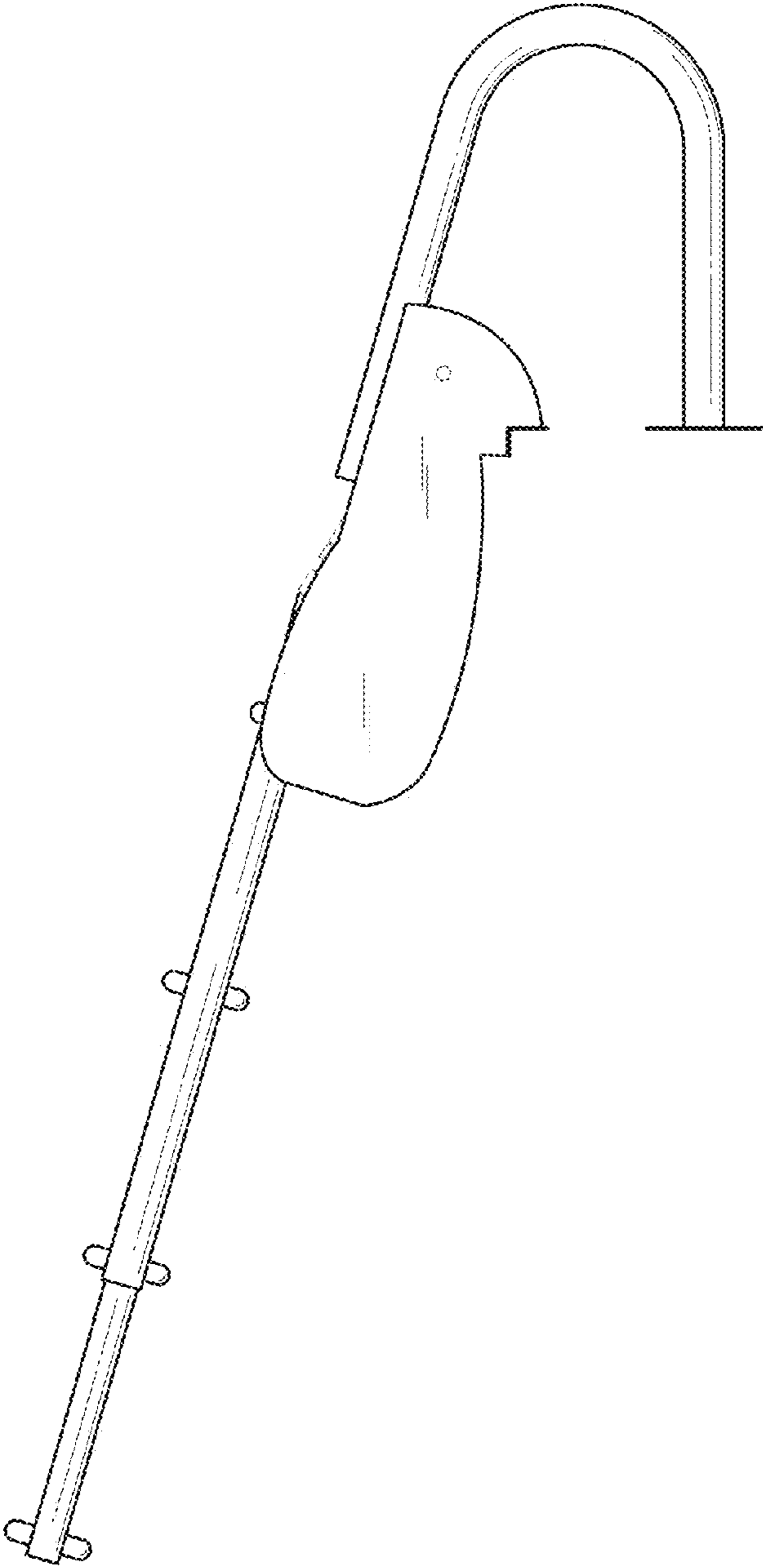


Fig. 4

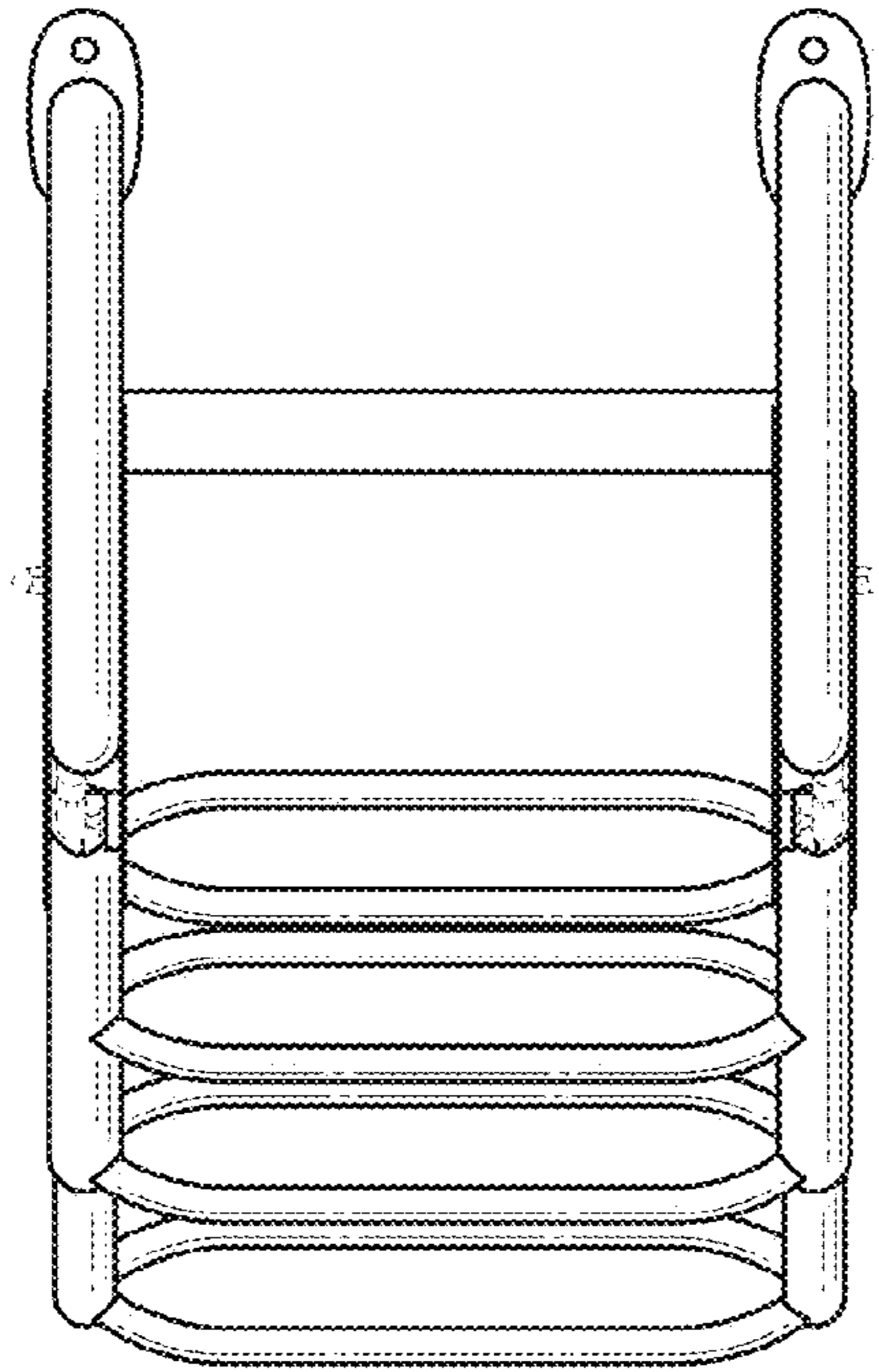


Fig. 5

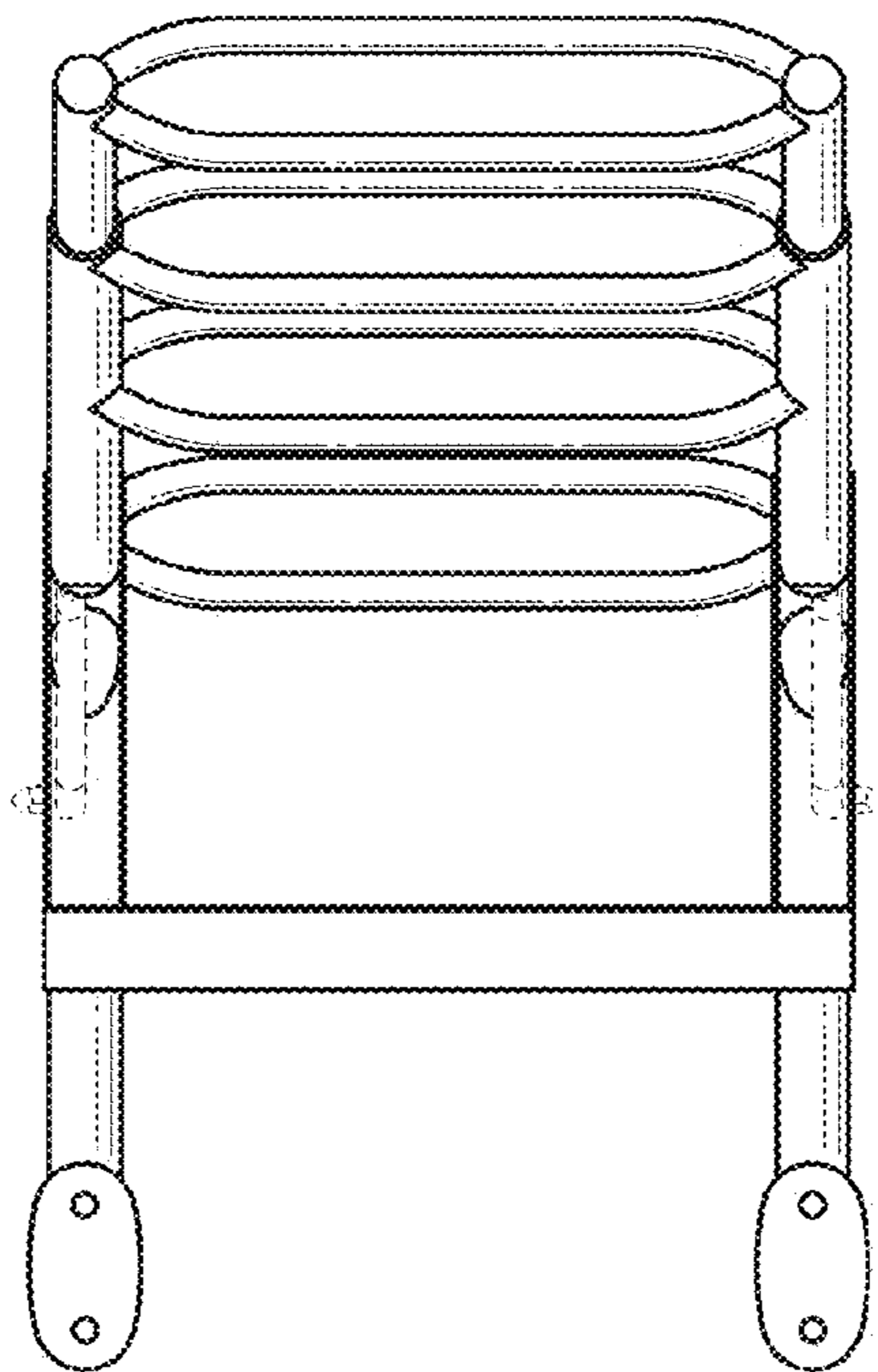


Fig. 6