



US00D759839S

(12) **United States Design Patent**
Hagood et al.

(10) **Patent No.:** **US D759,839 S**
(45) **Date of Patent:** **** Jun. 21, 2016**

(54) **MEDICAL HEADLAMP**

(71) Applicants: **Mark L. Hagood**, Huntsville, AL (US);
Clinton R. Blasingame, Huntsville, AL (US)

(72) Inventors: **Mark L. Hagood**, Huntsville, AL (US);
Clinton R. Blasingame, Huntsville, AL (US)

(**) Term: **14 Years**

(21) Appl. No.: **29/500,613**

(22) Filed: **Aug. 27, 2014**

(51) **LOC (10) Cl.** **24-00**

(52) **U.S. Cl.**
USPC **D24/231**

(58) **Field of Classification Search**
USPC D24/231; 128/201.25; D26/39, 113;
D16/135, 300, 309; D14/205
See application file for complete search history.

(56) **References Cited**

U.S. PATENT DOCUMENTS

4,643,182	A	*	2/1987	Klein	128/201.25
D398,403	S	*	9/1998	Bishop et al.	D24/231
D441,111	S	*	4/2001	Van Der Bel	D26/39
D441,886	S	*	5/2001	Beck	D26/39
D458,287	S	*	6/2002	Huang	D16/135
D483,779	S	*	12/2003	Huang	D16/135
D513,032	S	*	12/2005	Diamantidis	D16/300
D521,493	S	*	5/2006	Wai	D14/205
D531,335	S	*	10/2006	Garrity	D26/39
D533,954	S	*	12/2006	Opolka	D26/39
D571,942	S	*	6/2008	Christianson	D26/39
D583,850	S	*	12/2008	Jabali	D16/309
D583,971	S	*	12/2008	Castellucci et al.	D26/39
D608,479	S	*	1/2010	Heine et al.	D26/39
D620,160	S	*	7/2010	Kang et al.	D26/39

D623,783	S	*	9/2010	Christianson et al.	D26/39
D624,221	S	*	9/2010	DeBrunner	D26/39
D625,863	S	*	10/2010	Kingston et al.	D26/39
D674,944	S	*	1/2013	Bertken	D26/39
D680,250	S	*	4/2013	Opolka	D26/39
D695,947	S	*	12/2013	Jun	D26/113
D696,803	S	*	12/2013	Kingston et al.	D26/39
D699,875	S	*	2/2014	Christianson et al.	D26/39
D706,474	S	*	6/2014	Ferguson	D26/39
D707,867	S	*	6/2014	Kotsis et al.	D26/39

* cited by examiner

Primary Examiner — Holly Baynham

Assistant Examiner — Rhea Shields

(74) *Attorney, Agent, or Firm* — Jeremy A. Smith; Bradley Arant Boult Cummings LLP

(57) **CLAIM**

The ornamental design for a medical headlamp, as shown and described.

DESCRIPTION

FIG. 1 is a front left side perspective view of the medical headlamp; showing our new design.

FIG. 2 is a front right side perspective view thereof.

FIG. 3 is a top plan view thereof.

FIG. 4 is a left side view thereof.

FIG. 5 is a right side view thereof.

FIG. 6 is a left side view thereof; wherein the lamp is shown in the upper position.

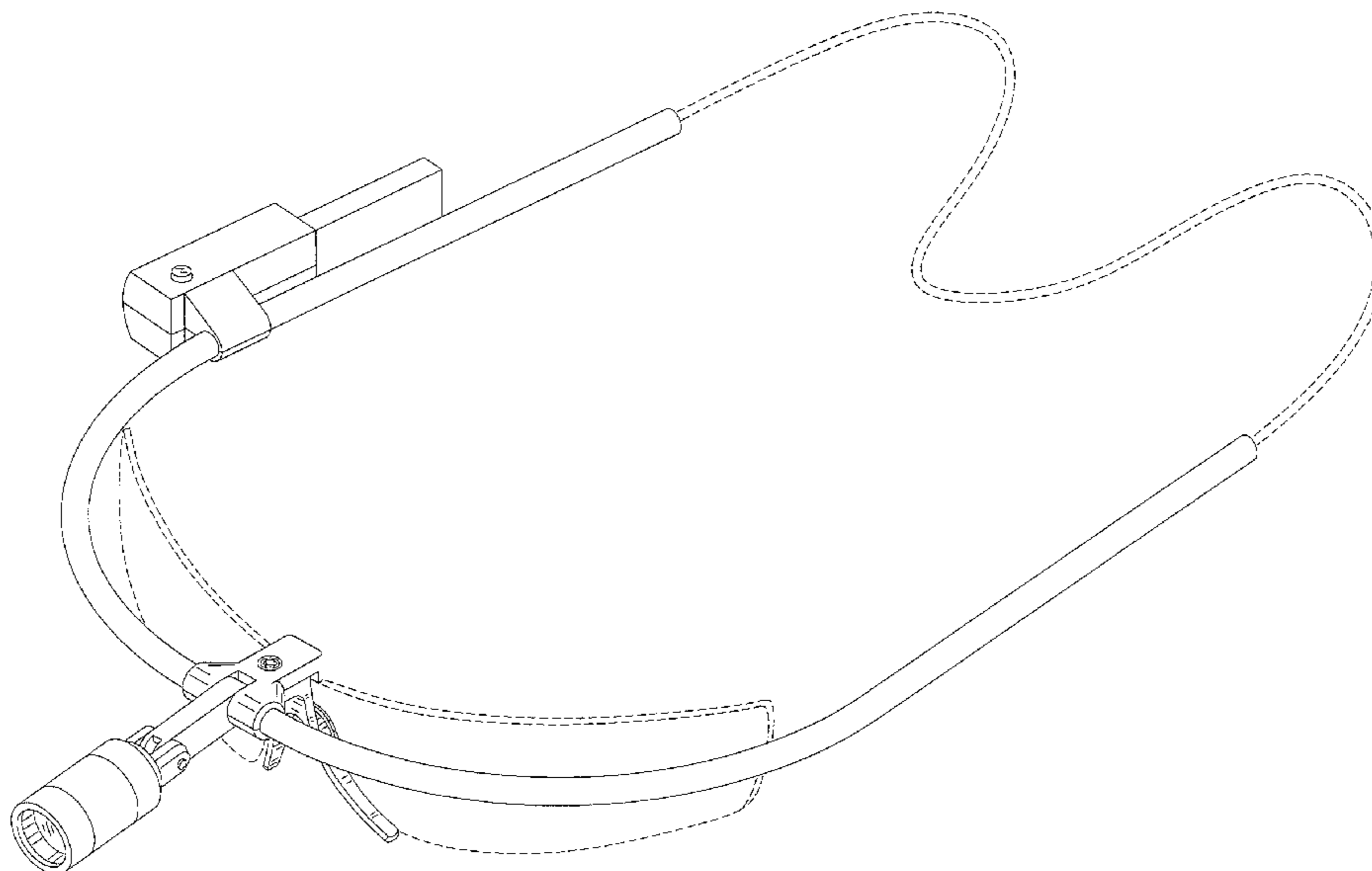
FIG. 7 is a left side view thereof; wherein the lamp is shown in the lower position.

FIG. 8 is a rear view of FIG. 1; and,

FIG. 9 is a sectional view thereof.

In the drawings, the broken lines are for the purposes of illustrating environment only and form no part of the claimed design.

1 Claim, 6 Drawing Sheets



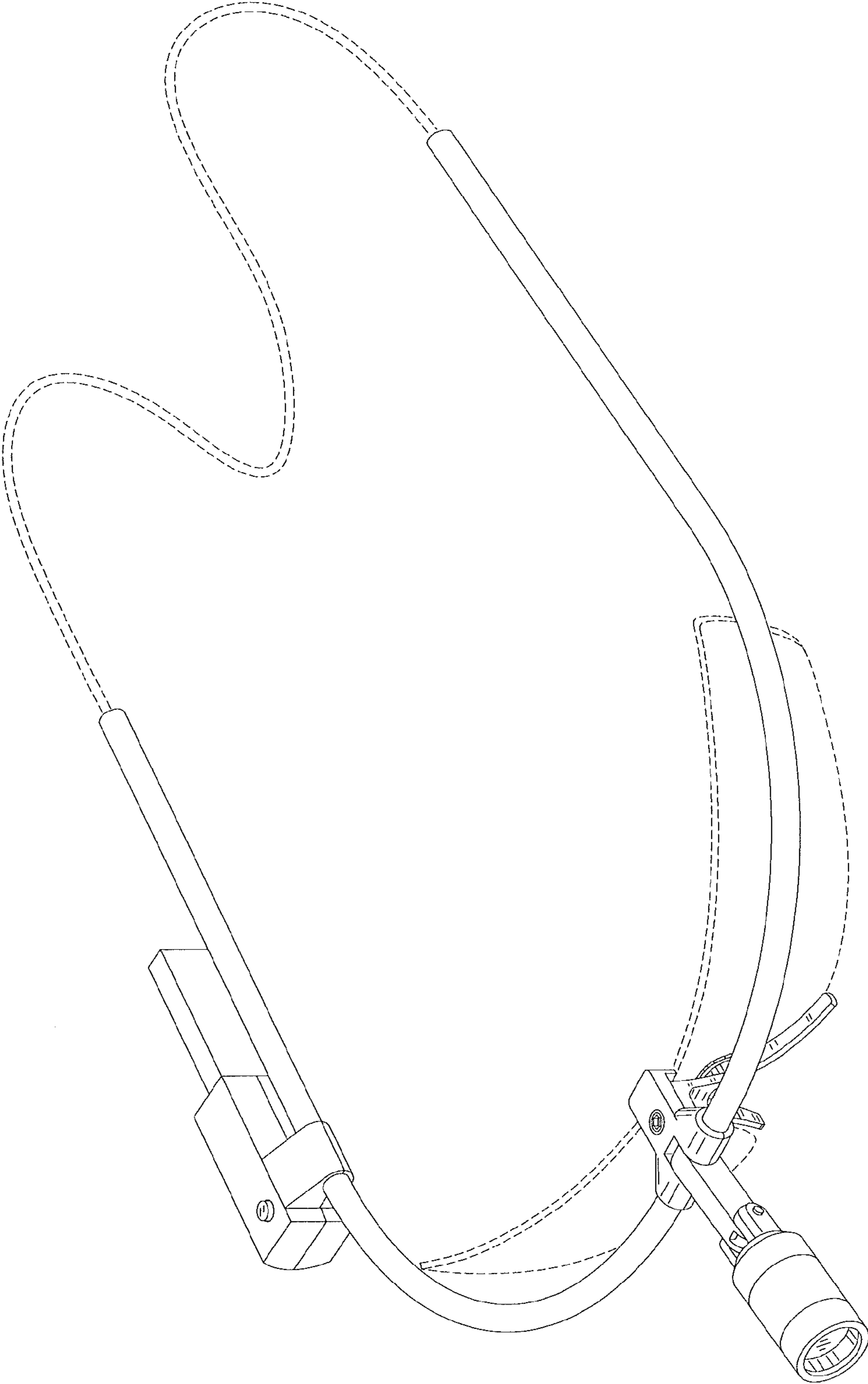


FIG. 1

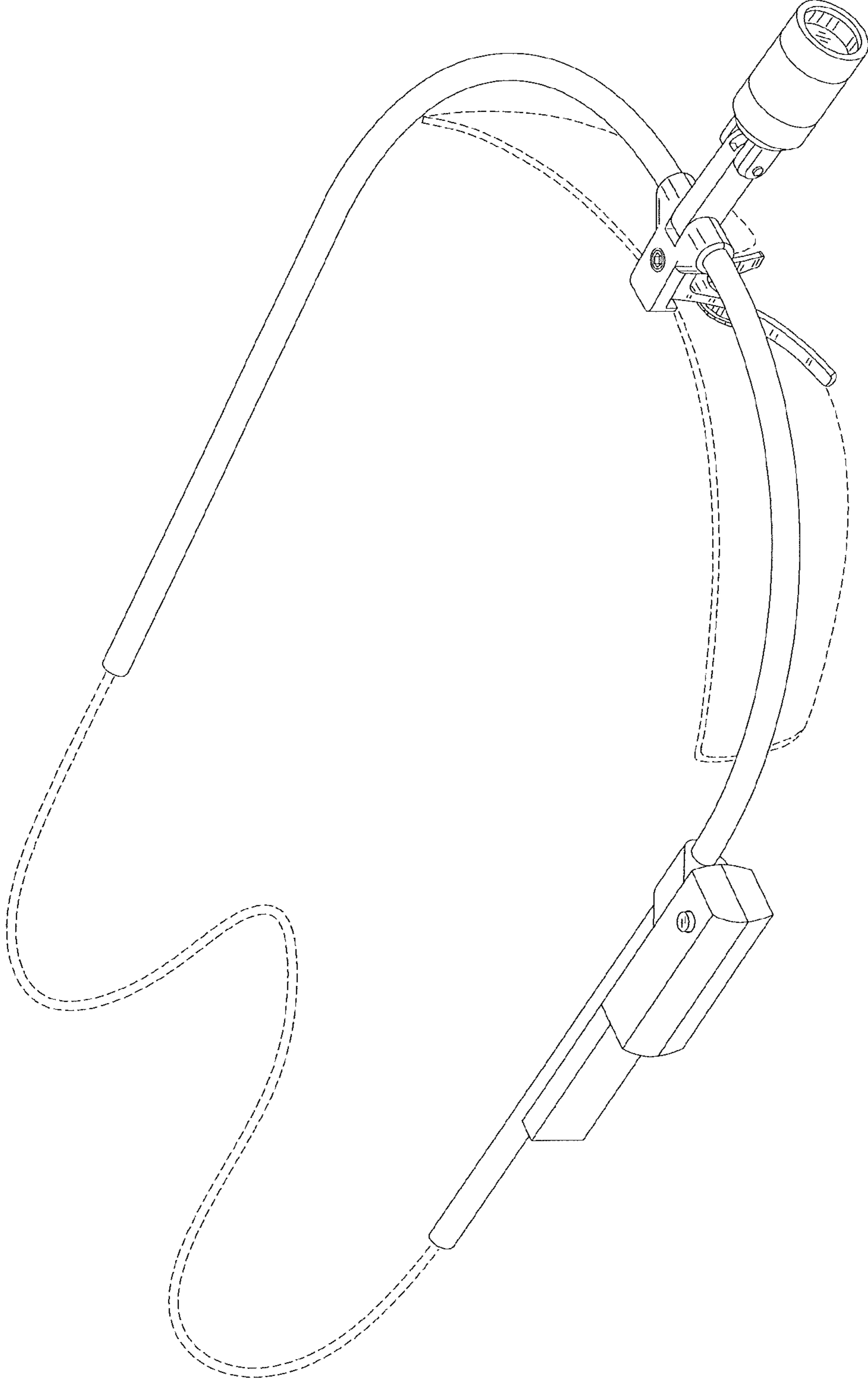


FIG. 2

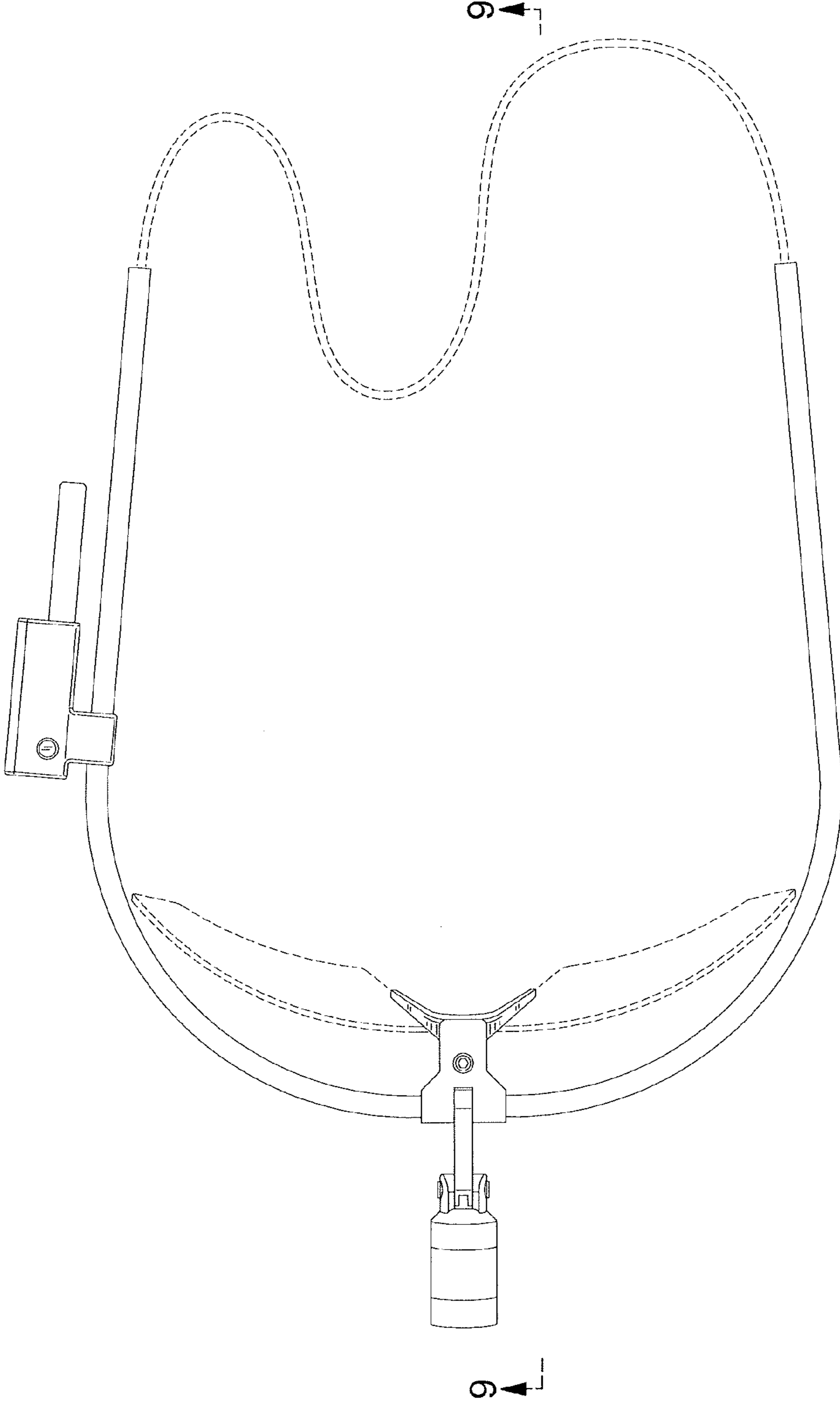


FIG. 3

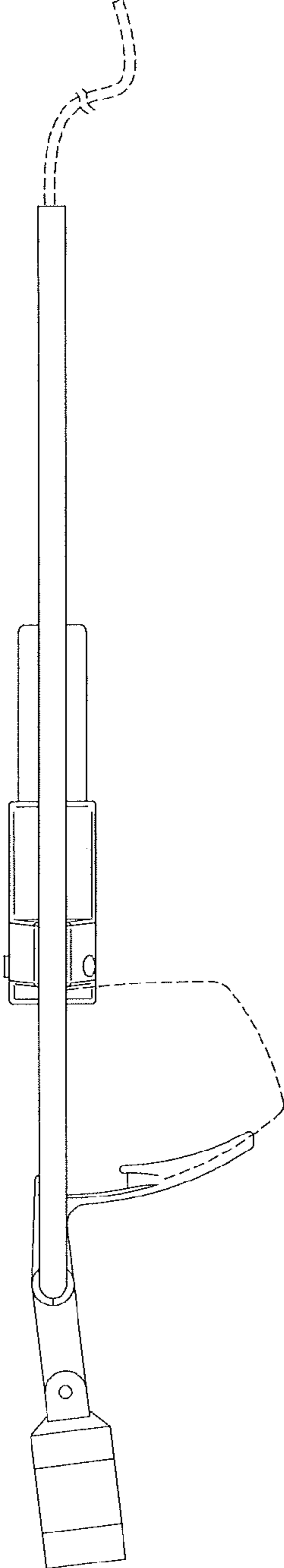


FIG. 4

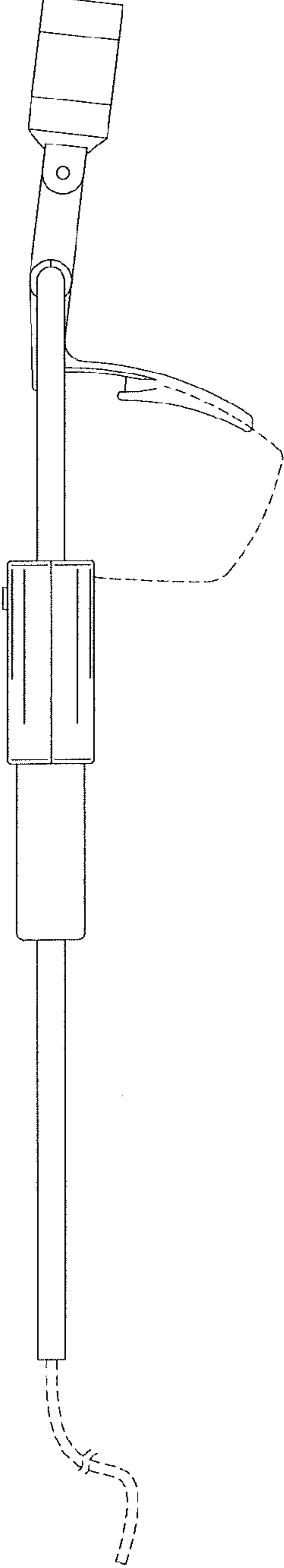


FIG. 5

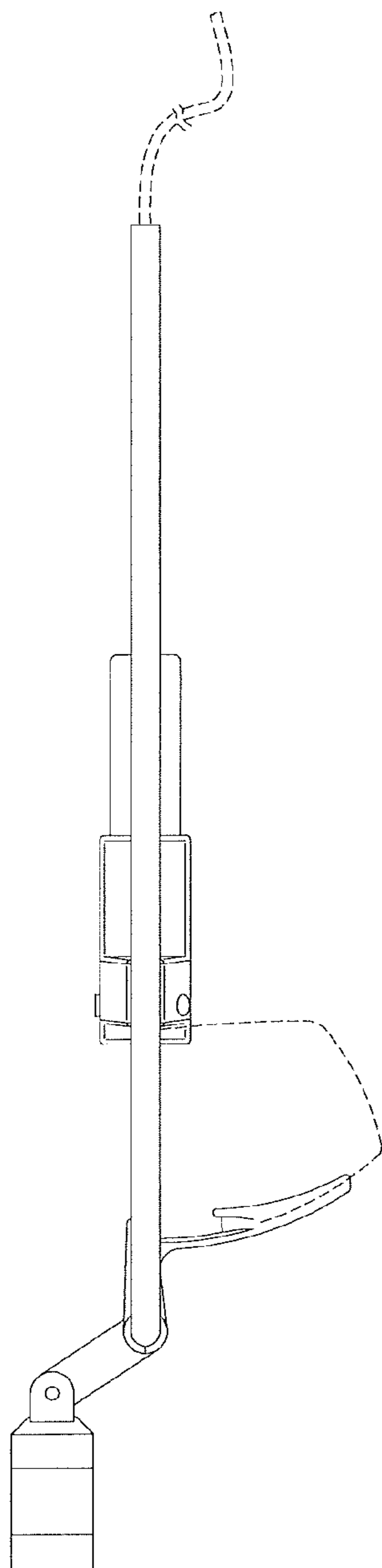


FIG. 6

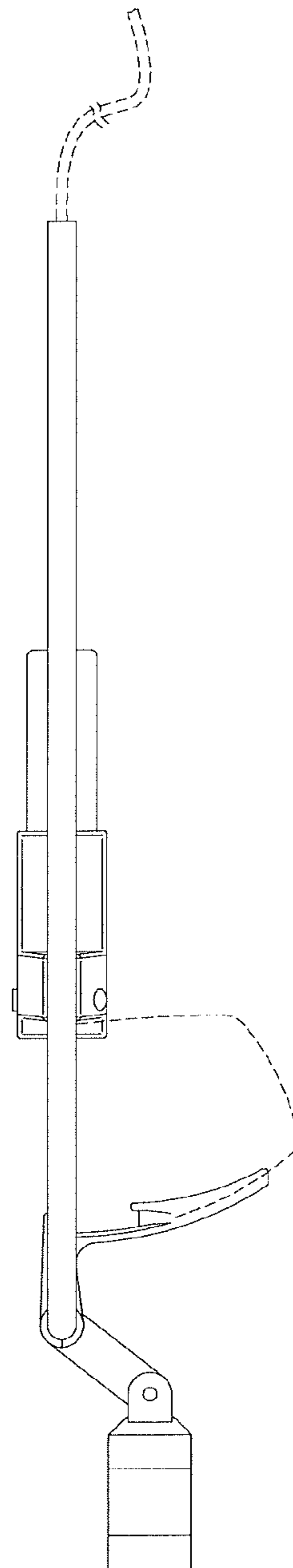


FIG. 7

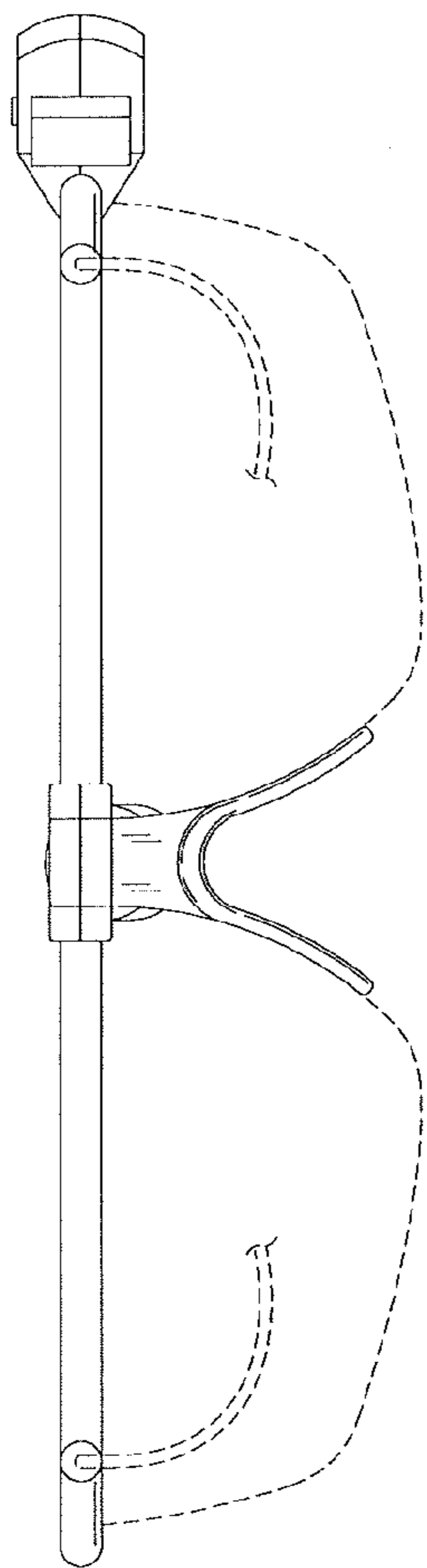


FIG. 8

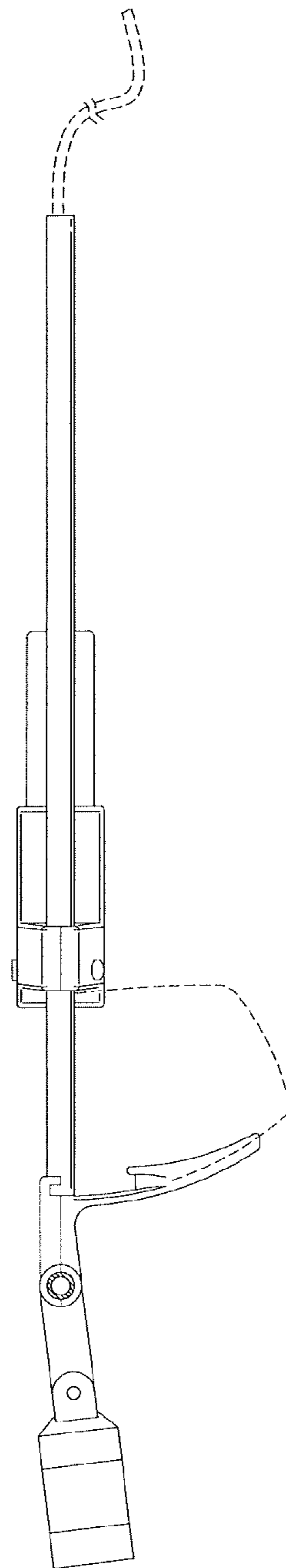


FIG. 9