



US00D759838S

(12) **United States Design Patent**  
**Marmier**

(10) **Patent No.:** **US D759,838 S**  
(45) **Date of Patent:** **\*\* Jun. 21, 2016**

(54) **MEASURING INSTRUMENT**

(71) Applicant: **Mettler-Toledo AG**, Greifensee (CH)

(72) Inventor: **Yves Marmier**, La-Chaux-de-Fonds (CH)

(73) Assignee: **METTLER-TOLEDO GMBH**, Greifensee (CH)

(\*\*) Term: **14 Years**

(21) Appl. No.: **29/502,540**

(22) Filed: **Sep. 17, 2014**

(30) **Foreign Application Priority Data**

Mar. 20, 2014 (EM) ..... 002429134

(51) **LOC (10) CL.** ..... **24-02**

(52) **U.S. CL.**  
USPC ..... **D24/227**

(58) **Field of Classification Search**  
USPC ..... D10/46; D24/224, 226, 227-230  
CPC ..... B01F 11/0005; B01F 11/0008; B01F 11/0071; B01F 11/0074; B01L 3/502; B01L 3/5021; B01L 3/5025; B01L 3/5085; B01L 3/50855; B01L 3/50857

See application file for complete search history.

(56) **References Cited**

U.S. PATENT DOCUMENTS

8,647,593 B2 \* 2/2014 Yin ..... B01L 9/523 211/126.1  
D730,537 S \* 5/2015 Burroughs ..... D24/226  
D732,186 S \* 6/2015 Burroughs ..... D24/226  
D742,028 S \* 10/2015 Hutchison ..... D24/227  
9,199,237 B2 \* 12/2015 Baumgartner ..... G01N 35/04

\* cited by examiner

*Primary Examiner* — Antoine D Davis

(74) *Attorney, Agent, or Firm* — Standley Law Group LLP

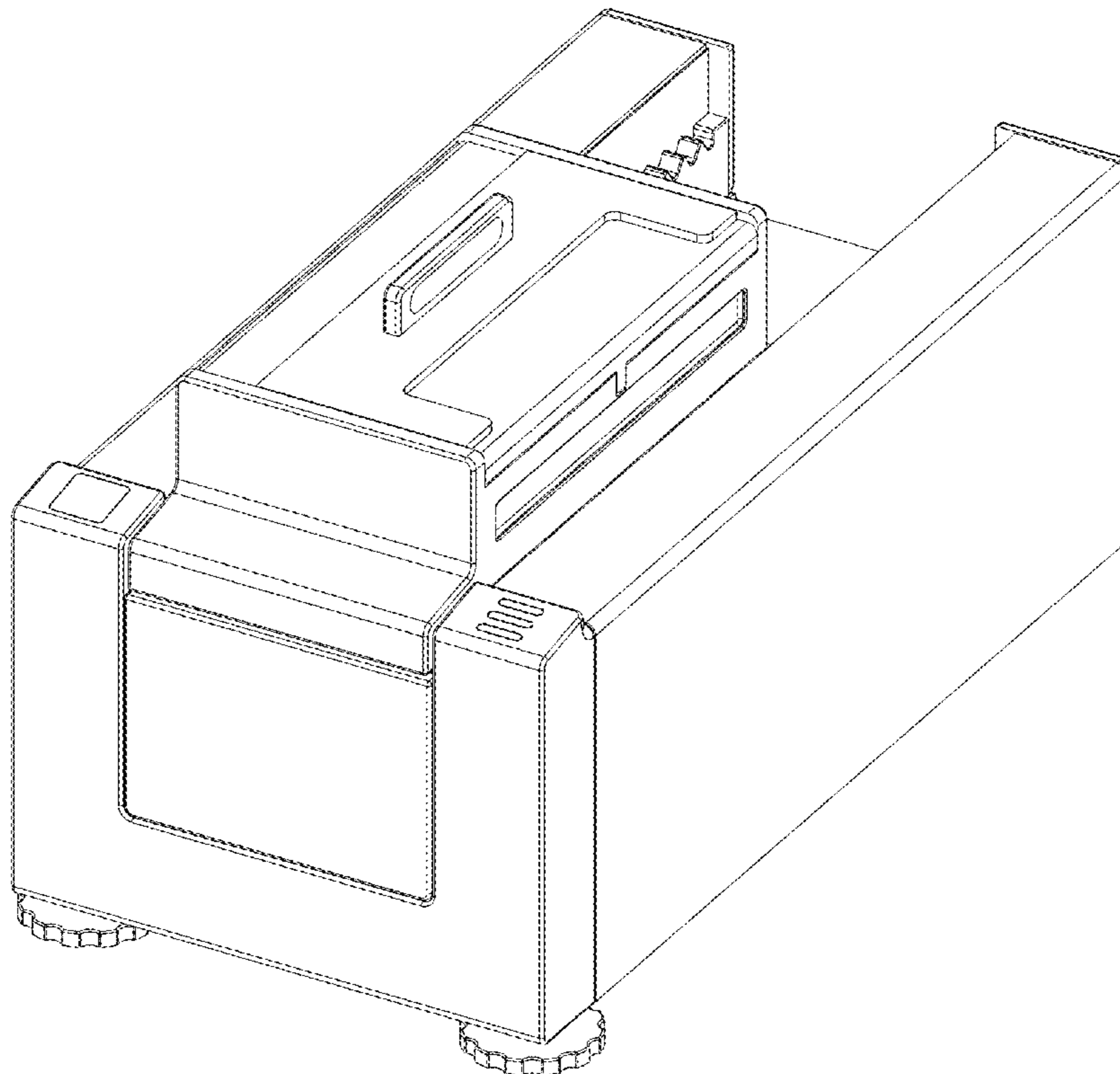
(57) **CLAIM**

The ornamental design for a measuring instrument, as shown.

**DESCRIPTION**

FIG. 1 is a front perspective view of the measuring instrument;  
FIG. 2 is a front elevation view thereof;  
FIG. 3 is a rear elevation view thereof;  
FIG. 4 is a right side elevation view thereof;  
FIG. 5 is a left side elevation view thereof;  
FIG. 6 is a top plan view thereof; and,  
FIG. 7 is a bottom plan view thereof.  
The broken lines in FIG. 3 depict unclaimed environmental subject matter.

**1 Claim, 7 Drawing Sheets**



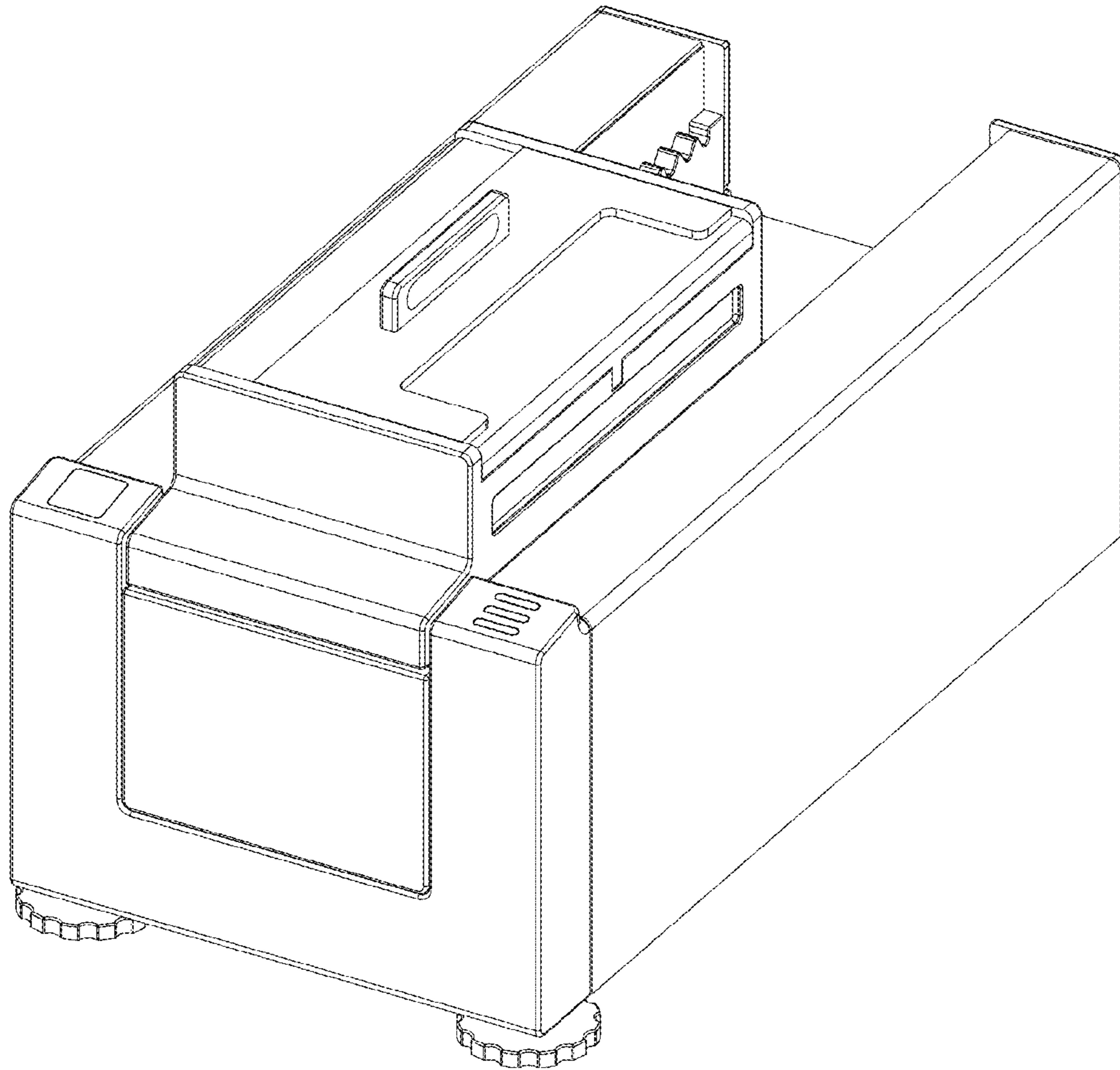


Fig. 1

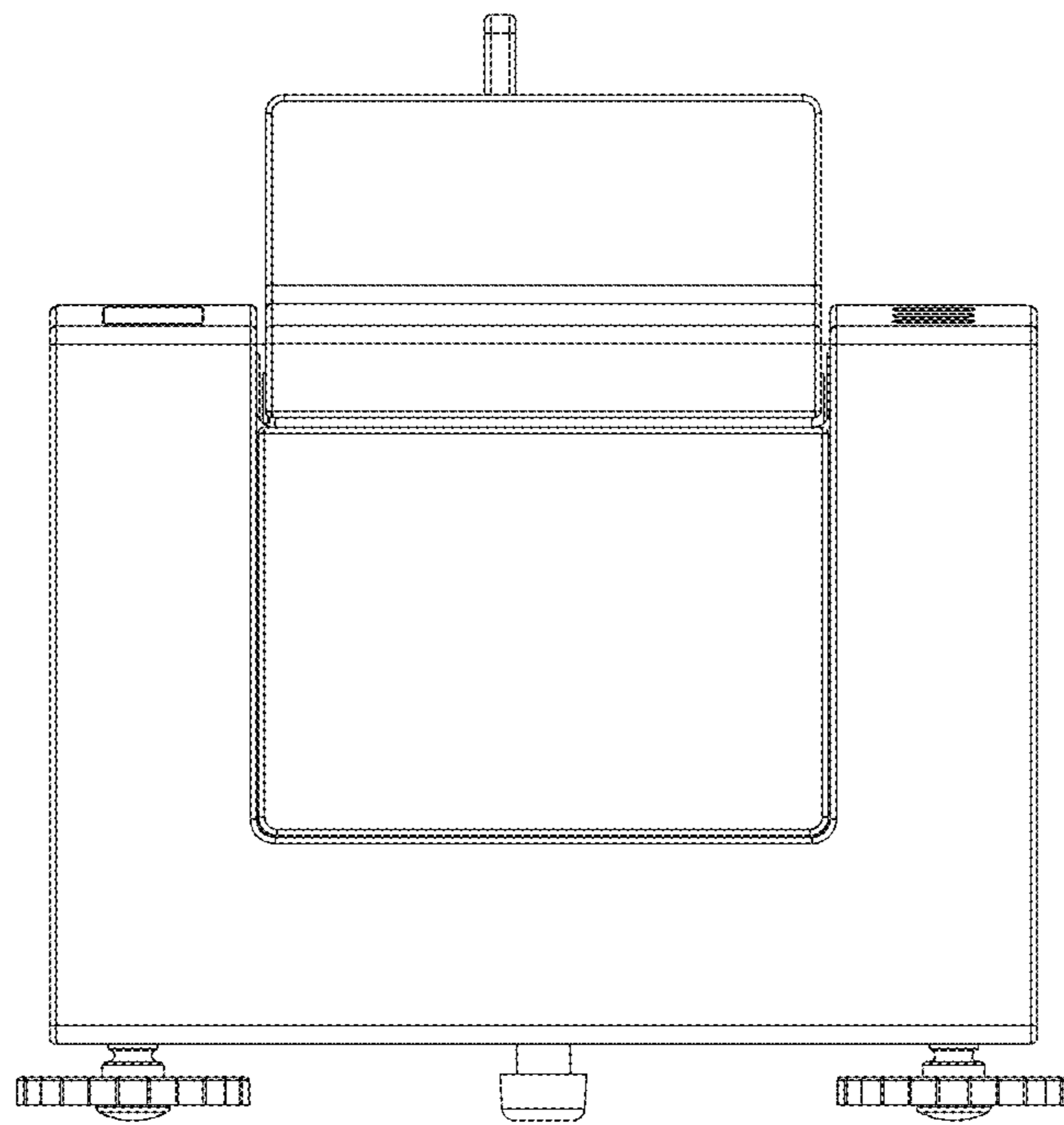


Fig. 2

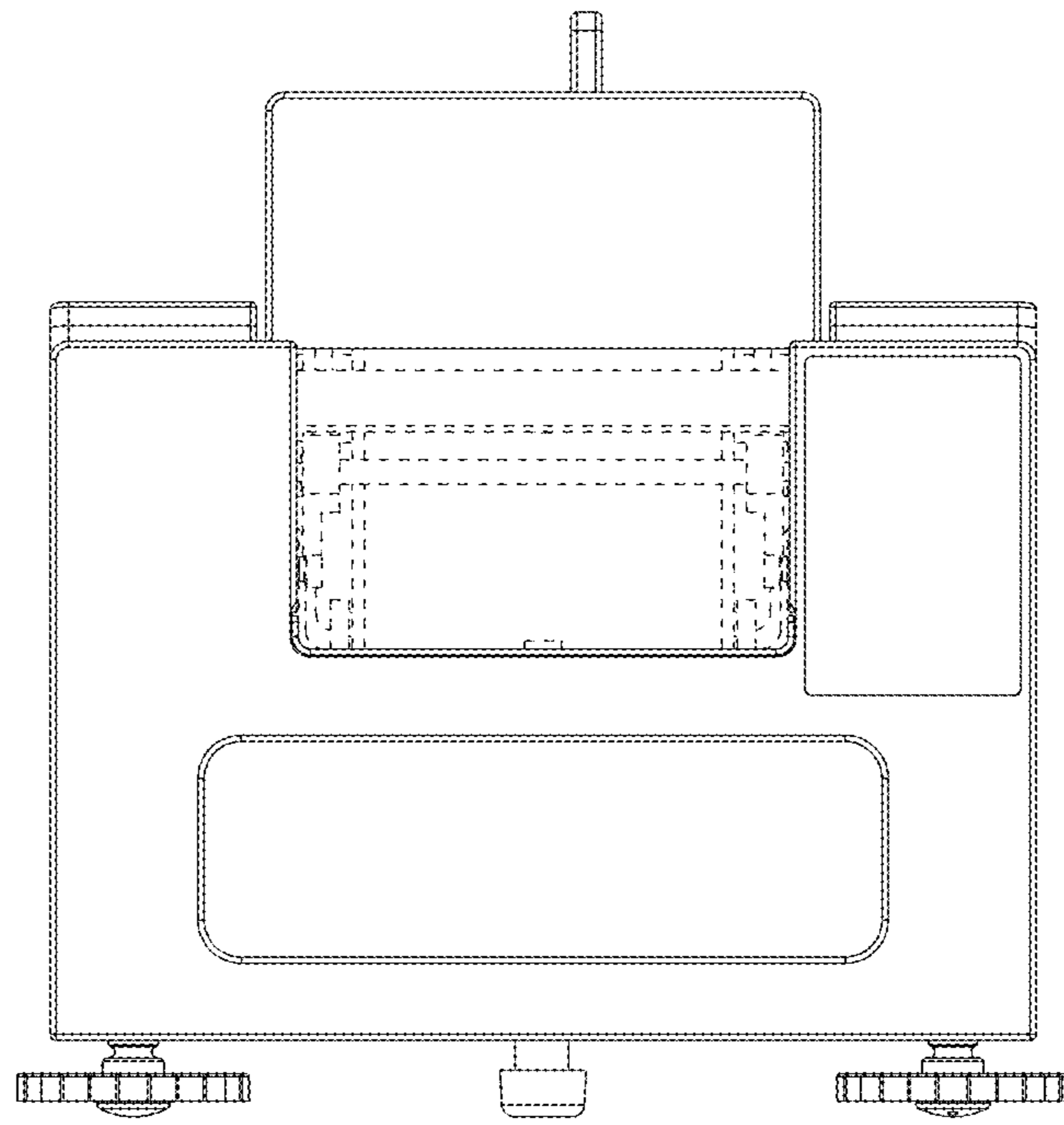


Fig. 3

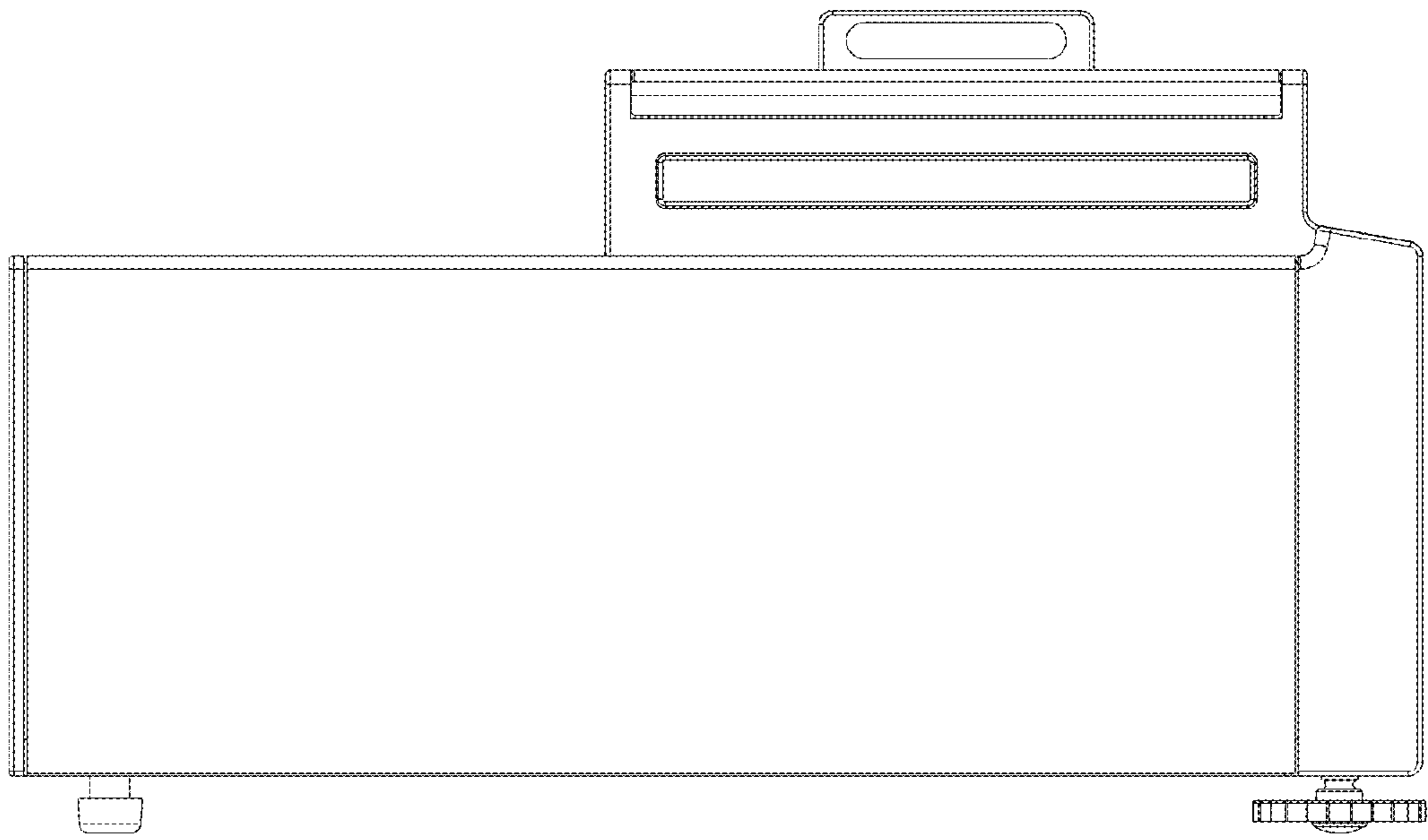


Fig. 4

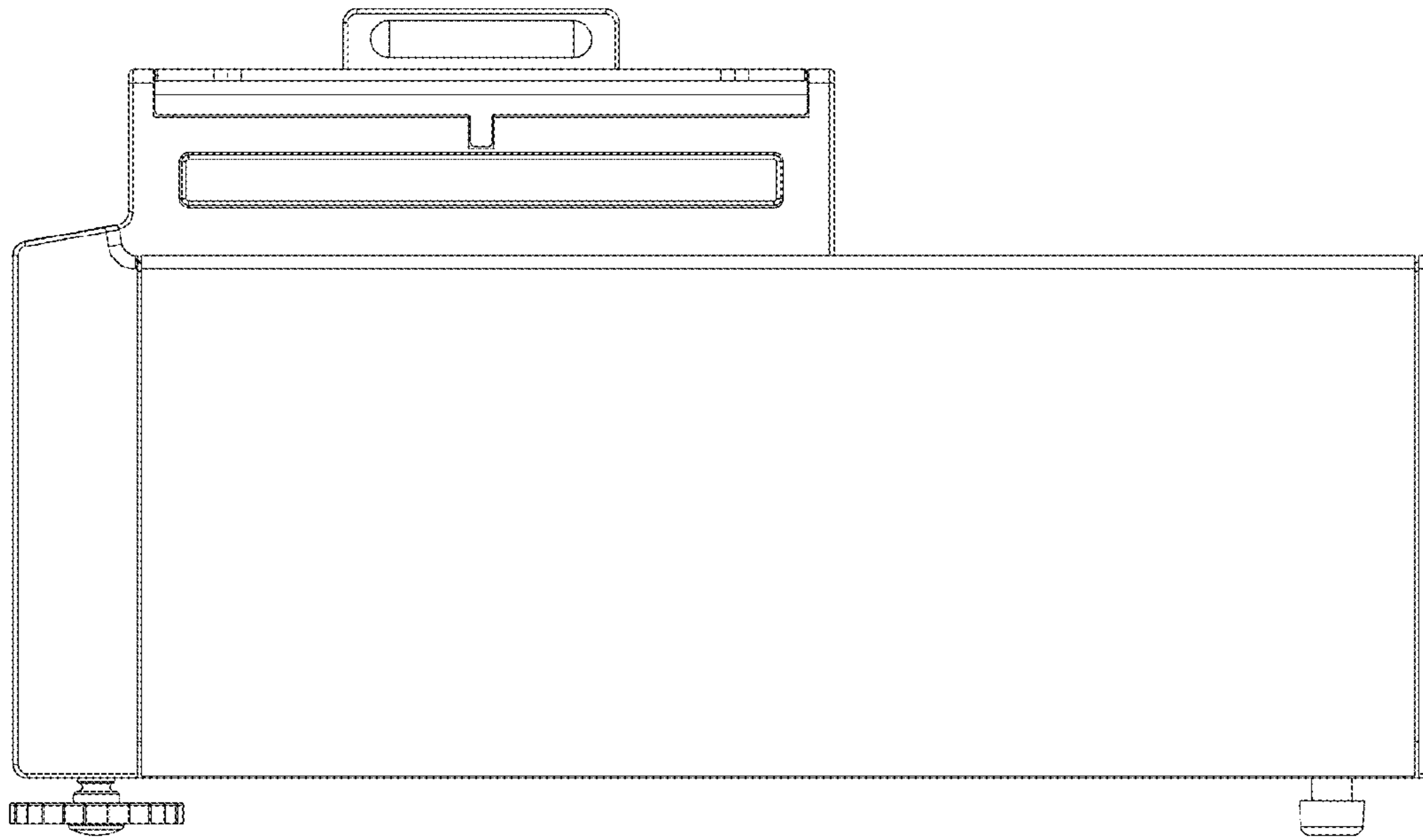


Fig. 5

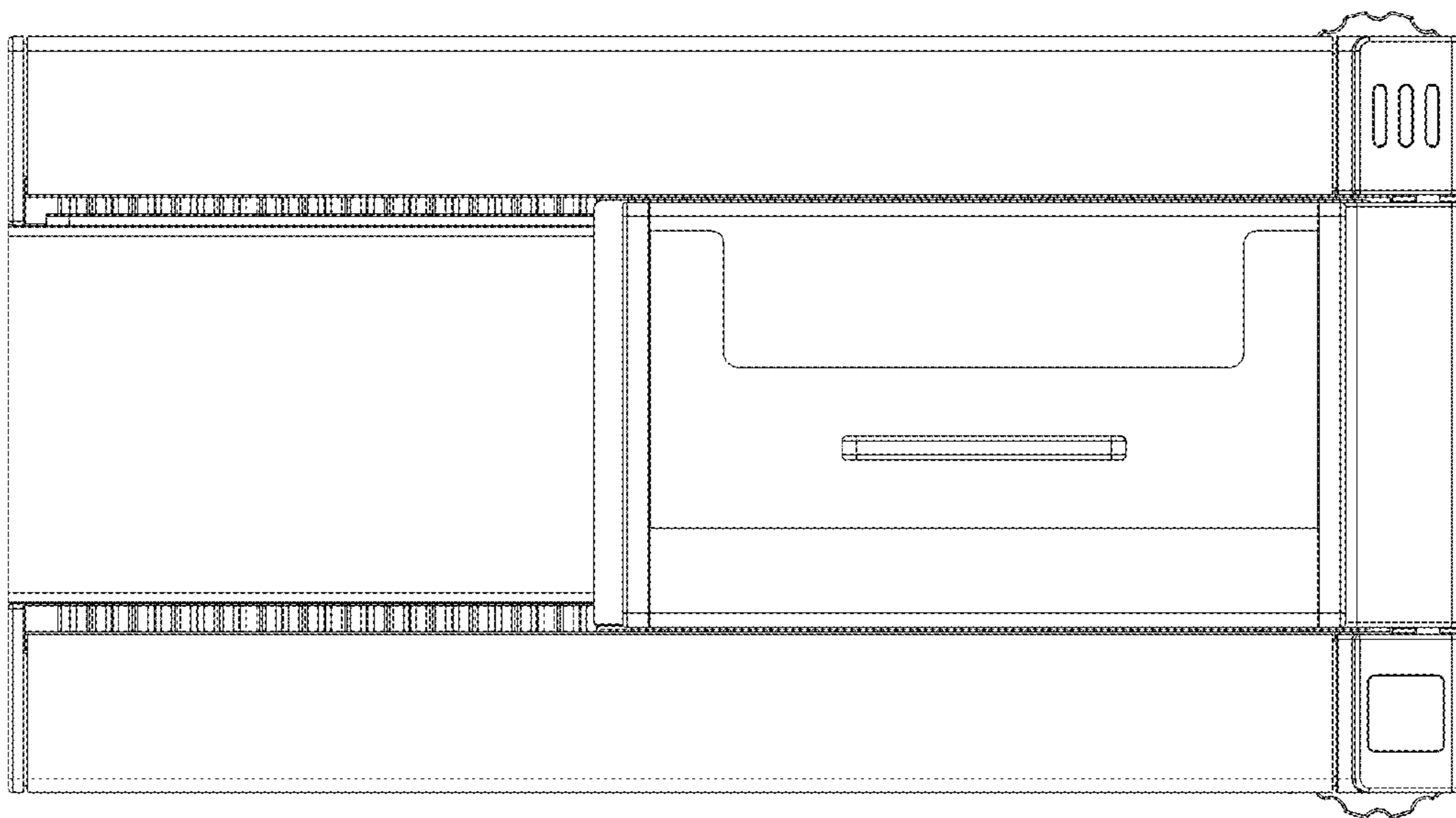


Fig. 6



Fig. 7