



US00D759837S

(12) **United States Design Patent**
Wainwright et al.

(10) **Patent No.:** **US D759,837 S**
(45) **Date of Patent:** **** Jun. 21, 2016**

- (54) **CUP**
- (71) Applicant: **Charles River Laboratories, Inc.**,
Wilmington, MA (US)
- (72) Inventors: **Norman R. Wainwright**, Johns Island,
SC (US); **Eric Stimpson**, Charleston, SC
(US); **Bruce J. Tomson**, Charleston, SC
(US); **Thomas Preidel**, Uslar (DE)
- (73) Assignee: **CHARLES RIVER**
LABORATORIES, INC., Wilmington,
MA (US)
- (**) Term: **14 Years**
- (21) Appl. No.: **29/509,191**
- (22) Filed: **Nov. 14, 2014**

- D248,916 S 8/1978 Reynolds et al.
- D249,708 S 9/1978 Smith et al.
- D258,761 S 3/1981 Graham
- 4,495,289 A 1/1985 Lyman et al.
- 4,516,358 A 5/1985 Marton et al.
- 4,668,633 A 5/1987 Walton
- D294,520 S 3/1988 Holewinski et al.
- D295,319 S 4/1988 Franchere et al.
- D297,366 S 8/1988 Hsei
- D310,123 S 8/1990 Carlson
- D315,208 S 3/1991 Valencia
- 5,021,351 A 6/1991 Ervin
- D318,078 S 7/1991 Laib et al.
- 5,114,057 A 5/1992 Ishikawa
- D335,677 S 5/1993 Davis et al.
- 5,366,893 A 11/1994 Stevens et al.
- D359,125 S 6/1995 Livingston
- D378,571 S 3/1997 Bastow
- D404,497 S 1/1999 Lahm et al.
- D407,491 S 3/1999 Rocha
- D411,308 S 6/1999 Pandey et al.

(Continued)

Related U.S. Application Data

- (62) Division of application No. 29/471,688, filed on Nov. 4, 2013, now Pat. No. Des. 724,755.
- (51) **LOC (10) Cl.** **24-01**
- (52) **U.S. Cl.**
USPC **D24/224**; D24/216
- (58) **Field of Classification Search**
USPC D24/121, 216, 223, 224, 227
CPC B01L 2200/0647; B01L 2200/16;
B01L 2300/06; B01L 2300/042; B01L
2300/0829; B01L 2300/0832; B01L 3/502;
B01L 3/508; B01L 2300/0681; B01L
2300/047; B01L 2400/0457; G01N 1/42
See application file for complete search history.

References Cited

U.S. PATENT DOCUMENTS

- 3,165,450 A 1/1965 Scheidt
- D238,886 S 2/1976 Goy

Primary Examiner — Anhdao Doan

(74) *Attorney, Agent, or Firm* — Goodwin Procter LLP

(57) **CLAIM**

The ornamental design for a cup, as shown and described.

DESCRIPTION

FIG. 1 is a top perspective view of a cup with a lid in broken line;

FIG. 2 is a side view of the cup;

FIG. 3 is a top view of the cup;

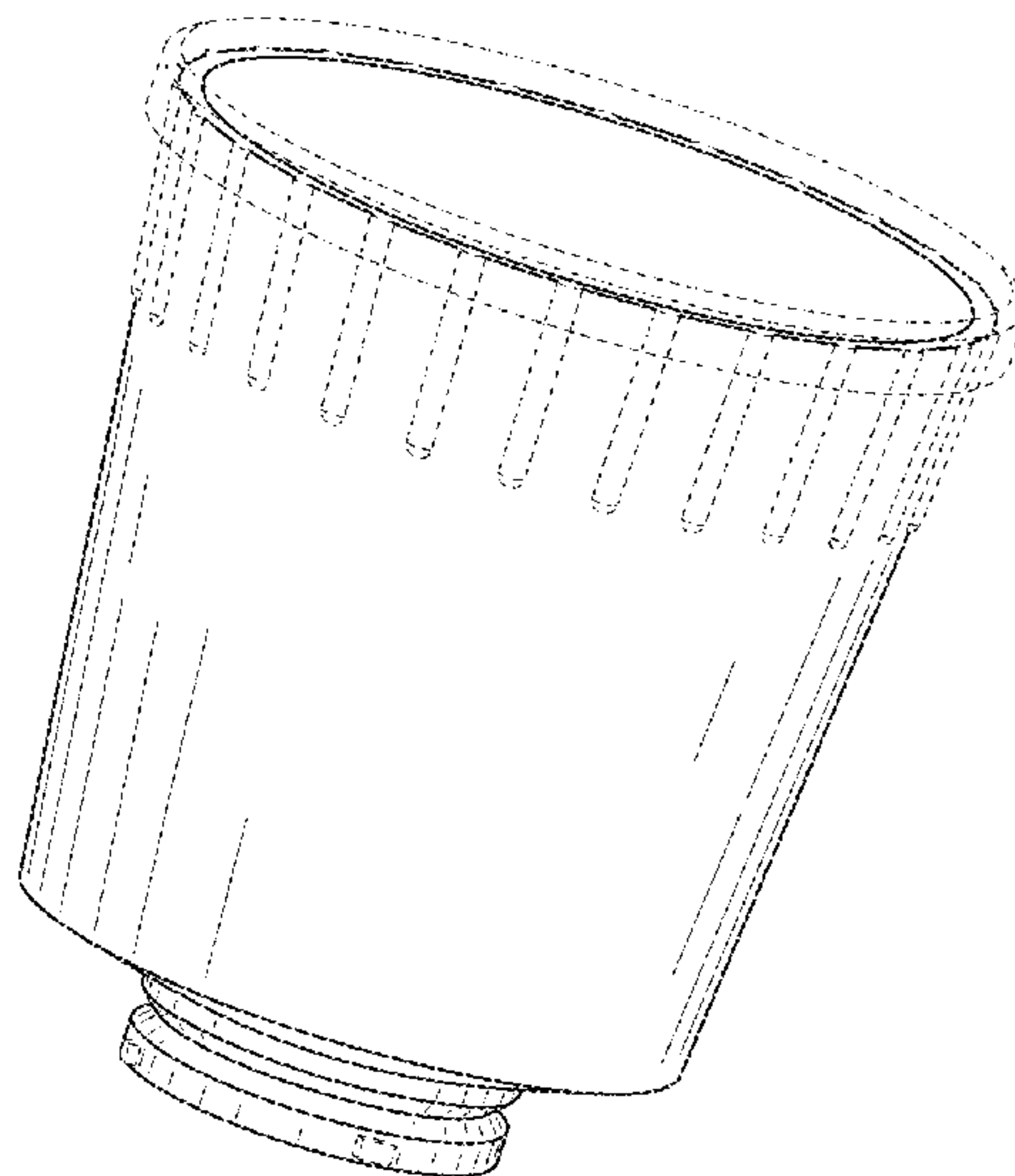
FIG. 4 is a bottom view of the cup;

FIG. 5 is a cross-sectional view of the cup; and,

FIG. 6 is a bottom perspective view of the cup with a lid in broken lines.

The broken line showing of a lid illustrates an environment, and other broken lines illustrate portions of the cup that form no part of the claimed design. The broken lines form no part of the claimed design.

1 Claim, 3 Drawing Sheets



(56)

References Cited

U.S. PATENT DOCUMENTS

D424,076 S	5/2000	Dibbern et al.	D693,939 S	11/2013	Iseki
D430,304 S	8/2000	Oonuma et al.	D695,416 S	12/2013	Saliaris
D435,906 S	1/2001	Wilkinson et al.	D698,939 S	2/2014	Wainwright et al.
6,358,730 B1	3/2002	Kane	D698,940 S	2/2014	Pribenszky
D465,282 S	11/2002	Cecchi	D701,426 S	3/2014	Cornish
D467,485 S	12/2002	Daniels et al.	D703,343 S	4/2014	Biswas et al.
D476,857 S	7/2003	Holsinger	D704,854 S	5/2014	Wainwright et al.
6,730,510 B2	5/2004	Roos et al.	D705,438 S	5/2014	Wainwright et al.
D499,035 S	11/2004	Cook et al.	D705,439 S	5/2014	Wainwright et al.
D509,121 S	9/2005	Hede	D717,352 S	11/2014	Manian
D542,931 S	5/2007	Pukall et al.	D717,460 S	11/2014	Manian
D546,626 S	7/2007	Chou	D717,462 S	11/2014	Wainwright et al.
D563,560 S	3/2008	Copeland	D717,463 S	11/2014	Wainwright et al.
7,393,694 B1	7/2008	Schlein et al.	D717,464 S	11/2014	Wainwright et al.
D583,238 S	12/2008	Chen	D719,666 S	12/2014	Manian
D612,688 S	3/2010	Bardolet	D719,667 S	12/2014	Manian
D618,819 S	6/2010	Wilkinson et al.	D724,755 S	3/2015	Wainwright et al.
D620,310 S	7/2010	Lundberg	D726,929 S	4/2015	Wainwright et al.
D623,764 S	9/2010	Py et al.	D728,816 S	5/2015	Wainwright et al.
D630,338 S	1/2011	Lafond	2004/0146965 A1	7/2004	Brayton
D637,733 S	5/2011	Wei	2006/0172412 A1	8/2006	Perrier et al.
7,977,090 B2	7/2011	Hicks	2006/0240549 A1	10/2006	Minton
D648,762 S	11/2011	Mack	2007/0110617 A1	5/2007	Nagai et al.
D649,075 S	11/2011	Chan et al.	2007/0202607 A1 *	8/2007	Revesz B01L 3/50255 436/174
8,163,540 B2	4/2012	Acosta	2007/0237684 A1 *	10/2007	Hansen B01L 3/508 422/400
8,168,443 B2	5/2012	Yu et al.	2008/0026419 A1	1/2008	Bottlang et al.
D674,505 S	1/2013	Cecchi	2011/0097790 A1	4/2011	Yerbic
D678,516 S	3/2013	Wong	2012/0058553 A1	3/2012	Haywood et al.
D687,561 S	8/2013	Iseki	2013/0093144 A1	4/2013	Bordeianu et al.
D693,467 S	11/2013	Doucette et al.	2013/0323745 A1	12/2013	Wainwright et al.
			2014/0123597 A1	5/2014	Mallett et al.

* cited by examiner

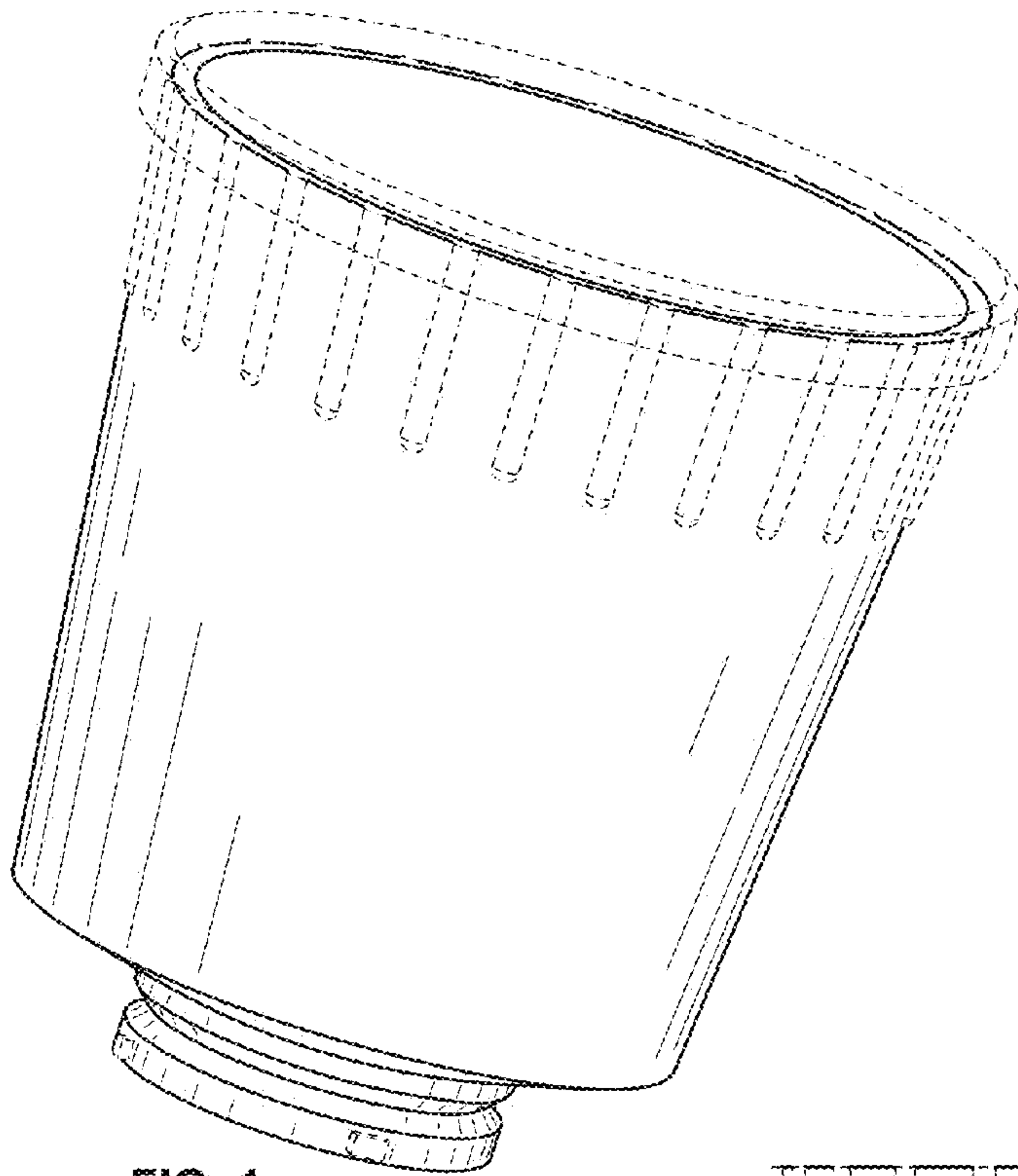


FIG. 1

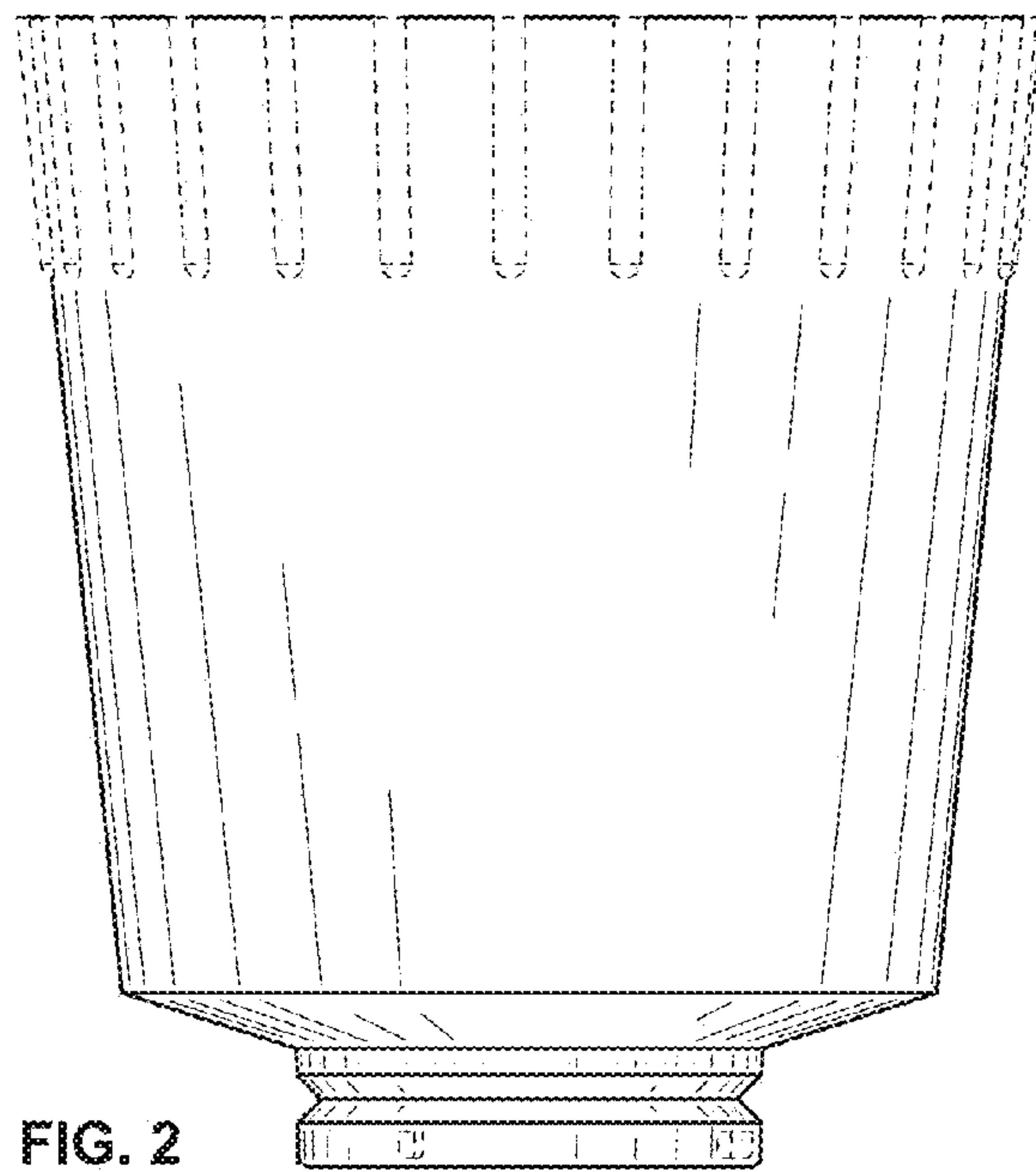


FIG. 2

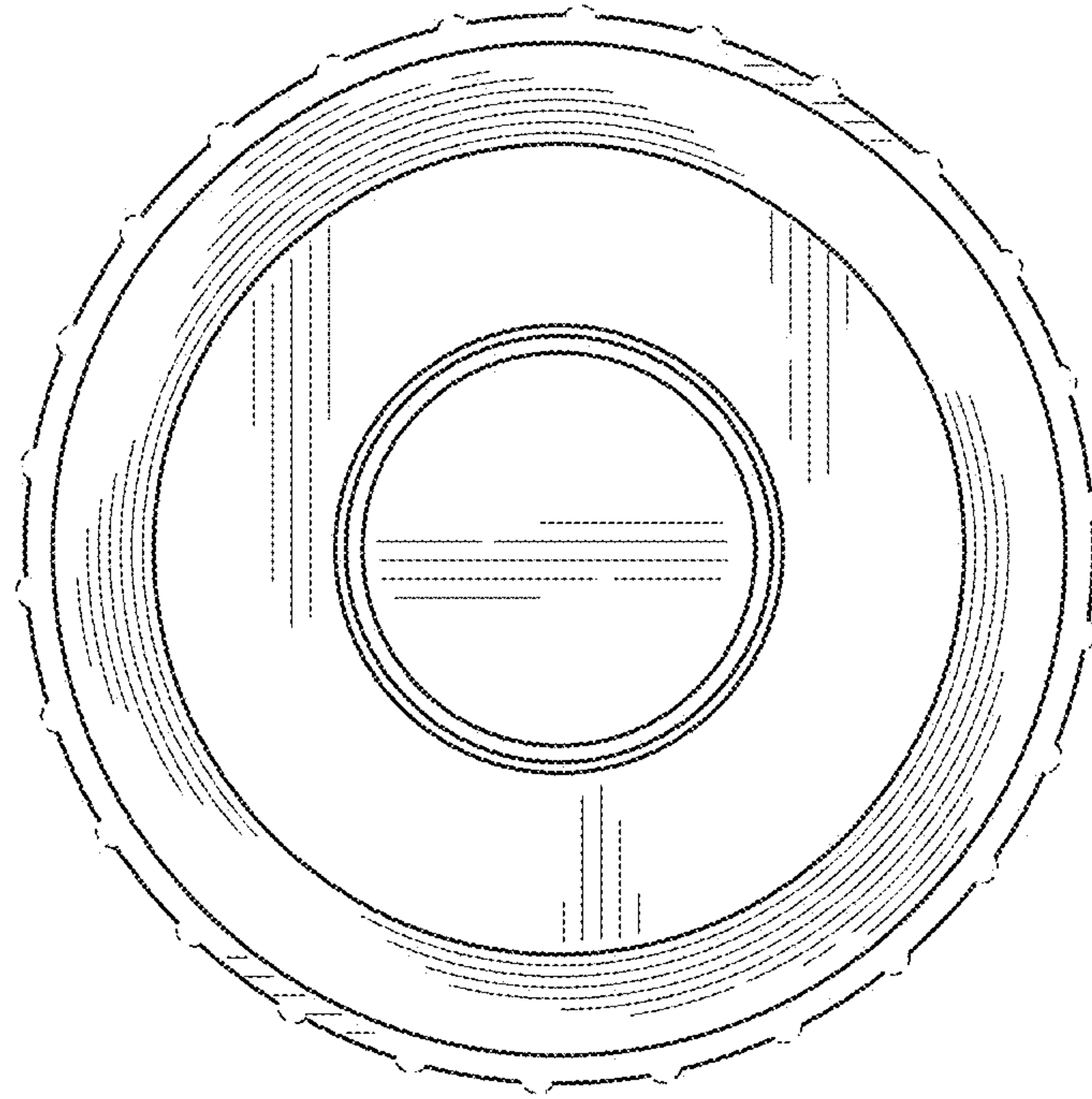


FIG. 3

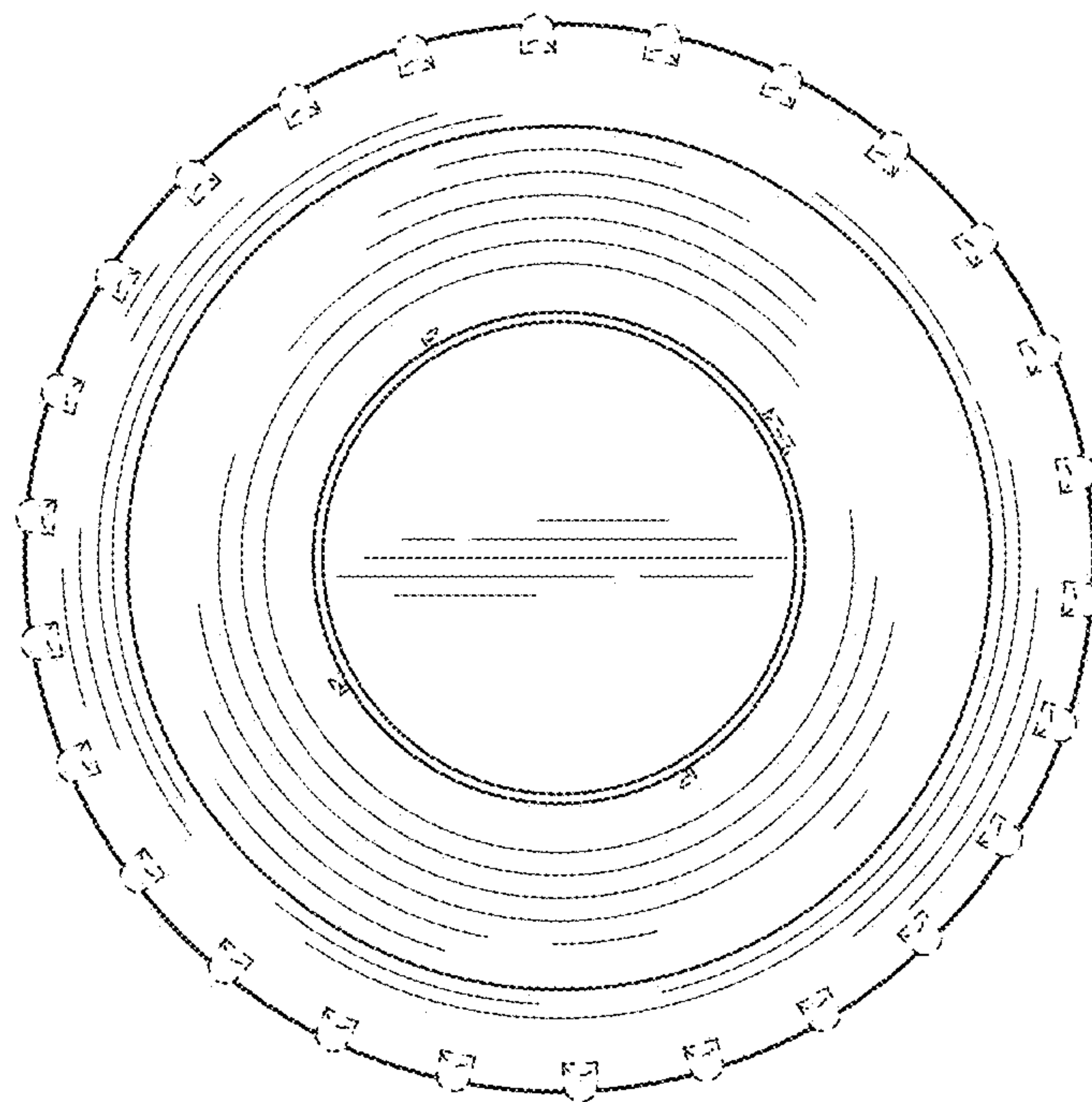


FIG. 4

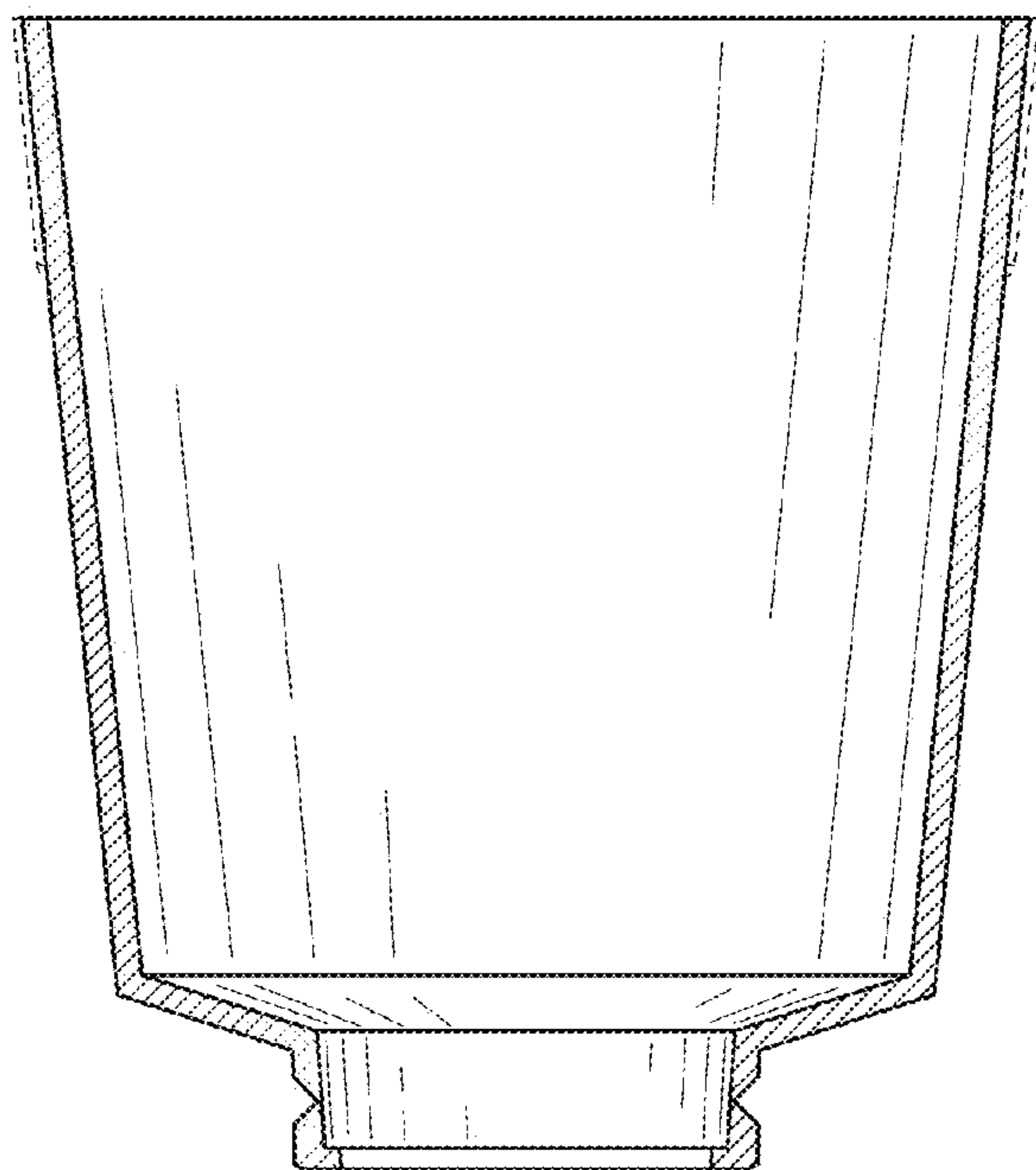


FIG. 5

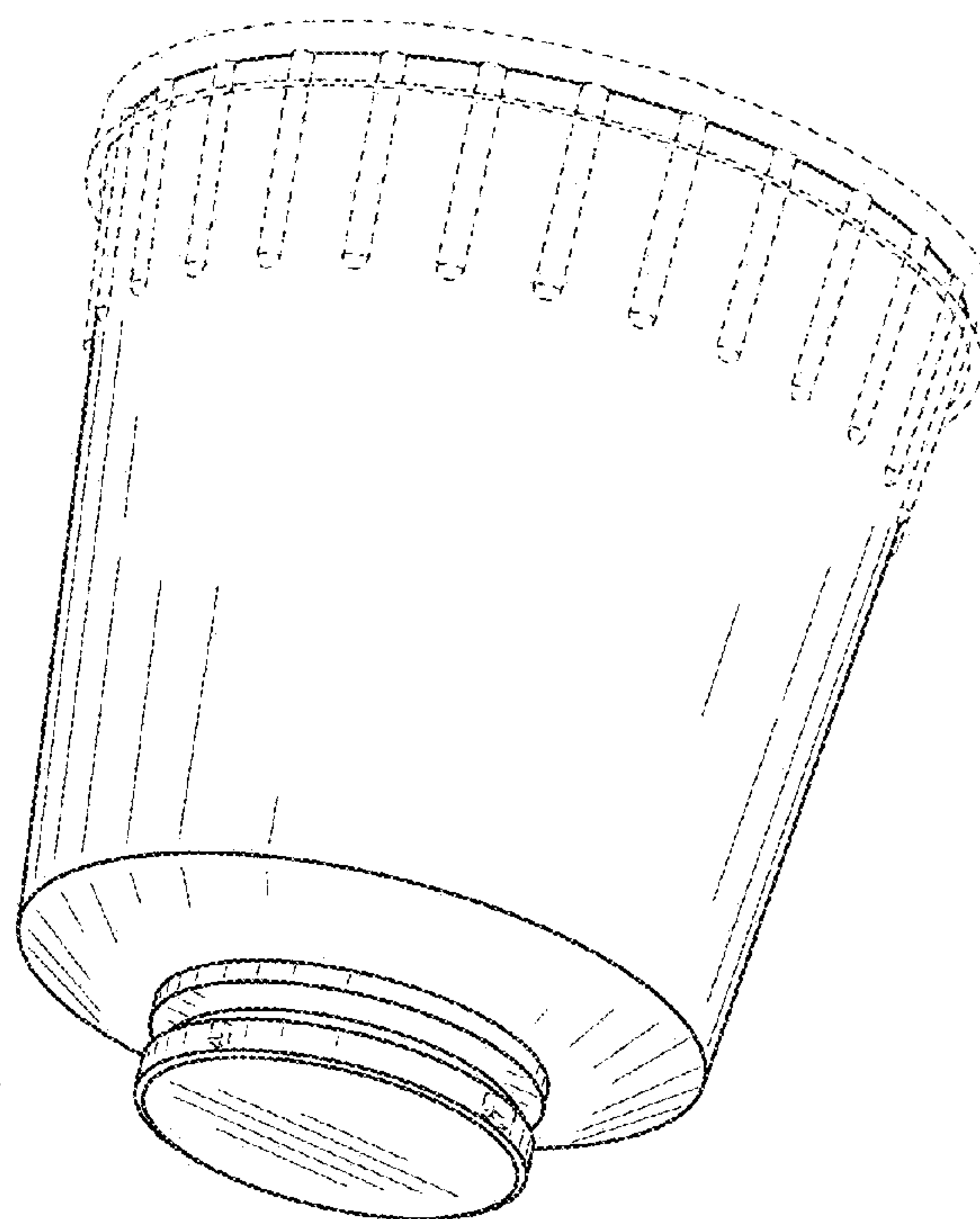


FIG. 6