



US00D759835S

(12) **United States Design Patent**
Baum et al.

(10) **Patent No.:** **US D759,835 S**
(45) **Date of Patent:** **** Jun. 21, 2016**

(54) **PROCESS TUBE STRIP**

5,683,659 A 11/1997 Hovatter et al.
5,721,136 A 2/1998 Finney et al.
5,948,363 A 9/1999 Gaillard

(71) Applicant: **BECTON, DICKINSON AND COMPANY**, Franklin Lakes, NJ (US)

(Continued)

(72) Inventors: **Michael J. Baum**, Fallston, MD (US);
Brent Pohl, Timonium, MD (US); **Ed Belsinger**, Forest Hill, MD (US)

FOREIGN PATENT DOCUMENTS

EP 0483620 A2 5/1992
EP 0688602 A2 12/1995

(73) Assignee: **Becton, Dickinson and Company**, Franklin Lakes, NJ (US)

(Continued)

(**) Term: **14 Years**

(21) Appl. No.: **29/497,144**

(22) Filed: **Jul. 21, 2014**

International Search Report and Written Opinion mailed Jan. 28, 2014 for International Application No. PCT/US2013/032556.

Primary Examiner — Anhdao Doan

(74) *Attorney, Agent, or Firm* — Knobbe Martens Olson & Bear LLP

Related U.S. Application Data

(63) Continuation-in-part of application No. 29/450,191, filed on Mar. 15, 2013, now Pat. No. Des. 709,625.

(51) **LOC (10) Cl.** **24-01**

(52) **U.S. Cl.**
USPC **D24/224**

(58) **Field of Classification Search**
USPC D24/216, 223–225, 231, 232, 186, 108, D24/112, 119, 121, 127, 129; D10/81; 604/1–3; 600/569, 572, 578; 422/400–405, 547–550, 554, 558, 562; 435/288.1, 288.4, 304.1, 305.2
CPC . A61B 10/0096; A61B 10/0038; A61B 10/02
See application file for complete search history.

OTHER PUBLICATIONS

(57) **CLAIM**

The ornamental design for a process tube strip, substantially as shown and described.

DESCRIPTION

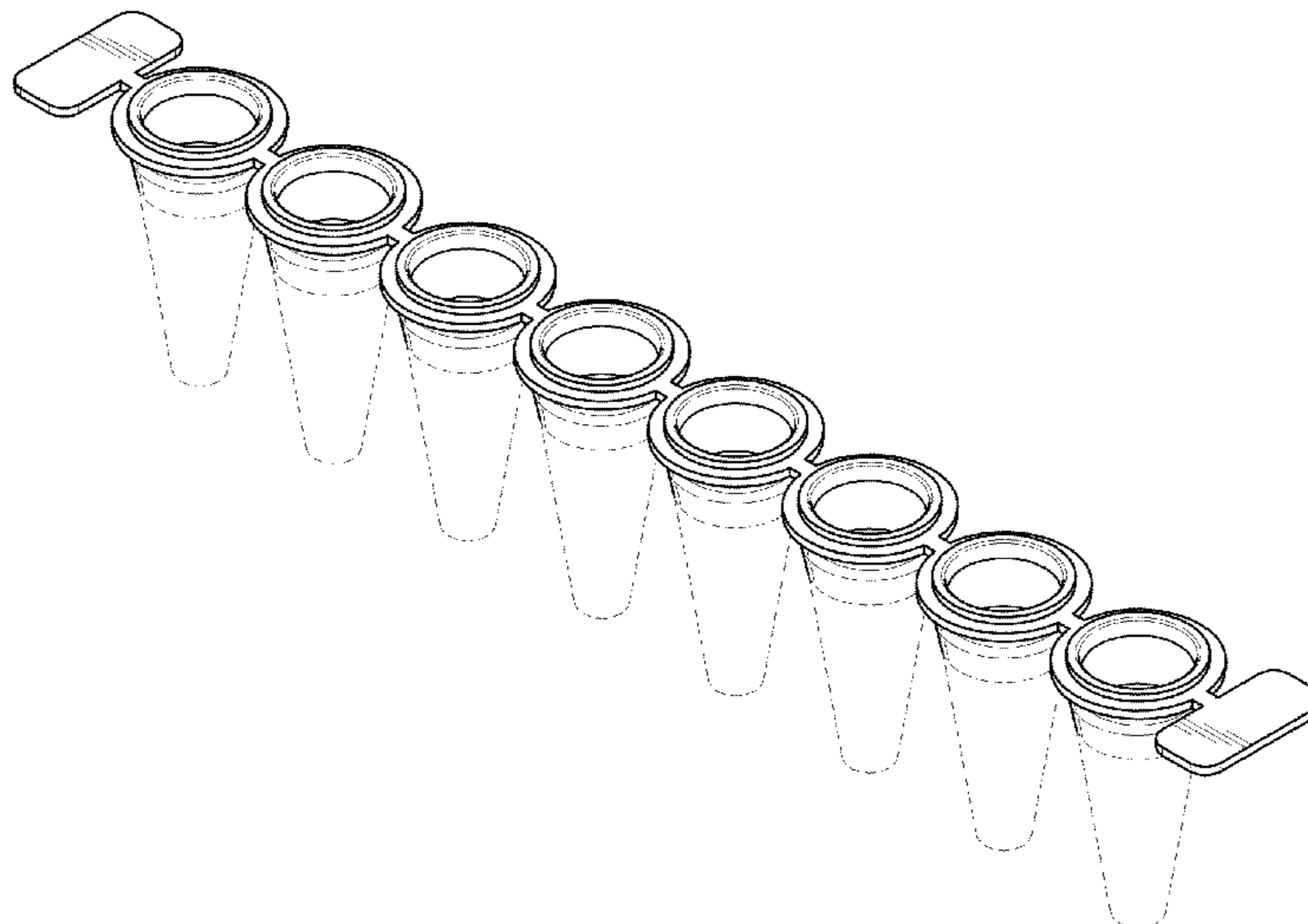
FIG. 1 is a perspective view of a process tube strip; FIG. 2 is a side plan view of the process tube strip; FIG. 3 is a top plan view of the process tube strip; FIG. 4 is a bottom plan view of the process tube strip; FIG. 5 is an end plan view of the process tube strip; and, FIG. 6 is a cross-sectional view of a process tube in the process tube strip taken along line 6 in FIG. 3. The broken lines immediately adjacent the shaded areas represent the bounds of the claim, and other broken lines are included for the purpose of illustrating portions of the process tube strip that form no part of the claimed design. None of the broken lines form a part of the claimed design.

(56) **References Cited**

U.S. PATENT DOCUMENTS

4,956,150 A 9/1990 Henry
D367,932 S 3/1996 Lim

1 Claim, 4 Drawing Sheets



(56)

References Cited

U.S. PATENT DOCUMENTS

6,027,694 A 2/2000 Boulton et al.
D445,907 S 7/2001 Monks
D453,573 S 2/2002 Lafond et al.
D605,303 S 12/2009 Monks
D608,013 S 1/2010 Coulling et al.
D624,659 S 9/2010 Nuotio
D679,830 S 4/2013 May et al.
D684,703 S 6/2013 Watzele et al.
D687,567 S 8/2013 Jungheim et al.
D703,345 S * 4/2014 Tajima et al. D24/224
D717,468 S * 11/2014 Tsai D24/224
2007/0116613 A1 5/2007 Elsener

2008/0287585 A1* 11/2008 Brown 524/424
2009/0047180 A1 2/2009 Kawahara
2013/0029343 A1 1/2013 Day et al.

FOREIGN PATENT DOCUMENTS

EP 1077086 A2 2/2001
EP 1346772 A2 9/2003
EP 1792656 A1 6/2007
GB 2453432 A 4/2009
WO WO 98/35013 A1 8/1998
WO WO 2004/056485 A1 7/2004
WO WO 2011/101467 8/2011

* cited by examiner

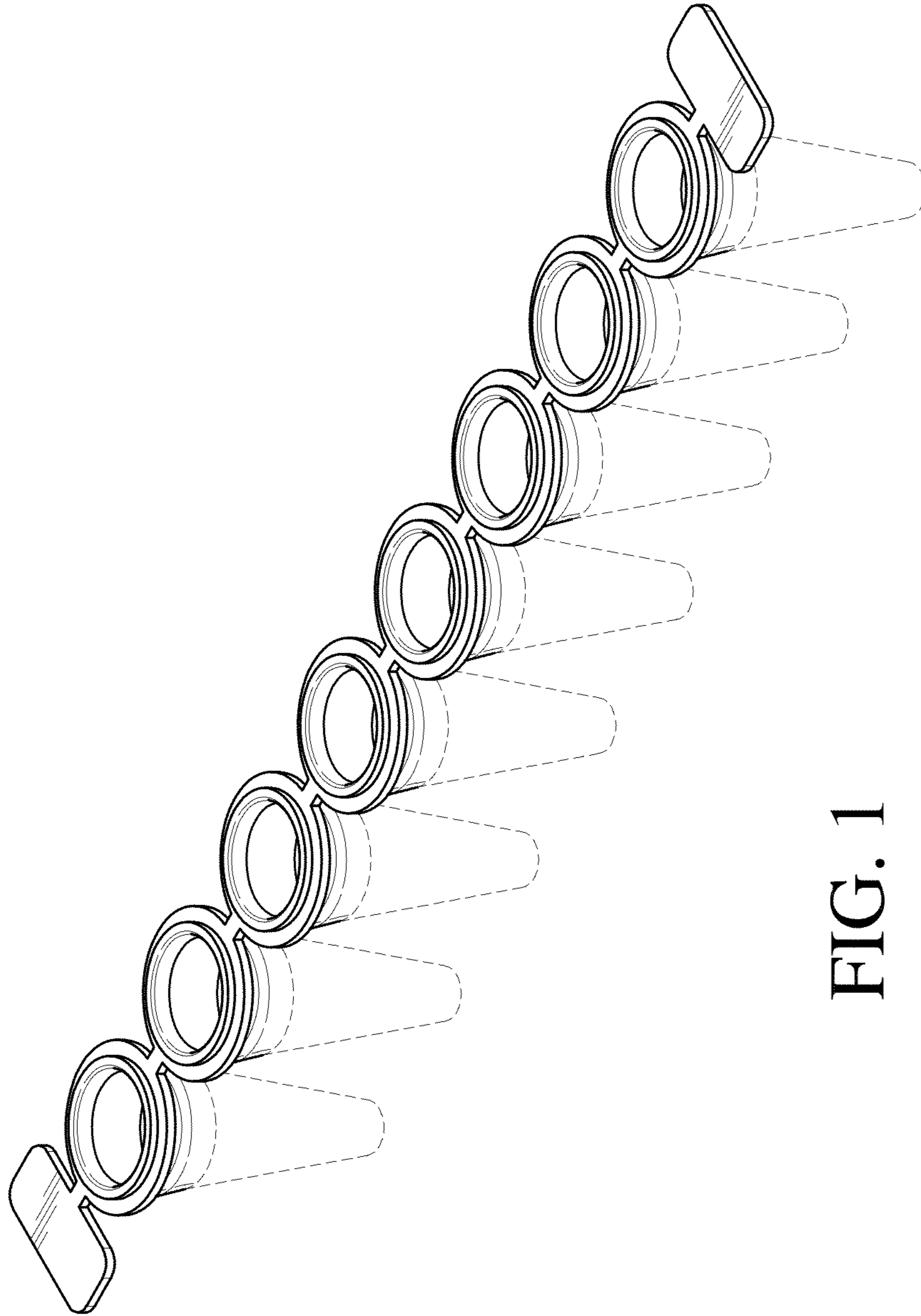


FIG. 1

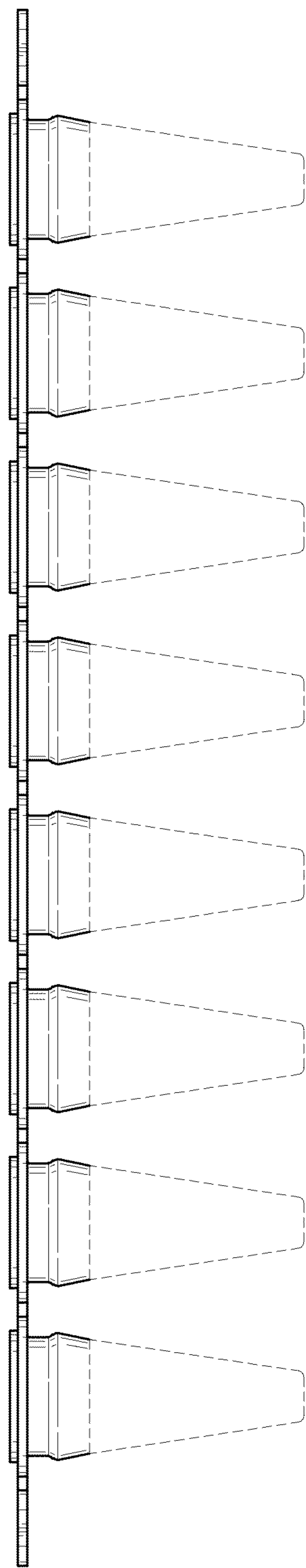


FIG. 2

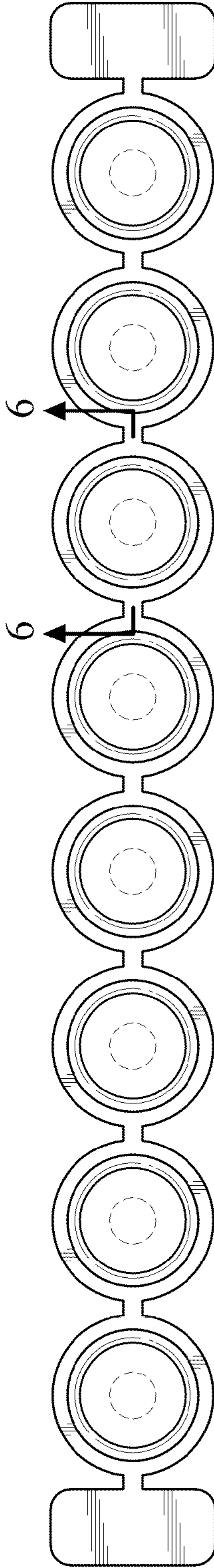


FIG. 3

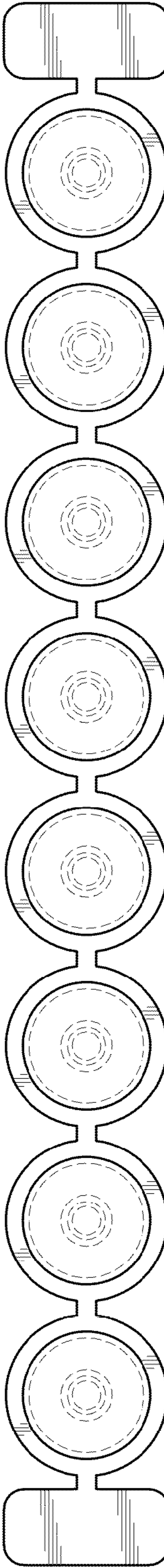


FIG. 4

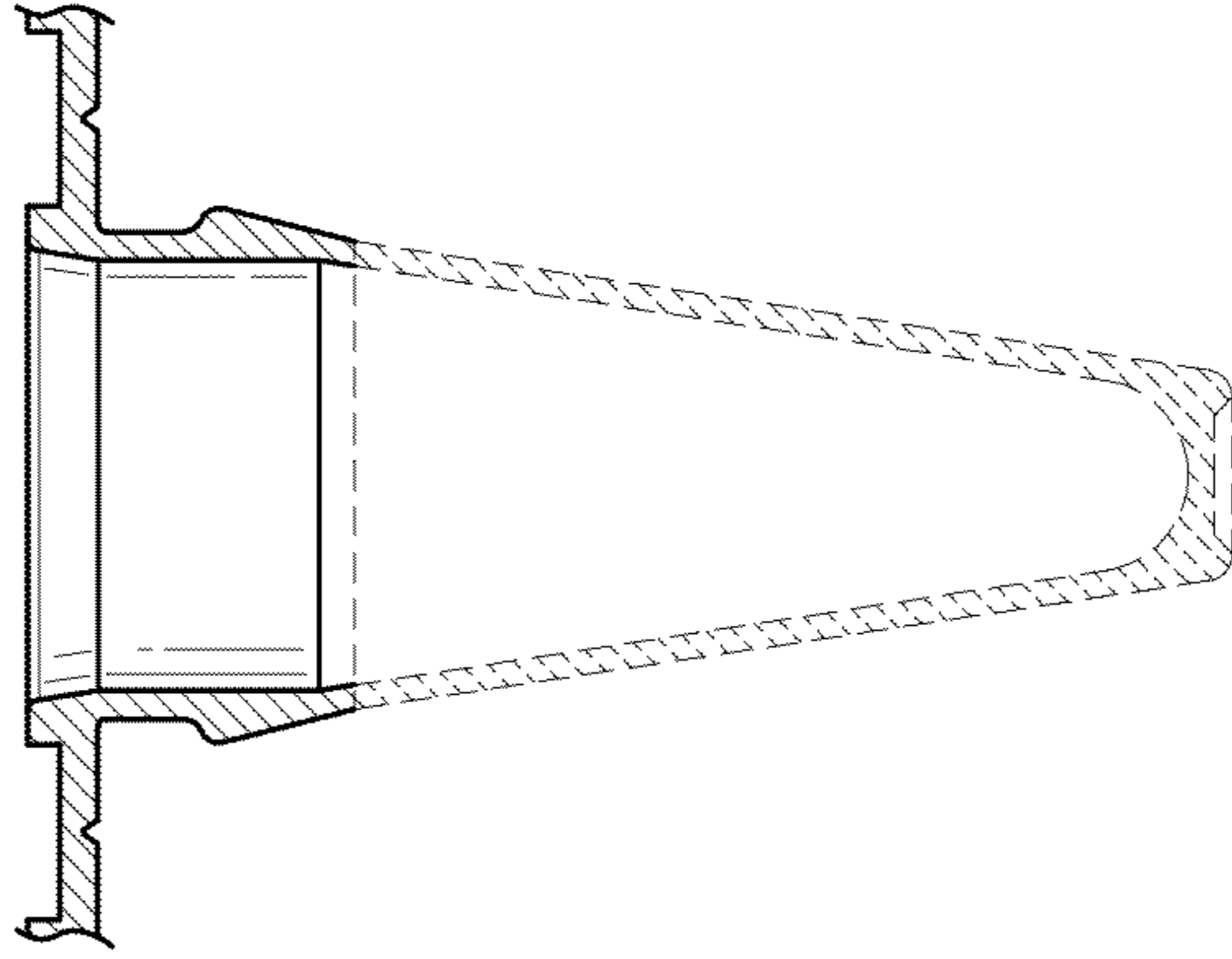


FIG. 5

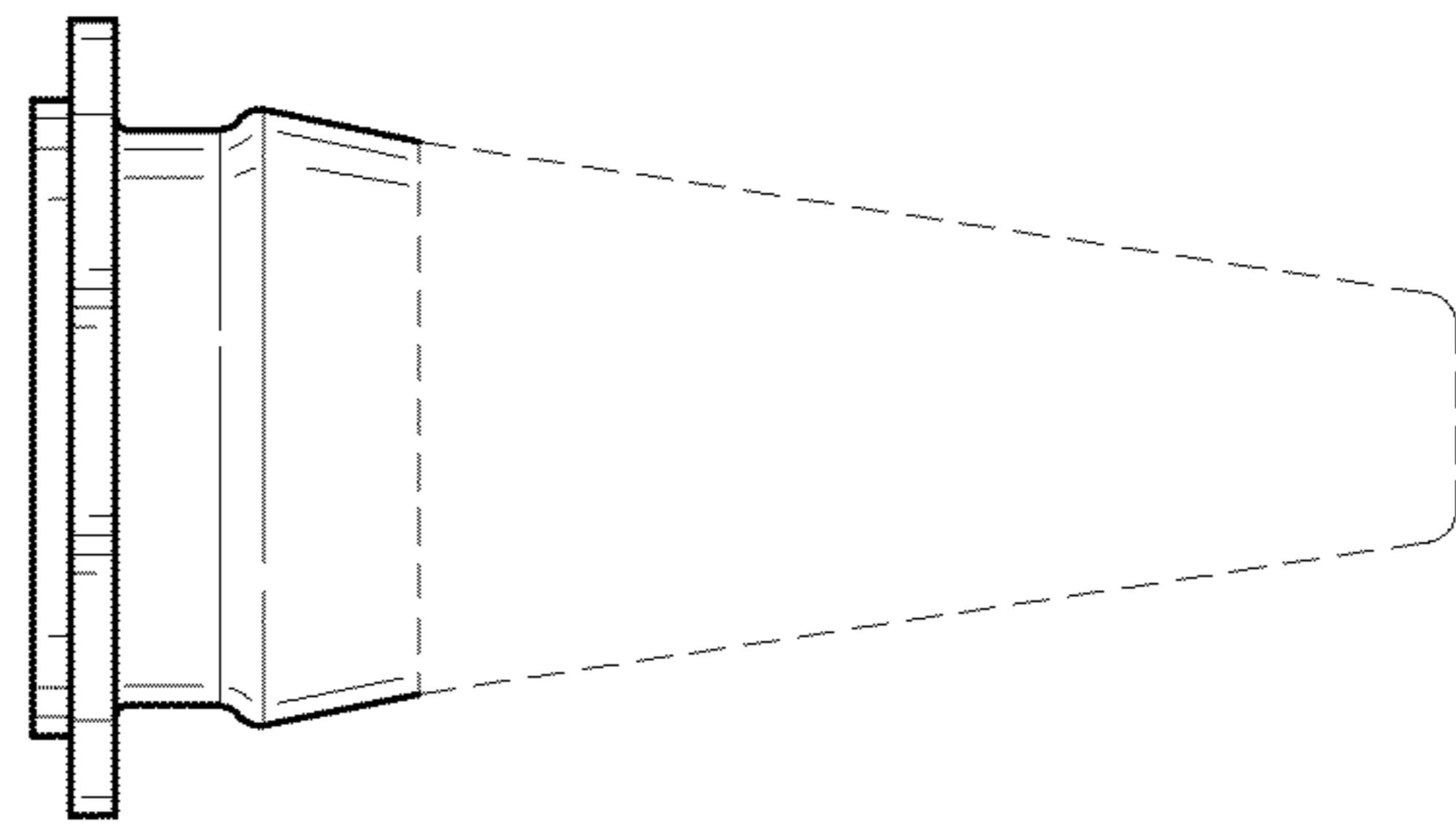


FIG. 6