



US00D759832S

(12) **United States Design Patent**  
**Larsen et al.**

(10) **Patent No.:** **US D759,832 S**  
(45) **Date of Patent:** **\*\* Jun. 21, 2016**

(54) **SPA SHELL**

(71) Applicant: **WATKINS MANUFACTURING CORPORATION**, Vista, CA (US)

(72) Inventors: **Christopher Carl Larsen**, Vista, CA (US); **Sage Nathan Baker**, Cardiff by the Sea, CA (US)

(73) Assignee: **Watkins Manufacturing Corporation**, Vista, CA (US)

(\*\*) Term: **14 Years**

(21) Appl. No.: **29/514,559**

(22) Filed: **Jan. 14, 2015**

(51) **LOC (10) Cl.** ..... **23-02**

(52) **U.S. Cl.**  
USPC ..... **D24/204**

(58) **Field of Classification Search**  
USPC ..... D24/201, 204, 205; D23/276-278, D23/280.1-280.3; D25/2; 4/488, 4/541.1-541.6, 546-547, 578.1, 579, 4/589, 904; 601/154-158

CPC ... A61H 33/00; A61H 33/0087; A61H 33/02; A61H 33/60; A61H 33/6063; A61H 33/021; A61H 33/022; A61H 33/027; A61H 33/0091; A47K 3/02; A47K 3/122; A47K 3/06; E04H 2004/0068; E04H 4/0037

See application file for complete search history.

(56) **References Cited**

**U.S. PATENT DOCUMENTS**

D284,407 S \* 6/1986 Doman ..... D24/205  
D531,729 S \* 11/2006 Larsen ..... D24/201  
D552,746 S \* 10/2007 Loyd ..... D24/204

D573,261 S \* 7/2008 Tatum ..... D24/204  
D590,951 S \* 4/2009 Larsen ..... D24/204  
D641,486 S \* 7/2011 Larsen ..... D24/204  
D657,881 S \* 4/2012 Larsen ..... D24/204  
D657,882 S \* 4/2012 Larsen ..... D24/204  
D685,104 S \* 6/2013 Larsen ..... D24/204  
D723,706 S \* 3/2015 Larsen ..... D24/204  
2003/0014811 A1 \* 1/2003 Hammock ..... A47K 3/062  
4/541.1  
2014/0131472 A1 \* 5/2014 Eddington ..... A61H 33/6063  
239/18  
2015/0283400 A1 \* 10/2015 Hatley ..... A61N 5/0616  
607/80

\* cited by examiner

*Primary Examiner* — Catherine Oliver

*Assistant Examiner* — Rebekah Caruso

(74) *Attorney, Agent, or Firm* — Kirk W. Rudolph

(57) **CLAIM**

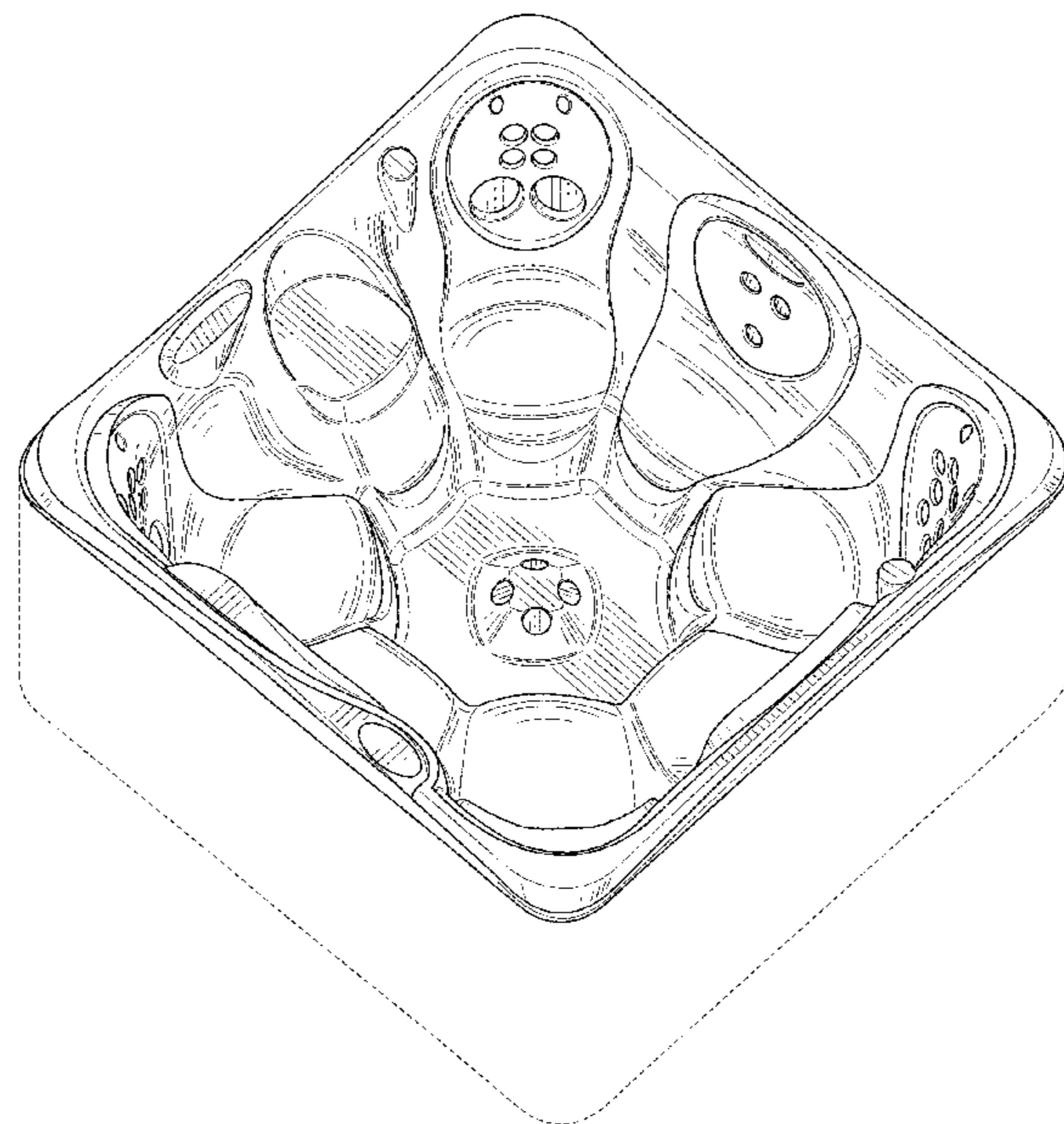
The ornamental design for a spa shell, as shown and described.

**DESCRIPTION**

FIG. 1 is a perspective view of a spa shell showing our design; FIG. 2 is a second perspective view thereof; FIG. 3 is a top plan view thereof; FIG. 4 is a cross-sectional view thereof, taken along line 4-4 of FIG. 3; FIG. 5 is a cross-sectional view thereof, taken along line 5-5 of FIG. 3; FIG. 6 is a cross-sectional view thereof, taken along line 6-6 of FIG. 3; and, FIG. 7 is a cross-sectional view thereof, taken along line 7-7 of FIG. 3.

The broken lines in the drawings represent unclaimed portions of the spa shell and form no part of the claimed design.

**1 Claim, 5 Drawing Sheets**



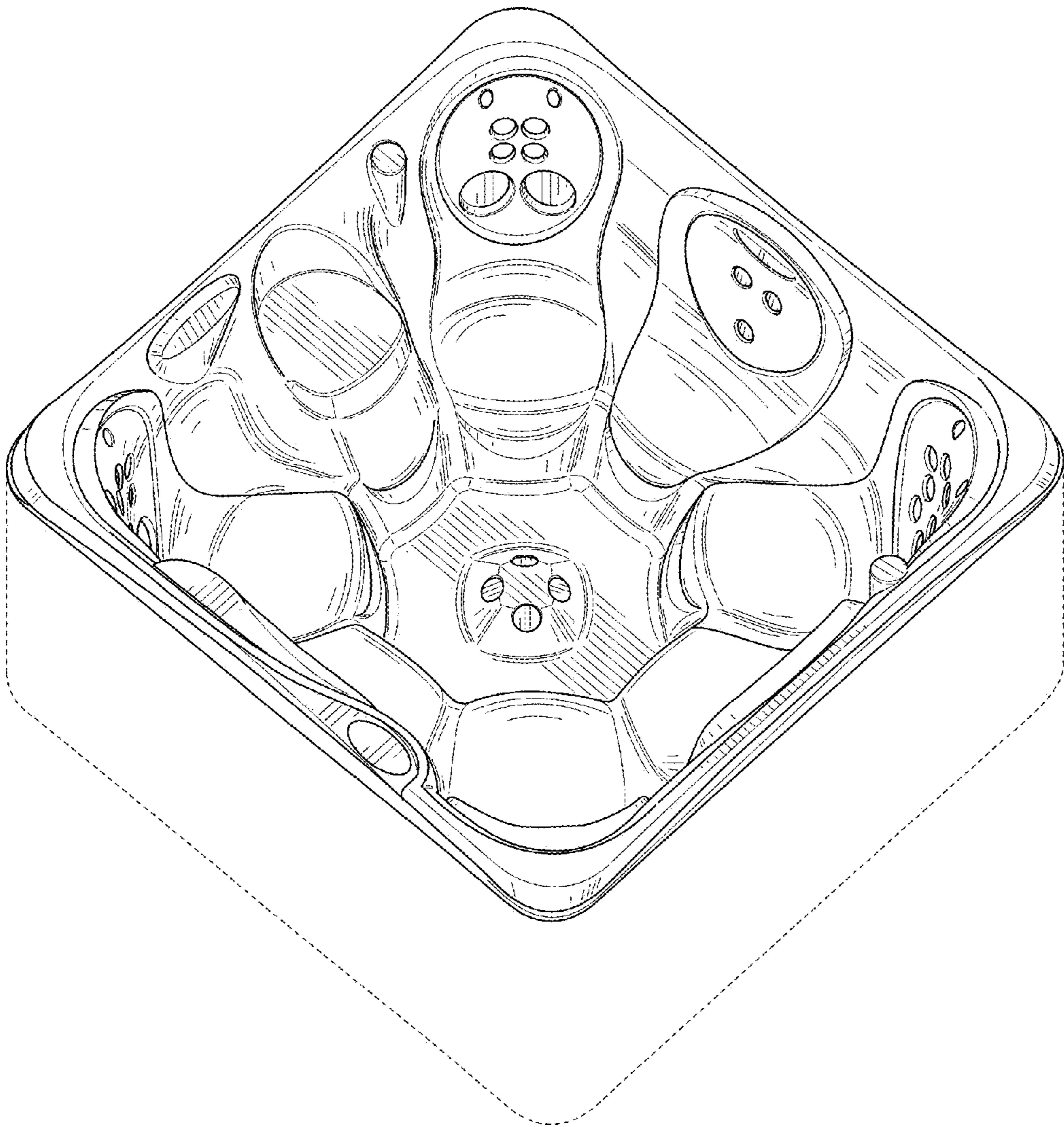


FIG. 1

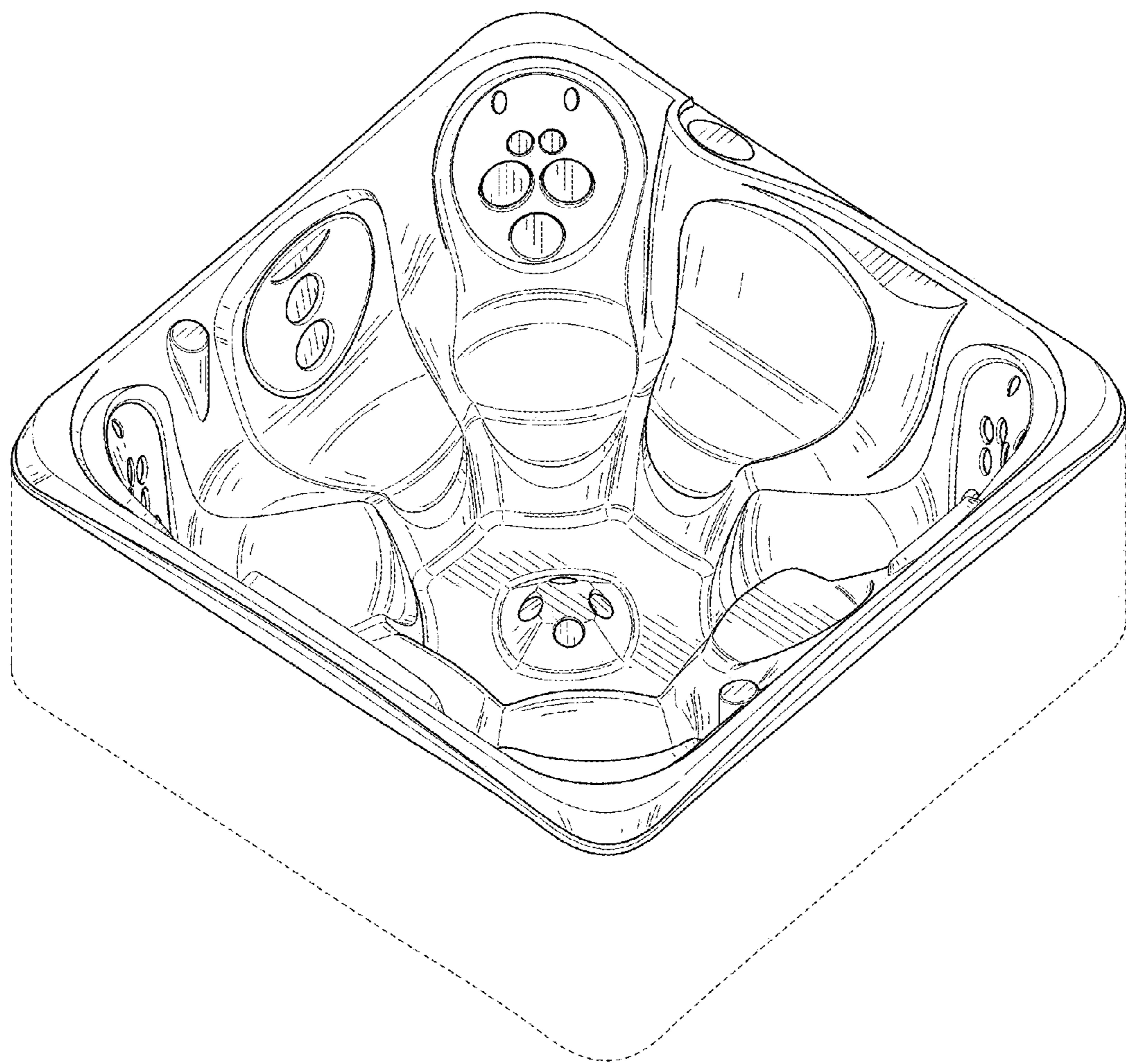


FIG. 2

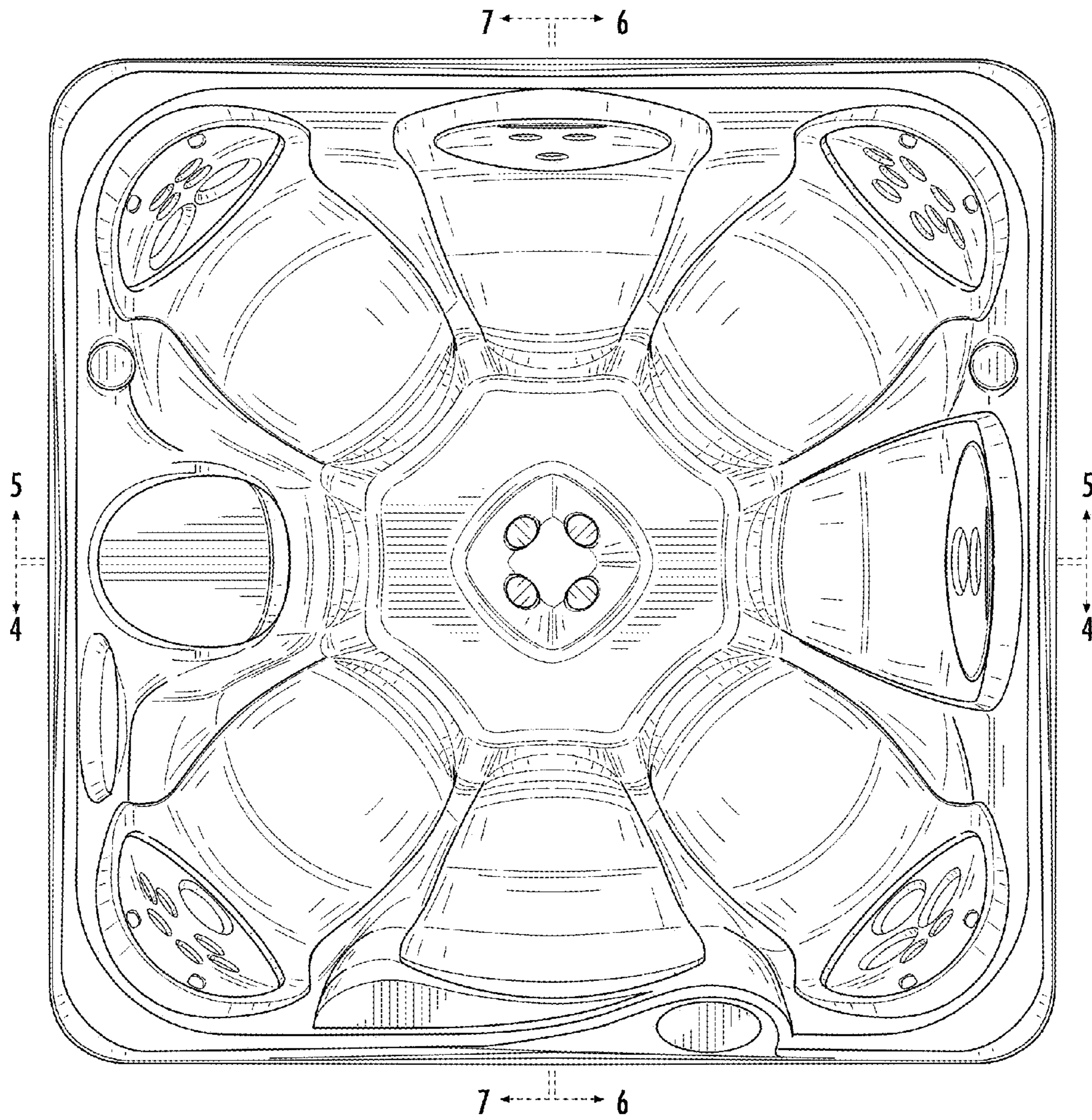


FIG. 3

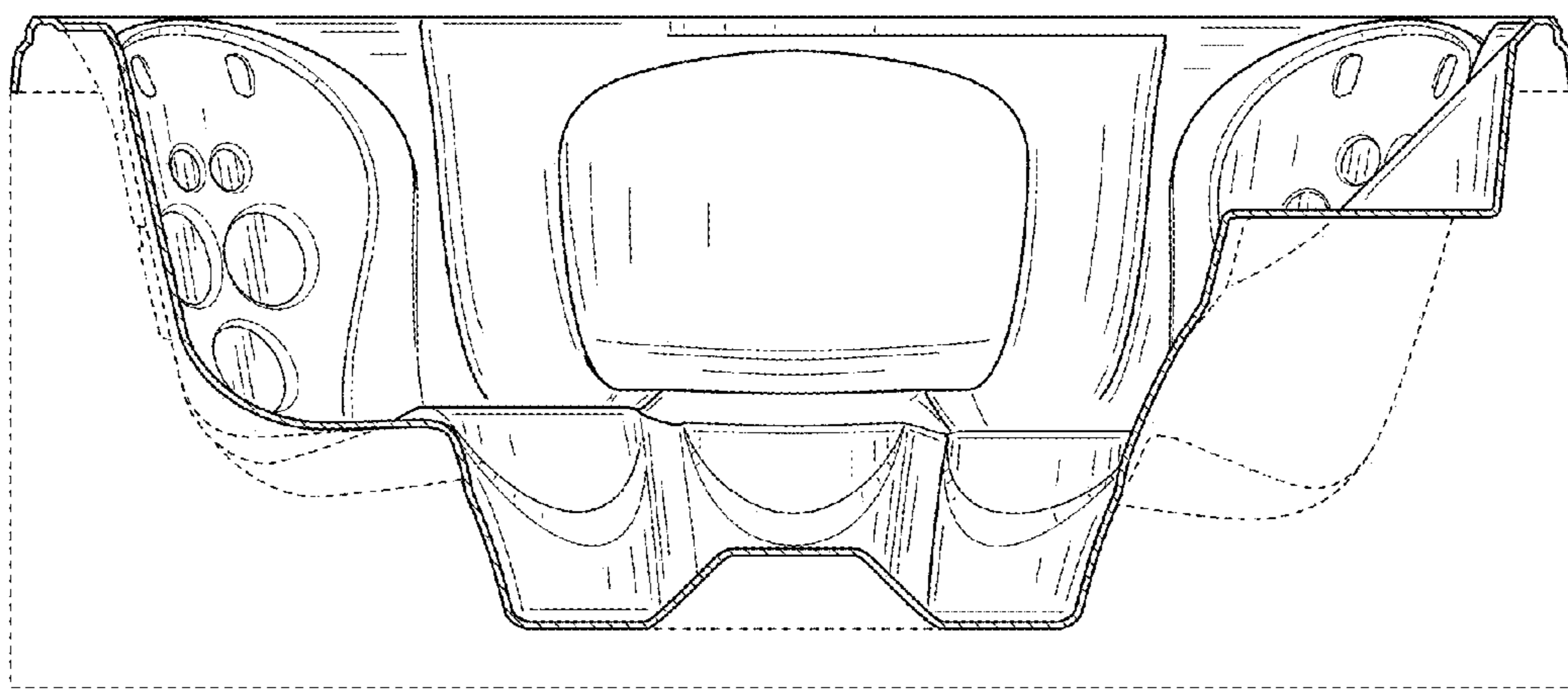


FIG. 4

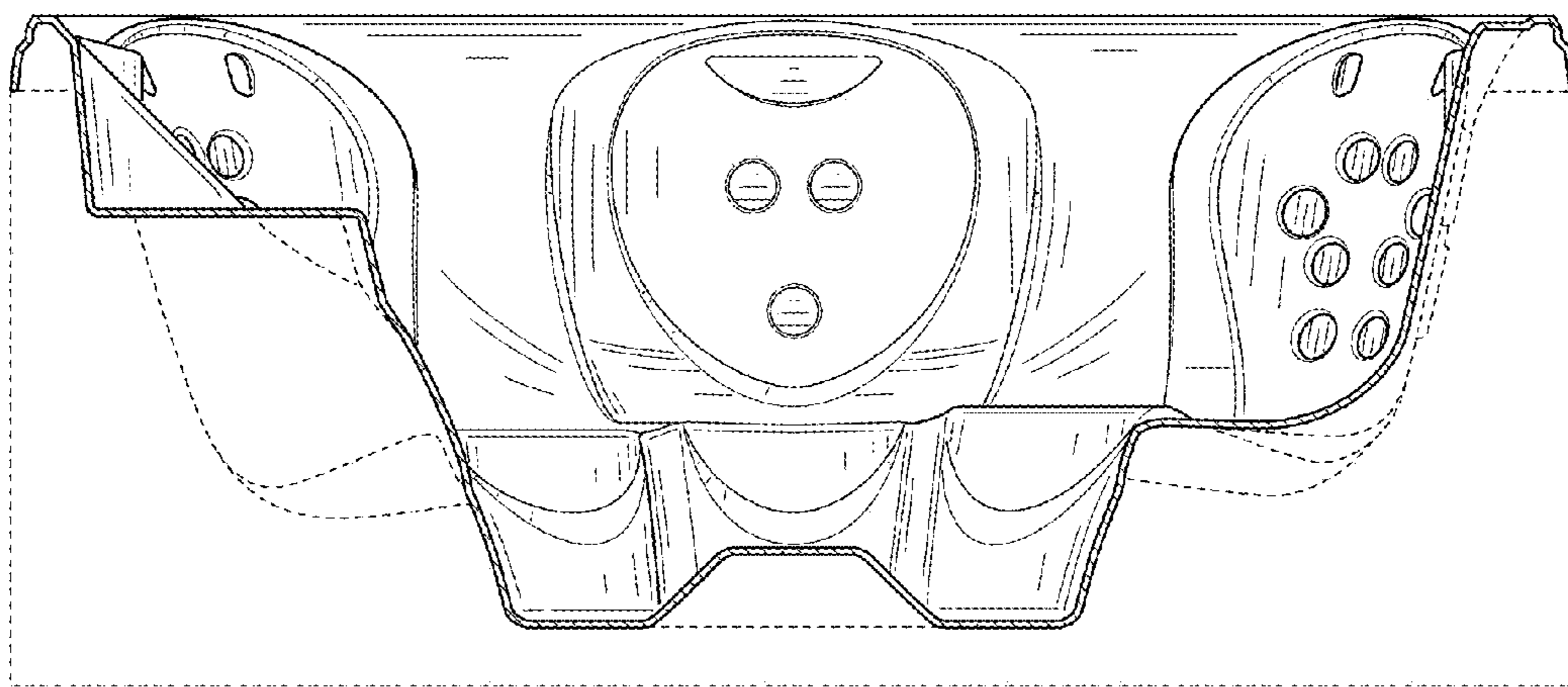


FIG. 5

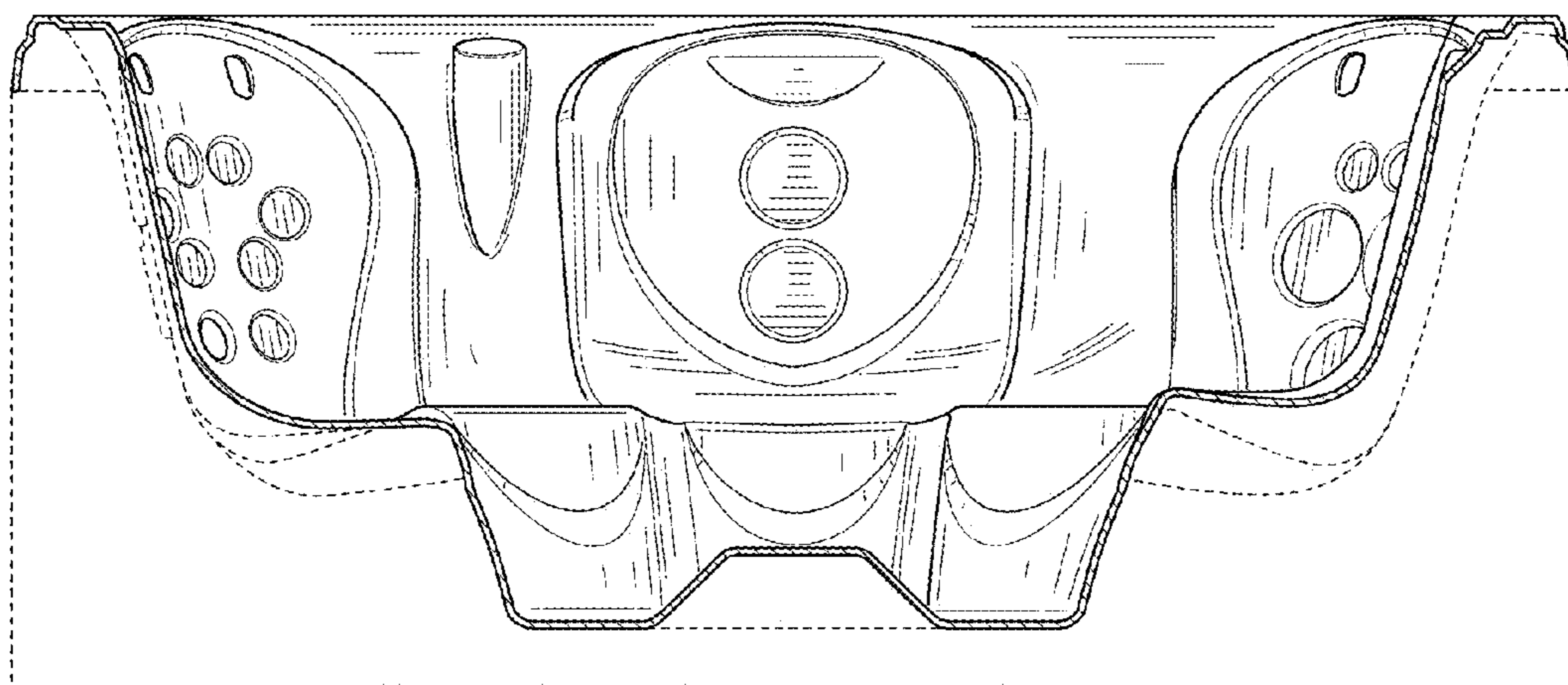


FIG. 6

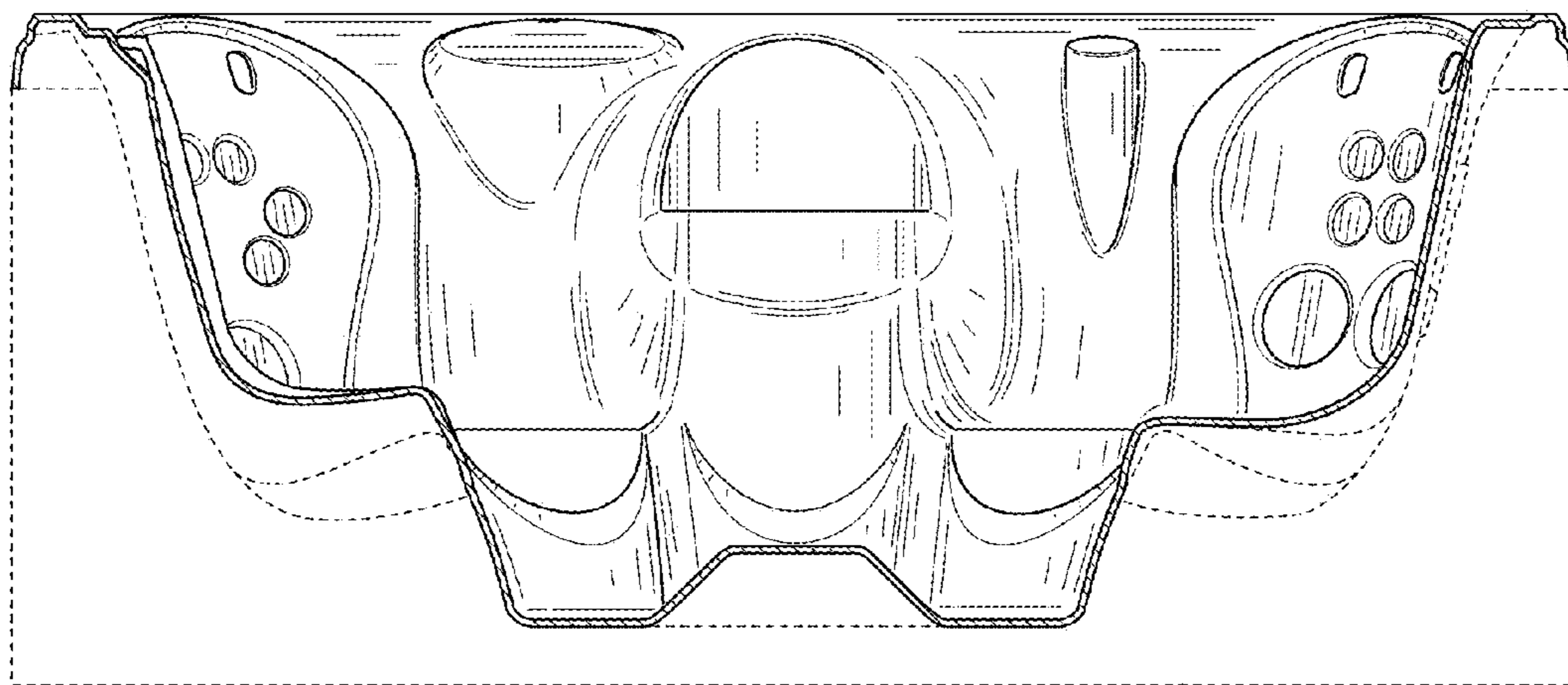


FIG. 7