



US00D759831S

(12) **United States Design Patent**  
**Levi et al.**

(10) **Patent No.:** **US D759,831 S**  
(45) **Date of Patent:** **\*\* Jun. 21, 2016**

- (54) **FACIAL TREATMENT DEVICE**
- (71) Applicants: **BenZion Levi**, Kibbutz Habonim (IL);  
**Moshe Marciano**, Galya (IL)
- (72) Inventors: **BenZion Levi**, Kibbutz Habonim (IL);  
**Moshe Marciano**, Galya (IL)
- (73) Assignee: **Home Skinovations Ltd.**, Yokneam (IL)
- (\*\*) Term: **14 Years**
- (21) Appl. No.: **29/515,615**
- (22) Filed: **Jan. 25, 2015**
- (51) **LOC (10) Cl.** ..... **28-03**
- (52) **U.S. Cl.**  
USPC ..... **D24/200**
- (58) **Field of Classification Search**  
USPC ..... D24/200, 206, 209, 211, 212, 214, 215;  
D4/102, 127  
CPC ..... A61H 7/00; A61H 7/001; A61H 7/003;  
A61H 7/004; A61H 7/005; A61H 7/007;  
A61H 7/008; A61H 15/00; A61H 15/0078;  
A61H 15/0085; A61H 2015/0007; A61H  
2015/0042; A61H 2015/005; A61H  
2015/0071; A61H 39/002; A61H 2201/10;  
A61H 15/0092; A61H 2201/0153; A61H  
2201/1253; A61H 2205/022; A61H  
2015/0014; A61N 1/18; A61N 2007/0034;  
A61N 2005/0644; A61N 2005/0662; A61N  
5/0616; A61B 18/203; A61B 2018/00452;  
A61B 2017/00747; Y10S 601/01; Y10S  
601/03; Y10S 601/04; Y10S 601/05; Y10S  
601/14; Y10S 601/15  
See application file for complete search history.

D652,919	S	*	1/2012	Sherwood	.....	D24/133
D655,012	S	*	2/2012	Nanda	.....	D24/176
D687,156	S	*	7/2013	Yamamoto	.....	D24/209
D695,903	S	*	12/2013	Tamsiran	.....	D24/209
D696,778	S	*	12/2013	Liao	.....	D24/133
D708,440	S	*	7/2014	Owen	.....	D4/102
2004/0236254	A1	*	11/2004	Nichols	.....	A61H 9/005 601/6
2007/0038206	A1	*	2/2007	Altshuler	.....	A46B 15/0036 606/20
2011/0152977	A1	*	6/2011	Sueyoshi	.....	A61B 18/203 607/90
2012/0016379	A1	*	1/2012	Kay	.....	A61B 17/54 606/131
2013/0331913	A1	*	12/2013	Levi	.....	A61B 18/14 607/88

**FOREIGN PATENT DOCUMENTS**

CN	WO 2013132364	A1	*	9/2013	.....	A47K 7/04
CN	302664939		*	11/2013		
DE	EP 1764010	A1	*	3/2007	.....	A61B 17/54

\* cited by examiner

*Primary Examiner* — Catherine Oliver  
*Assistant Examiner* — Rebekah Caruso  
(74) *Attorney, Agent, or Firm* — Dekel Patent Ltd.; David Klein

(57) **CLAIM**  
The ornamental design for a facial treatment device, as shown and described.

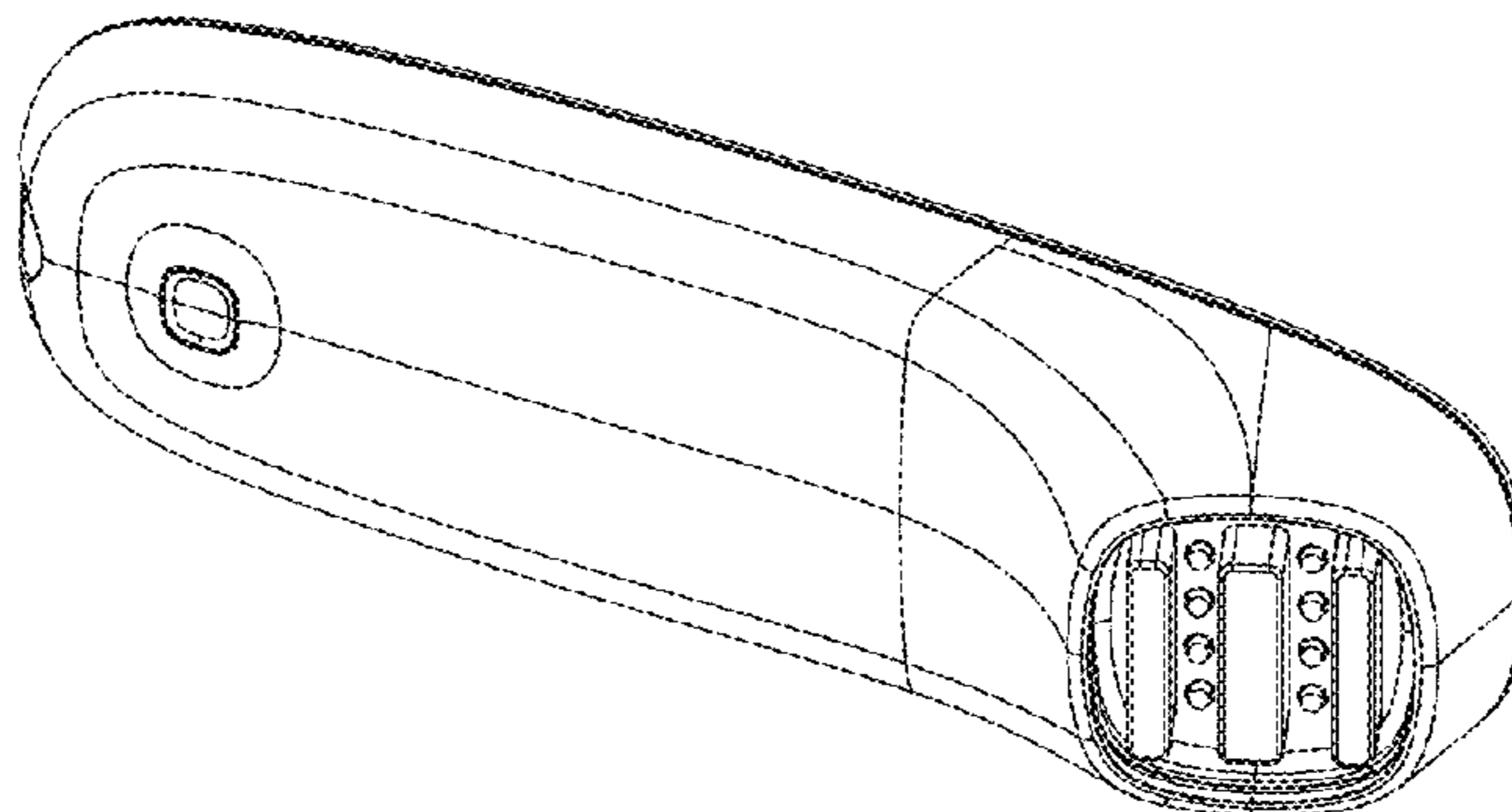
**DESCRIPTION**

FIG. 1 is a right side view of a facial treatment device, showing my new design, wherein the top surface is facing downwards;  
FIG. 2 is a rear view thereof;  
FIG. 3 is a bottom view thereof;  
FIG. 4 is a front view thereof;  
FIG. 5 is a left side view thereof, wherein the top surface is facing upwards;  
FIG. 6 is a top view thereof;  
FIG. 7 is a bottom perspective view thereof; and,  
FIG. 8 is a top perspective view thereof. The nature and intended use of the article in which the design is embodied is that of a facial treatment device.

**1 Claim, 2 Drawing Sheets**

(56) **References Cited**  
U.S. PATENT DOCUMENTS

D347,283	S	*	5/1994	Von Winckler	.....	D24/200
D366,703	S	*	1/1996	Huen	.....	D13/108
D425,241	S	*	5/2000	Nishizawa	.....	D28/9
D621,950	S	*	8/2010	Seki	.....	D24/107



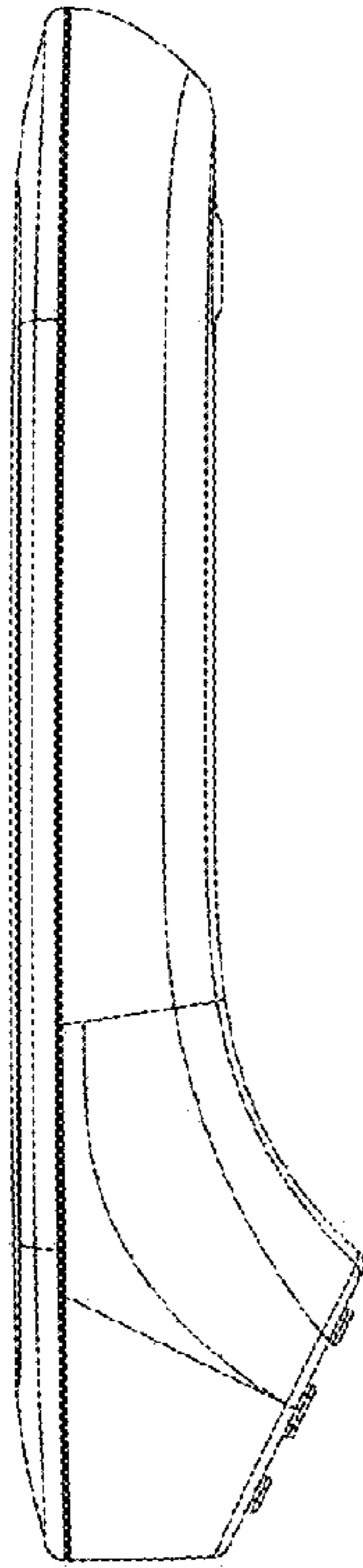


FIG. 1

FIG. 2

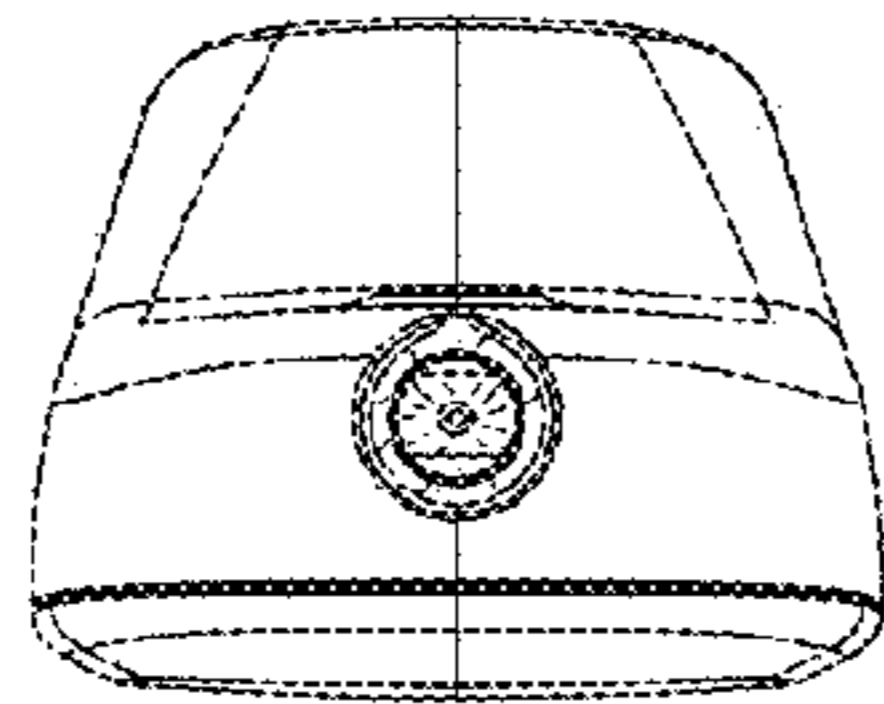


FIG. 3

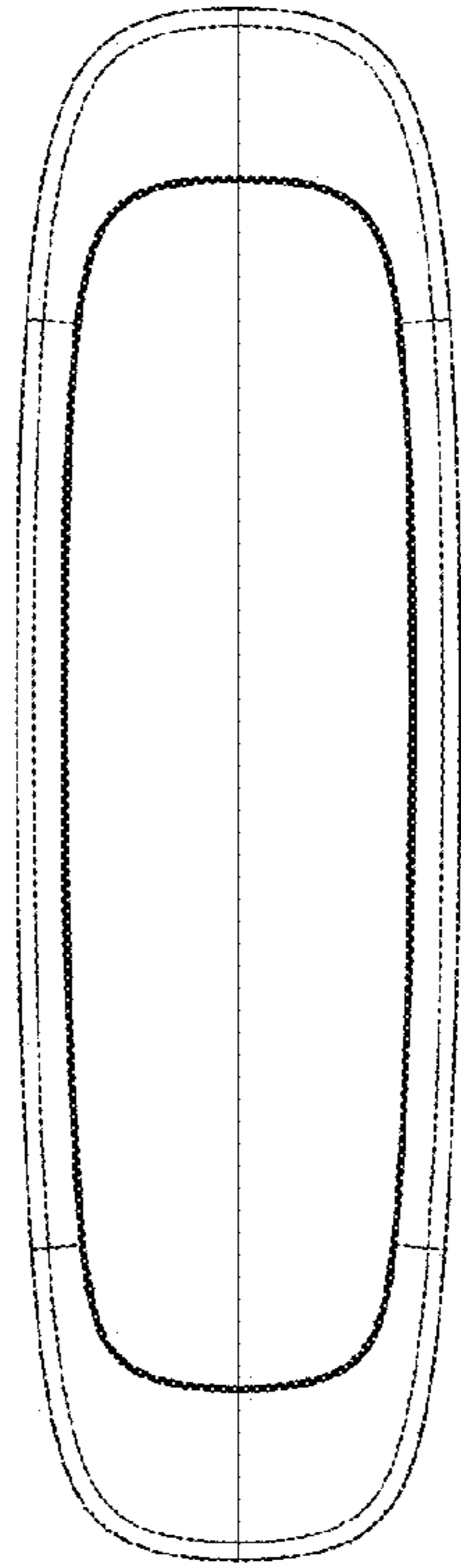


FIG. 4

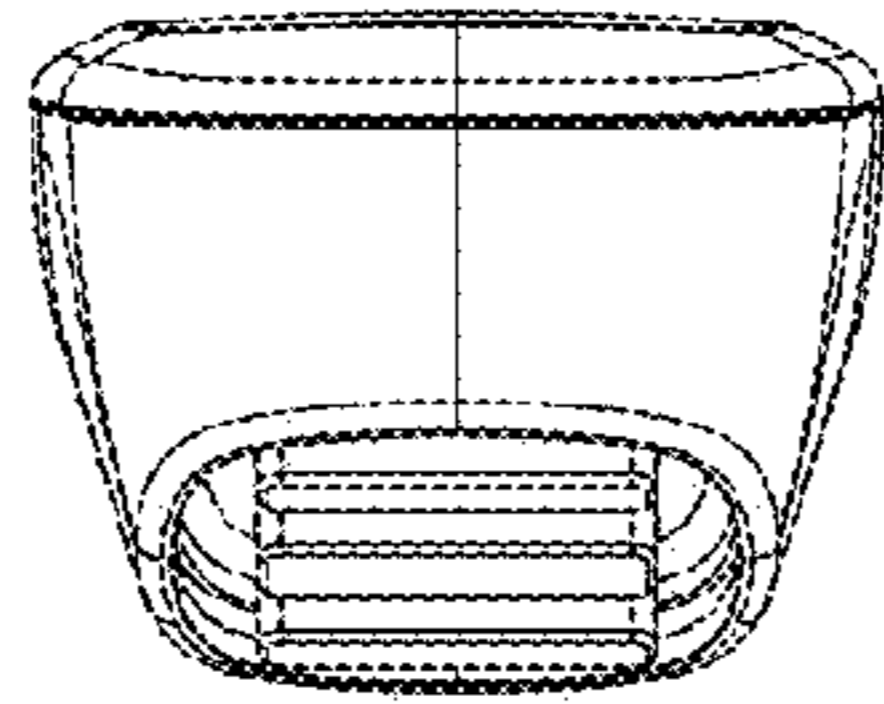


FIG. 5

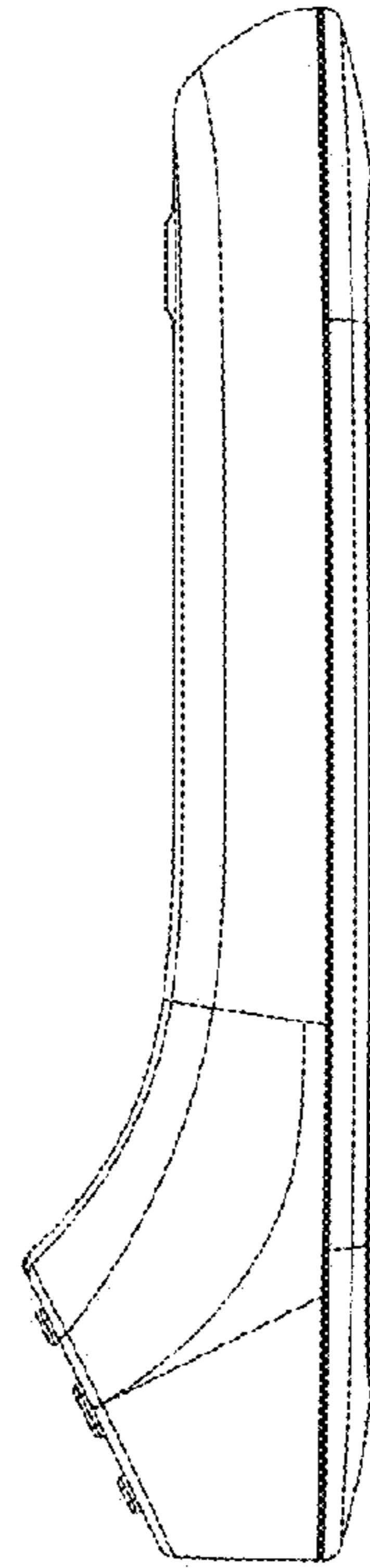
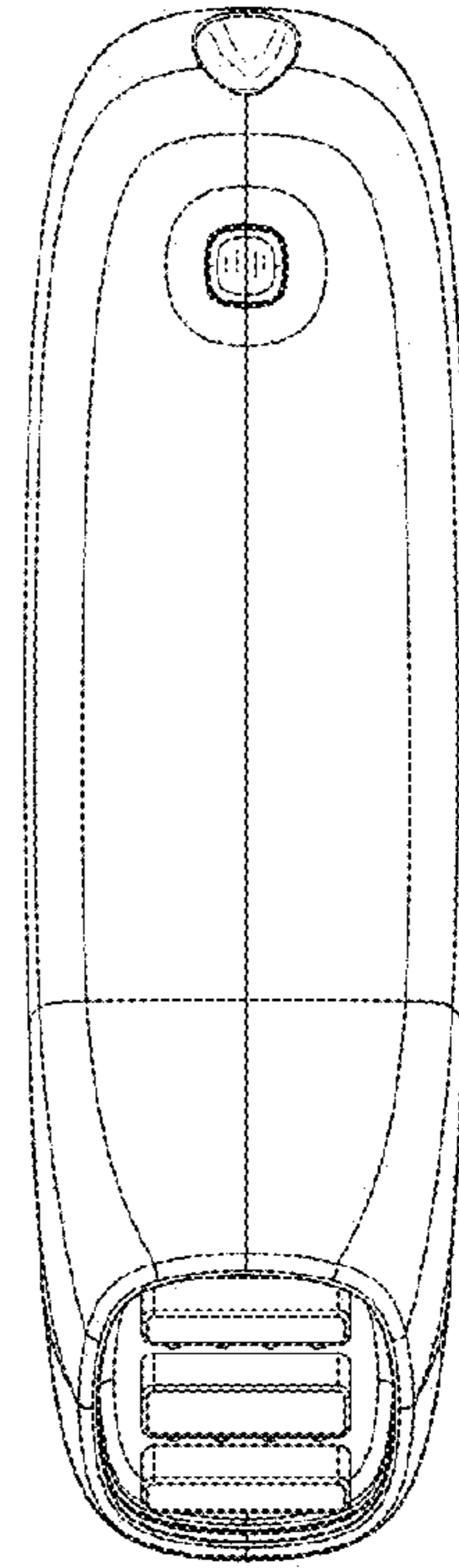


FIG. 6



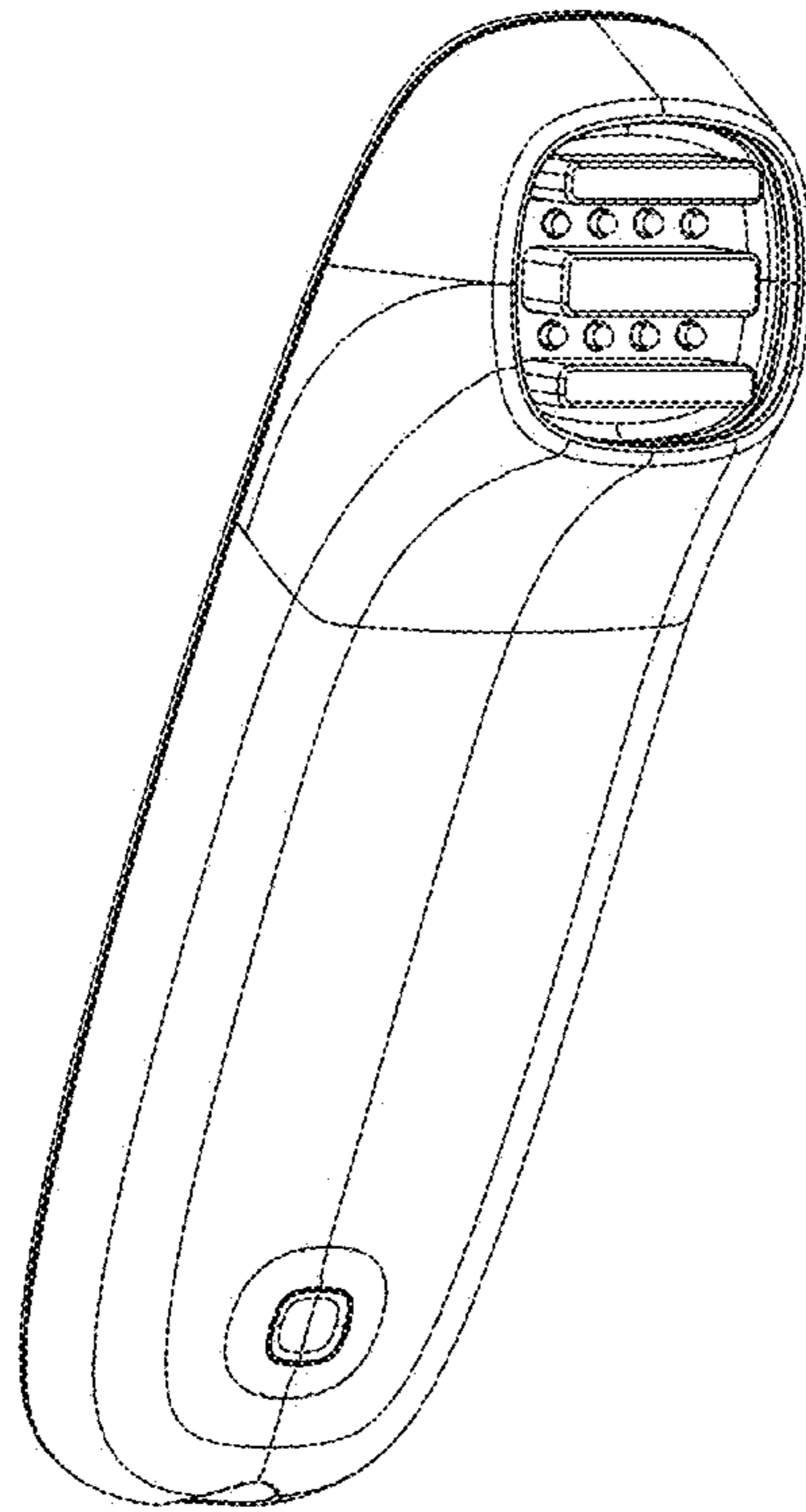


FIG. 8

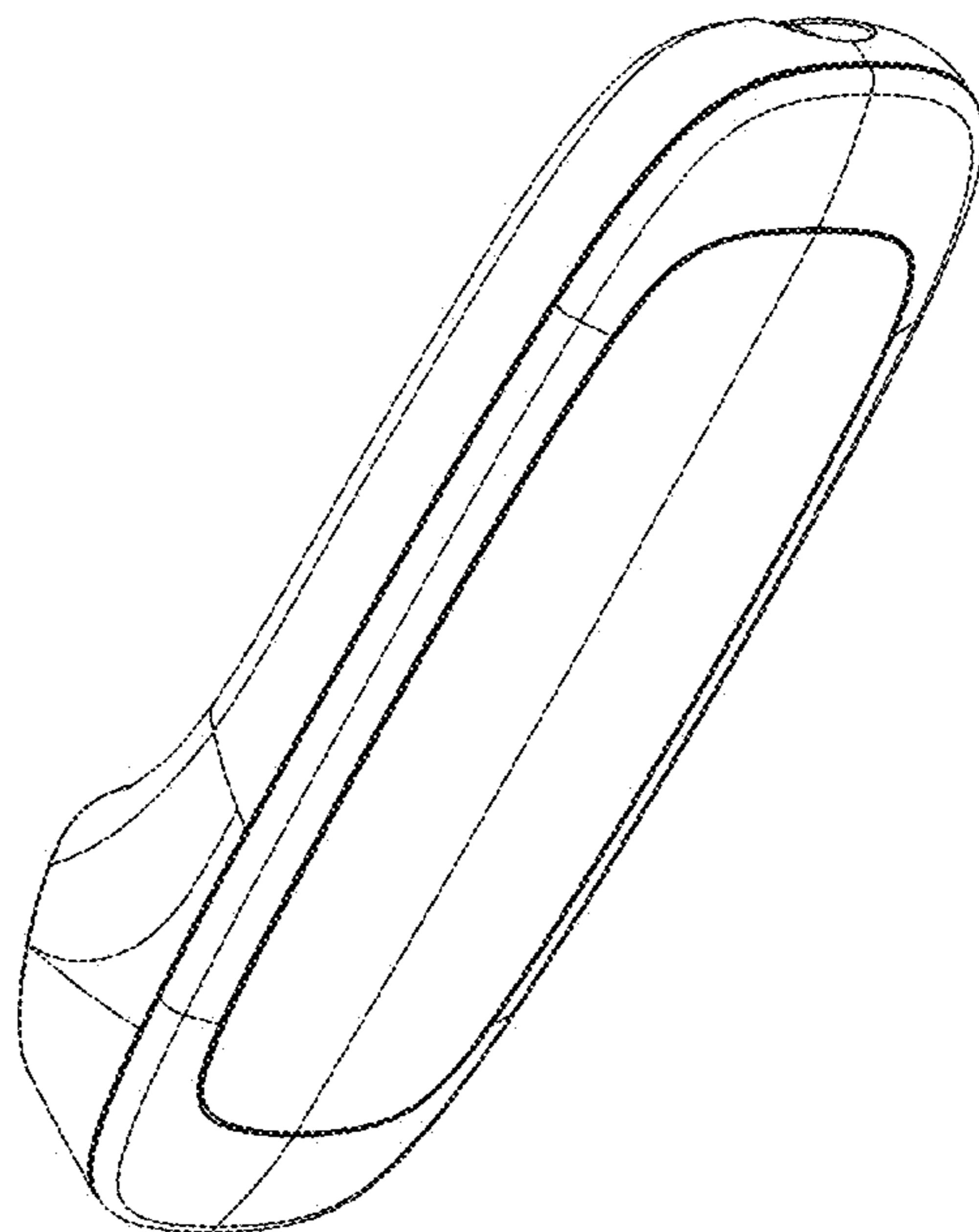


FIG. 7