

US00D759829S

(12) **United States Design Patent**
Ben Noon

(10) **Patent No.:** **US D759,829 S**
(45) **Date of Patent:** **** Jun. 21, 2016**

(54) **COMPRESSION THERAPY TROUSERS**

(71) Applicant: **Mego Afek AC Ltd., Afek (IL)**

(72) Inventor: **Asher Ben Noon, Carmiel (IL)**

(73) Assignee: **MEGO AFEK AC LTD., Kibbutz Afek (IL)**

(**) Term: **14 Years**

(21) Appl. No.: **29/491,990**

(22) Filed: **May 27, 2014**

(51) **LOC (10) Cl.** **24-04**

(52) **U.S. Cl.**
USPC **D24/200**

(58) **Field of Classification Search**
USPC D24/188-190, 200, 206, 215; 601/151;
602/13, 14, 19, 23, 53, 60, 61, 77, 202;
607/108, 112; 128/845, 846, 869, 873
CPC A61F 5/01; A61F 5/02; A61F 5/30;
A61F 5/34; A61F 5/022; A61F 5/026; A61F
5/028; A61F 5/0193; A61F 7/02; A63B
21/0004; A63B 21/0552; A41D 13/1236;
A41D 13/1254; A41D 13/1281

See application file for complete search history.

(56) **References Cited**

U.S. PATENT DOCUMENTS

1,074,846	A *	10/1913	Dickman et al. ...	A63B 21/0552	482/124
D472,640	S *	4/2003	Crowe	D24/200	
D559,393	S *	1/2008	Schirmacher	D24/190	
7,785,282	B2 *	8/2010	Rauch	A61F 5/022	128/846
7,803,127	B2 *	9/2010	Giesen	A61F 5/026	128/846
D728,111	S *	4/2015	Walmsley	D24/190	

2001/0047145	A1 *	11/2001	Zigmont	A61F 5/02	602/61
2002/0042585	A1 *	4/2002	Kloecker	A61F 5/34	602/13
2007/0027419	A1 *	2/2007	Drennan	A61F 5/0193	602/19
2008/0091097	A1 *	4/2008	Linti	A41D 13/1281	600/389
2011/0196458	A1 *	8/2011	Bratcher, Jr.	A61F 7/02	607/108
2014/0378880	A1 *	12/2014	Arsenault	A61F 5/028	602/14
2015/0258362	A1 *	9/2015	Cornish	A63B 21/0004	482/124

* cited by examiner

Primary Examiner — Catheri Oliver-Garcia

Assistant Examiner — Rebekah Caruso

(57) **CLAIM**

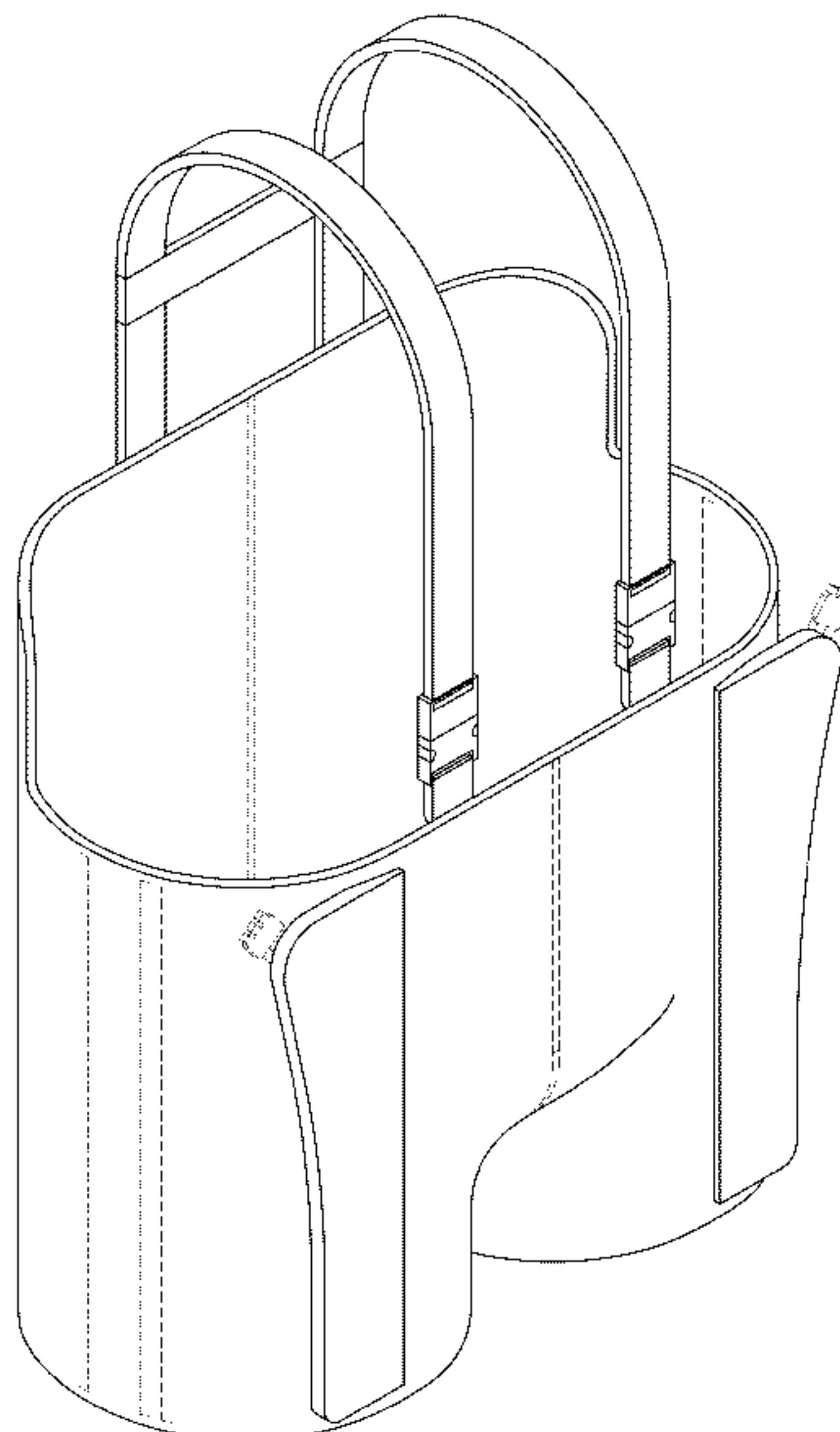
The ornamental design for compression therapy trousers, as shown and described.

DESCRIPTION

FIG. 1 is a front perspective view from the right side of the trousers showing the new design;
 FIG. 2 is a front perspective view from the left side of the trousers in FIG. 1;
 FIG. 3 is a rear perspective view from the right side of the trousers in FIG. 1;
 FIG. 4 is a rear perspective view from the left side of the trousers in FIG. 1;
 FIG. 5 is a front view of the trousers in FIG. 1;
 FIG. 6 is a right side view of the trousers in FIG. 1;
 FIG. 7 is a rear view of the trousers in FIG. 1;
 FIG. 8 is a top view of the trousers in FIG. 1; and,
 FIG. 9 is a bottom view of the trousers in FIG. 1.

All broken lines in the drawing views are included for the purpose of illustrating portions of the trousers that form no part of the claimed design.

1 Claim, 9 Drawing Sheets



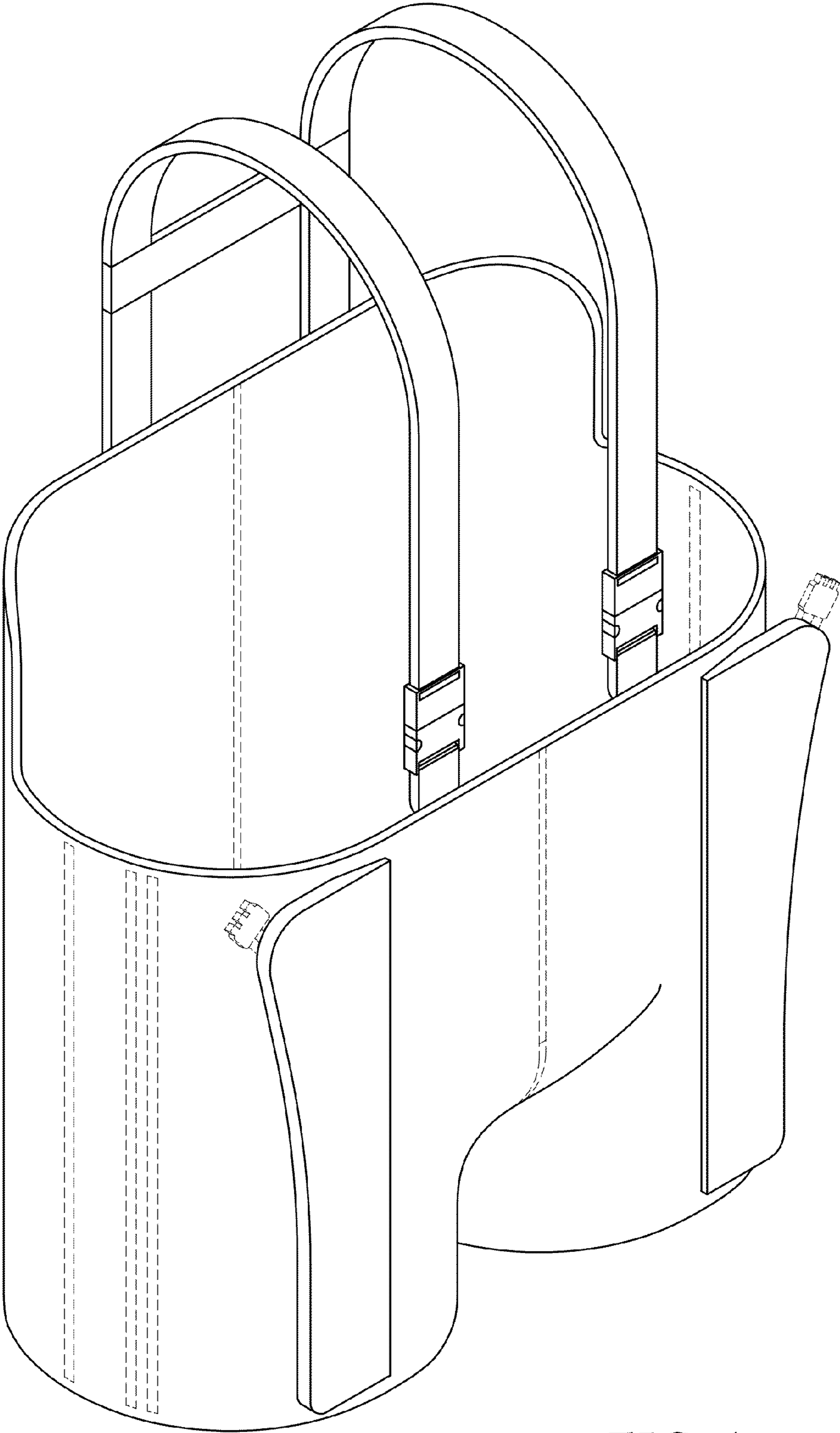


FIG. 1

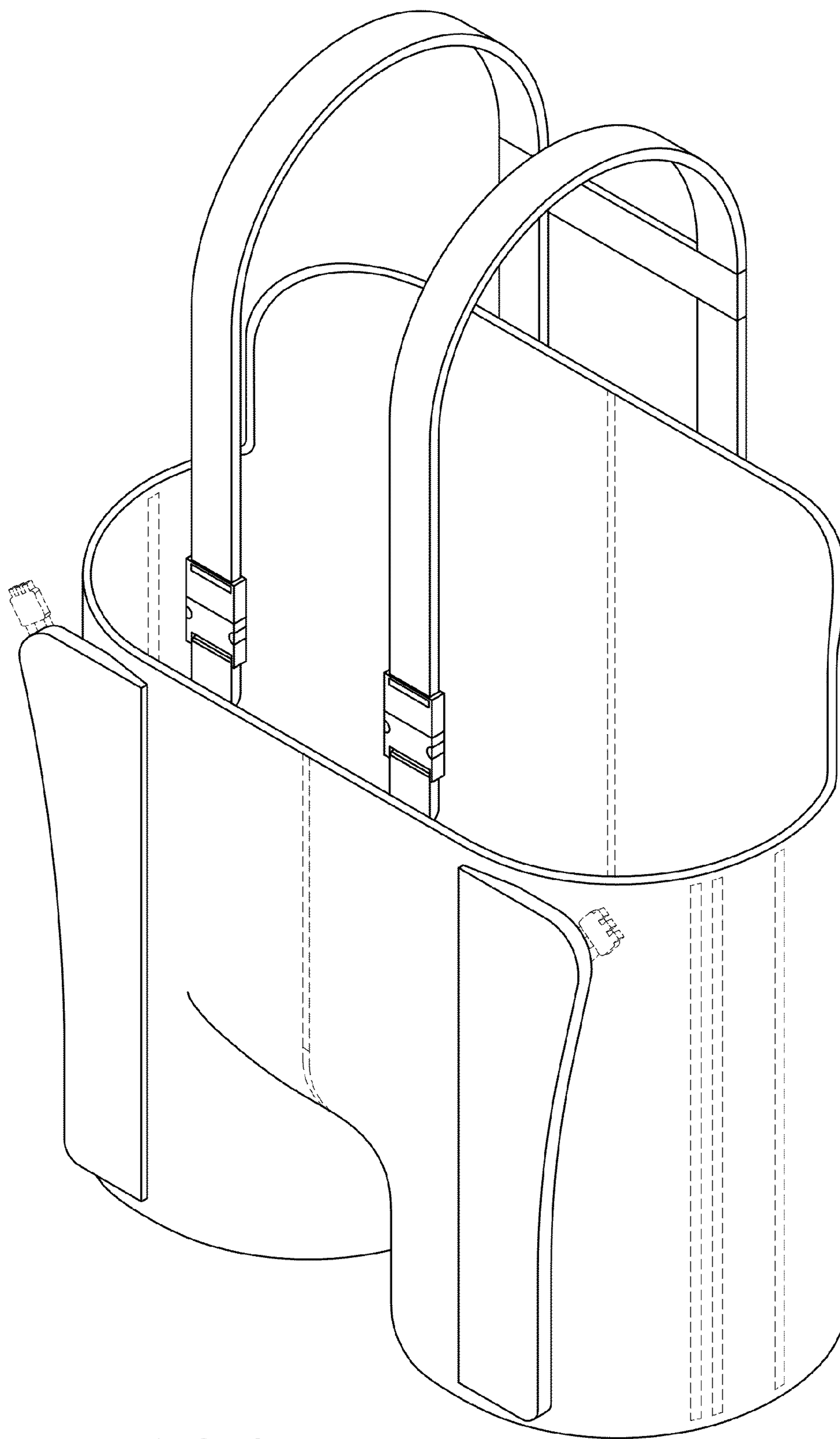


FIG. 2

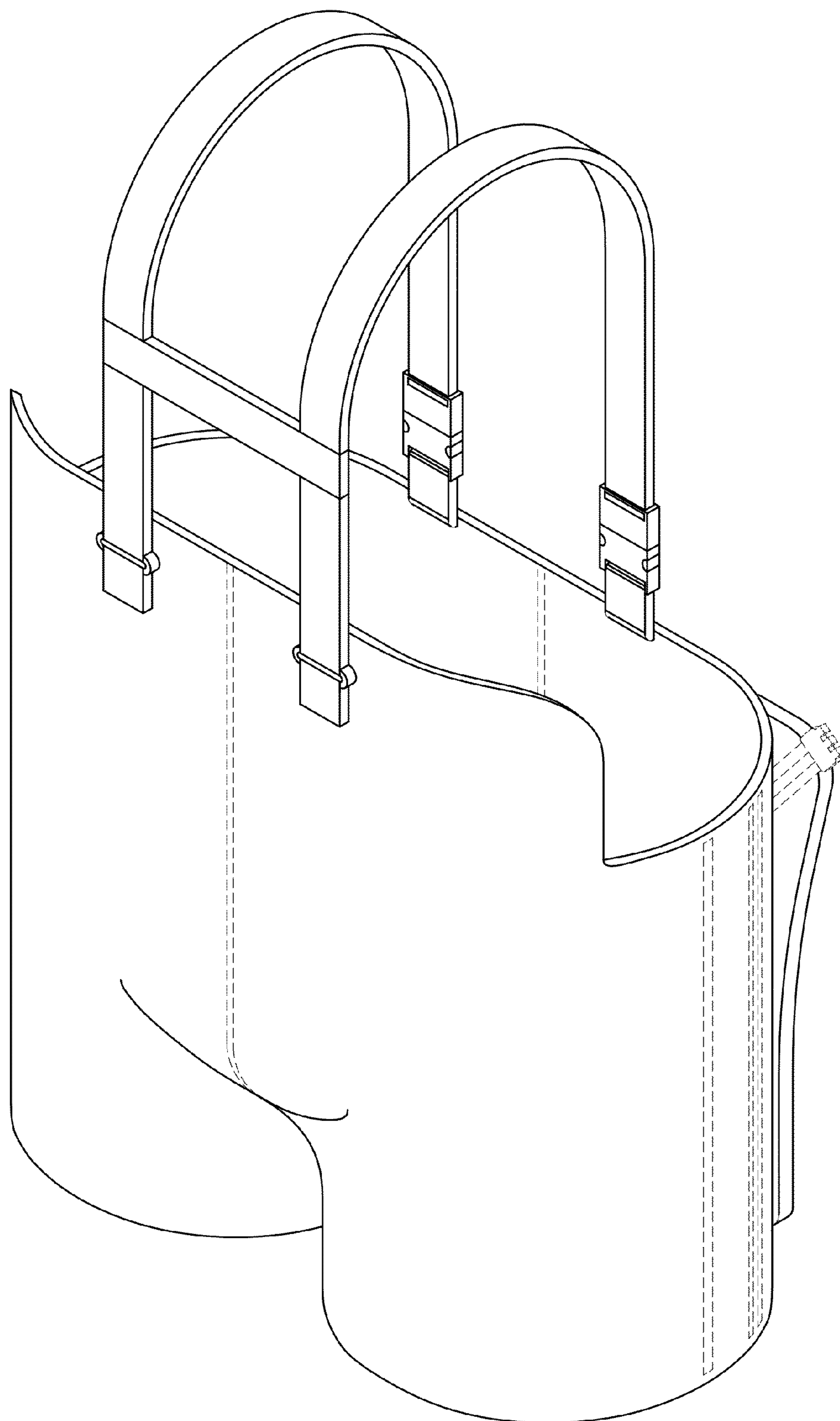


FIG. 3

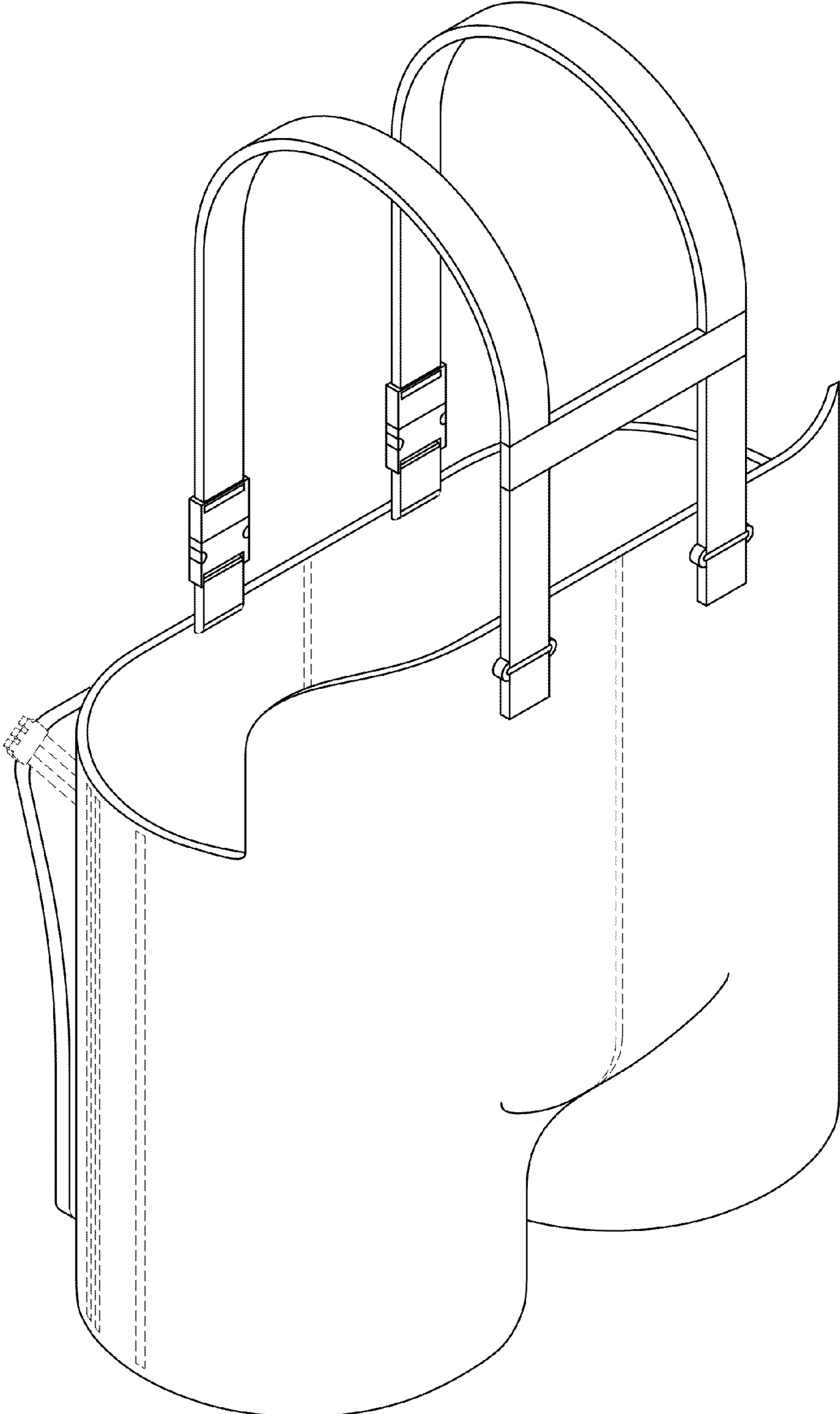


FIG. 4

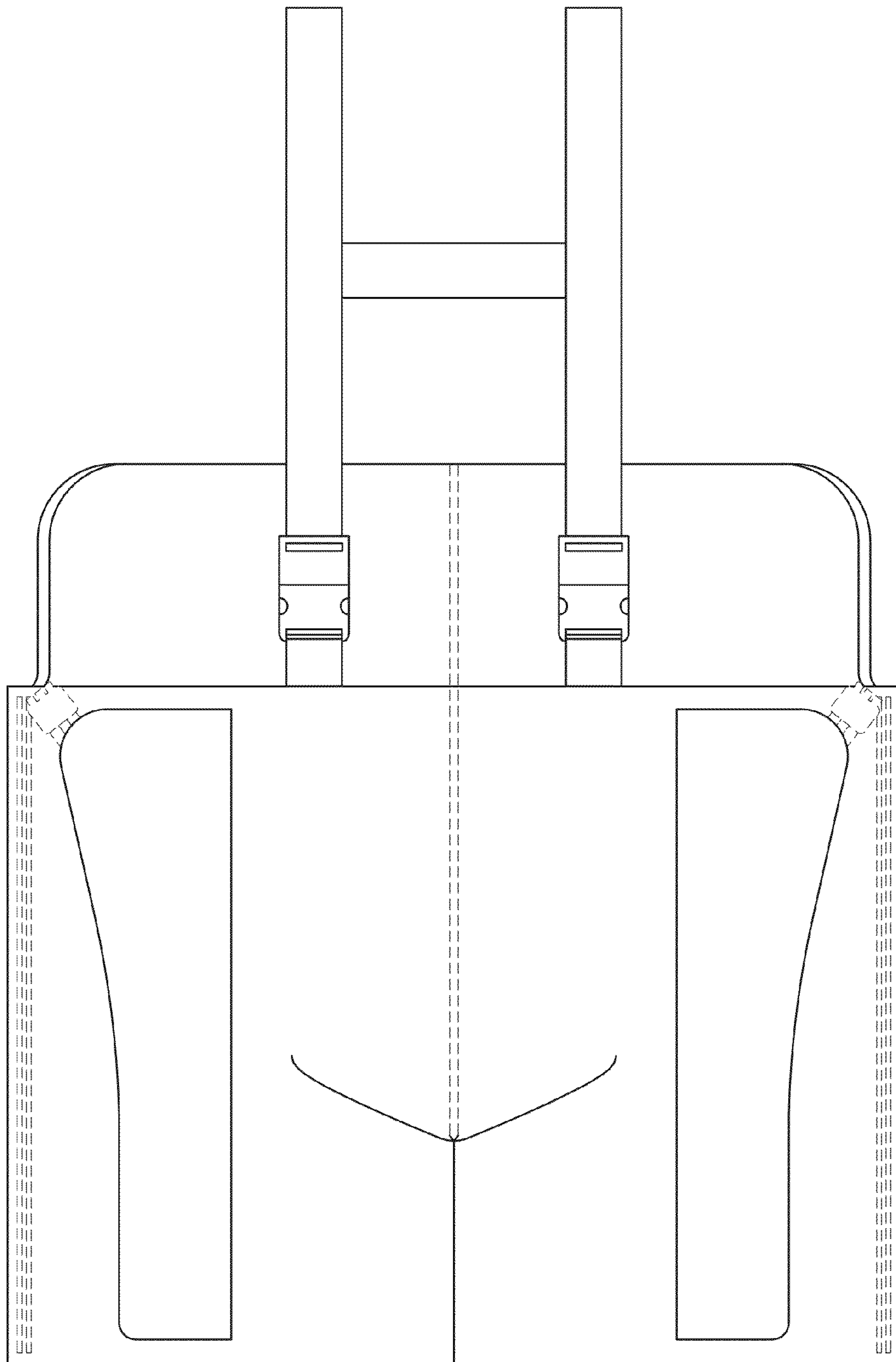


FIG. 5

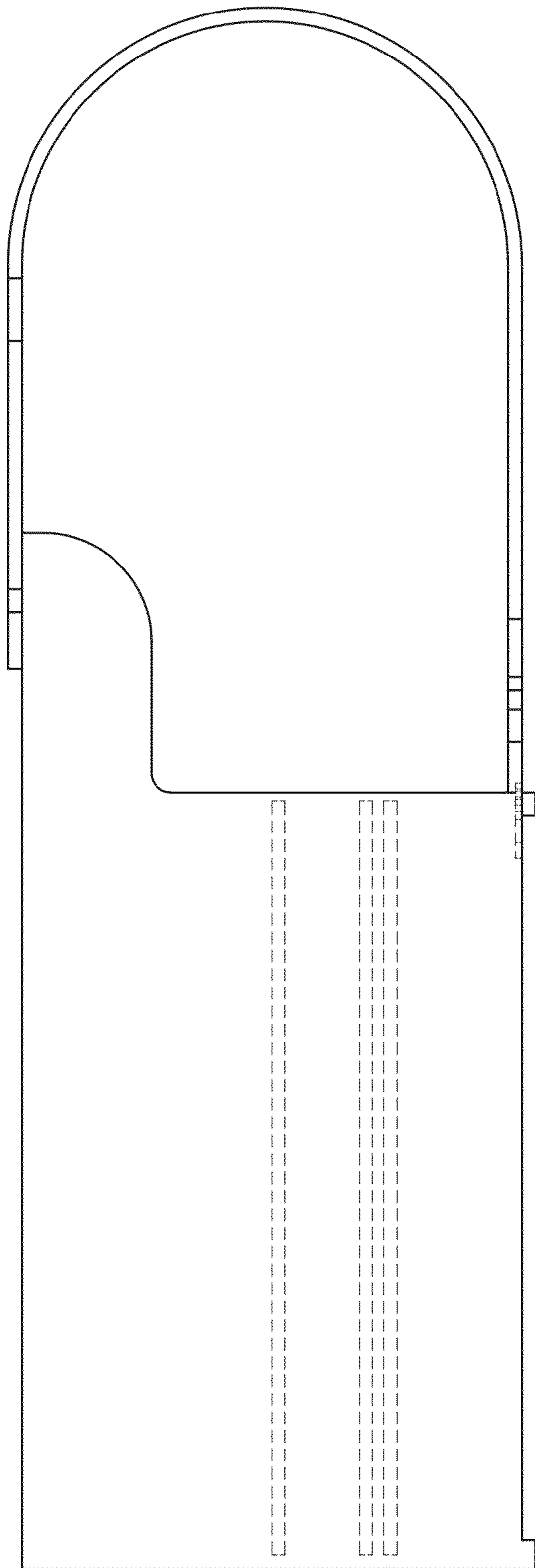


FIG. 6

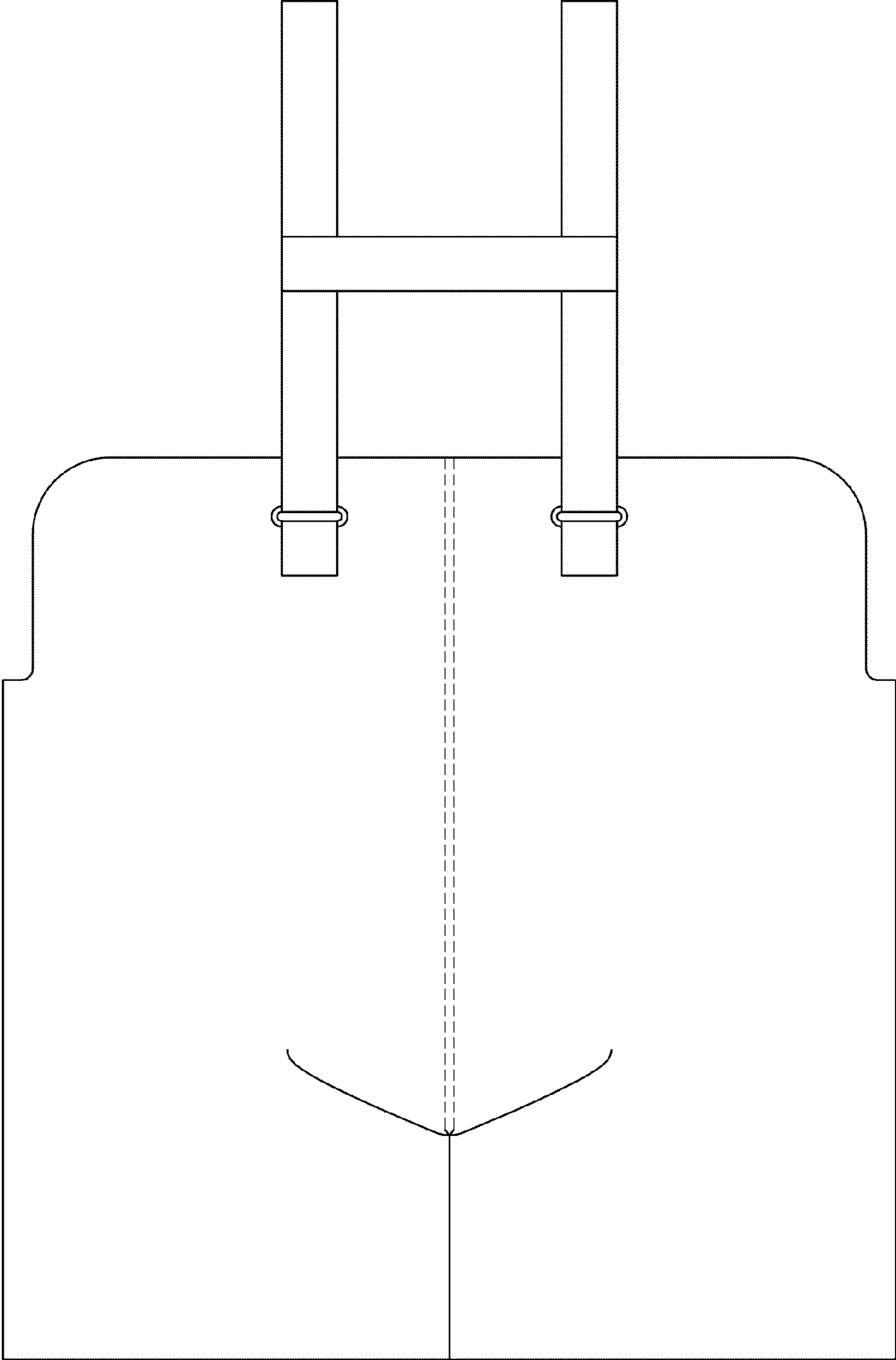


FIG. 7

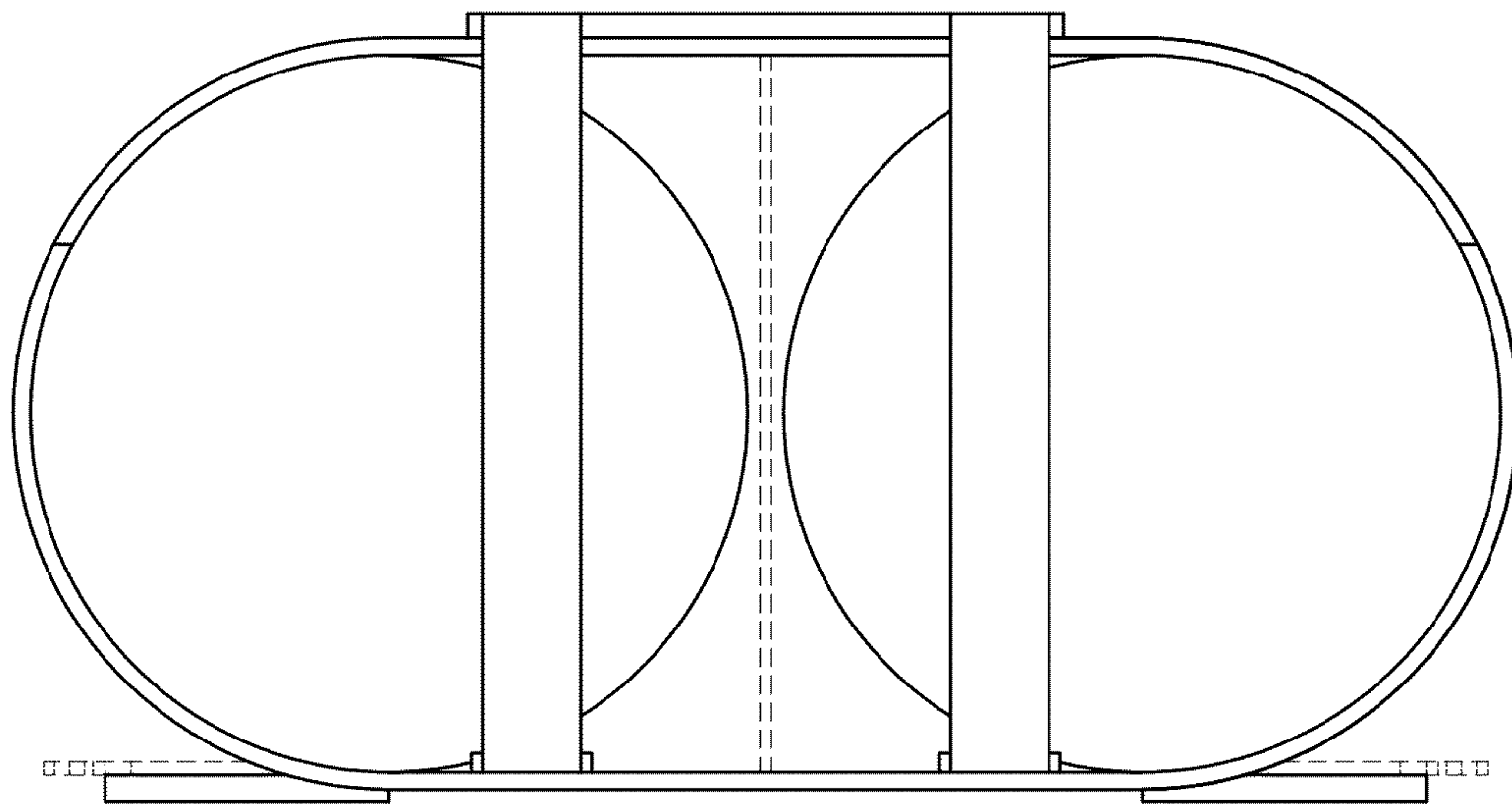


FIG. 8

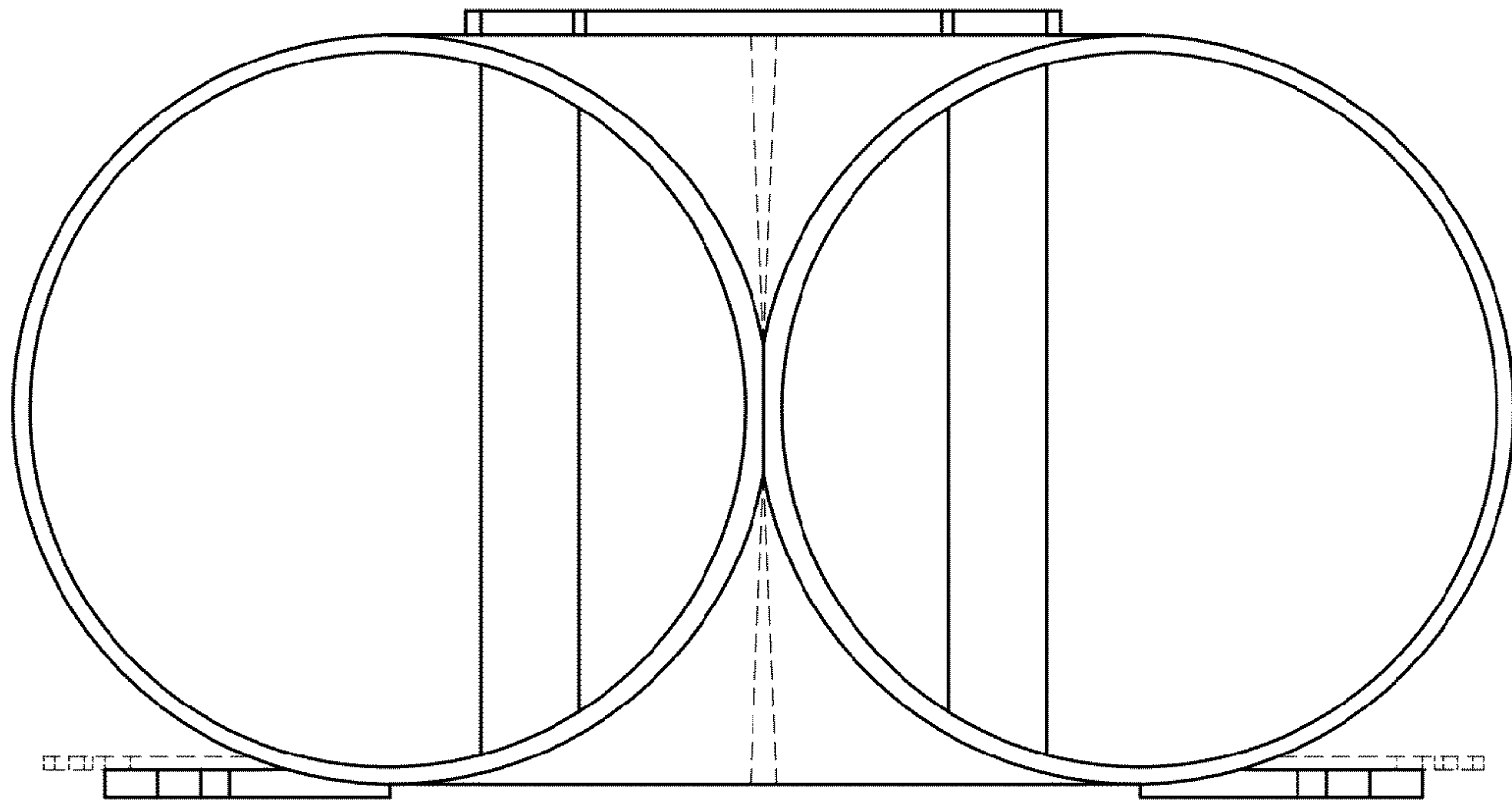


FIG. 9