



US00D759823S

(12) **United States Design Patent**  
**Wai**

(10) **Patent No.:** **US D759,823 S**  
(45) **Date of Patent:** **\*\* Jun. 21, 2016**

- (54) **EAR PIECE**
- (71) Applicant: **Victor K. Wai**, Siu Lam NT (HK)
- (72) Inventor: **Victor K. Wai**, Siu Lam NT (HK)
- (\*\*) Term: **14 Years**
- (21) Appl. No.: **29/495,411**
- (22) Filed: **Jun. 30, 2014**
- (51) **LOC (10) Cl.** ..... **24-99**
- (52) **U.S. Cl.**  
USPC ..... **D24/174**
- (58) **Field of Classification Search**  
USPC ..... D24/173-175; D14/205, 223-226, 249  
CPC .. H04R 2225/025; H04R 25/60; H04R 25/63;  
H04R 25/67; H04R 25/602; H04R 25/604;  
H04R 25/608; H04R 25/65; H04R 25/652  
See application file for complete search history.

D584,719 S *	1/2009	Brennwald	.....	D14/205
D603,516 S *	11/2009	Mori	.....	D24/174
D611,607 S *	3/2010	Mori	.....	D24/174
D629,397 S *	12/2010	Hensen	.....	D14/223
D632,794 S *	2/2011	Wai	.....	D24/174
D712,881 S *	9/2014	Shaanan	.....	D14/223
2010/0290655 A1 *	11/2010	Takeda	.....	H04R 25/602 381/323

\* cited by examiner

*Primary Examiner* — Anhdao Doan

(74) *Attorney, Agent, or Firm* — Schacht Law Office, Inc.;  
Michael R. Schacht

(57) **CLAIM**

The ornamental design for an ear piece, as shown and described.

**DESCRIPTION**

FIG. 1 is an isometric view of an ear piece showing my new design;  
 FIG. 2 is a front view thereof;  
 FIG. 3 is as right side view thereof;  
 FIG. 4 is a left side view thereof;  
 FIG. 5 is a back view thereof;  
 FIG. 6 is a top view thereof; and,  
 FIG. 7 is a bottom view thereof.

**1 Claim, 3 Drawing Sheets**

(56) **References Cited**

U.S. PATENT DOCUMENTS

D411,885 S *	7/1999	Mavrakis	.....	D24/174
D498,227 S *	11/2004	Dyer	.....	D14/205
D520,496 S *	5/2006	Gwee	.....	D14/205
D541,420 S *	4/2007	Darbut	.....	D24/174

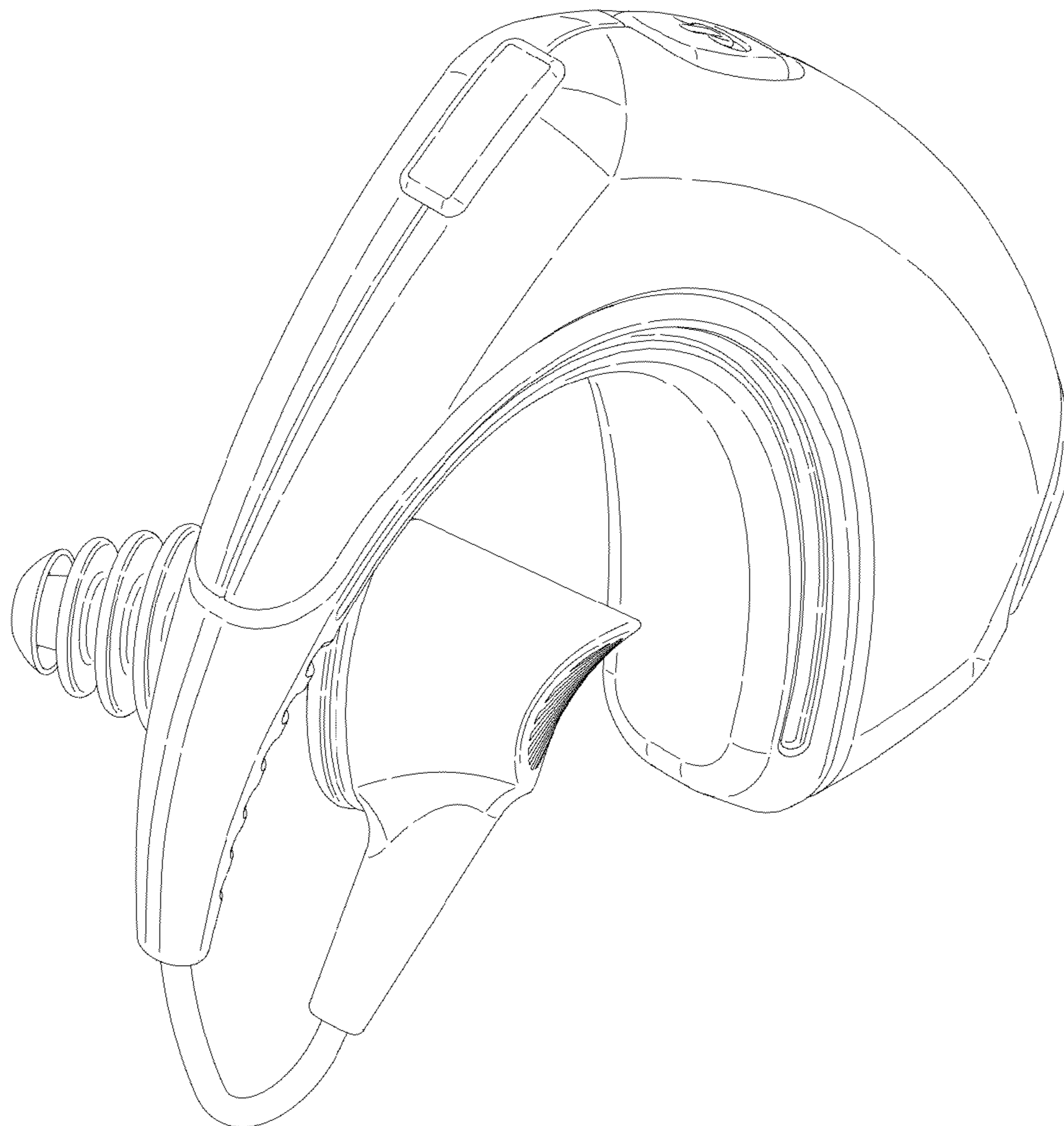


FIG. 1

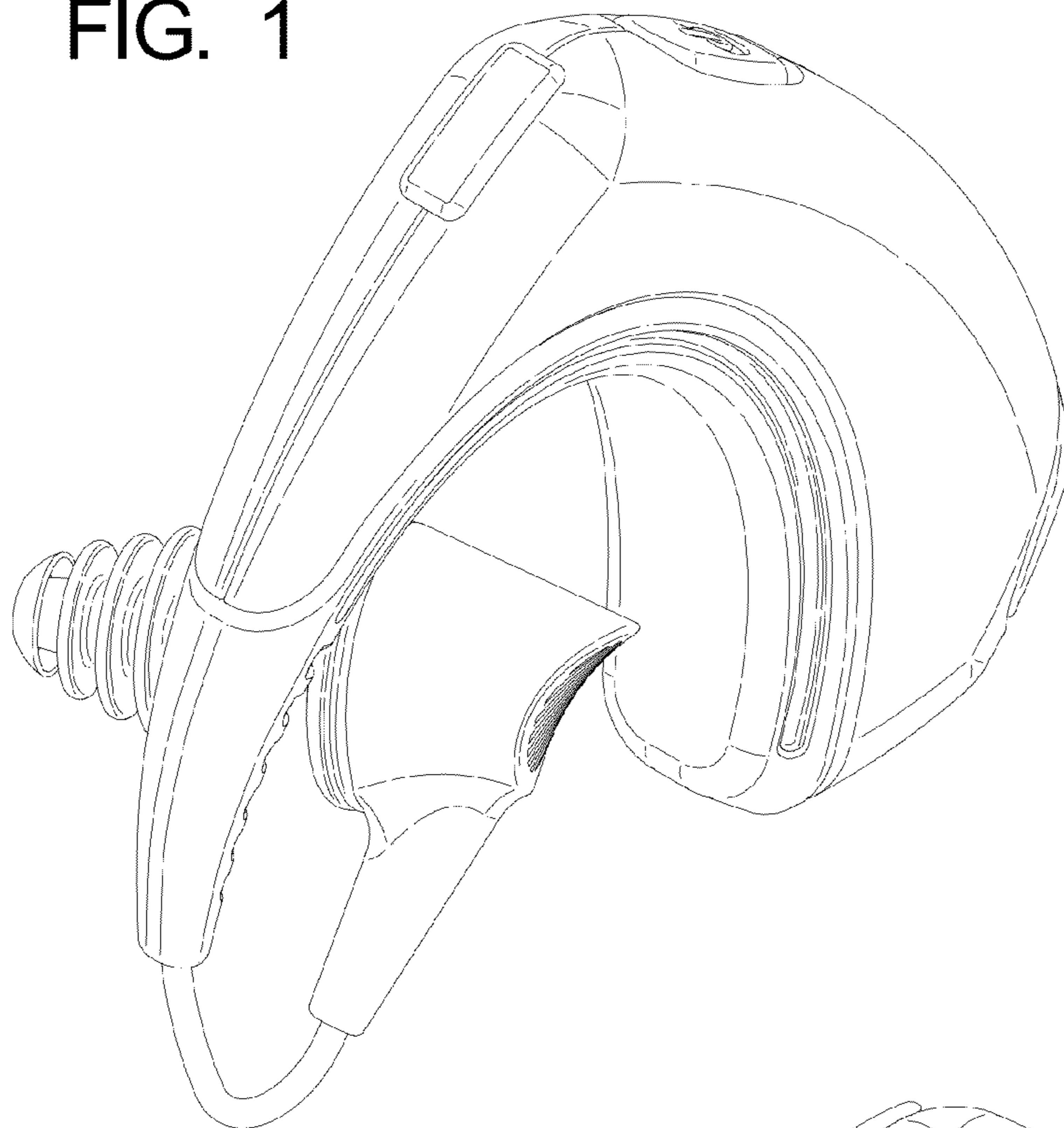


FIG. 2

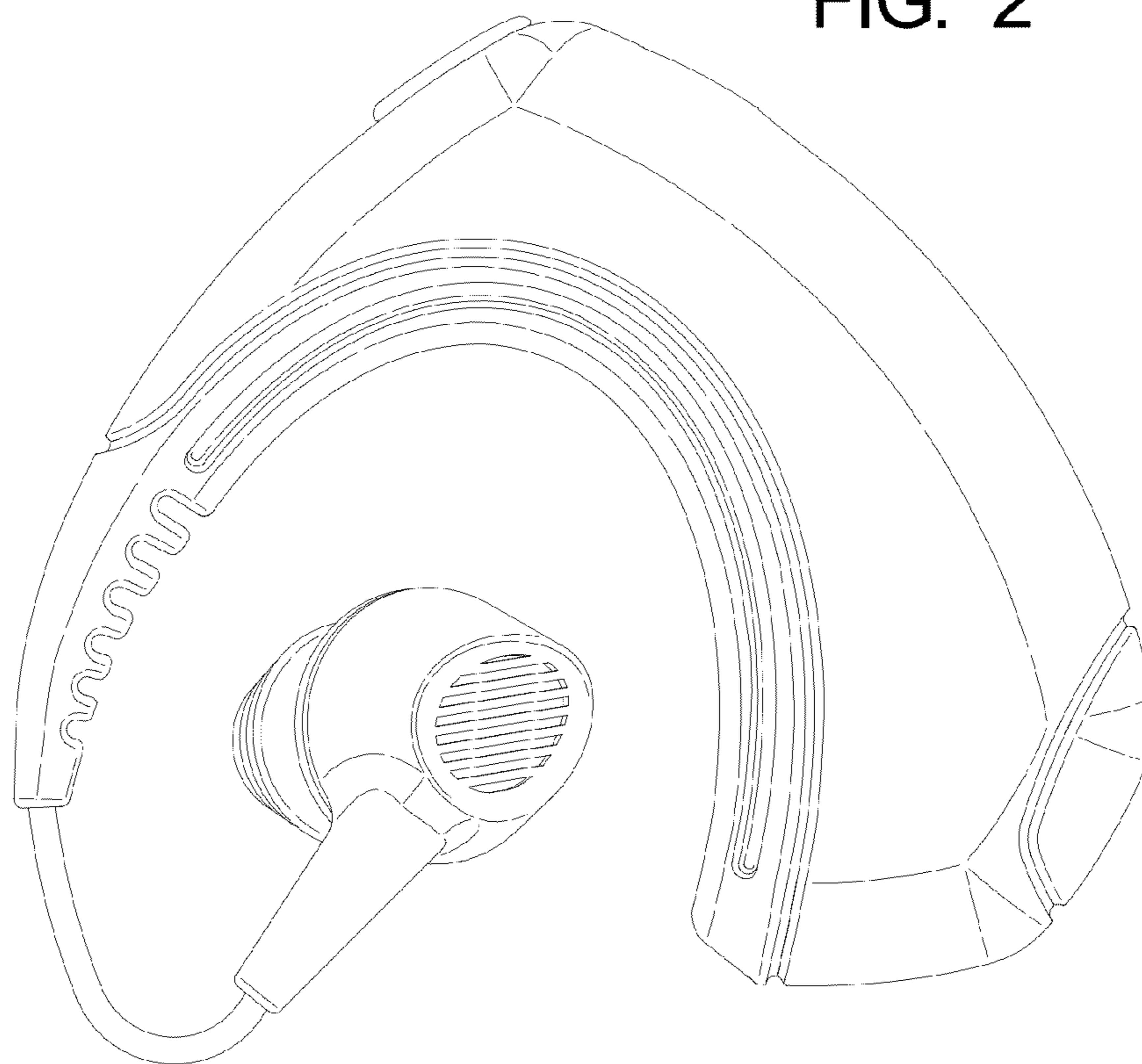


FIG. 3

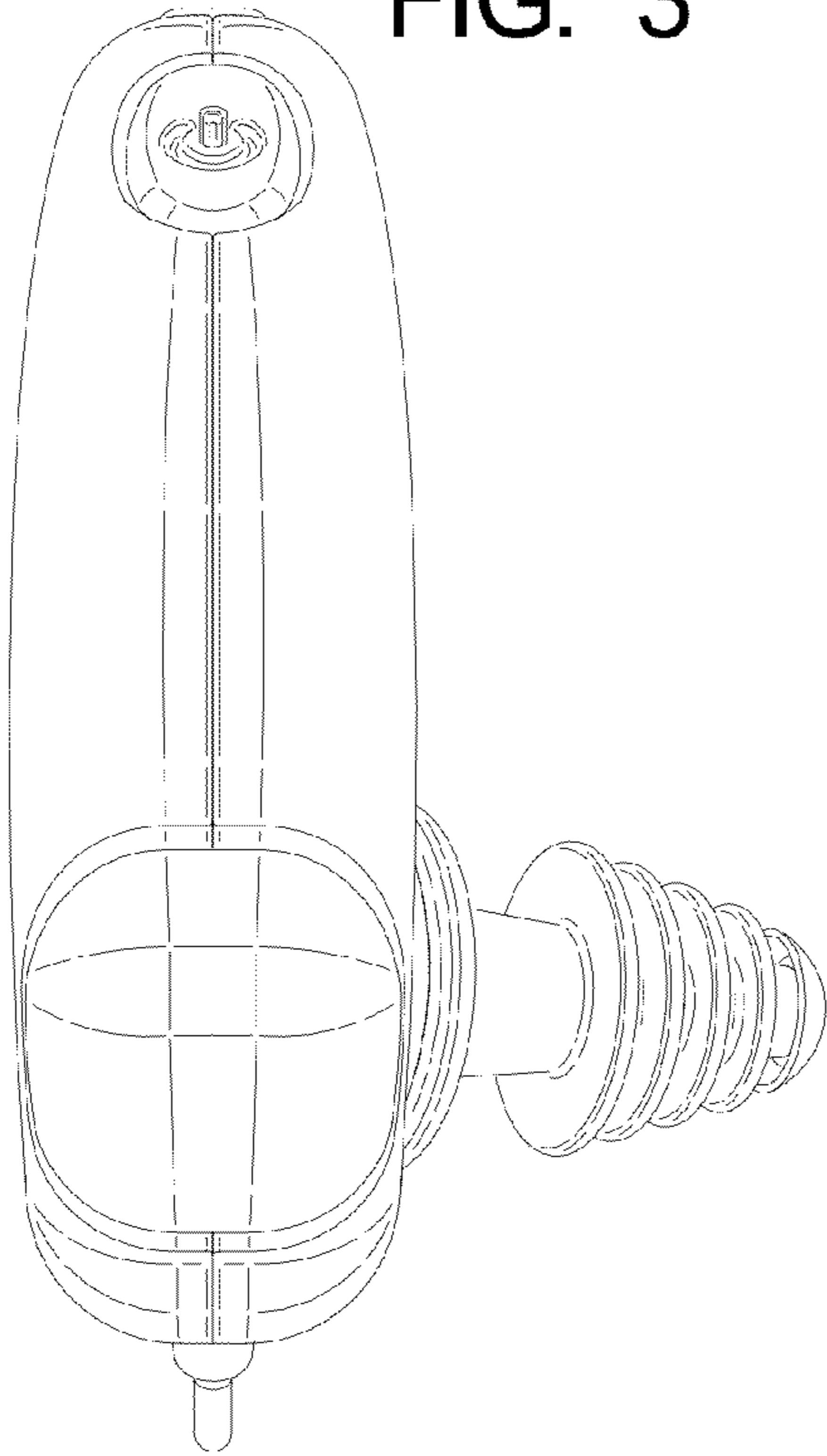


FIG. 4

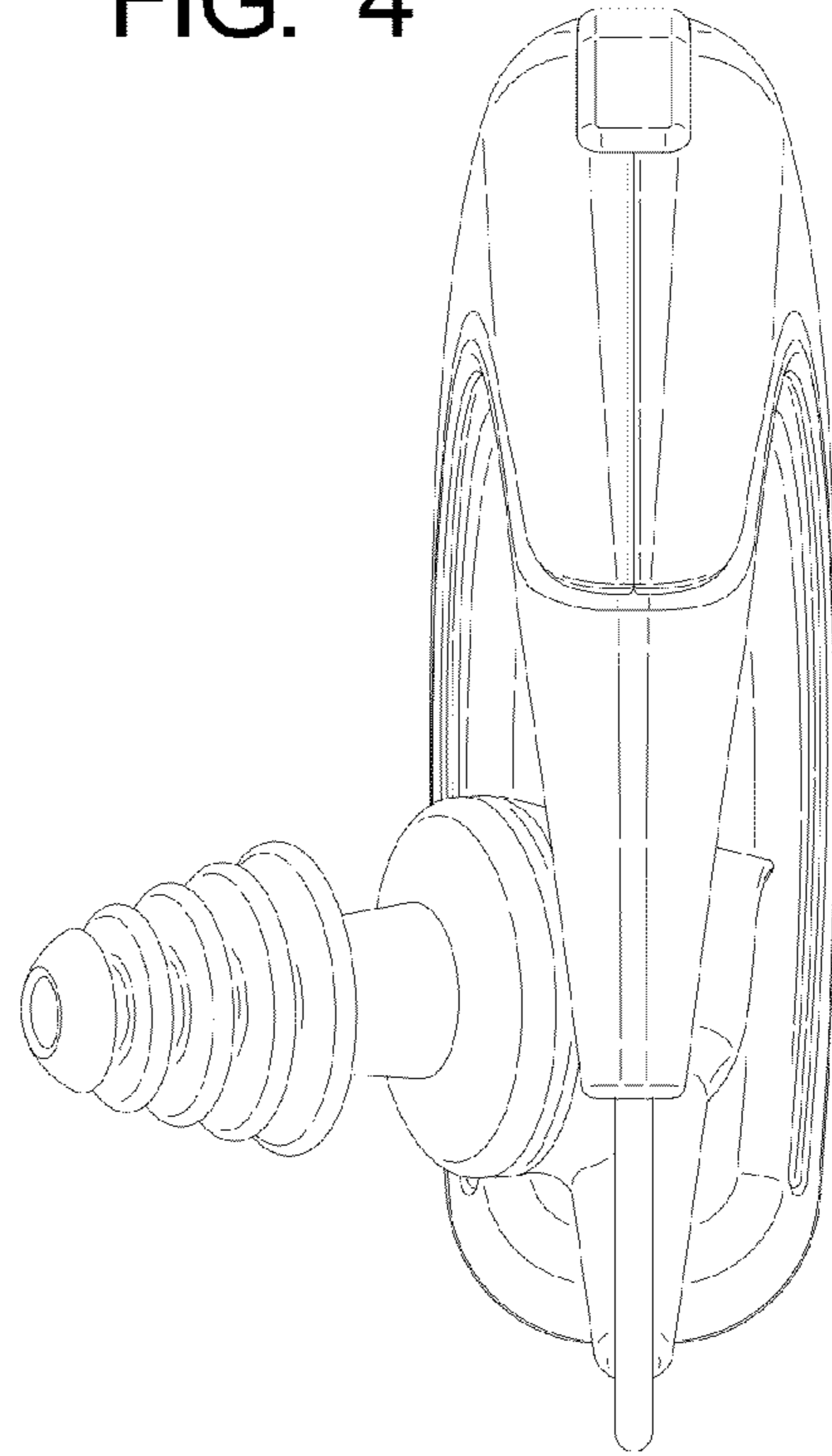


FIG. 5

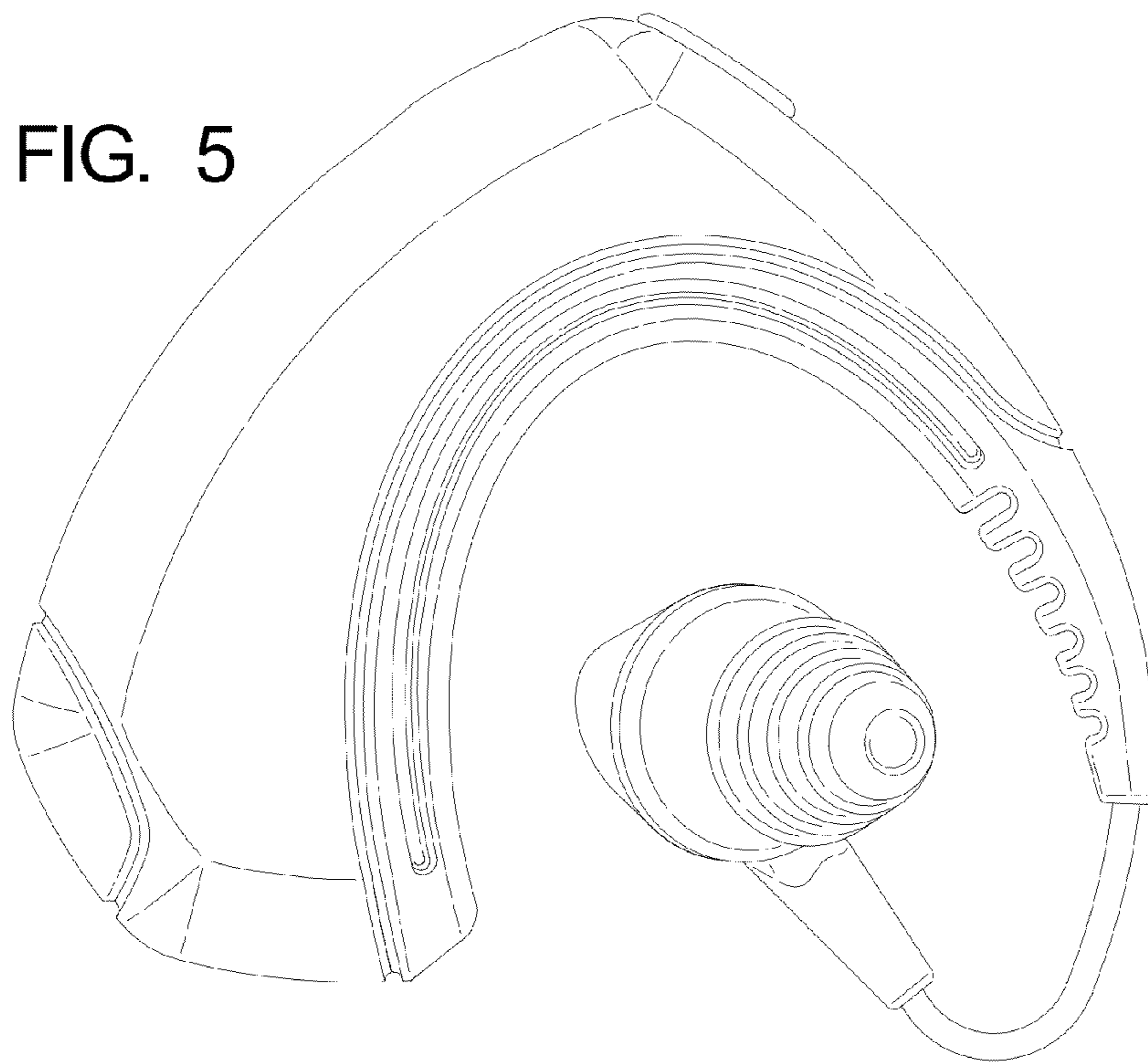


FIG. 6

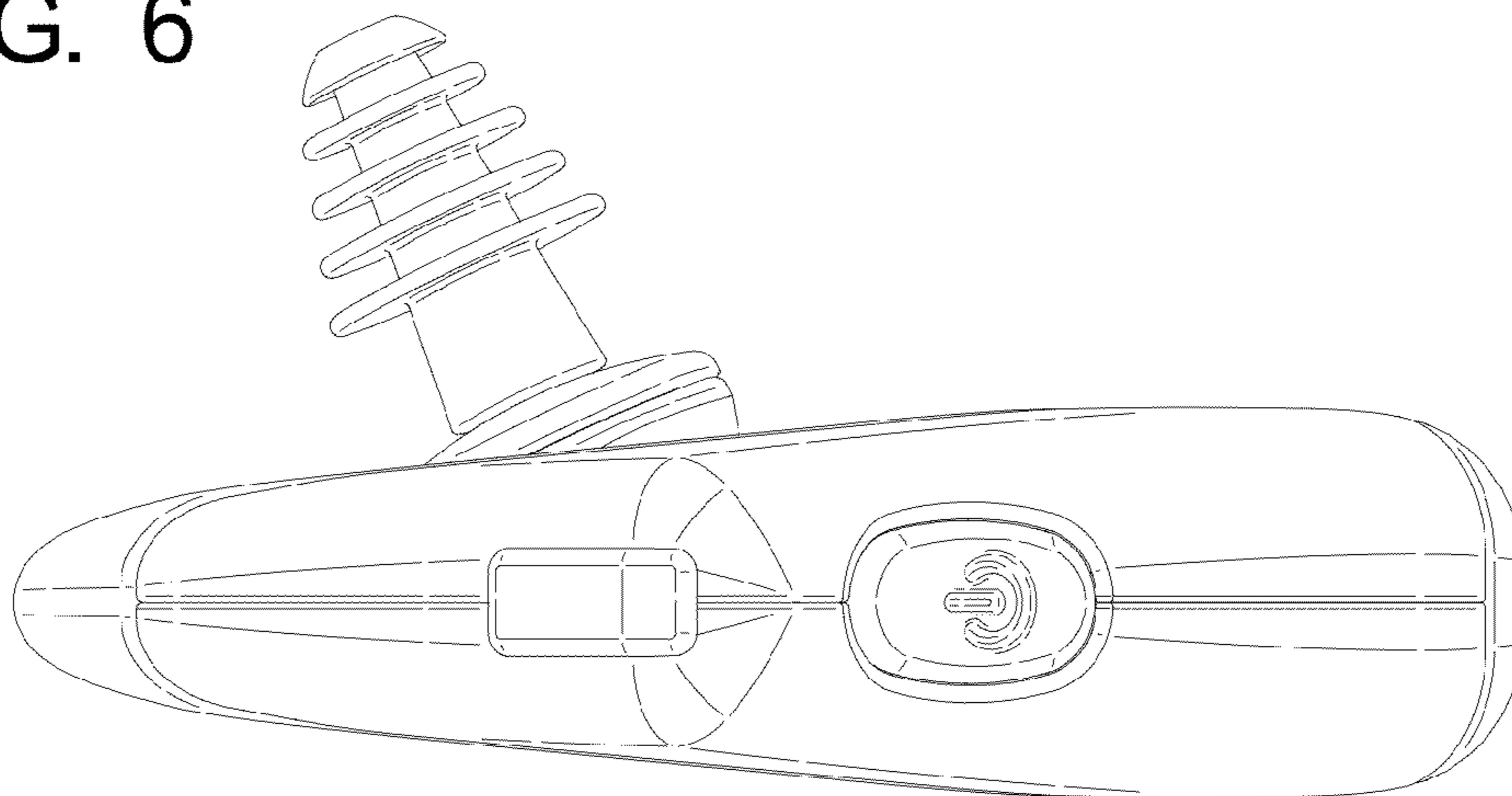


FIG. 7

