



US00D759822S

(12) **United States Design Patent**
Braml et al.

(10) **Patent No.:** **US D759,822 S**
(45) **Date of Patent:** **** Jun. 21, 2016**

(54) **CASSETTE HOUSING FOR DIALYSIS
MACHINE TUBING**

FOREIGN PATENT DOCUMENTS

(71) Applicant: **GAMBRO LUNDIA AB**, Lund (SE)

CA 2514970 8/2004
CA 2514974 8/2004

(72) Inventors: **Darren Braml**, Brooklyn Park, MN (US); **Jason LeBloch**, Fountain Valley, CA (US)

OTHER PUBLICATIONS

EC Registered Design 000023148-0004 (3 pages).

(Continued)

(73) Assignee: **Gambro Lundia AB**, Lund (SE)

Primary Examiner — Anhdao Doan

(**) Term: **14 Years**

(74) *Attorney, Agent, or Firm* — Mueting, Raasch & Gebhardt, P.A.

(21) Appl. No.: **29/523,967**

(22) Filed: **Apr. 15, 2015**

(51) **LOC (10) Cl.** **24-01**

(52) **U.S. Cl.**
USPC **D24/169**

(58) **Field of Classification Search**
USPC D24/169, 186, 107, 108, 111, 216, 219,
D24/232; 604/27, 29, 131, 132, 140, 141,
604/146, 6.01–6.05, 6.11, 6.13–6.16, 151
CPC A61M 1/28; A61M 1/281; A61M 1/282;
A61M 1/3621; A61M 2205/12
See application file for complete search history.

(57) **CLAIM**

The ornamental design for a cassette housing for dialysis machine tubing, as shown and described.

DESCRIPTION

FIG. 1 is a perspective view of another embodiment of a cassette housing for dialysis machine tubing of the claimed design;

FIG. 2 is a front view of the design of FIG. 1;

FIG. 3 is a rear view of the design of FIG. 1;

FIG. 4 is a left side view of the design of FIG. 1;

FIG. 5 is a right side view of the design of FIG. 1;

FIG. 6 is a top view of the design of FIG. 1; and,

FIG. 7 is a bottom view of the design of FIG. 1.

An ornamental design of a cassette housing for dialysis machine tubing is depicted in the figures. The cassette housing for dialysis machine tubing is intended for use in retaining tubing for attachment to a dialysis machine.

The broken lines in the drawing views are included for the purpose of illustrating portions of the cassette housing for dialysis machine tubing that form no part of the claimed design.

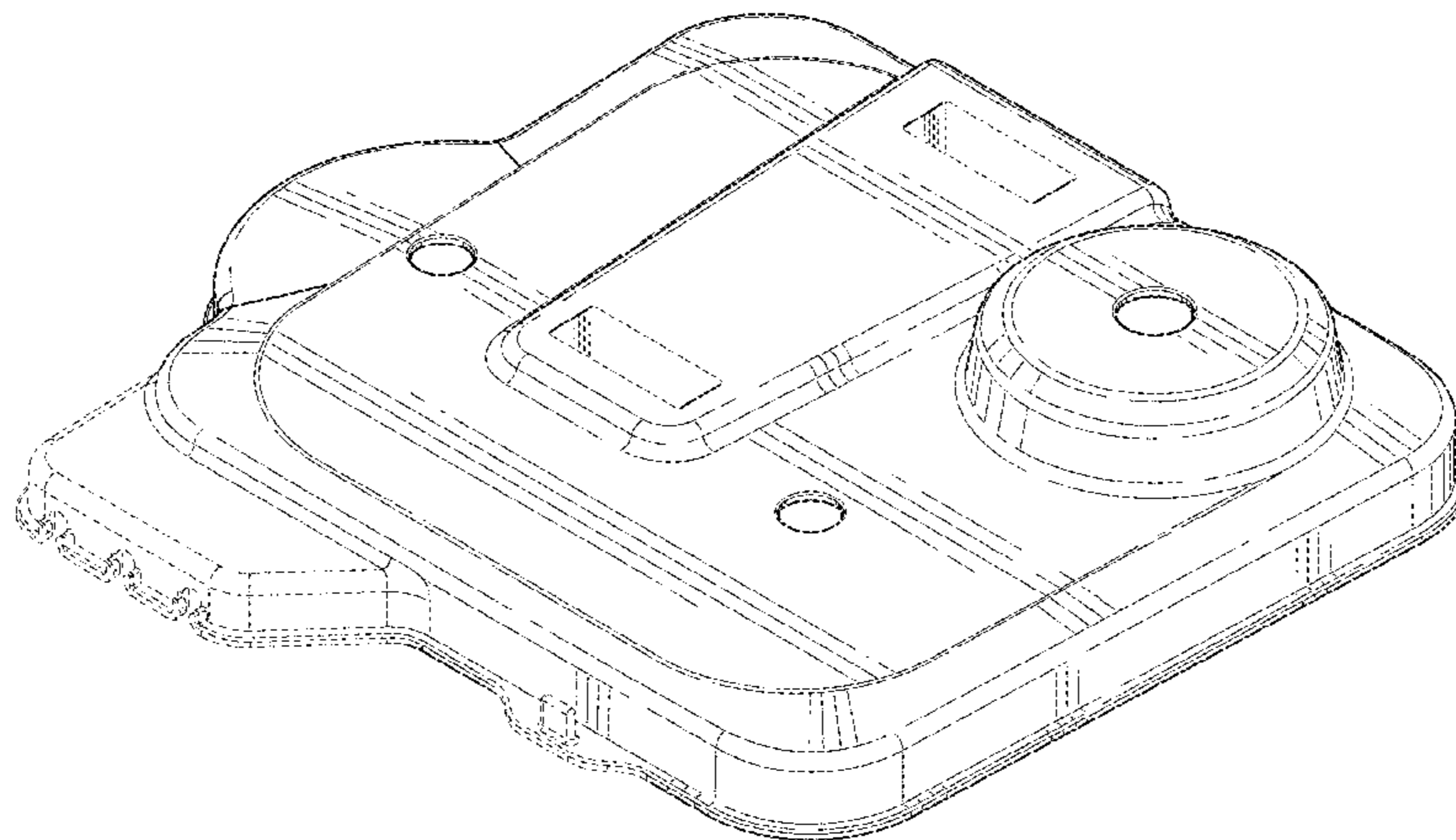
(56) **References Cited**

U.S. PATENT DOCUMENTS

D257,689 S	12/1980	Riede	
D350,822 S	9/1994	Lanigan	
D350,823 S	9/1994	Lanigan	
D357,312 S	4/1995	Riquier	
D398,051 S	9/1998	Lanigan	
D409,748 S	5/1999	Lanigan	
D556,909 S	12/2007	Reihanifam	
D576,281 S	9/2008	Reihanifam	
7,476,209 B2 *	1/2009	Gara	A61M 1/3621 604/6.01
D606,198 S	12/2009	Collins	
D639,978 S	6/2011	Roos	

(Continued)

1 Claim, 7 Drawing Sheets



(56)

References Cited

U.S. PATENT DOCUMENTS

D644,730	S	9/2011	Franzoni	
D648,432	S	11/2011	Caleffi	
8,337,449	B2	12/2012	Childers	
D724,221	S *	3/2015	Chung D24/169
2005/0186098	A1 *	8/2005	Davis A61B 19/44 604/153
2011/0275998	A1 *	11/2011	Gyory A61M 5/14248 604/134
2014/0135699	A1 *	5/2014	Gyory A61M 5/1483 604/134
2014/0194809	A1	7/2014	Plahey	

OTHER PUBLICATIONS

EC Registered Design 000023148-0005 (3 pages).

Gambro Lundia AB, Figures (7 pages) depicting Prismaflex Cassette

Tubing Housing publicly available from Gambro Lundia AB prior to
Jun. 2013.

* cited by examiner

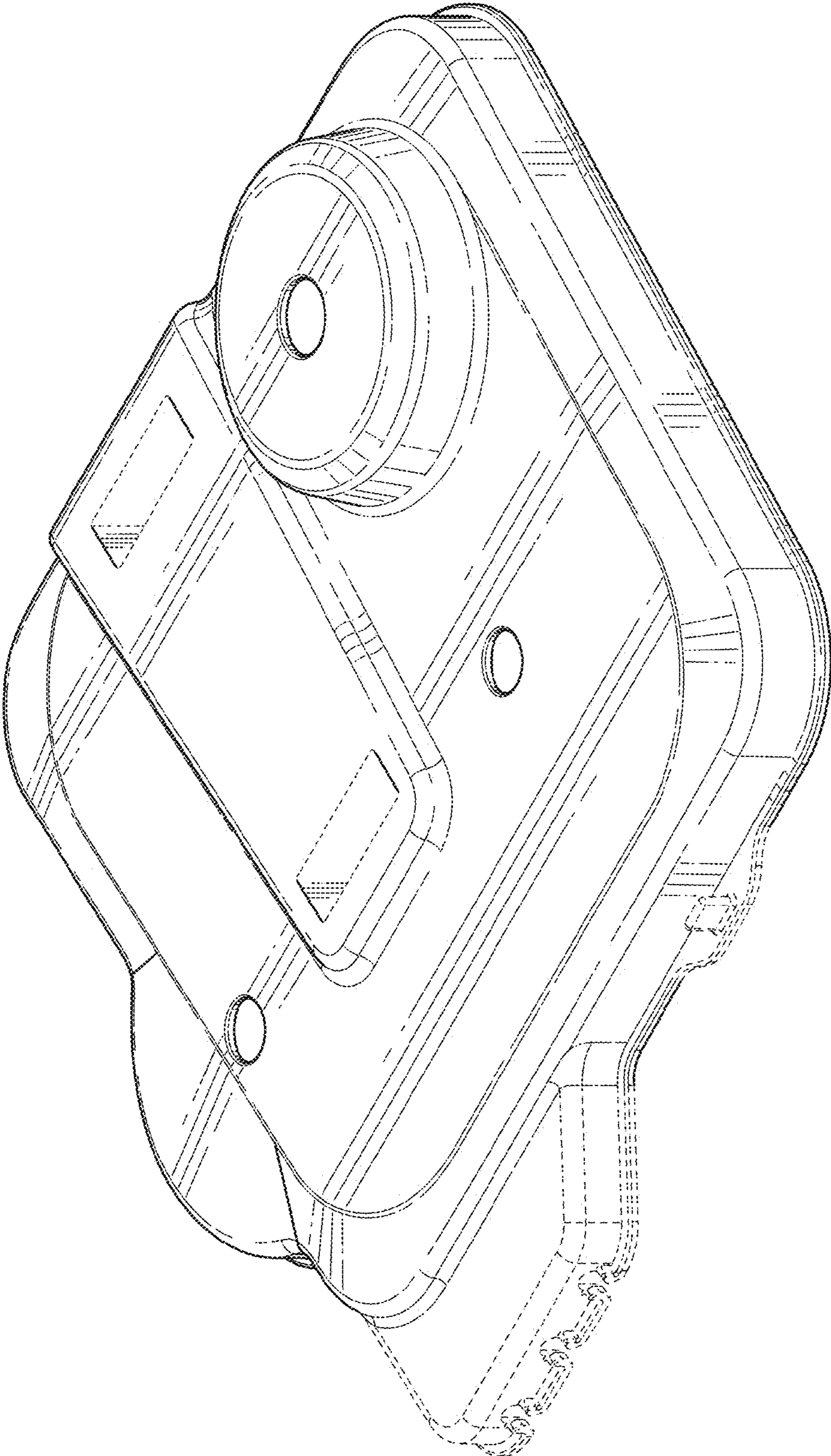


FIG. 1

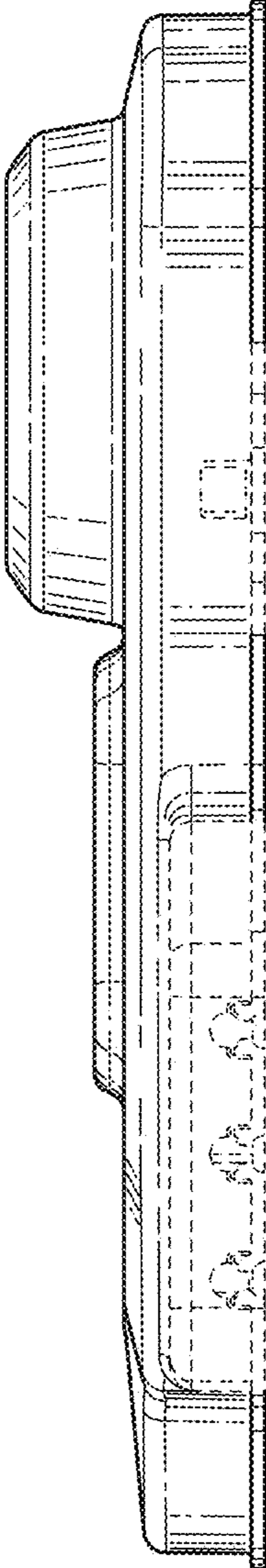


FIG. 2

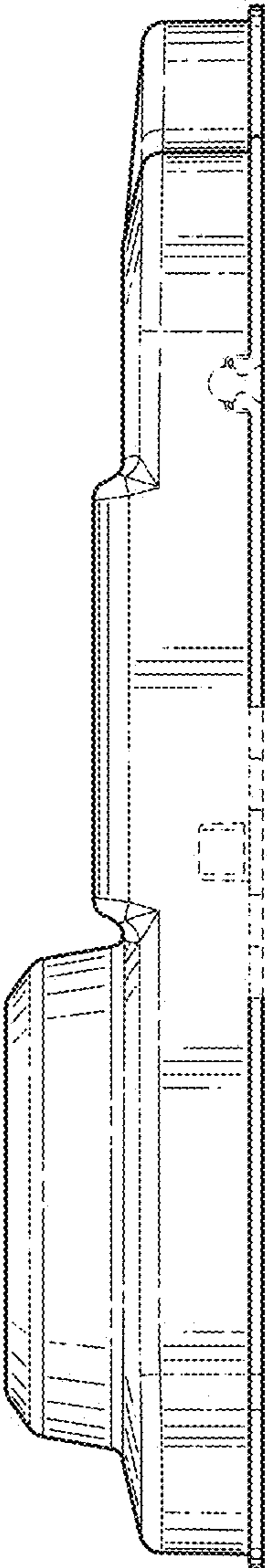


FIG. 3

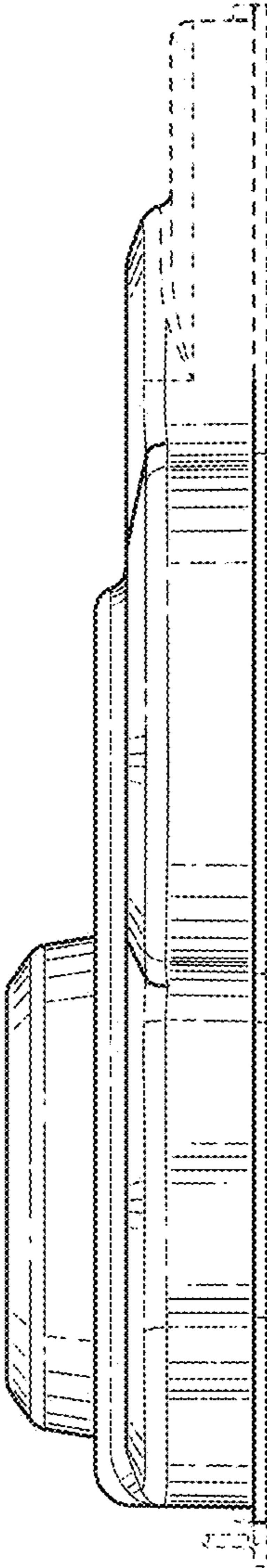


FIG. 4

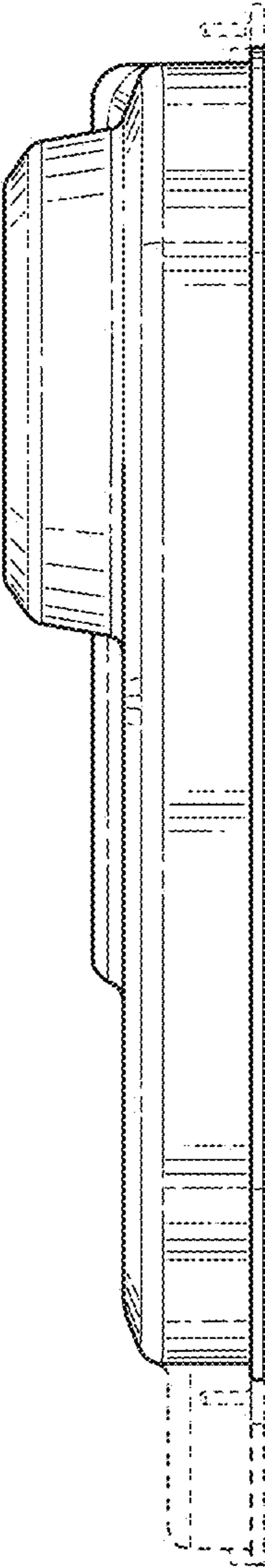


FIG. 5

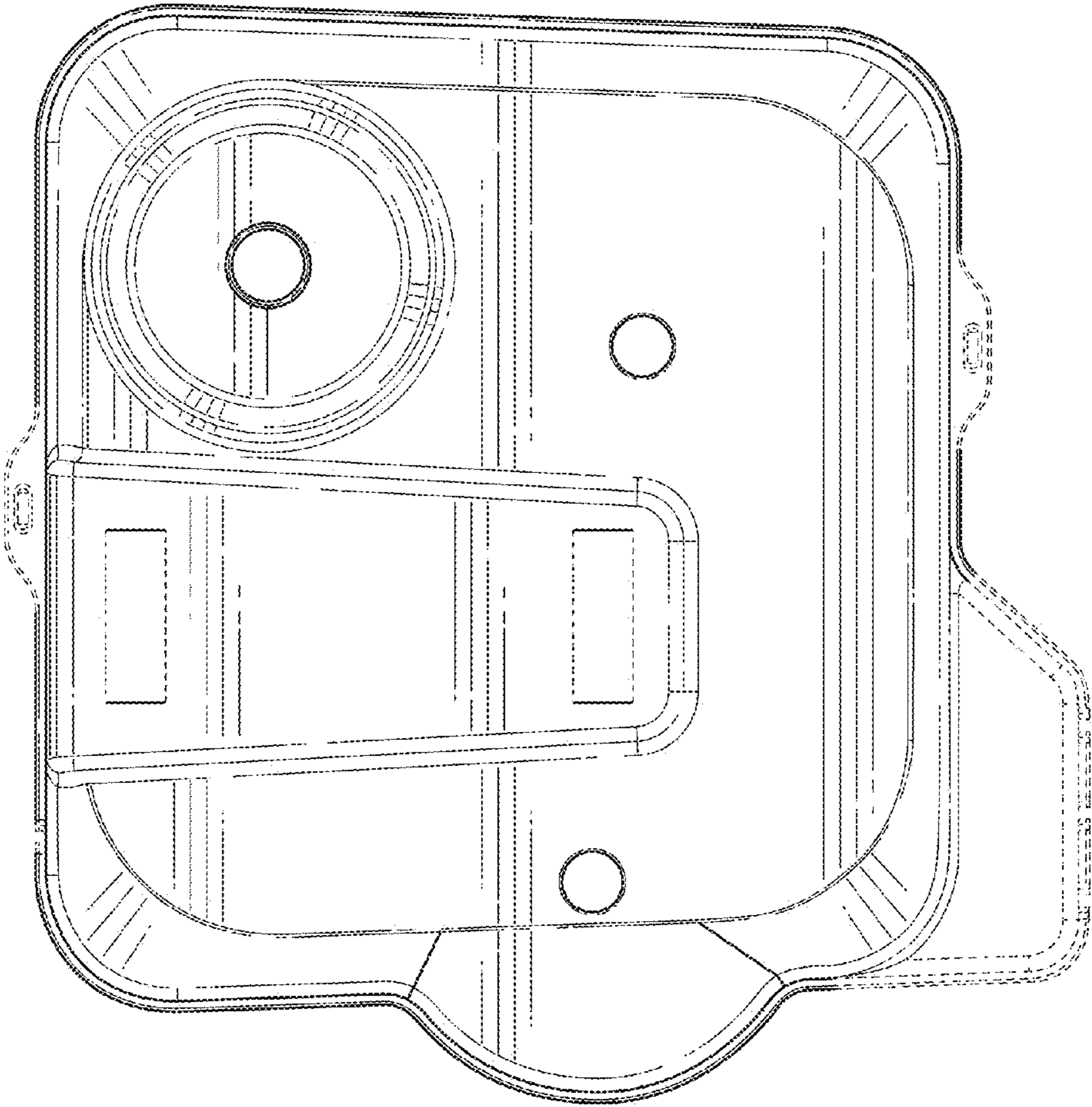


FIG. 6

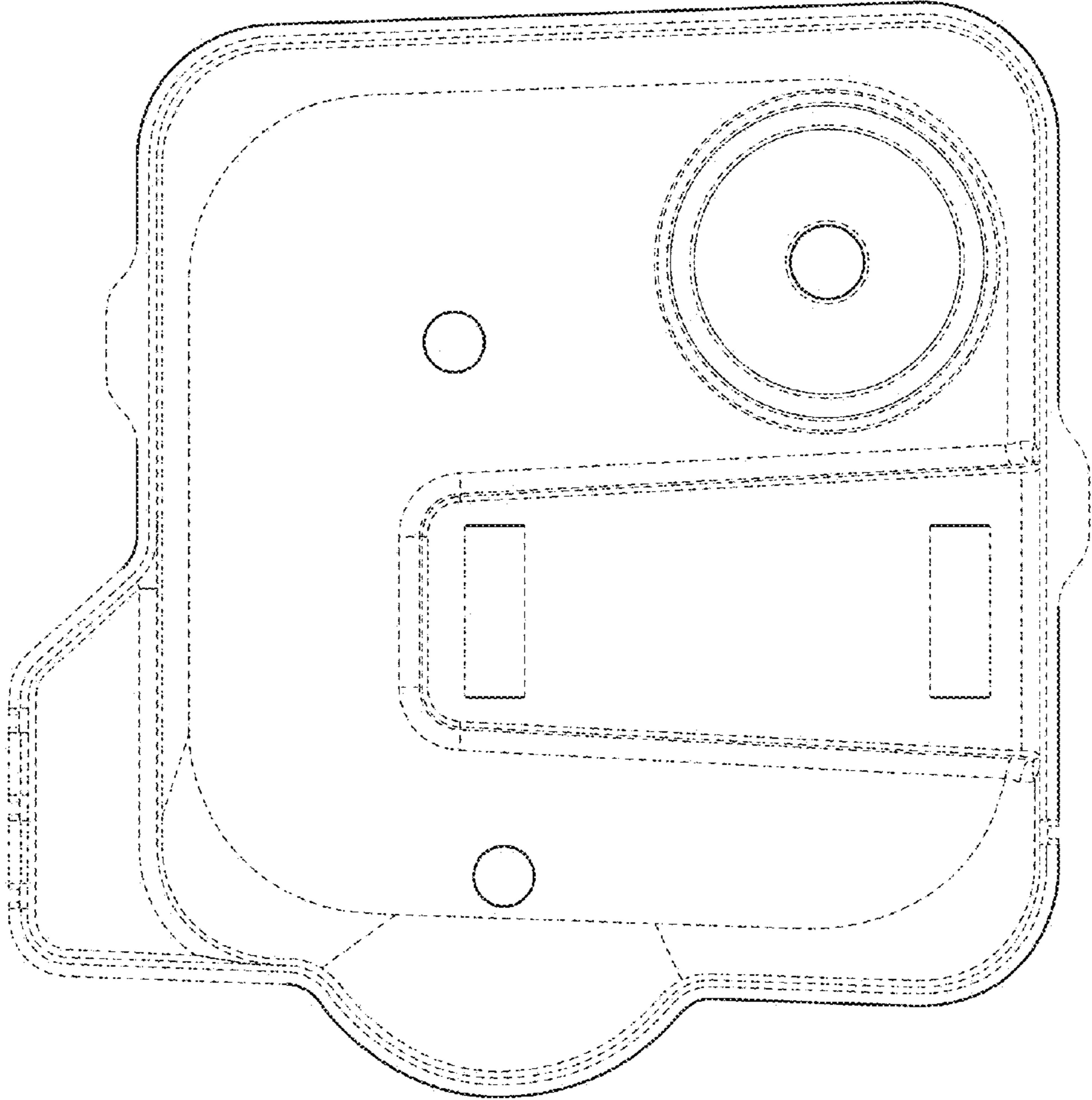


FIG. 7