



US00D759821S

(12) **United States Design Patent**
Braml et al.

(10) **Patent No.:** **US D759,821 S**
(45) **Date of Patent:** **** Jun. 21, 2016**

(54) **CASSETTE HOUSING FOR
EXTRACORPOREAL BLOOD PROCESSING
APPARATUS**

D357,312 S 4/1995 Riquier
D398,051 S 9/1998 Lanigan
D409,748 S 5/1999 Lanigan

(Continued)

(71) Applicant: **GAMBRO LUNDIA AB**, Lund (SE)

FOREIGN PATENT DOCUMENTS

(72) Inventors: **Darren M. Braml**, Brooklyn Park, MN
(US); **Jason LeBloch**, Santa Monica, CA
(US)

CA 2514970 8/2004
CA 2514974 8/2004

(73) Assignee: **Gambro Lundia AB**, Lund (SE)

OTHER PUBLICATIONS

(**) Term: **14 Years**

Gambro Lundia AB, Figures (7 pages) depicting Prismaflex Cassette Tubing Housing publicly available from Gambro Lundia AB prior to Jun. 2013.

(21) Appl. No.: **29/515,360**

(Continued)

(22) Filed: **Jan. 22, 2015**

Primary Examiner — Anhdao Doan

(74) *Attorney, Agent, or Firm* — Mueting, Raasch & Gebhardt, P.A.

Related U.S. Application Data

(63) Continuation of application No. 29/493,479, filed on Jun. 10, 2014, now abandoned.

(51) **LOC (10) Cl.** **24-01**

(52) **U.S. Cl.**
USPC **D24/169**

(58) **Field of Classification Search**
USPC D24/169, 186, 107, 108, 111, 216, 219,
D24/232; 604/27, 29, 131, 132, 140, 141,
604/146, 6.01–6.05, 6.11, 6.13–6.16, 151
CPC A61M 1/28; A61M 1/281; A61M 1/282;
A61M 1/3621; A61M 2205/12
See application file for complete search history.

(56) **References Cited**

U.S. PATENT DOCUMENTS

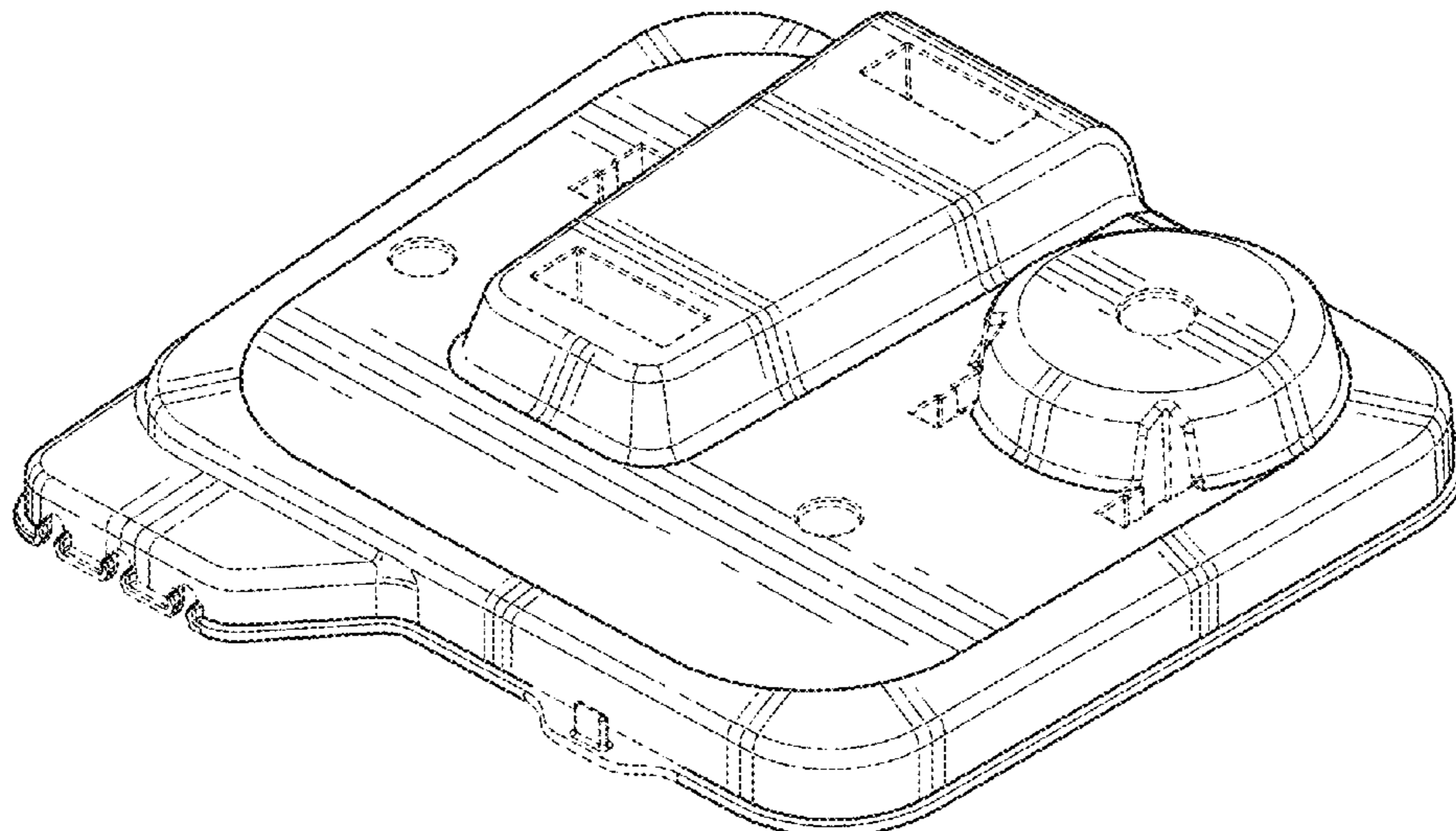
D257,689 S 12/1980 Riede
D350,822 S 9/1994 Lanigan
D350,823 S 9/1994 Lanigan

(57) **CLAIM**
The ornamental design for a cassette housing for an extracorporeal blood processing apparatus, as shown and described.

DESCRIPTION

FIG. 1 is a perspective view of a cassette housing for an extracorporeal blood processing apparatus of the claimed design;
FIG. 2 is a front view of the cassette housing of FIG. 1;
FIG. 3 is a rear view of the cassette housing of FIG. 1;
FIG. 4 is a left side view of the cassette housing of FIG. 1;
FIG. 5 is a right side view of the cassette housing of FIG. 1;
FIG. 6 is a top view of the cassette housing of FIG. 1; and,
FIG. 7 is a bottom view of the cassette housing of FIG. 1.
The broken lines in the drawing views are included for the purpose of illustrating portions of the cassette housing for extracorporeal blood processing apparatus that form no part of the claimed design.

1 Claim, 5 Drawing Sheets



(56)

References Cited

U.S. PATENT DOCUMENTS

D556,909 S 12/2007 Reihanifam
D576,281 S 9/2008 Reihanifam
7,476,209 B2 * 1/2009 Gara A61M 1/3621
604/6.01
D606,198 S 12/2009 Collins
D639,978 S 6/2011 Roos
D644,730 S 9/2011 Franzoni
D648,432 S 11/2011 Caleffi
8,337,449 B2 12/2012 Childers
D724,221 S * 3/2015 Chung D24/169

2005/0186098 A1* 8/2005 Davis A61B 19/44
604/153
2011/0275998 A1* 11/2011 Gyory A61M 5/14248
604/134
2014/0135699 A1* 5/2014 Gyory A61M 5/1483
604/134
2014/0194809 A1 7/2014 Plahey

OTHER PUBLICATIONS

EC Registered Design 000023148-0004 (3 pages).
EC Registered Design 000023148-0005 (3 pages).

* cited by examiner

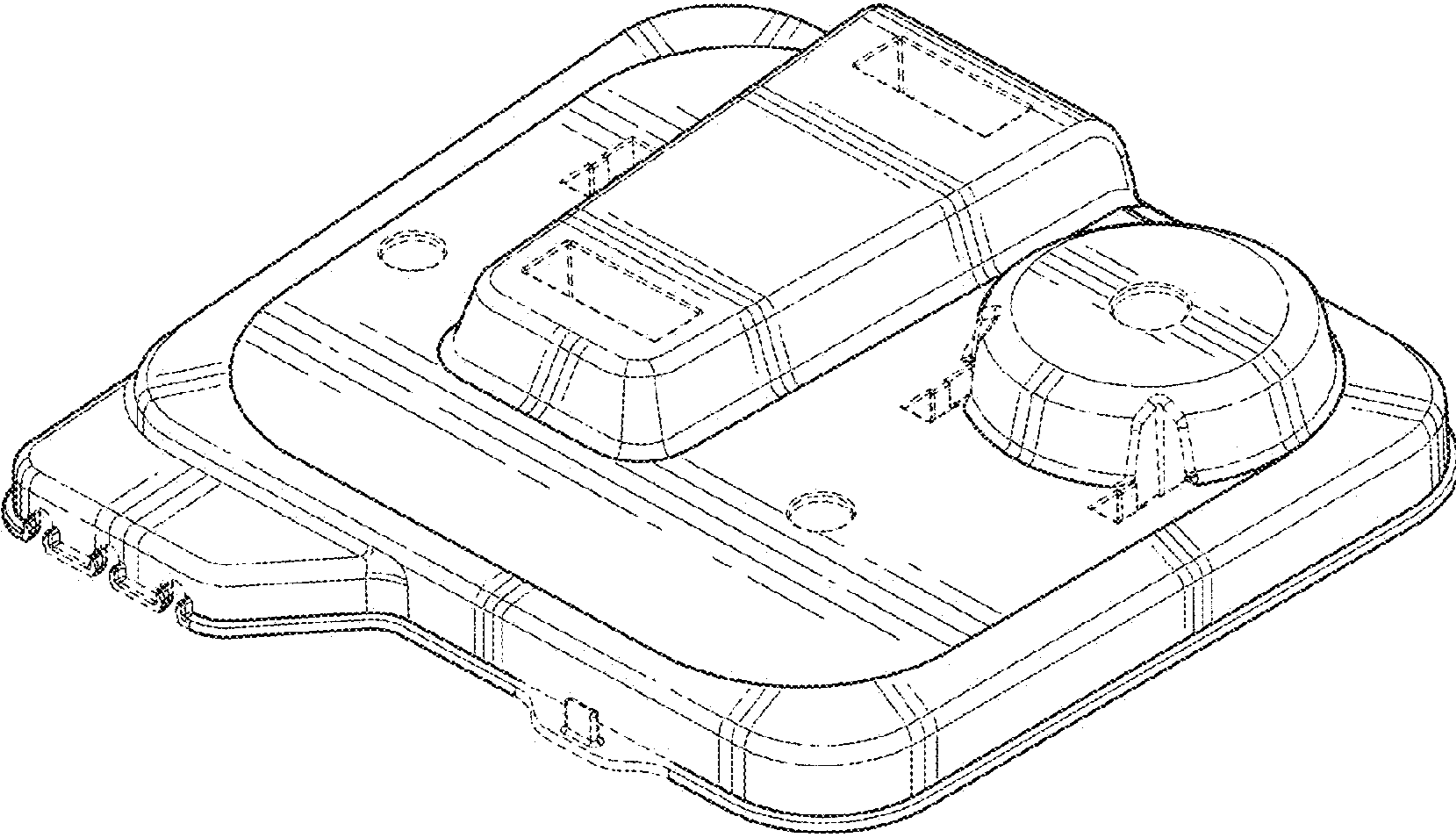


FIG. 1

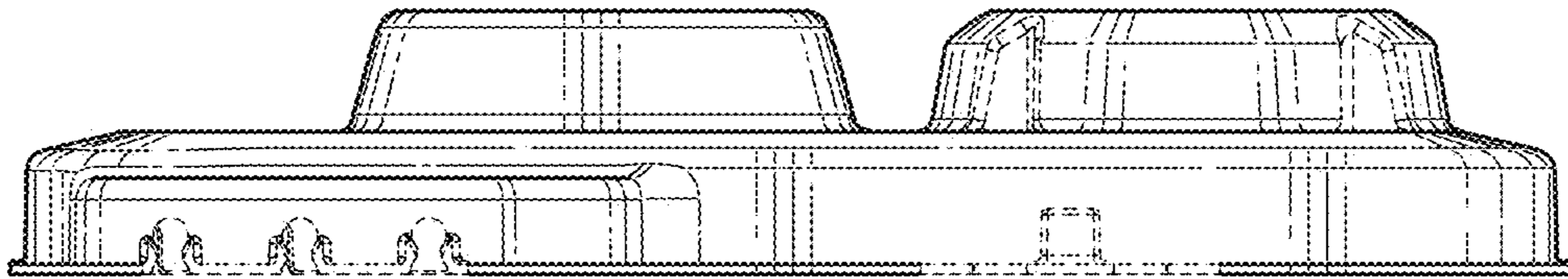


FIG. 2

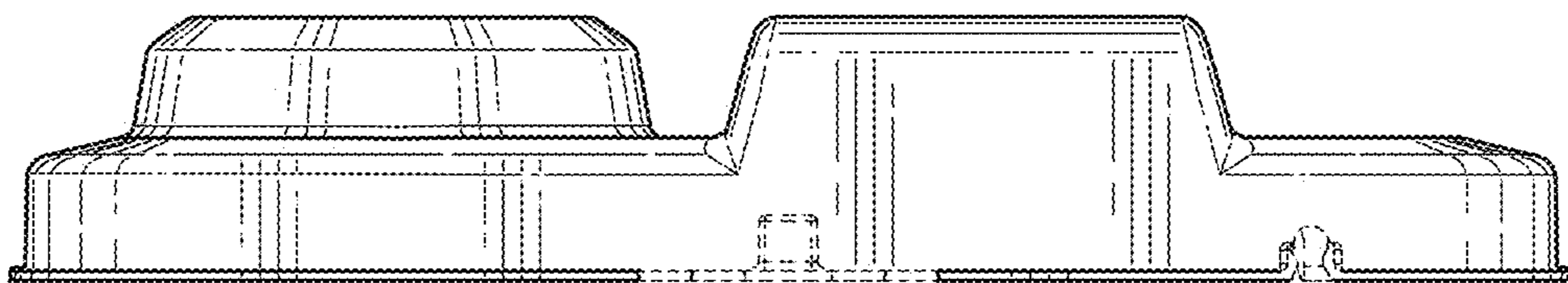


FIG. 3

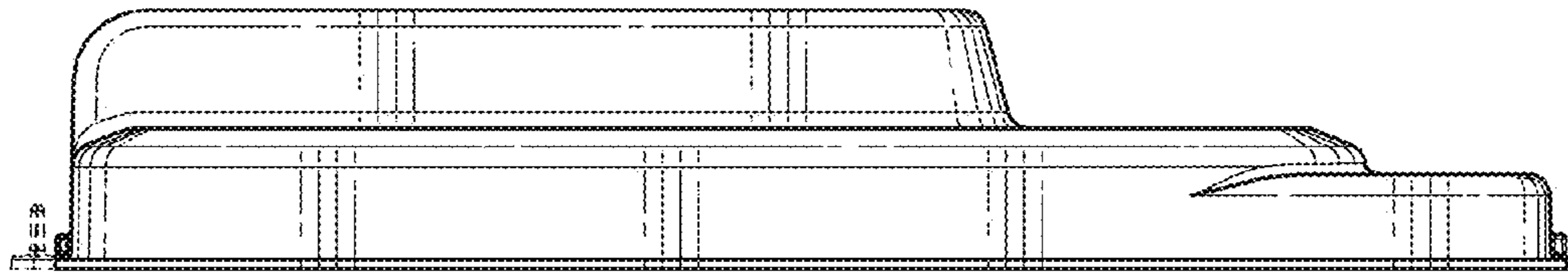


FIG. 4

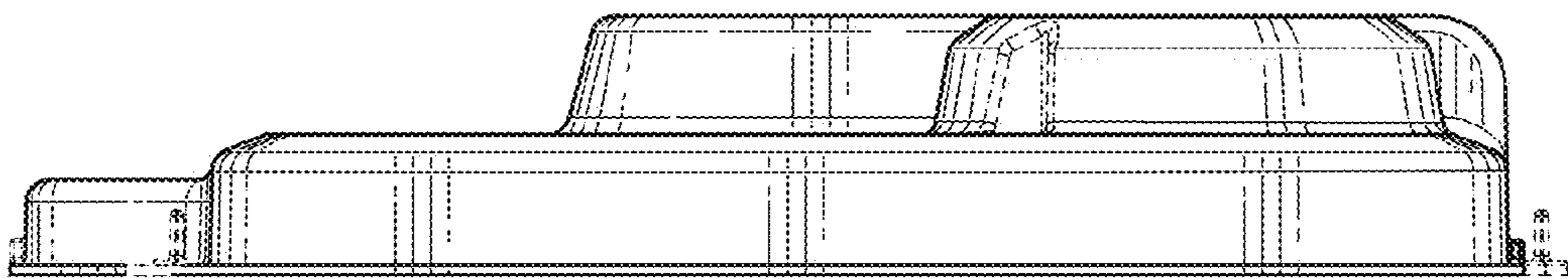


FIG. 5

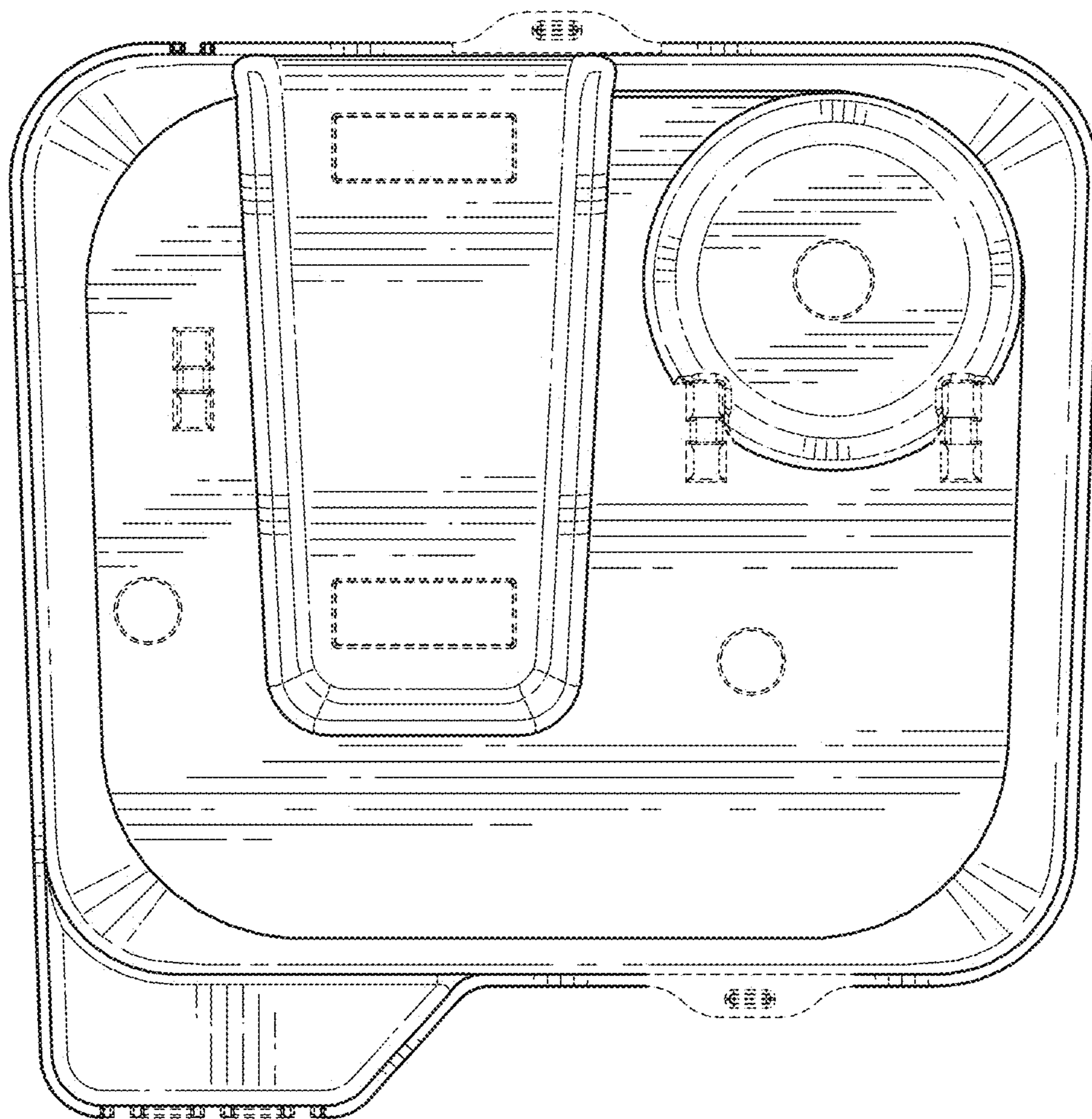


FIG. 6

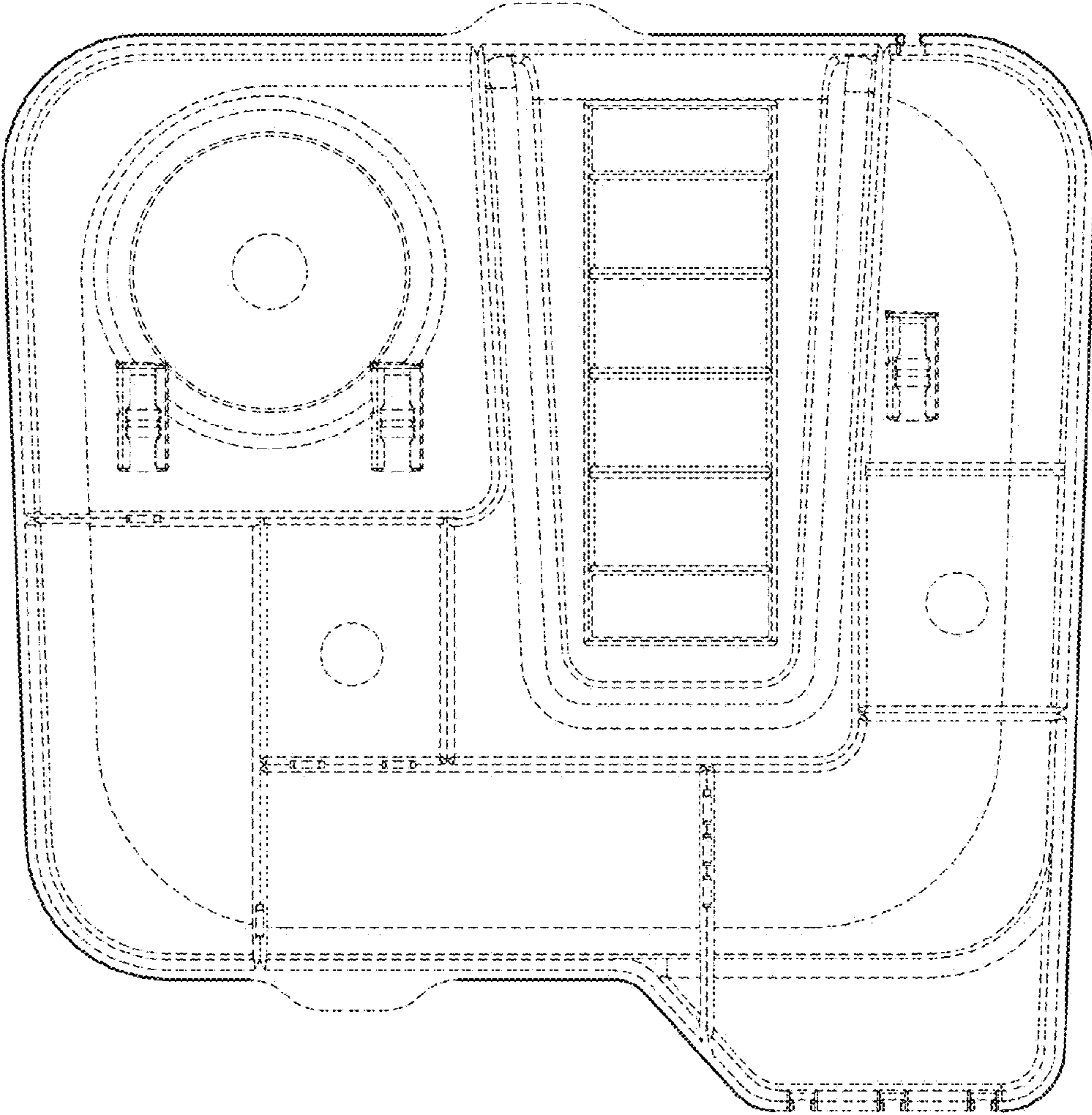


FIG. 7