



US00D759820S

(12) **United States Design Patent**
Blomquist et al.

(10) **Patent No.:** **US D759,820 S**

(45) **Date of Patent:** **** Jun. 21, 2016**

(54) **VENTILATOR CORE**

(71) Applicant: **Maquet Critical Care AB**, Solna (SE)

(72) Inventors: **Karin Blomquist**, Sollentuna (SE);
Magnus Olsson, Enskede (SE); **Stina Juhlin**, Gustavsberg (SE)

(73) Assignee: **Maquet Critical Care AB**, Solna (SE)

(**) Term: **15 Years**

(21) Appl. No.: **29/527,886**

(22) Filed: **May 22, 2015**

(30) **Foreign Application Priority Data**

Nov. 25, 2014 (EM) 2584441

(51) **LOC (10) Cl.** **24-00**

(52) **U.S. Cl.**
USPC **D24/164**

(58) **Field of Classification Search**
USPC D24/164, 185, 158, 110, 172, 162;
600/407; 128/202.27; 108/147.19;
D34/14
CPC A61B 5/0002; A61M 16/0051; A61G
12/001

See application file for complete search history.

(56) **References Cited**

U.S. PATENT DOCUMENTS

D552,242 S * 10/2007 Gutekunst D24/172
D702,840 S * 4/2014 Blomquist D24/164

D708,733 S * 7/2014 Ng D24/110
D719,262 S * 12/2014 Wong D24/158
D731,992 S * 6/2015 Budde D14/126
D733,887 S * 7/2015 Blomquist D24/164
D735,343 S * 7/2015 Dorsey D24/186
D739,936 S * 9/2015 Blomquist D24/162

* cited by examiner

Primary Examiner — Holly Baynham

Assistant Examiner — Rhea Shields

(74) *Attorney, Agent, or Firm* — Schiff Hardin LLP

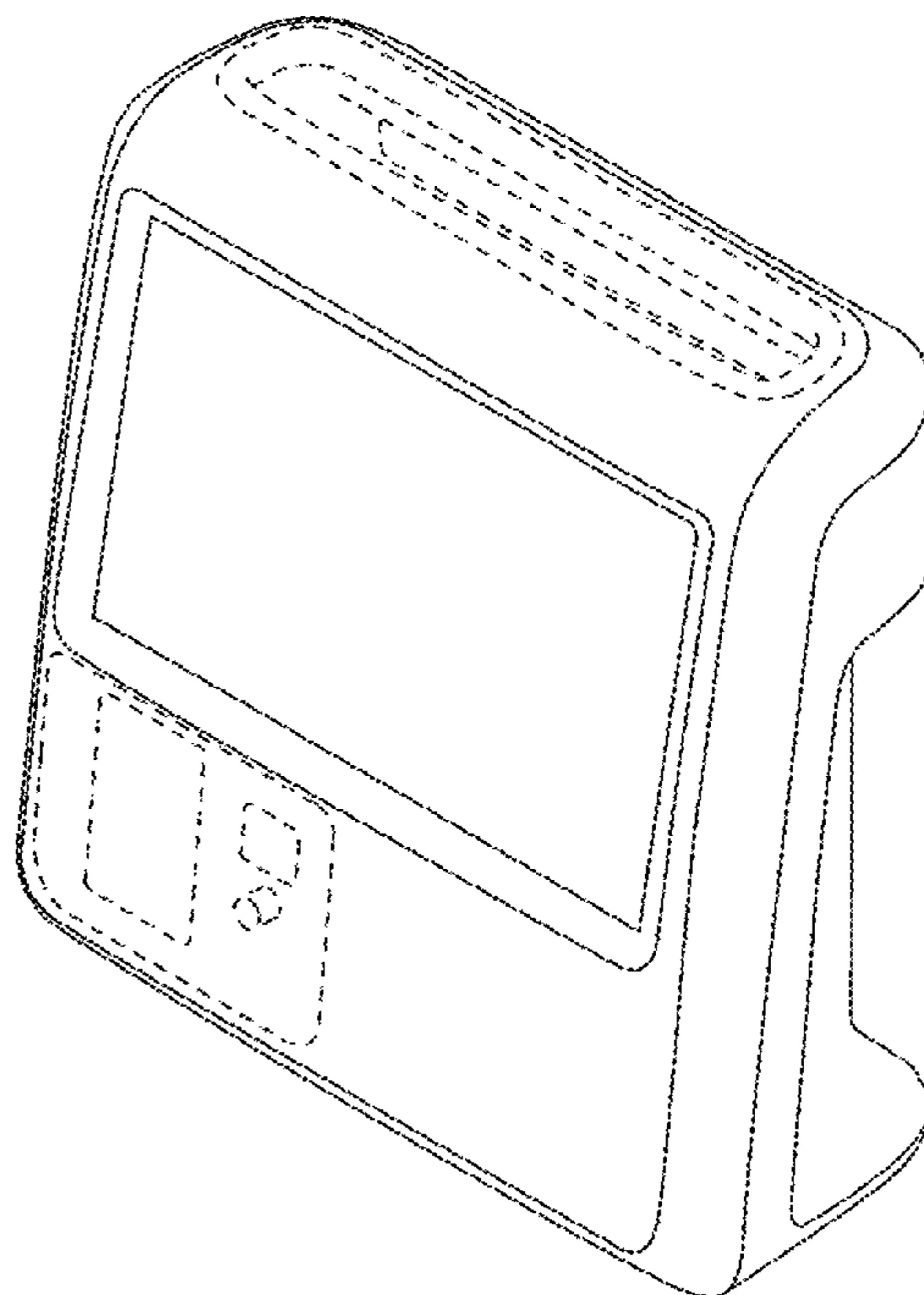
(57) **CLAIM**

The ornamental design for a ventilator core, as shown and described.

DESCRIPTION

FIG. 1 is a perspective of a ventilator core taken from a direction between a front side and a right side of the ventilator;
FIG. 2 is a front elevational view of the ventilator core of FIG. 1;
FIG. 3 is a back elevational view of the ventilator core of FIG. 1;
FIG. 4 is a left side elevational view of the ventilator core of FIG. 1;
FIG. 5 is a right side elevational view of the ventilator core of FIG. 1;
FIG. 6 is a top plan view of the ventilator core of FIG. 1; and,
FIG. 7 is a bottom plan view of the ventilator core of FIG. 1.
In the drawings, the broken lines are for the purpose of illustrating environment only and form no part of the claimed design.

1 Claim, 3 Drawing Sheets



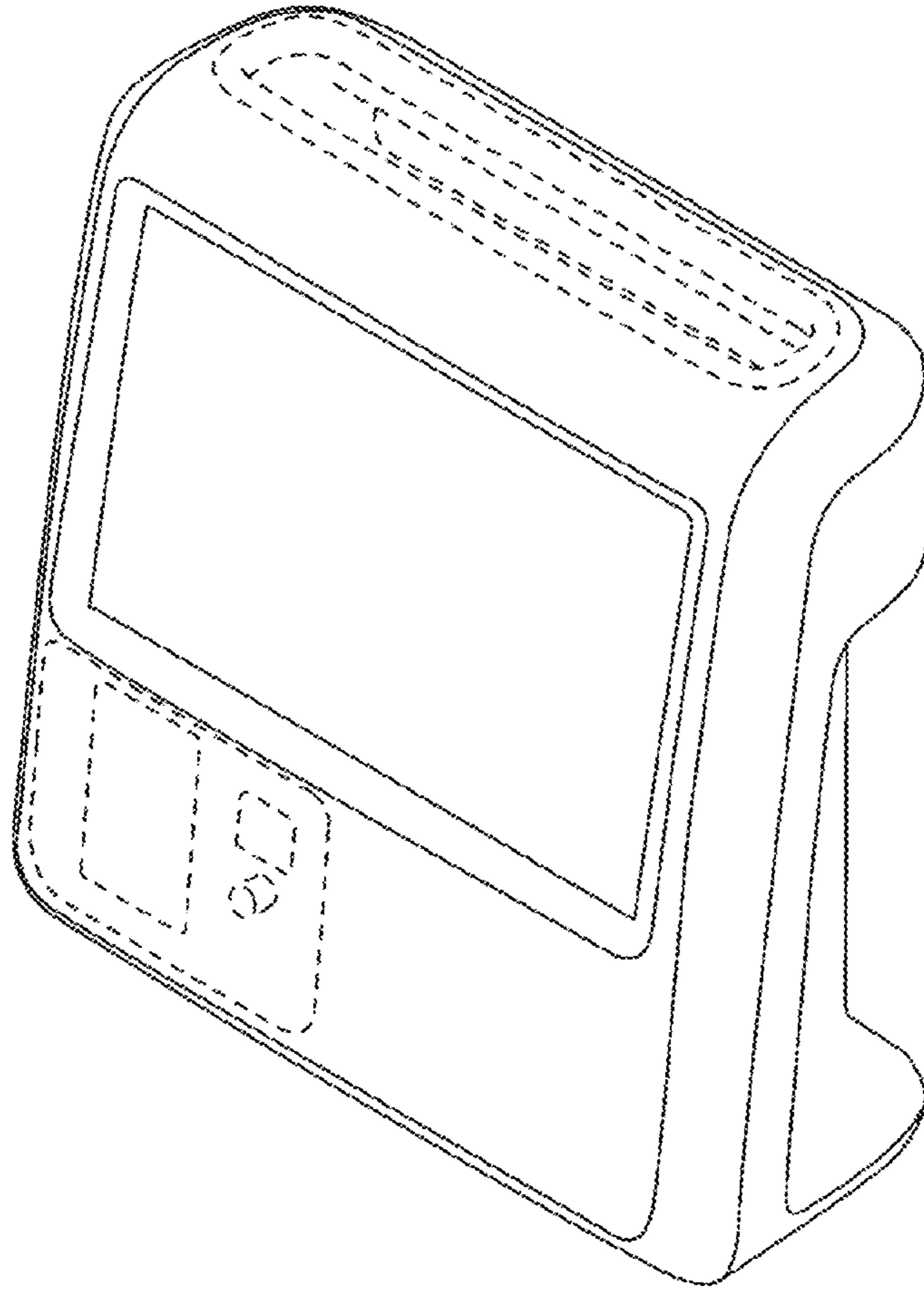


FIG. 1

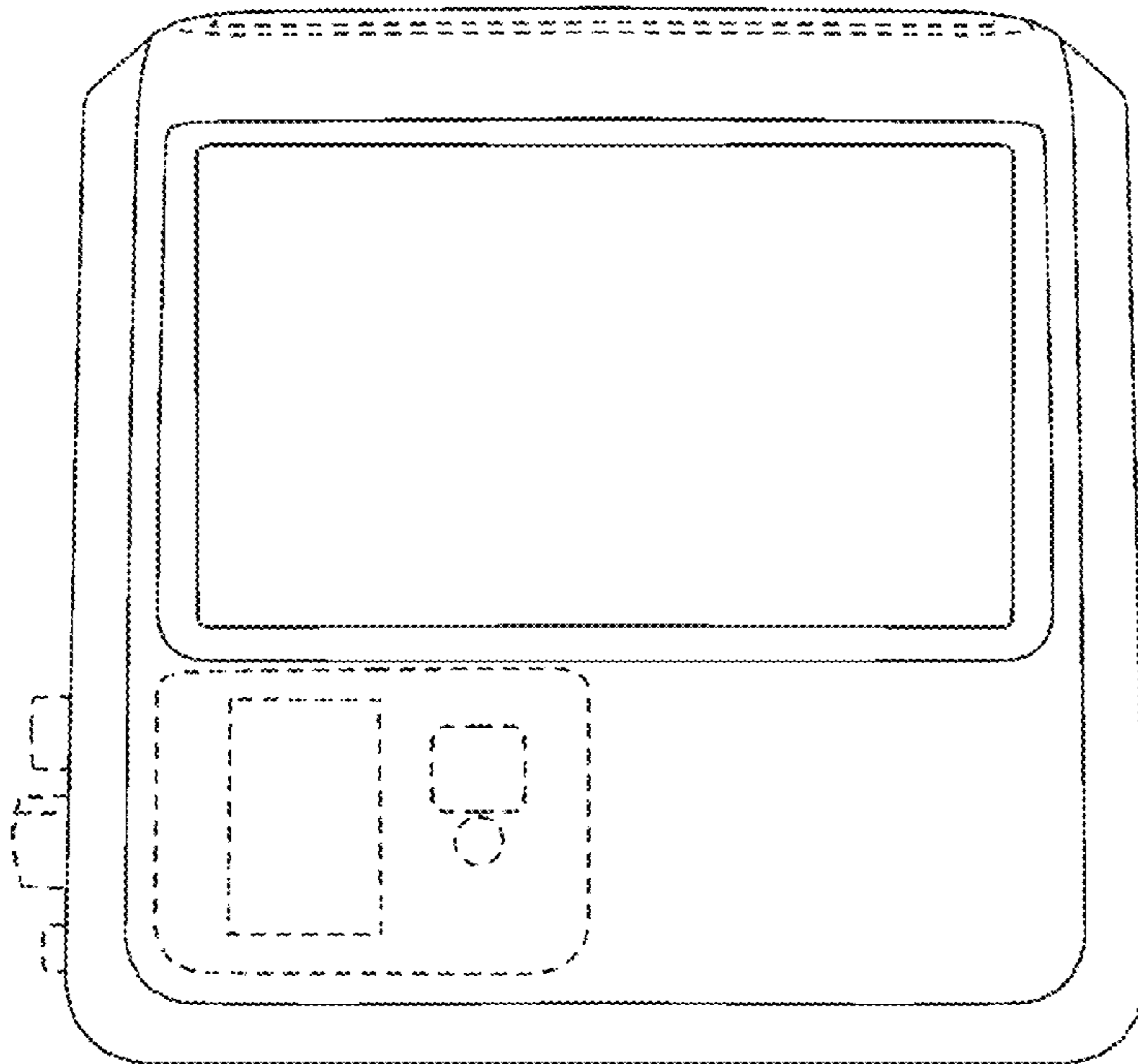


FIG. 2

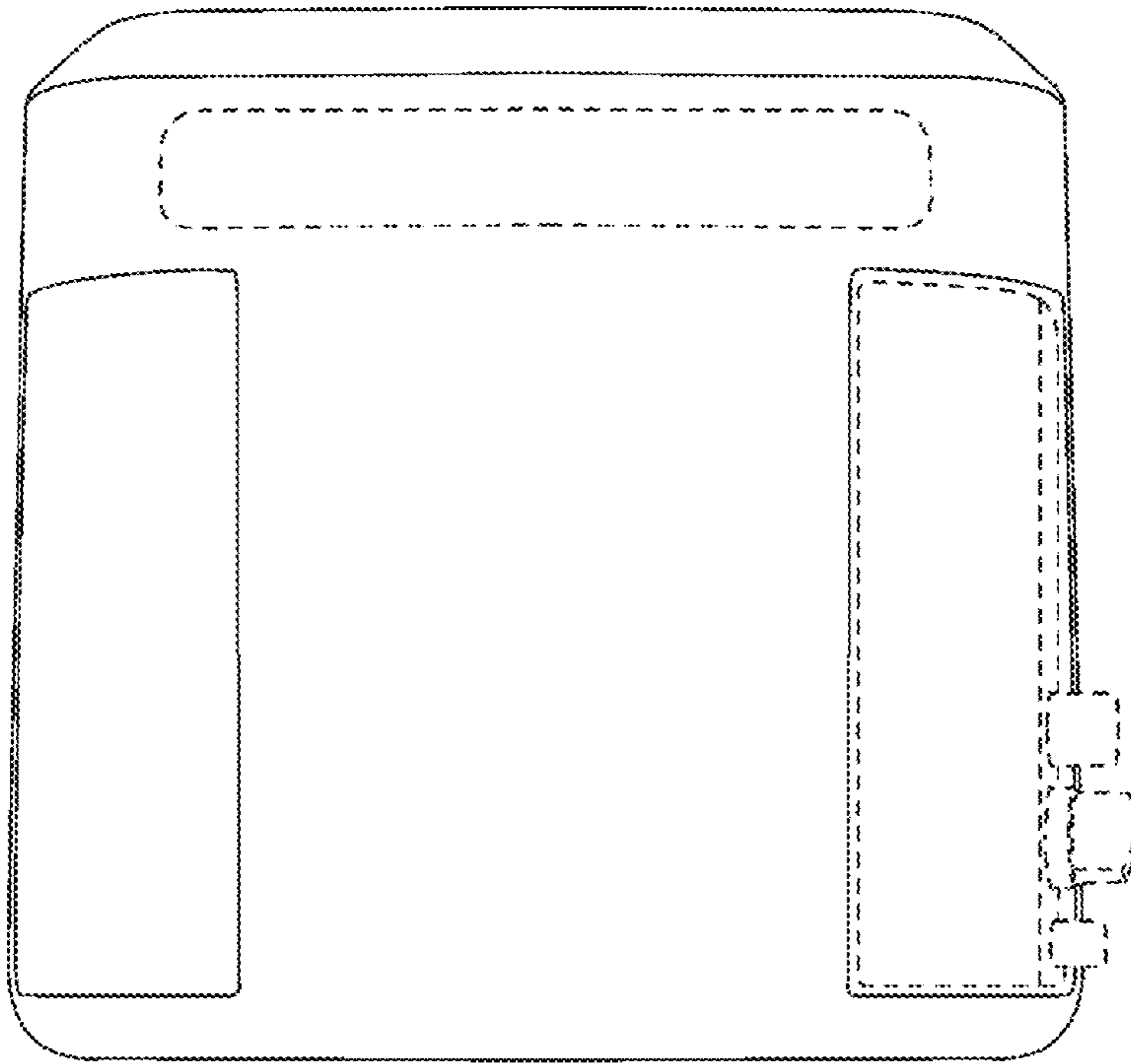


FIG. 3

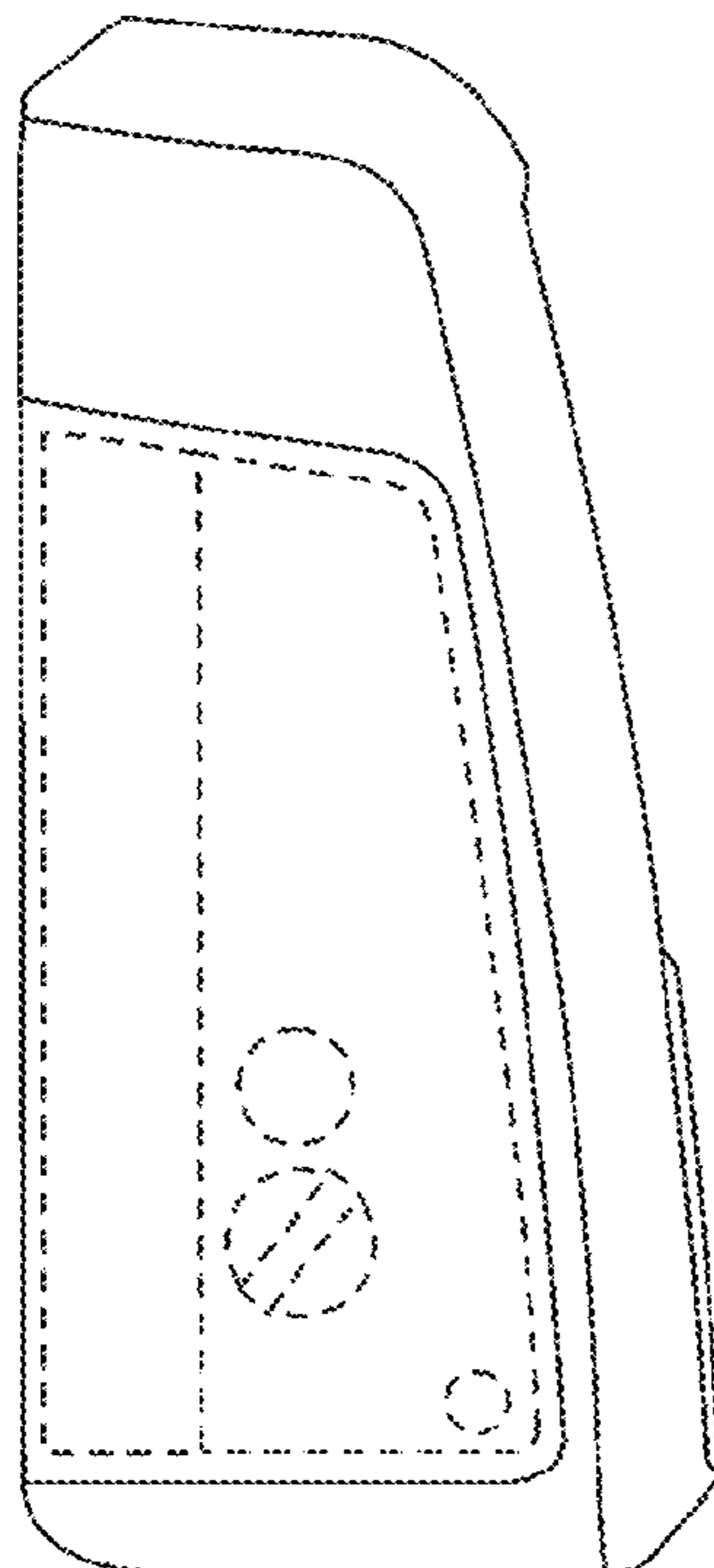


FIG. 4

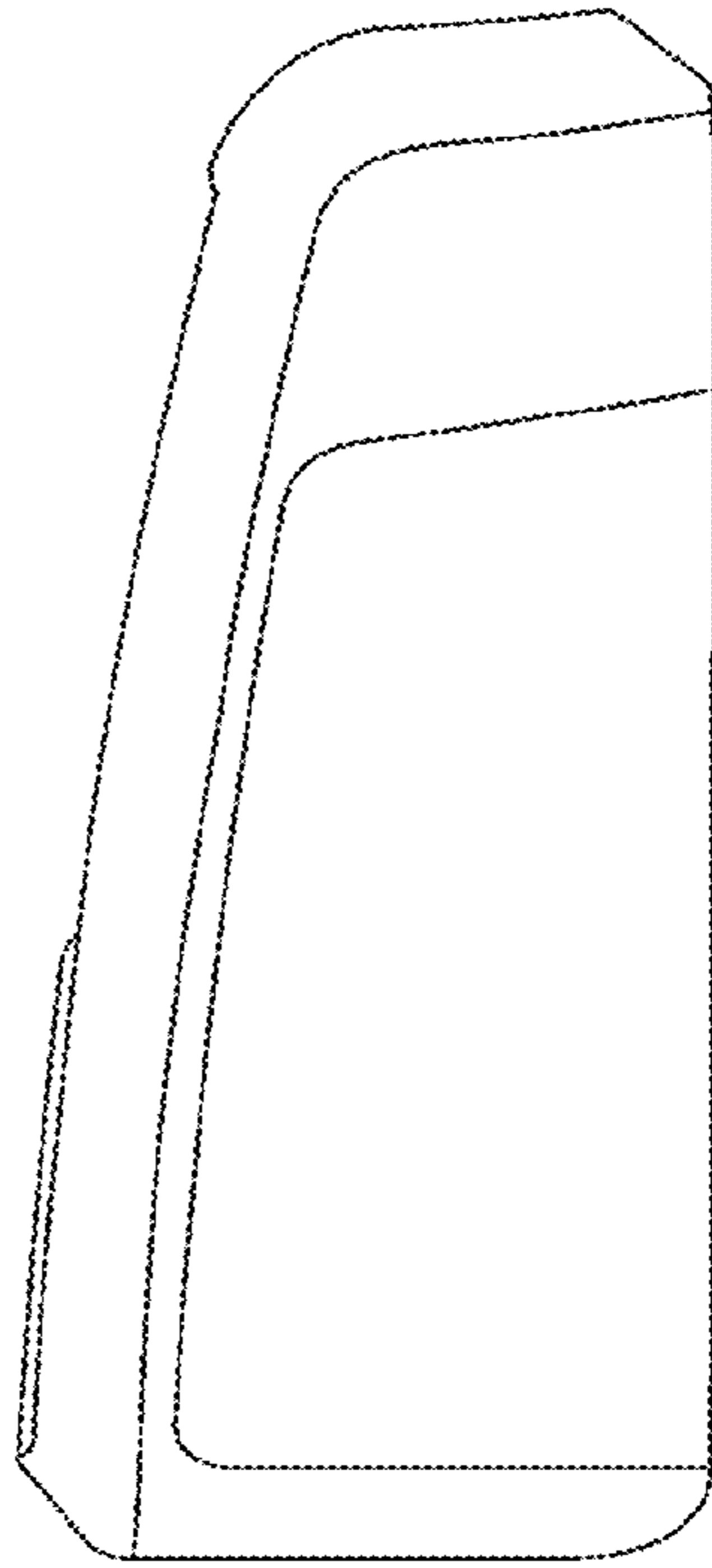


FIG. 5

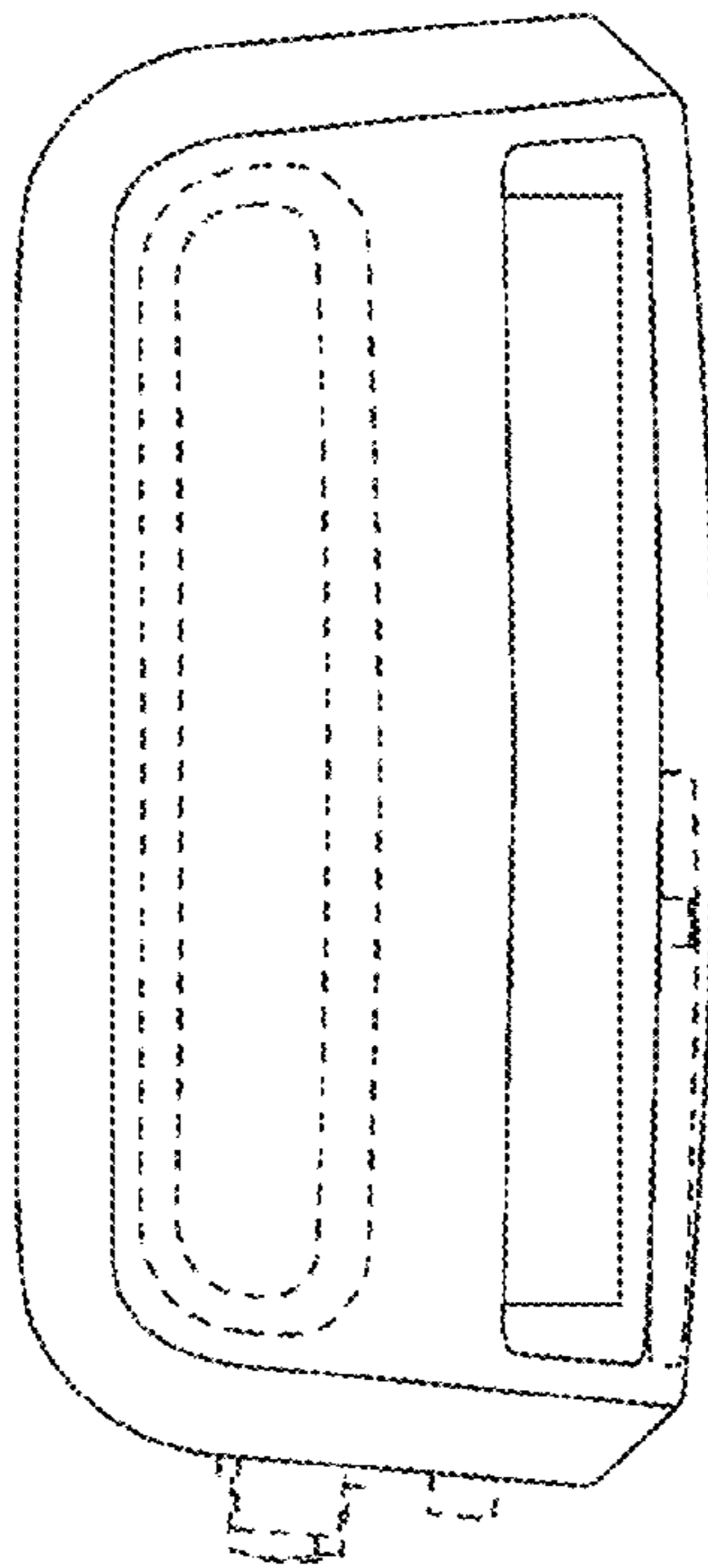


FIG. 6

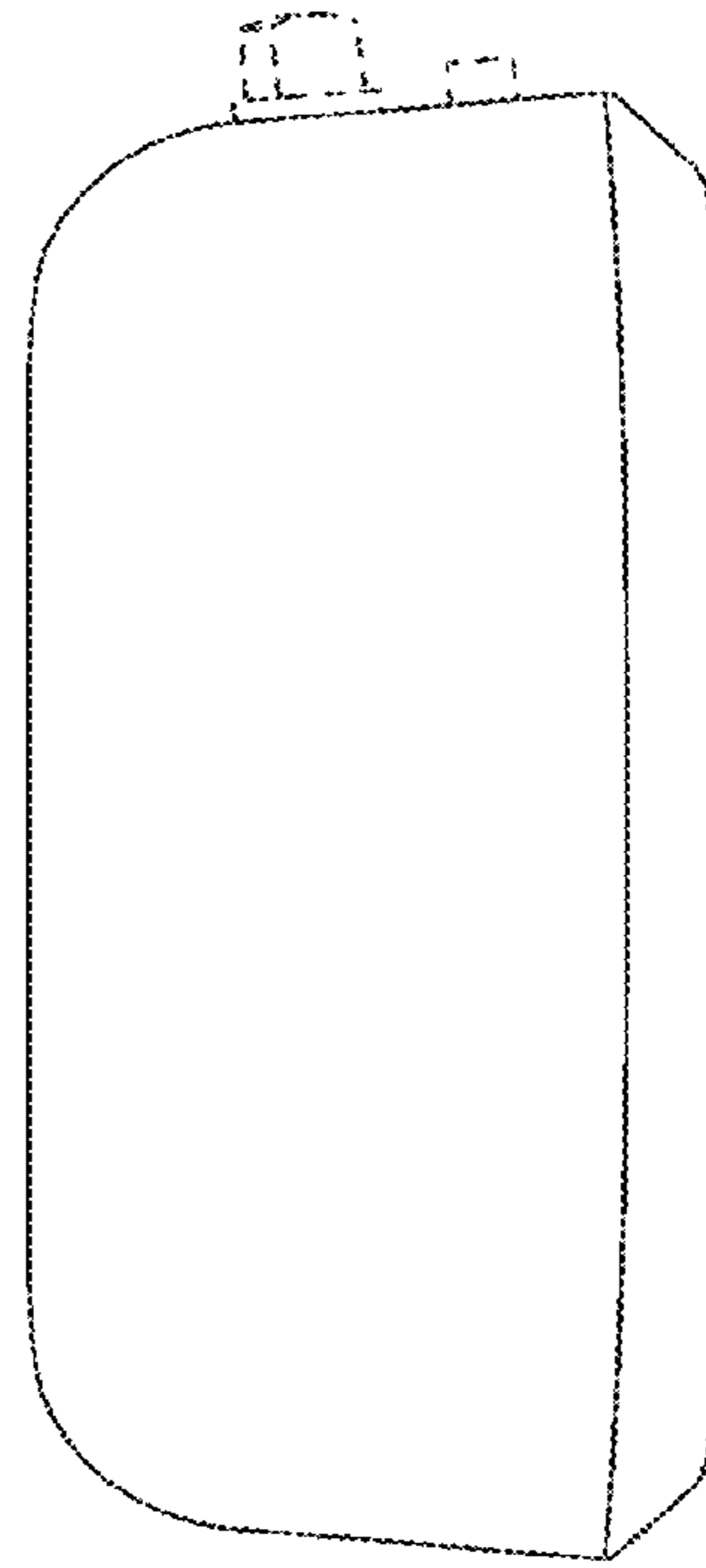


FIG. 7

UNITED STATES PATENT AND TRADEMARK OFFICE
CERTIFICATE OF CORRECTION

PATENT NO. : D759,820 S
APPLICATION NO. : 29/527886
DATED : June 21, 2016
INVENTOR(S) : Karin Blomquist et al.

Page 1 of 5

It is certified that error appears in the above-identified patent and that said Letters Patent is hereby corrected as shown below:

On the Title Page

Illustrative Fig. 1 is deleted and replaced with attached Title Page consisting of Fig. 1.

In the Drawings

Drawing Sheets 1 of 3-3 consisting of Figs. 1-7 is deleted and replace with attached drawing sheets 1 of 3-3 consisting of Figs. 1-7.

In the Specification

After the last paragraph, please add the following new paragraph:

High-quality copies of the drawings of Figures 1-7 are available in the U.S. Patent and Trademark Office's electronic record of this patent.

Signed and Sealed this
Twenty-seventh Day of June, 2017



Joseph Matal
*Performing the Functions and Duties of the
Under Secretary of Commerce for Intellectual Property and
Director of the United States Patent and Trademark Office*

(12) **United States Design Patent**
Blomquist et al.

(10) **Patent No.:** **US D759,820 S**
(45) **Date of Patent:** **** Jun. 21, 2016**

(54) **VENTILATOR CORE**
(71) Applicant: **Maquet Critical Care AB, Solna (SE)**
(72) Inventors: **Karin Blomquist, Sollentuna (SE); Magnus Olsson, Enskede (SE); Stina Jublin, Gustavsberg (SE)**
(73) Assignor: **Maquet Critical Care AB, Solna (SE)**
(**) Term: **15 Years**
(21) Appl. No.: **29/527,686**
(22) Filed: **May 22, 2015**

D708,733 S * 7/2014 Ng D24/116
D719,262 S * 12/2014 Wong D24/158
D731,992 S * 6/2015 Bunkle D14/126
D733,887 S * 7/2015 Blomquist D24/164
D735,343 S * 7/2015 Deasey D24/186
D739,938 S * 9/2015 Blomquist D24/182

* cited by examiner

Primary Examiner --- Holly Hayahan
Assistant Examiner --- Rhoe Shields
(74) *Attorney, Agent, or Firm* --- Schiff Hardin LLP

(57) **CLAIM**
The ornamental design for a ventilator core, as shown and described.

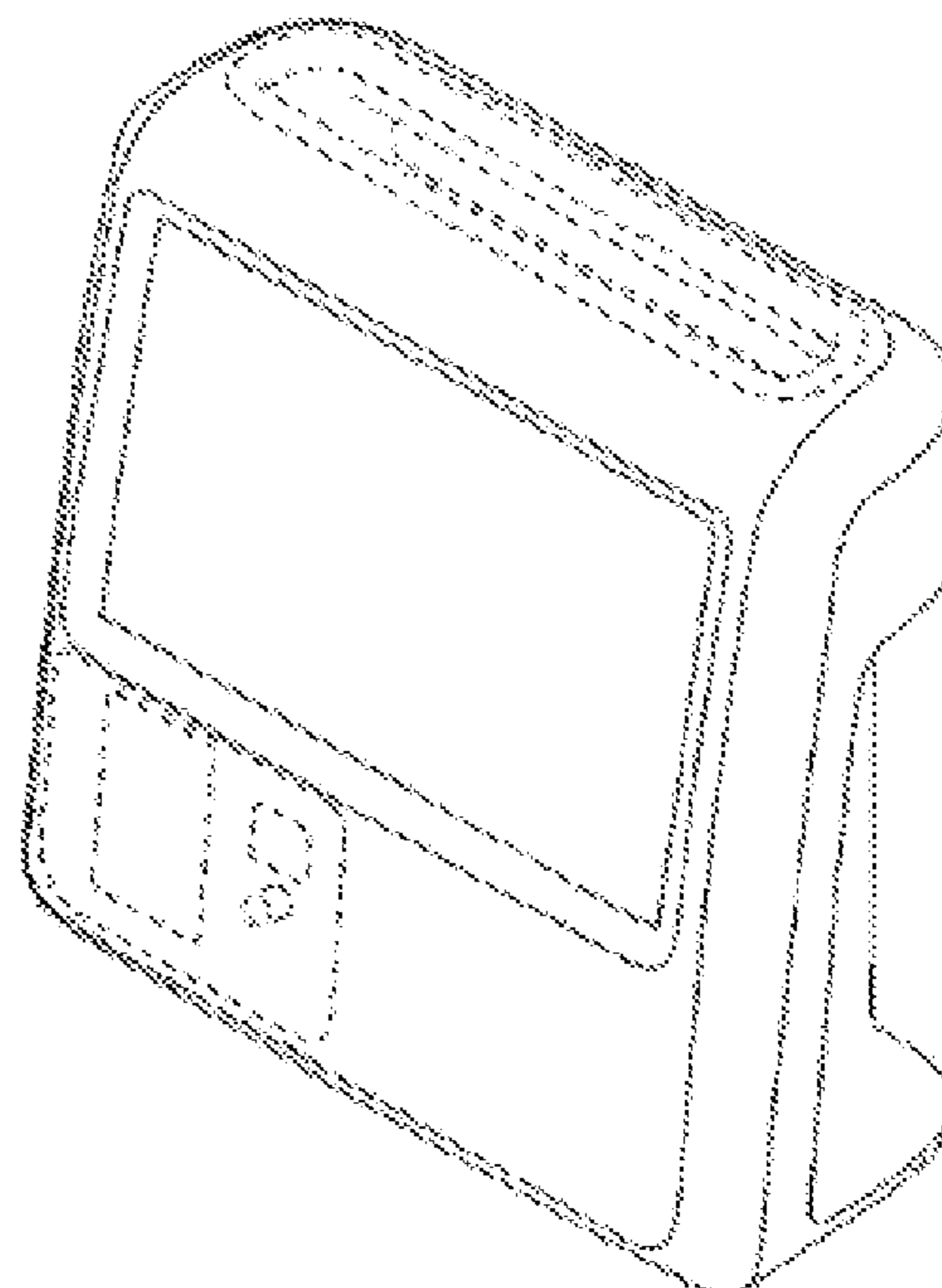
(30) **Foreign Application Priority Data**
Nov. 25, 2014 (EM) 2584441
(51) **LOC (10) CL** **24-00**
(52) **U.S. CL**
USPC **D24/164**
(58) **Field of Classification Search**
USPC D24/164, 185, 188, 110, 172, 162;
600/407; 128/202.27, 108/147.19;
D34/14
CPC A61B 5/0002; A61M 16/0051; A61G
12/001
See application file for complete search history.

DESCRIPTION

FIG. 1 is a perspective of a ventilator core taken from a direction between a front side and a right side of the ventilator;
FIG. 2 is a front elevational view of the ventilator core of FIG. 1;
FIG. 3 is a back elevational view of the ventilator core of FIG. 1;
FIG. 4 is a left side elevational view of the ventilator core of FIG. 1;
FIG. 5 is a right side elevational view of the ventilator core of FIG. 1;
FIG. 6 is a top plan view of the ventilator core of FIG. 1; and
FIG. 7 is a bottom plan view of the ventilator core of FIG. 1.
In the drawings, the broken lines are for the purpose of illustrating environment only and form no part of the claimed design.

(56) **References Cited**
U.S. PATENT DOCUMENTS
D552,242 S * 10/2007 Gorenst D24/172
D702,640 S * 4/2014 Blomquist D24/168

1 Claim, 3 Drawing Sheets



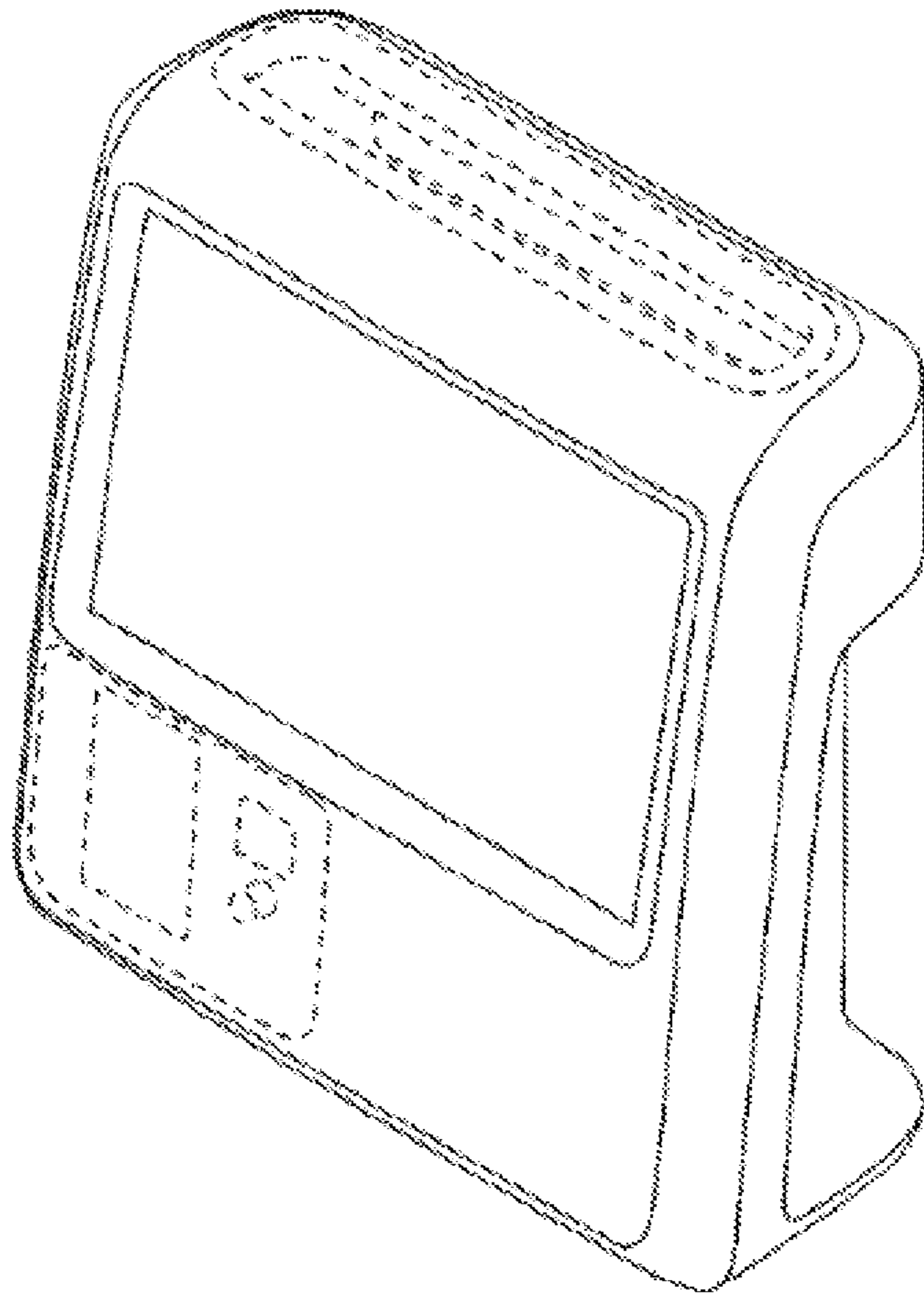


FIG. 1

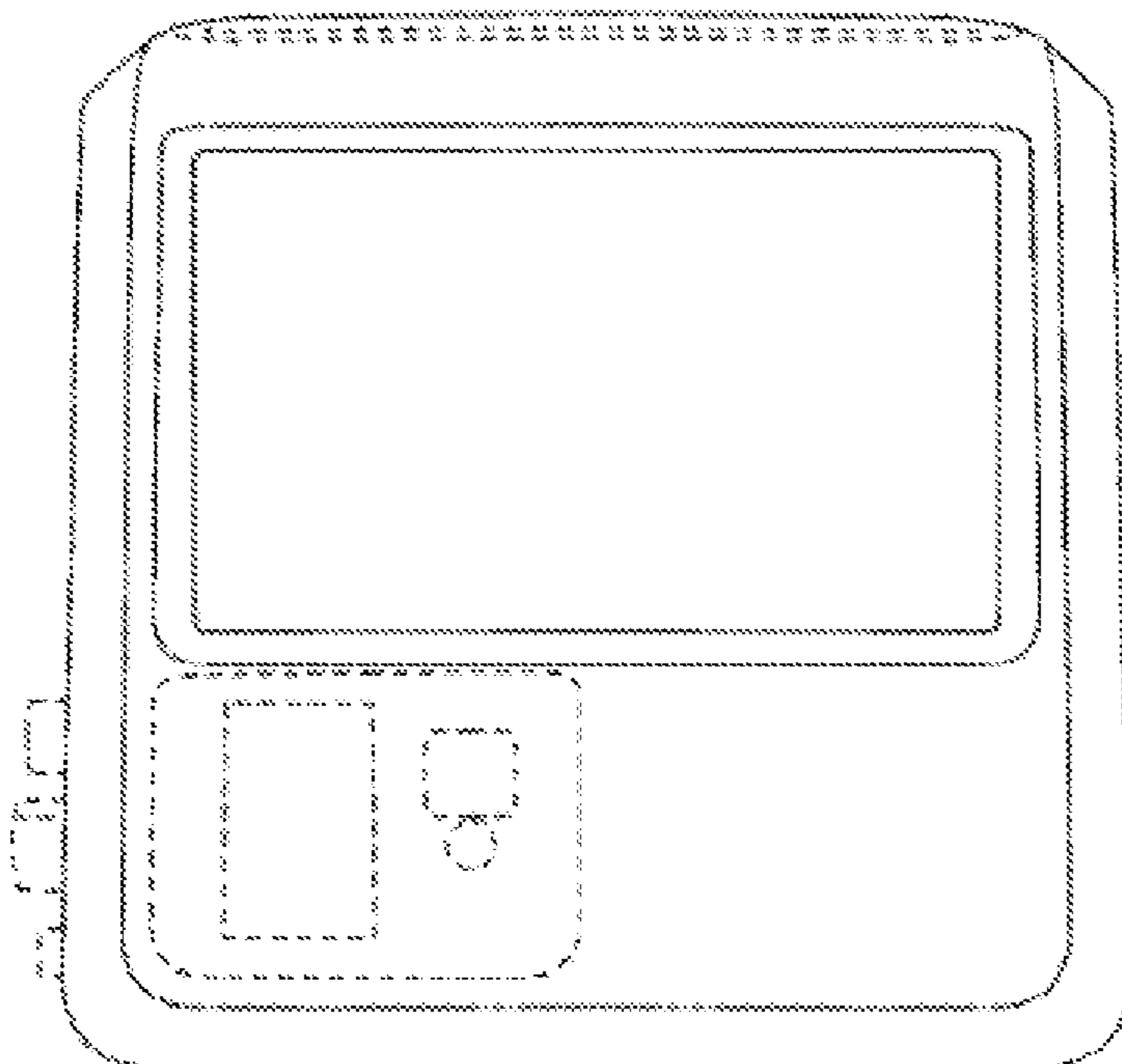


FIG. 2

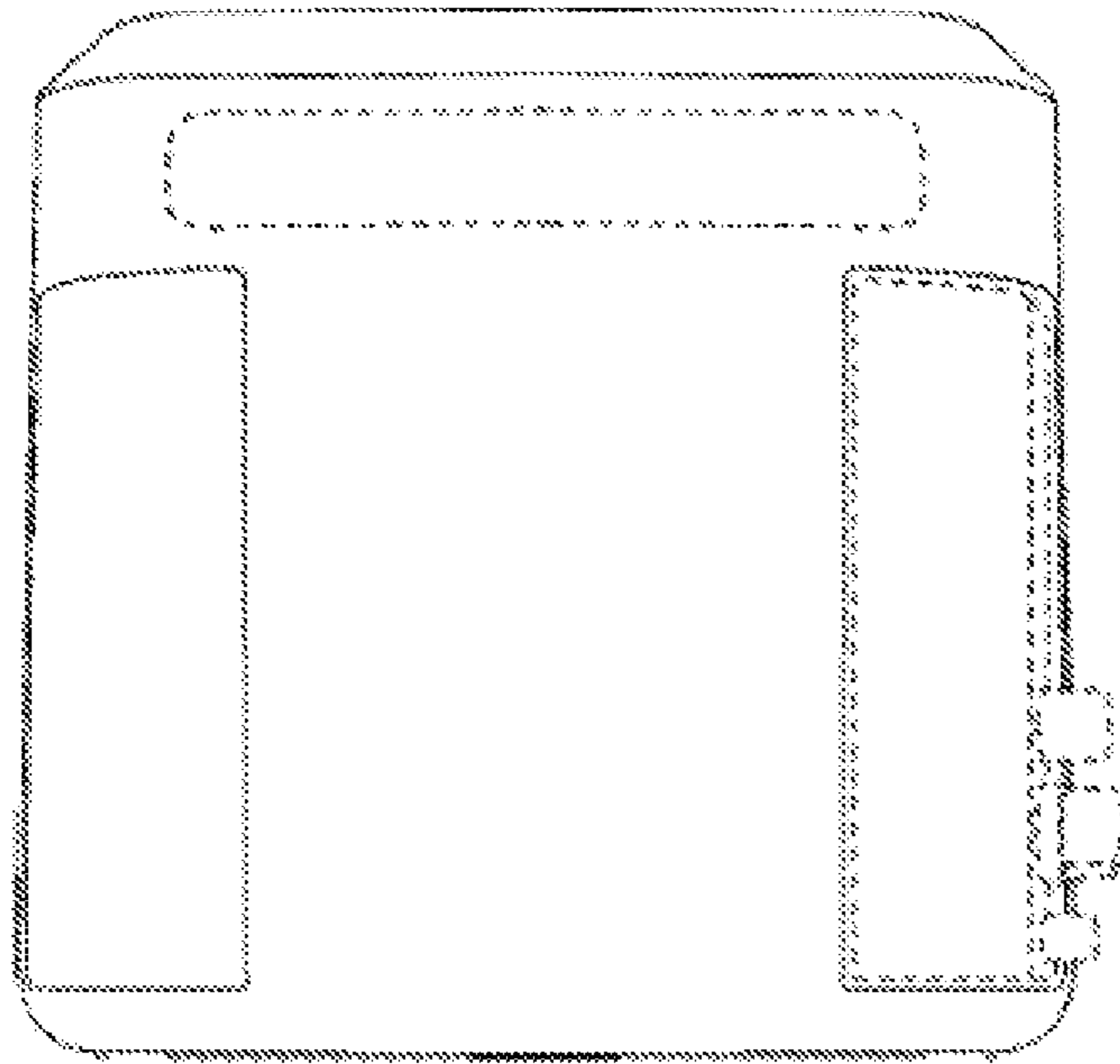


FIG. 3

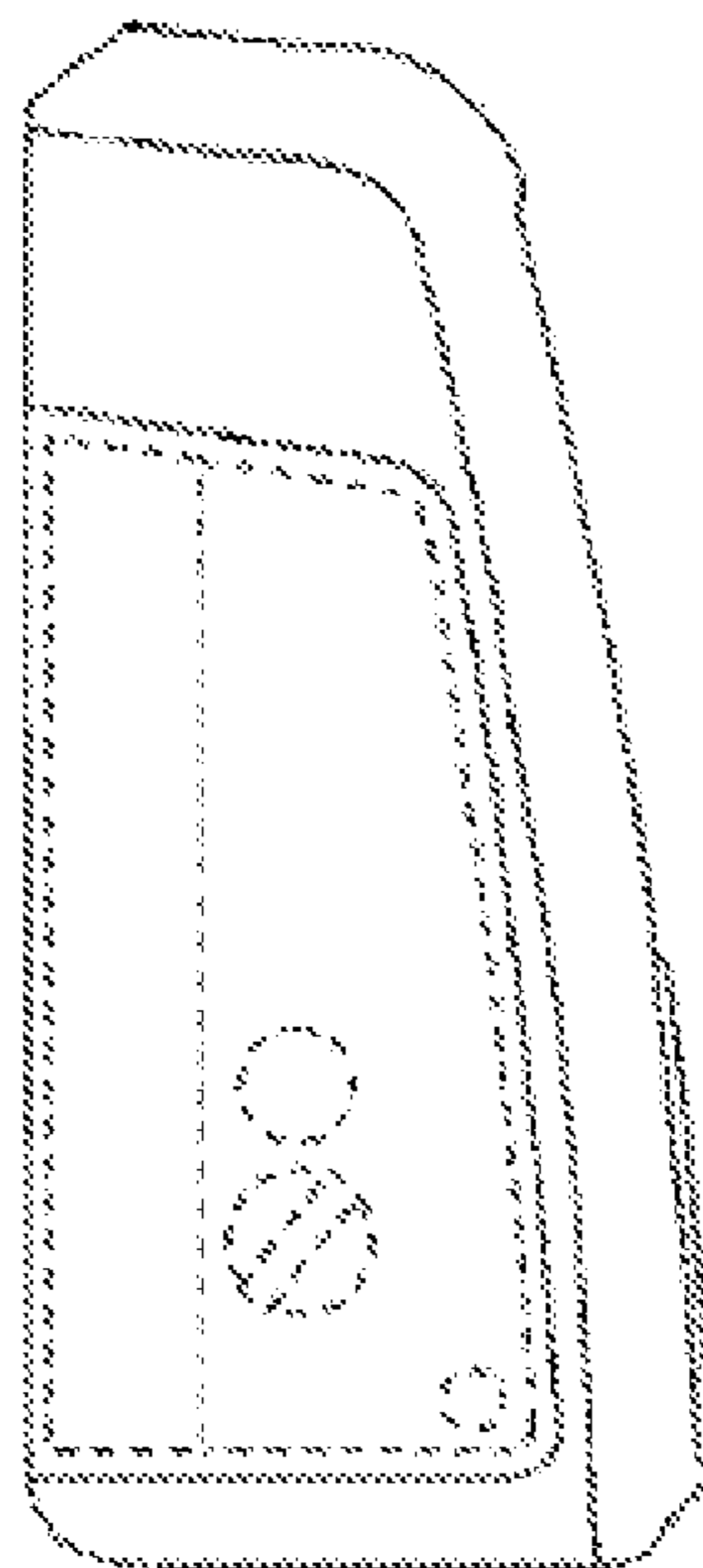


FIG. 4

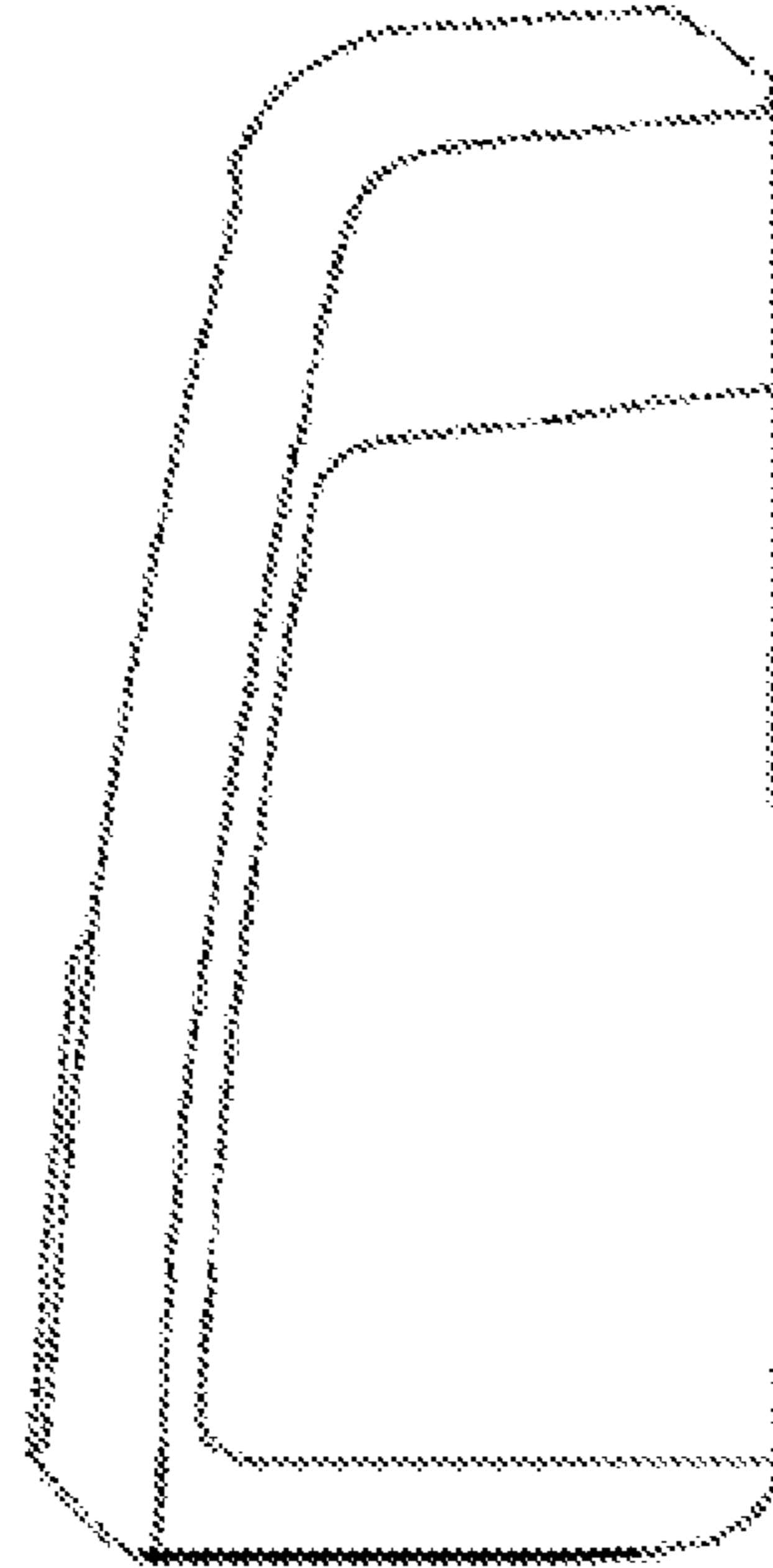


FIG. 5

FIG. 6

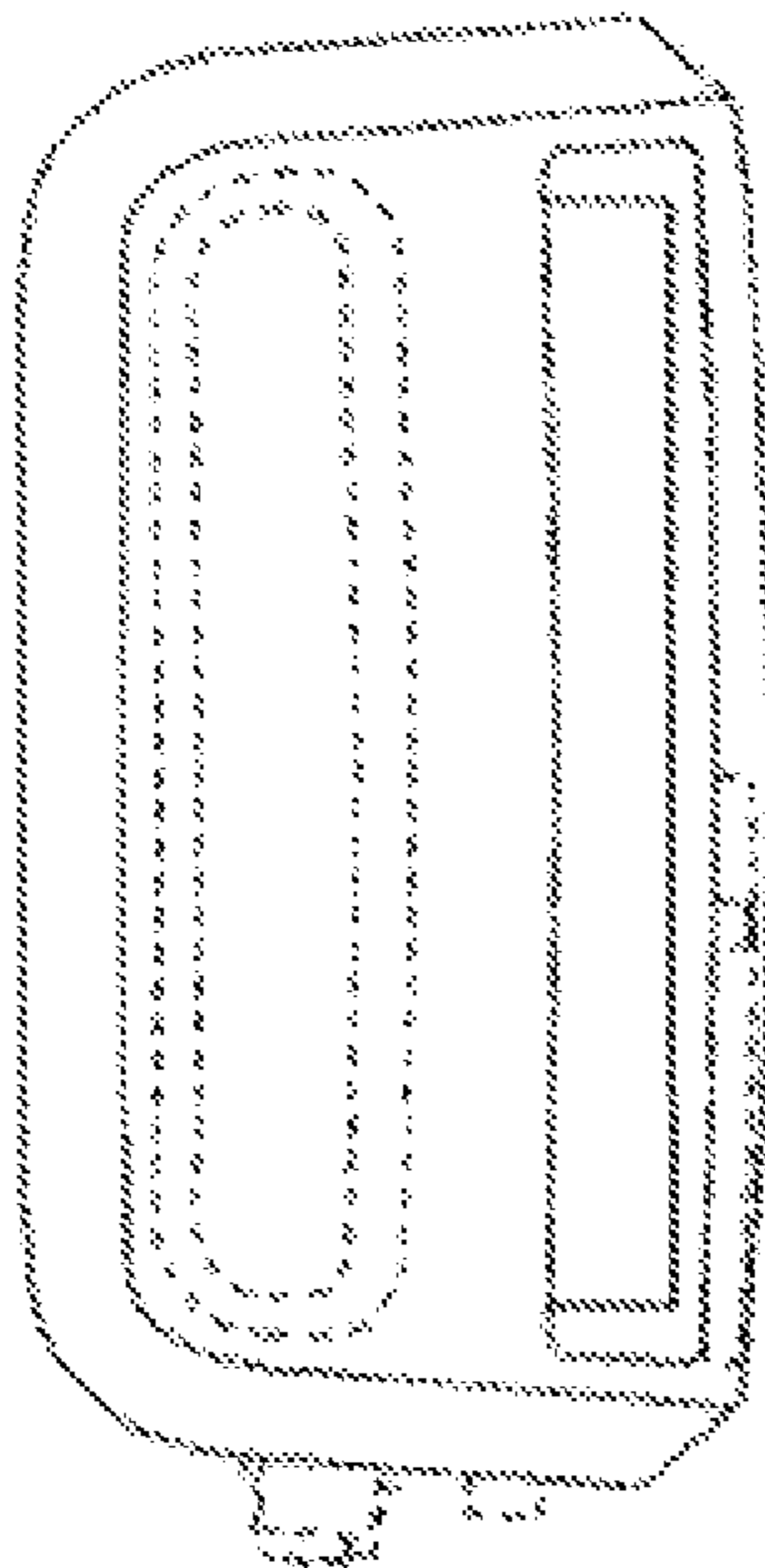


FIG. 7

