



US00D759819S

(12) **United States Design Patent**
Goldberg

(10) **Patent No.:** **US D759,819 S**
(45) **Date of Patent:** **** Jun. 21, 2016**

(54) **GLENOID IMPLANT**
(71) Applicant: **CATALYST ORTHOPAEDICS LLC,**
Naples, FL (US)
(72) Inventor: **Steven S. Goldberg,** Naples, FL (US)
(73) Assignee: **CATALYST ORTHOPAEDICS LLC,**
Naples, FL (US)

4,986,833 A 1/1991 Worland
5,030,219 A * 7/1991 Matsen et al. 606/53
5,032,132 A * 7/1991 Matsen et al. 623/19.11
5,489,310 A * 2/1996 Mikhail 623/19.11
5,702,447 A 12/1997 Walch
5,800,551 A 9/1998 Williamson
5,919,195 A 7/1999 Wilson
5,928,285 A 7/1999 Bigliani
6,245,074 B1 6/2001 Allard
6,364,910 B1 4/2002 Shultz

(Continued)

(**) Term: **14 Years**
(21) Appl. No.: **29/524,099**
(22) Filed: **Apr. 16, 2015**

FOREIGN PATENT DOCUMENTS

AU 2013209336 2/2014
CA 2821529 1/2014

(Continued)

Related U.S. Application Data

(63) Continuation of application No. 29/468,456, filed on Sep. 30, 2013, now Pat. No. Des. 730,522, which is a continuation of application No. 14/042,258, filed on Sep. 30, 2013.

(51) **LOC (10) Cl.** **24-00**
(52) **U.S. Cl.**
USPC **D24/155**

(58) **Field of Classification Search**
USPC D24/171, 155, 147, 33; 606/80, 86 R,
606/87; 623/19.14, 19.13, 908, 23.44,
623/23.46, 23.43, 19.11, 11.11, 23.26,
623/23.27, 20.21

See application file for complete search history.

(56) **References Cited**

U.S. PATENT DOCUMENTS

4,106,130 A 8/1978 Scales
4,206,517 A 6/1980 Pappas
4,550,450 A 11/1985 Kinnett
4,865,605 A * 9/1989 Dines et al. 623/19.14
4,964,865 A * 10/1990 Burkhead et al. 623/19.11

Primary Examiner — Holly Baynham

Assistant Examiner — Rhea Shields

(74) *Attorney, Agent, or Firm* — Maywood IP Law; G. Jo Hays; David W. Meibos

(57) **CLAIM**

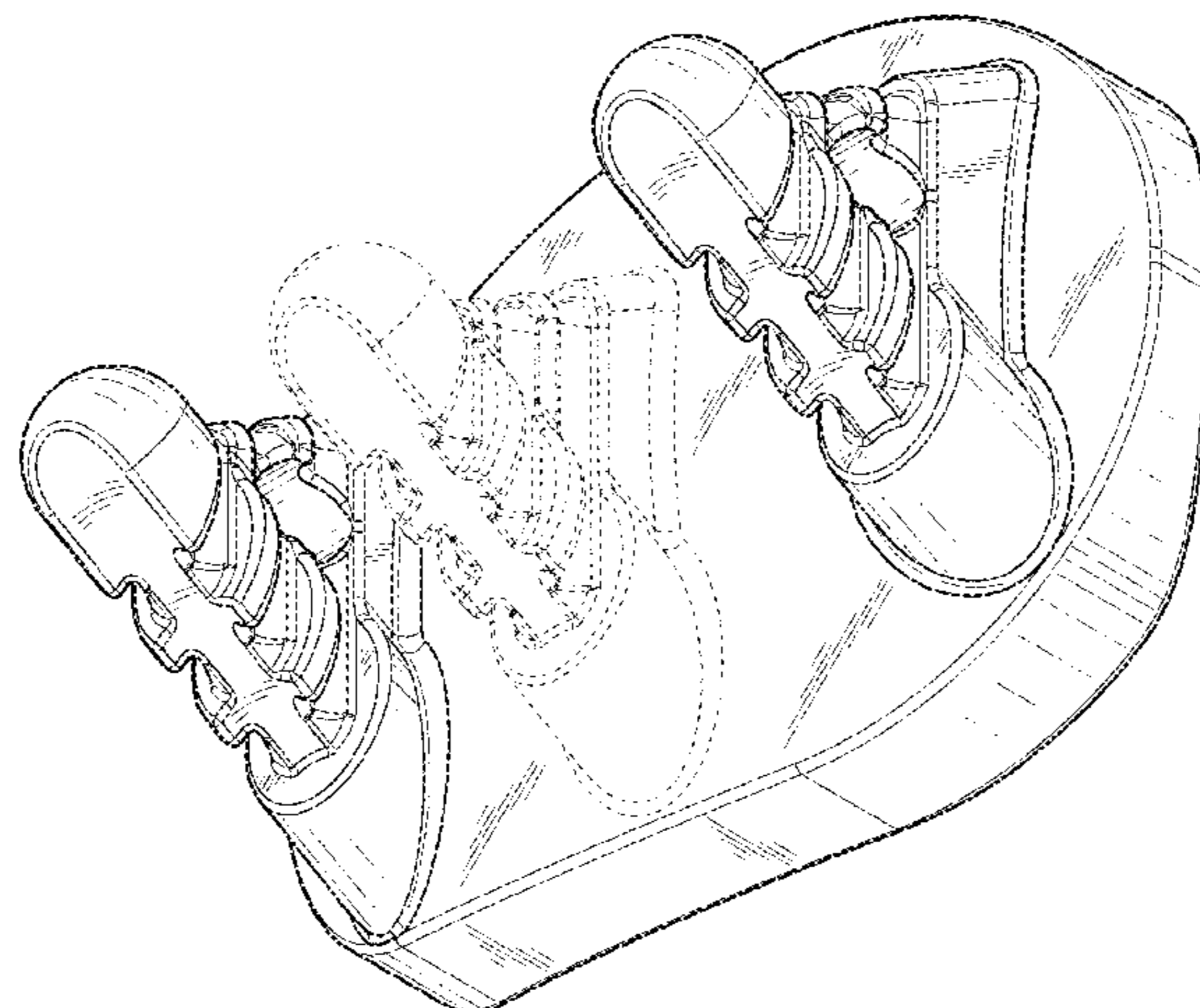
The ornamental design for a glenoid implant, as shown and described.

DESCRIPTION

FIG. 1 is a back left perspective view of a glenoid implant; FIG. 2 is a back right perspective view of the glenoid implant; FIG. 3 is a front left perspective view of the glenoid implant; FIG. 4 is a front view of the glenoid implant; FIG. 5 is a back view of the glenoid implant; FIG. 6 is a left view of the glenoid implant; FIG. 7 is a right view of the glenoid implant; FIG. 8 is a bottom view of the glenoid implant; and, FIG. 9 is a top view of the glenoid implant.

In the drawings, the broken lines depict environmental subject matter only and form no part of the claimed design.

1 Claim, 8 Drawing Sheets



(56)

References Cited

U.S. PATENT DOCUMENTS

6,406,495 B1 * 6/2002 Schoch 623/19.13
 6,673,115 B2 1/2004 Resch
 6,679,916 B1 1/2004 Frankle
 6,783,549 B1 8/2004 Stone
 6,911,047 B2 6/2005 Rockwood, Jr.
 7,160,328 B2 1/2007 Rockwood, Jr.
 7,204,854 B2 * 4/2007 Guederian et al. 623/19.11
 7,294,149 B2 11/2007 Hozack
 7,621,962 B2 11/2009 Lakin
 7,670,382 B2 3/2010 Parrott
 7,780,669 B2 8/2010 Lechot
 7,867,234 B2 1/2011 Collazo
 8,048,161 B2 * 11/2011 Guederian et al. 623/19.13
 8,080,063 B2 12/2011 Ferrand
 8,157,866 B2 4/2012 Winslow
 8,308,809 B2 11/2012 Bishop
 8,425,614 B2 * 4/2013 Winslow et al. 623/19.11
 8,444,646 B2 5/2013 Long
 8,465,548 B2 6/2013 Long
 8,480,674 B1 7/2013 Roger
 8,540,778 B2 9/2013 Rhodes
 8,876,907 B2 11/2014 Baptista
 D730,522 S 5/2015 Goldberg
 2002/0082702 A1 6/2002 Resch
 2003/0187449 A1 10/2003 McCleary
 2003/0204263 A1 10/2003 Justin
 2005/0049709 A1 3/2005 Tornier
 2005/0222572 A1 10/2005 Chana
 2006/0074430 A1 * 4/2006 Deffenbaugh et al. 606/87
 2006/0111787 A1 5/2006 Bailie
 2007/0055380 A1 * 3/2007 Berelsman et al. 623/19.11
 2007/0142917 A1 * 6/2007 Roche et al. 623/19.11
 2007/0219637 A1 * 9/2007 Berelsman et al. 623/19.11
 2007/0219638 A1 9/2007 Jones

2007/0225817 A1 * 9/2007 Reubelt et al. 623/19.11
 2007/0225818 A1 9/2007 Reubelt
 2009/0125113 A1 * 5/2009 Guederian et al. 623/19.11
 2009/0192621 A1 7/2009 Winslow
 2009/0226068 A1 9/2009 Fitz
 2010/0161065 A1 * 6/2010 Williams et al. 623/19.11
 2010/0241235 A1 9/2010 Basamania
 2011/0035013 A1 * 2/2011 Winslow et al. 623/19.13
 2011/0230972 A1 9/2011 Katrana
 2012/0130498 A1 5/2012 Long
 2012/0130500 A1 5/2012 Maroney
 2012/0209392 A1 8/2012 Angibaud
 2012/0310360 A1 12/2012 Parrott
 2013/0024000 A1 1/2013 Bojarski
 2013/0144393 A1 6/2013 Mutchler
 2014/0031945 A1 * 1/2014 Baptista et al. 623/19.11
 2014/0257495 A1 9/2014 Goldberg
 2015/0119891 A1 4/2015 Goldberg

FOREIGN PATENT DOCUMENTS

EP 1518519 3/2005
 EP 2238949 10/2010
 EP 2446859 5/2012
 EP 2559406 2/2013
 EP 2689751 1/2014
 WO WO9815241 4/1998
 WO WO0018335 4/2000
 WO WO0217822 3/2002
 WO WO2006110896 10/2006
 WO WO2012030794 3/2012
 WO WO2013020026 2/2013
 WO WO2014005644 1/2014
 WO WO2014164265 10/2014
 WO WO2015106136 7/2015

* cited by examiner

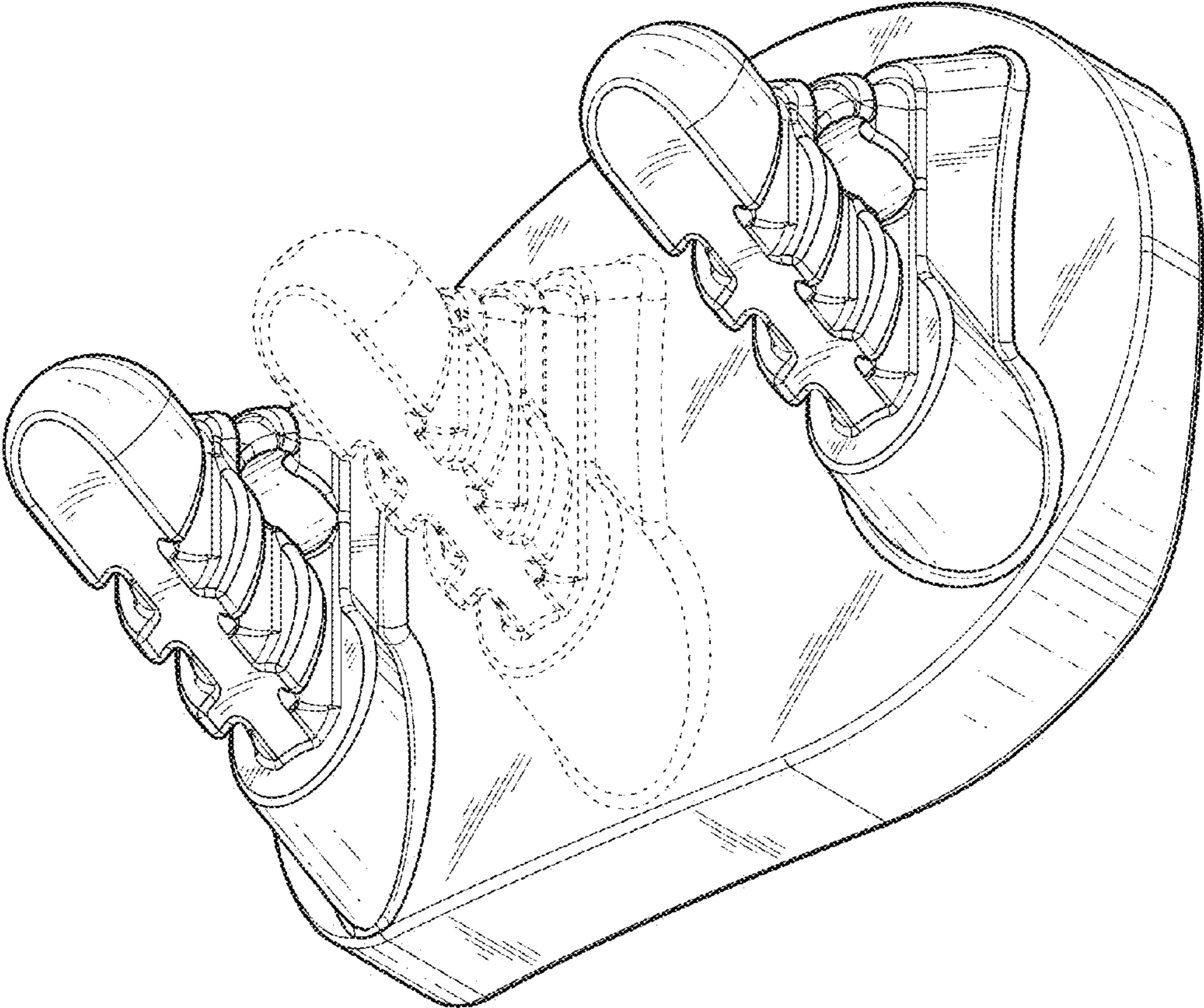


FIG. 1

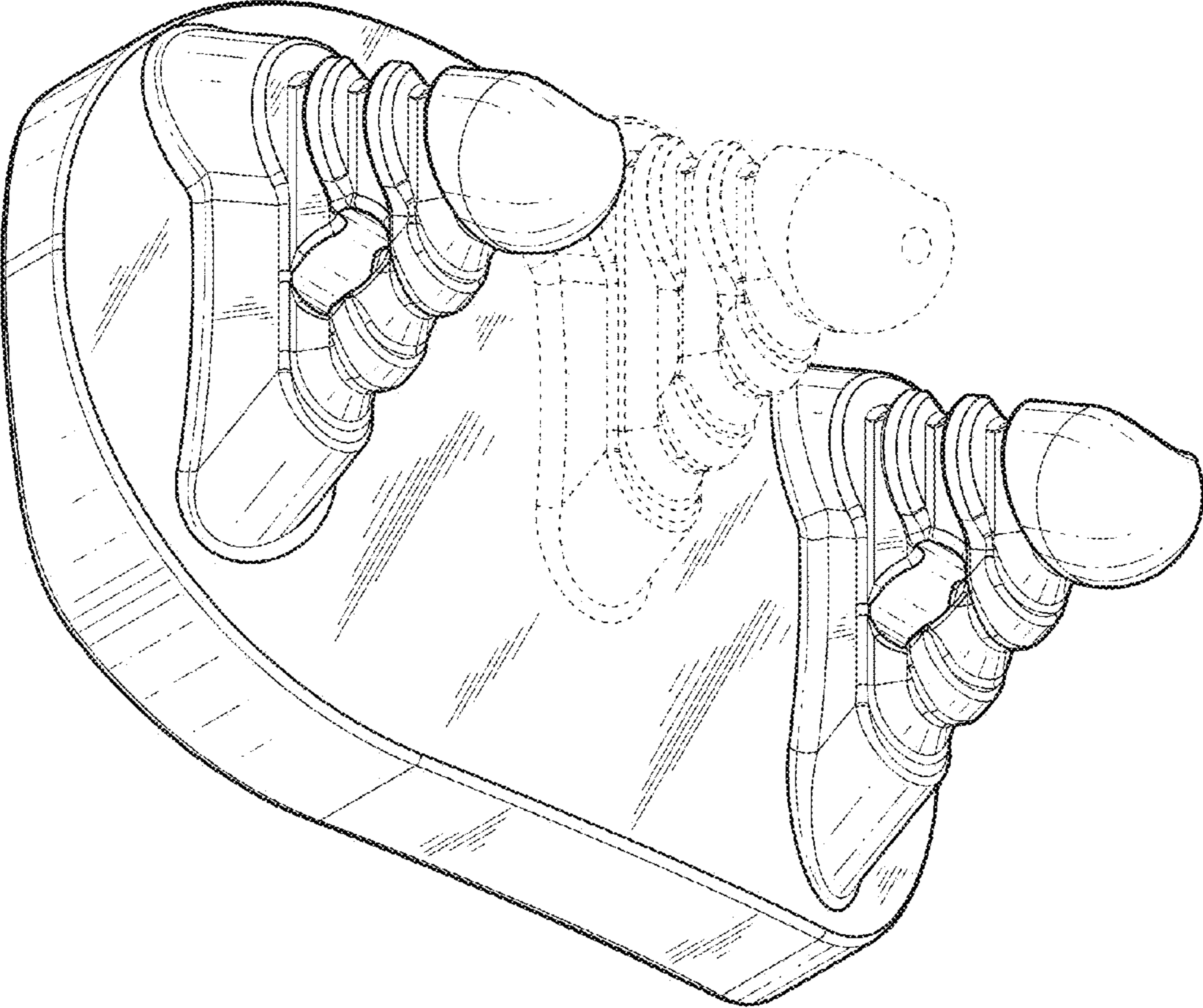


FIG. 2

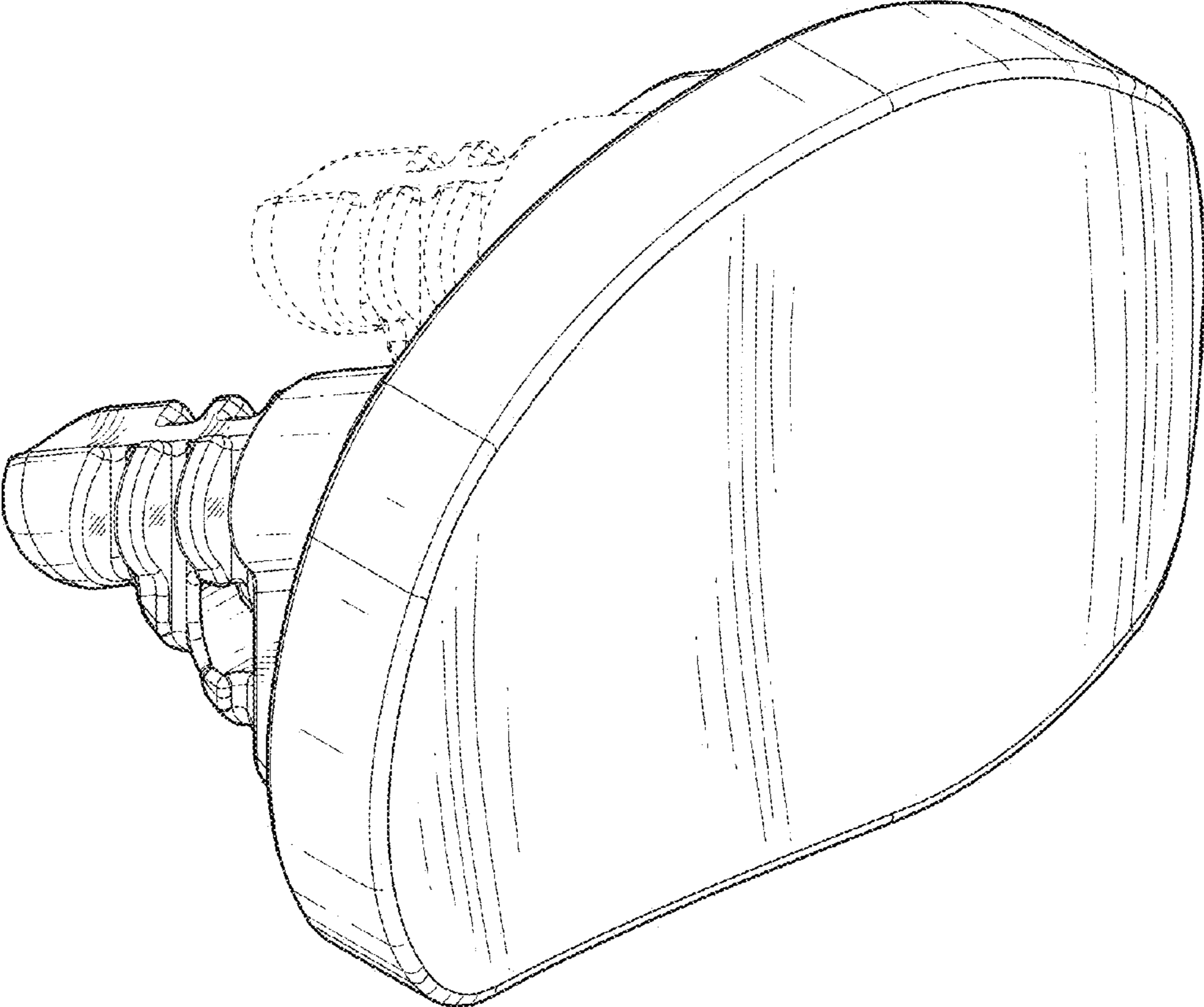


FIG. 3

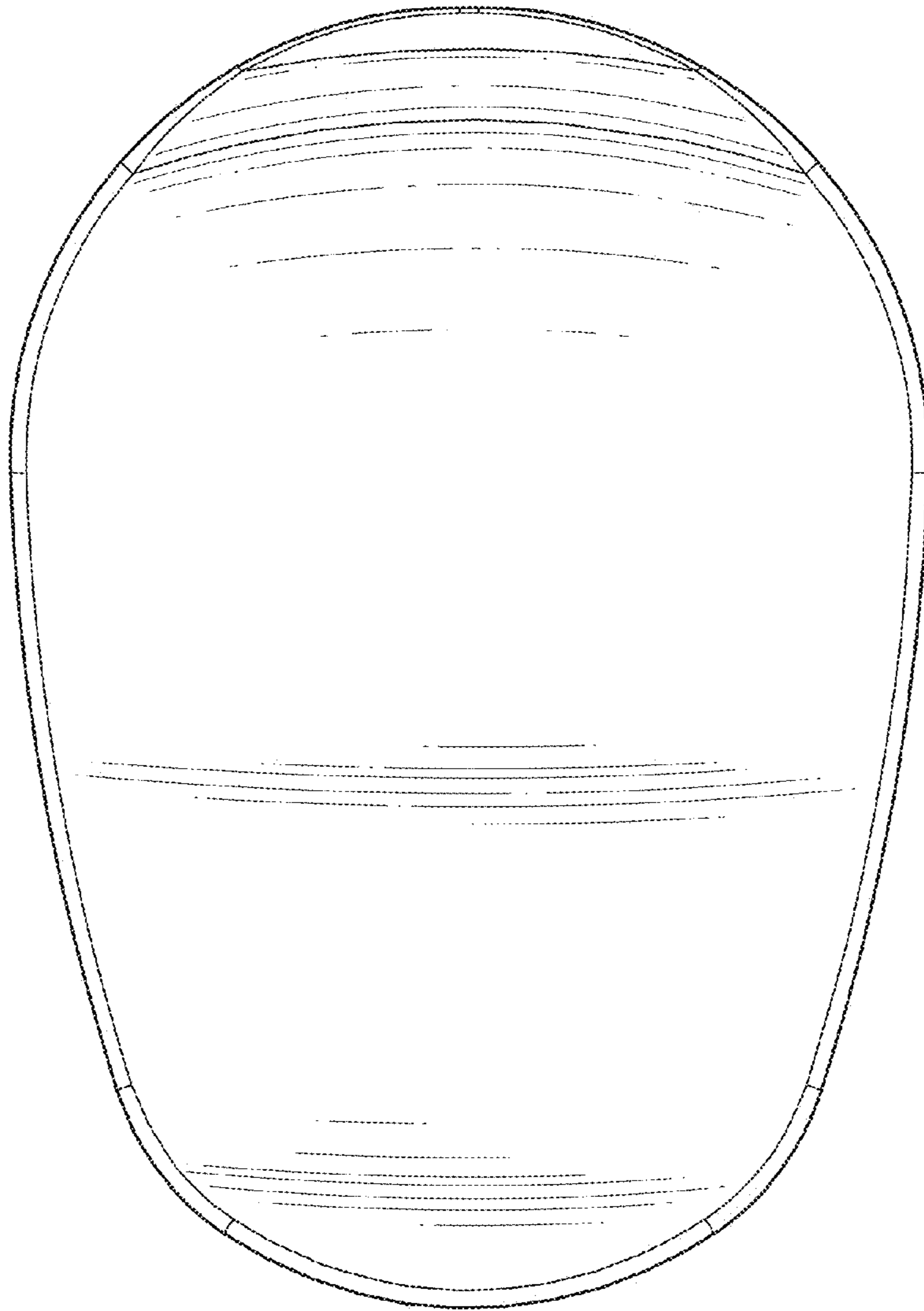


FIG. 4

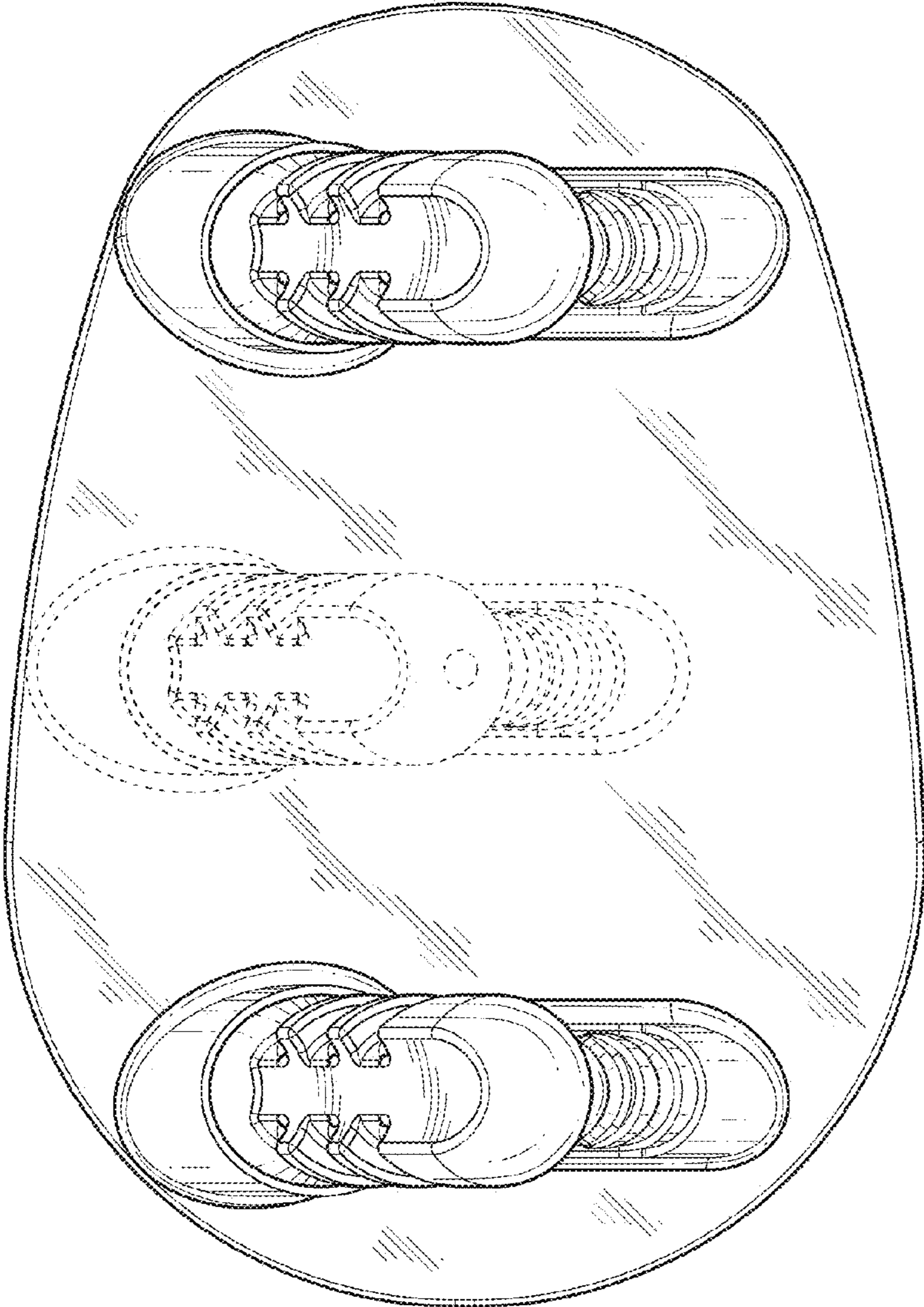


FIG. 5

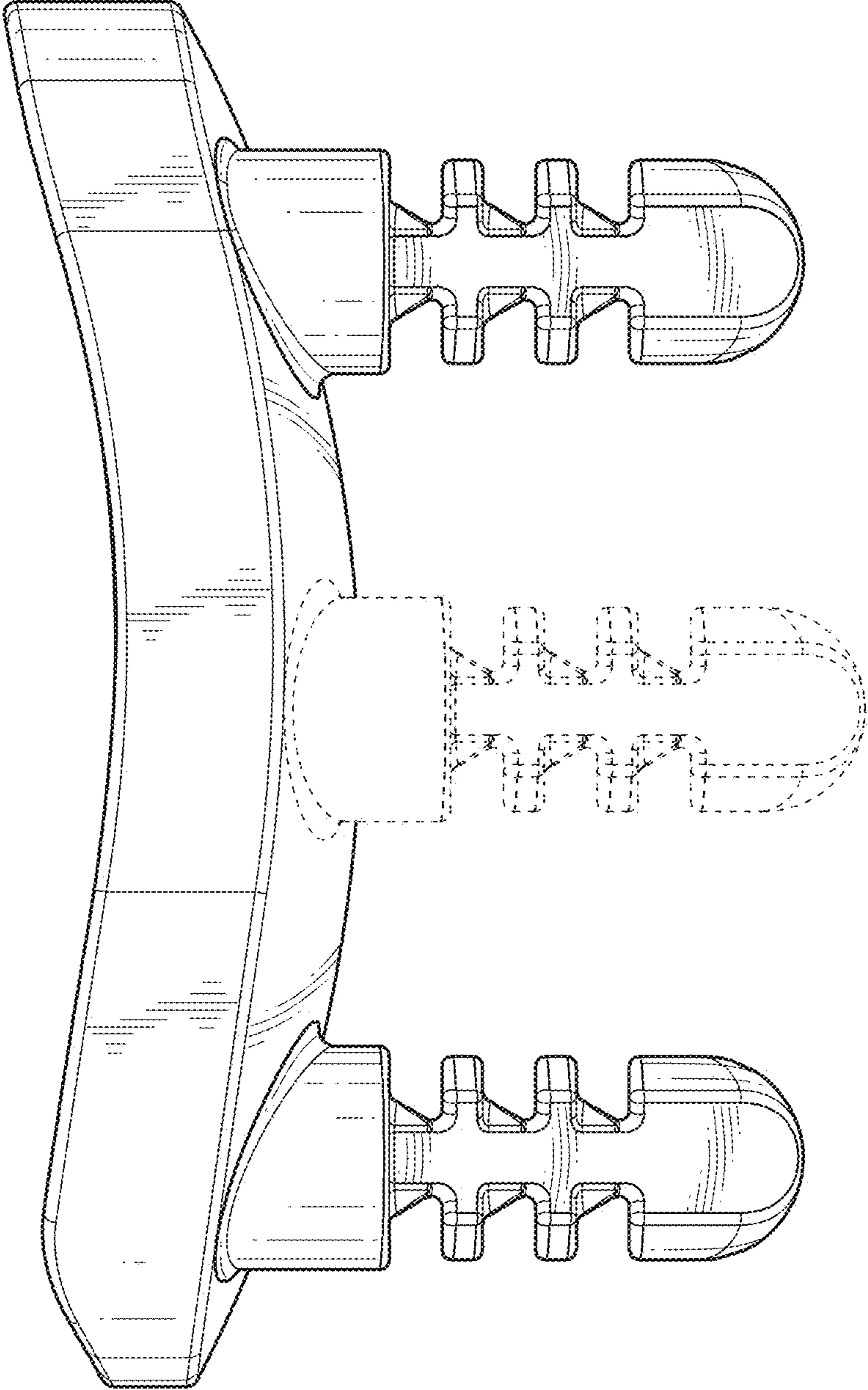


FIG. 6

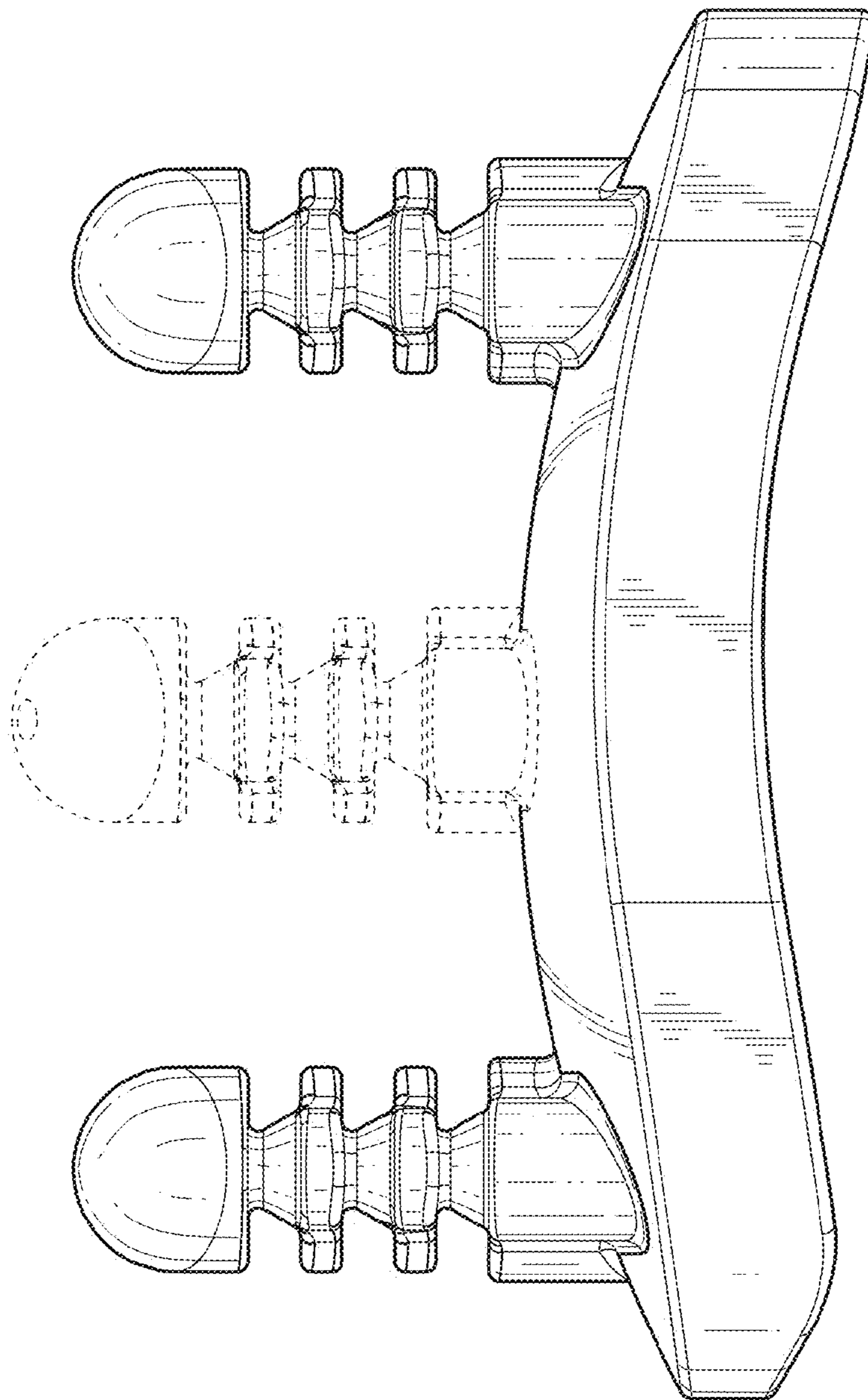


FIG. 7

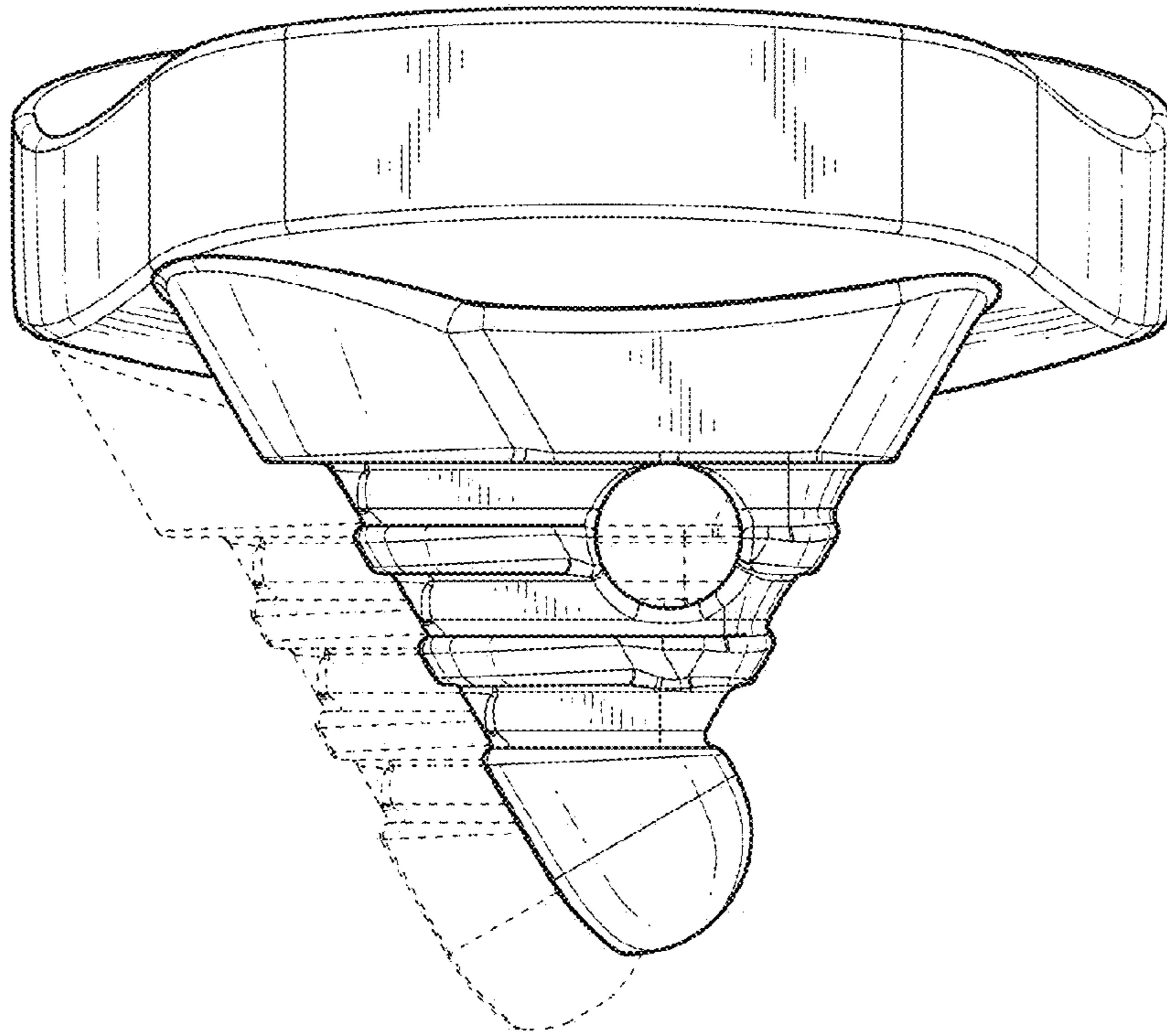


FIG. 9

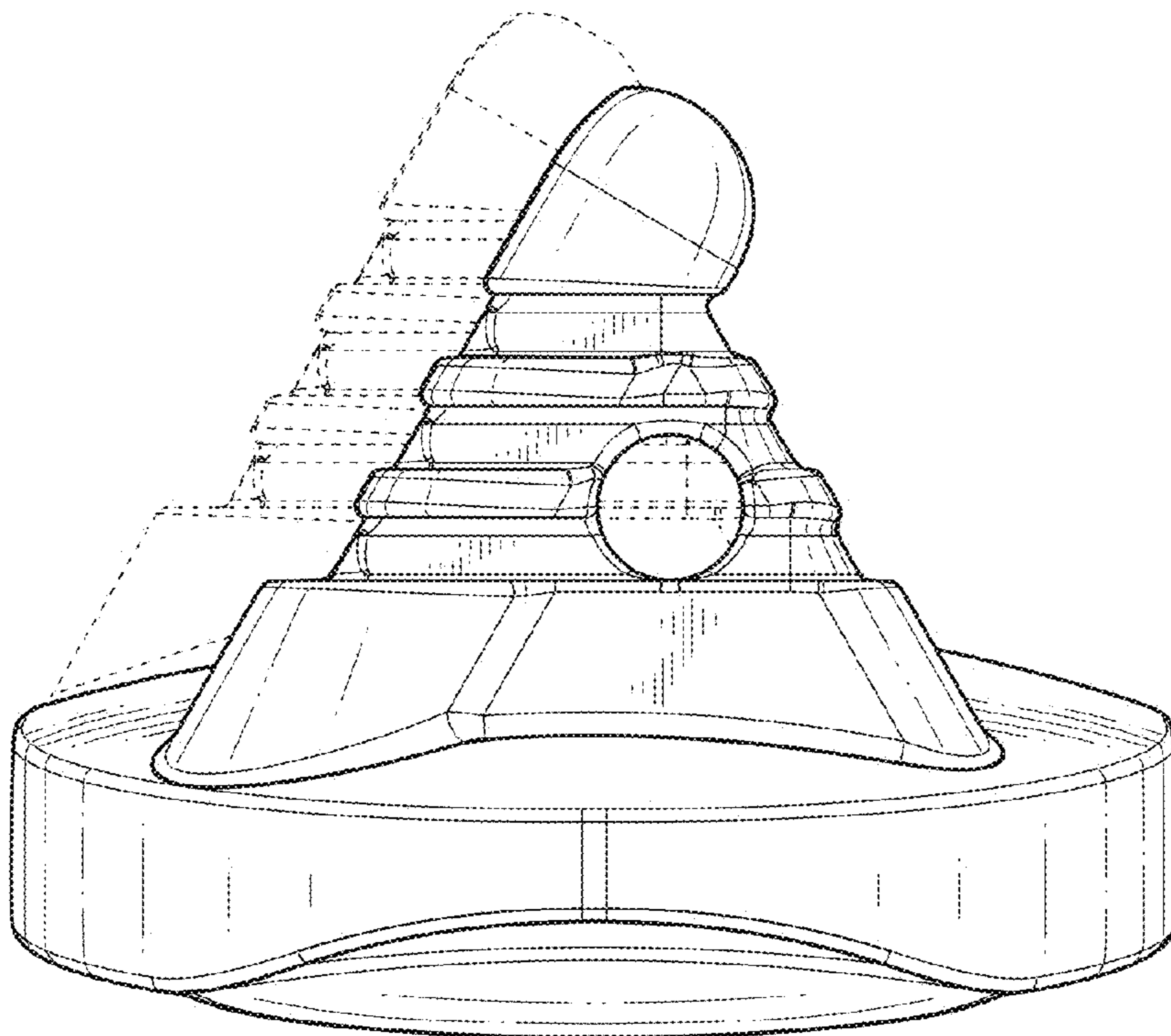


FIG. 8