



US00D759817S

(12) **United States Design Patent**  
**Jodaikin et al.**

(10) **Patent No.:** **US D759,817 S**  
(45) **Date of Patent:** **\*\* Jun. 21, 2016**

(54) **ORAL DEVICE**  
(71) Applicant: **COLLDENT Y.A LTD**, Kiryat Yearim (IL)  
(72) Inventors: **Aharon Jodaikin**, Judean Hills (IL); **Tamar Zemel**, Jerusalem (IL)  
(73) Assignee: **COLLDENT Y.A LTD**, Kiryat Yearim (IL)  
(\*\*) Term: **14 Years**  
(21) Appl. No.: **29/512,298**  
(22) Filed: **Dec. 18, 2014**  
(51) **LOC (10) Cl.** ..... **24-02**  
(52) **U.S. Cl.**  
USPC ..... **D24/152**  
(58) **Field of Classification Search**  
USPC ..... D24/152, 156, 176, 180-181; 433/25, 433/38-40, 44, 80, 148  
CPC ..... A61C 5/125; A61C 5/127; A61C 19/063; A61C 7/00; A61C 7/303  
See application file for complete search history.

6,988,887 B2 \* 1/2006 Hansen ..... A61C 7/00 433/148  
7,118,376 B2 \* 10/2006 Jodaikin ..... A61K 8/0283 433/80  
7,214,058 B2 \* 5/2007 Summer ..... A61C 5/125 433/39  
8,287,277 B2 \* 10/2012 Jodaikin ..... A61C 19/063 433/80  
2001/0049081 A1 \* 12/2001 Krupp ..... A61C 5/127 433/18  
2005/0175959 A1 \* 8/2005 Jodaikin ..... A61C 19/063 433/80  
2008/0113315 A1 \* 5/2008 Beggs ..... A61C 7/00 433/149  
2015/0125810 A1 \* 5/2015 Jodaikin ..... A61C 19/063 433/80

\* cited by examiner

*Primary Examiner* — Wan Laymon

(74) *Attorney, Agent, or Firm* — Vorys, Sater, Seymour and Pease LLP

(57) **CLAIM**

The ornamental design for an oral device, as shown and described.

**DESCRIPTION**

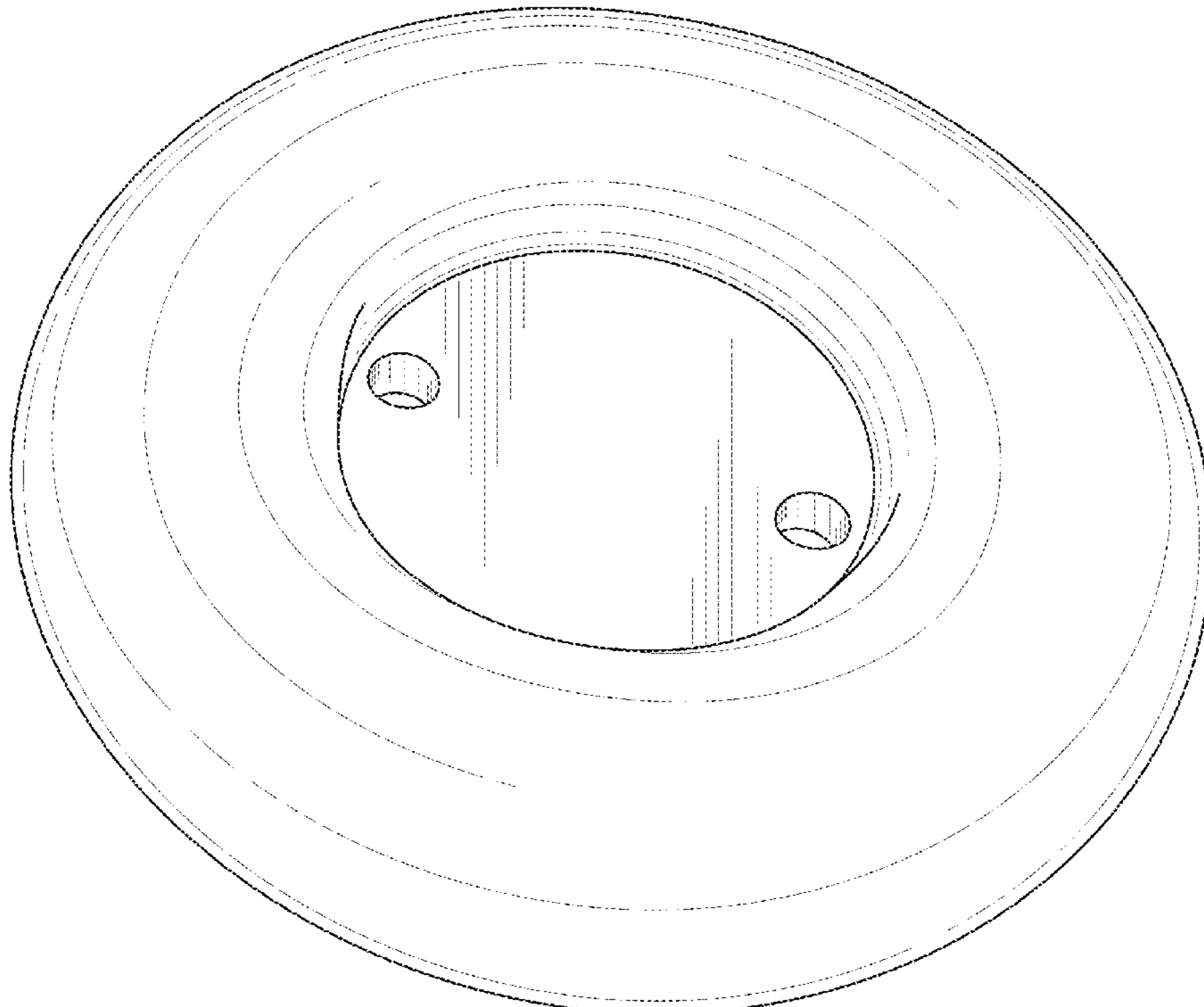
FIG. 1 is a front perspective view of an oral device; FIG. 2 is a side elevational view thereof, all sides being a mirror image; FIG. 3 is a top plan view thereof, the bottom plan view being a mirror image; and, FIG. 4 is a cross-sectional view thereof, taken along line 4-4 of FIG. 3.

**1 Claim, 4 Drawing Sheets**

(56) **References Cited**

U.S. PATENT DOCUMENTS

3,530,583 A \* 9/1970 Anderson ..... A61C 7/303 433/11  
6,712,608 B2 \* 3/2004 Bills ..... A61C 5/125 433/39



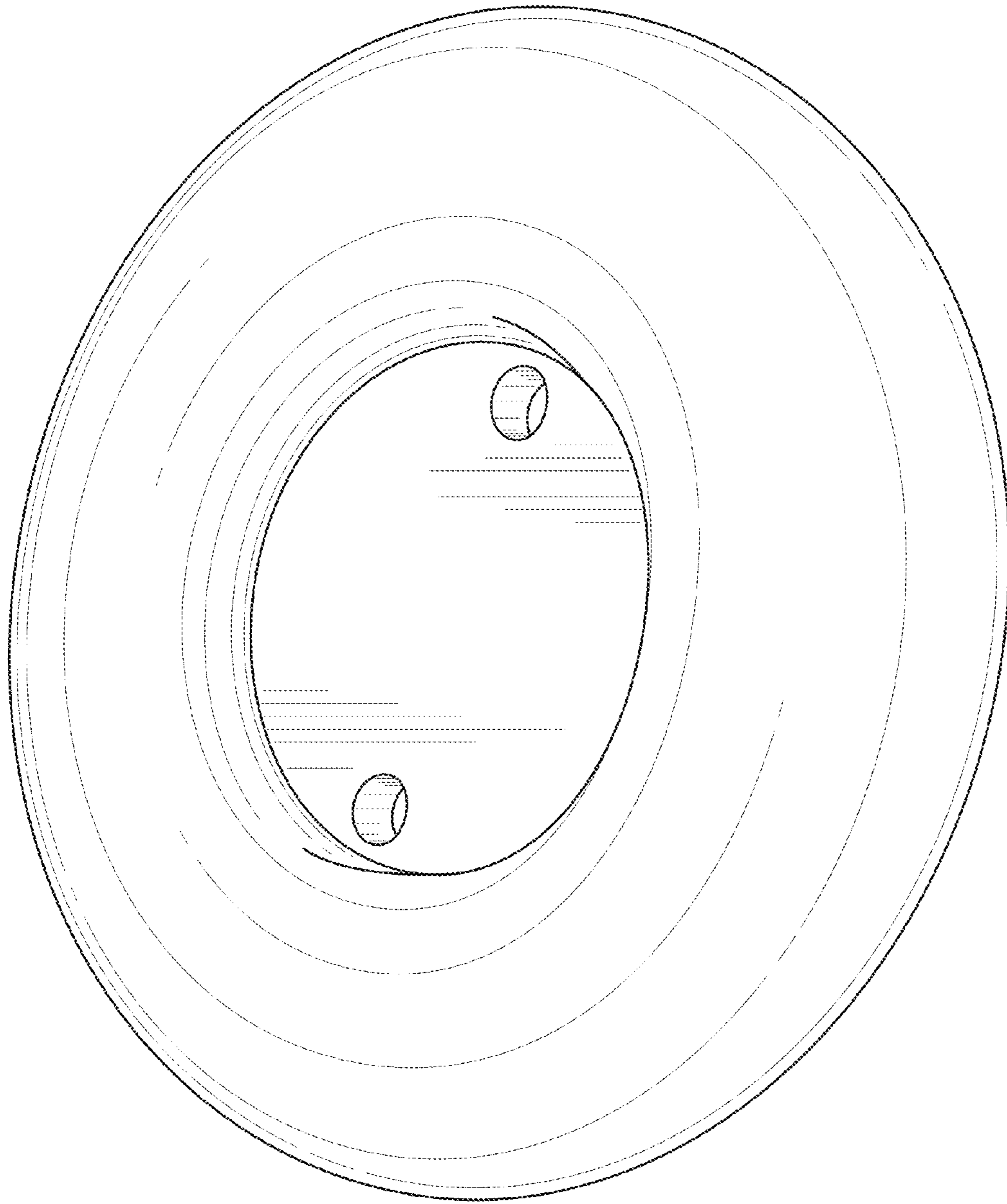
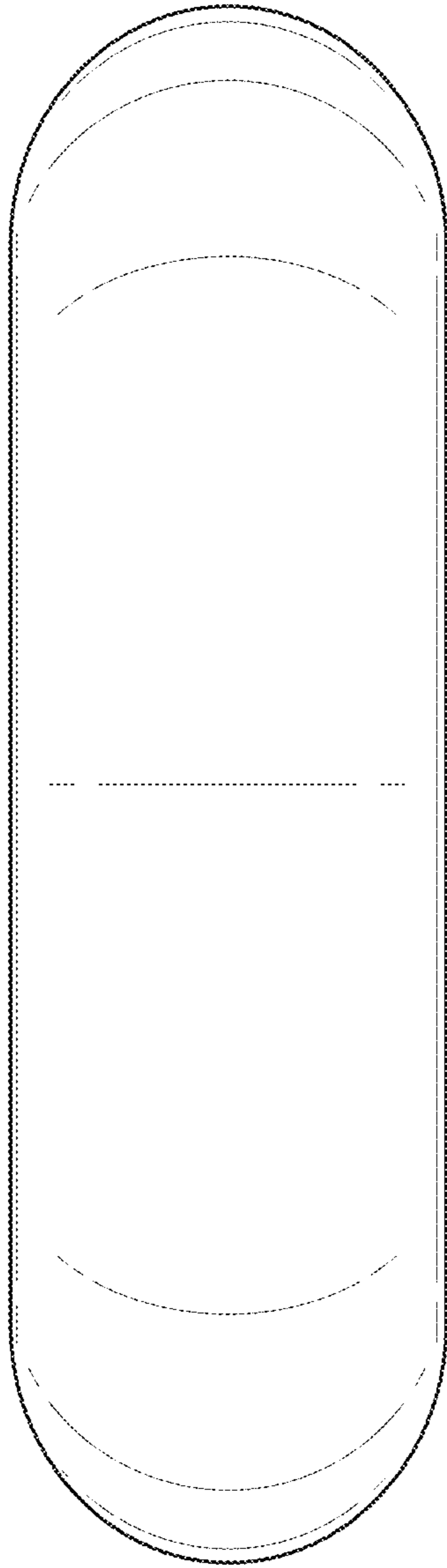


FIG. 1



**FIG. 2**

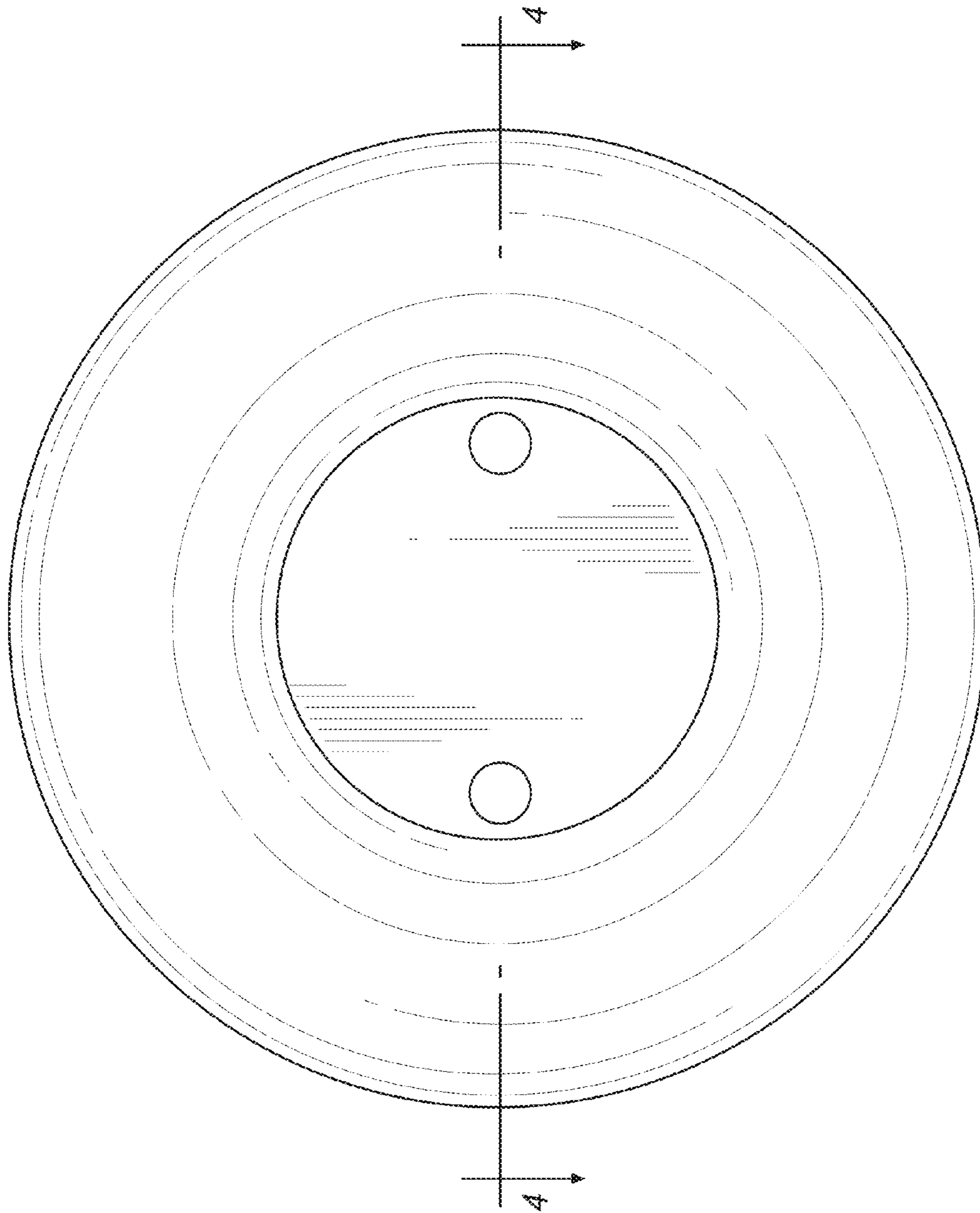
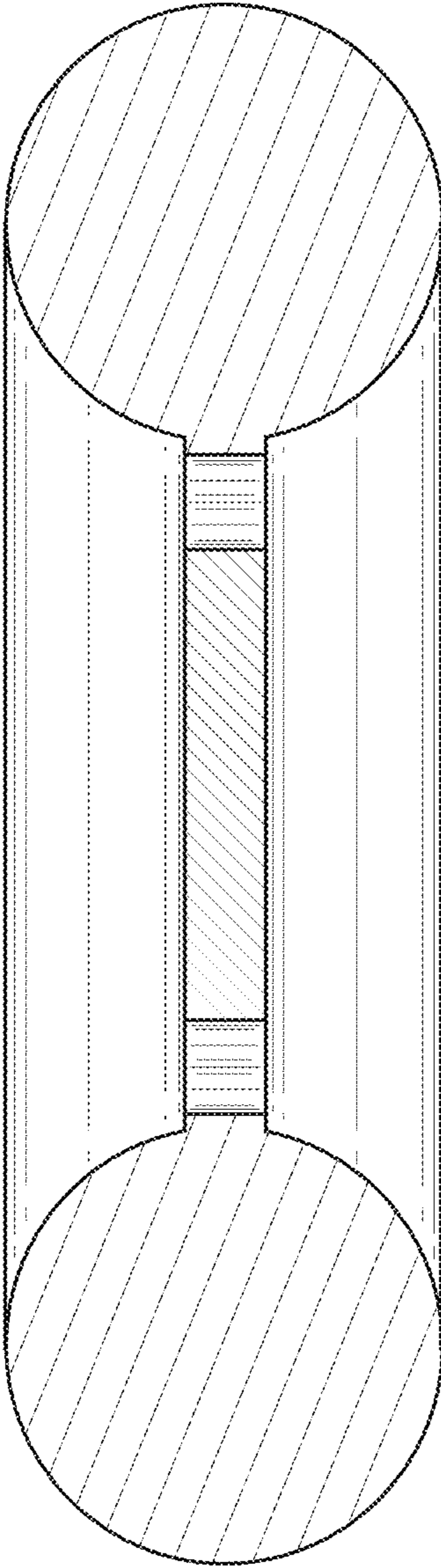


FIG. 3



**FIG. 4**