



US00D759816S

(12) **United States Design Patent**  
**Ingram et al.**

(10) **Patent No.:** **US D759,816 S**  
(45) **Date of Patent:** **\*\* Jun. 21, 2016**

(54) **FEMALE ENTERAL COUPLING**

(71) Applicant: **NEOMED, INC.**, Woodstock, GA (US)

(72) Inventors: **Aaron N. Ingram**, Canton, GA (US);  
**Benjamin Martin Davis**, Woodstock,  
GA (US); **Mark M. Costello**, Co. Mayo  
(IE); **Tony Doherty**, Co. Mayo (IE);  
**John Burke**, County Roscommon (IE)

(73) Assignee: **NEOMED, INC.**, Woodstock, GA (US)

(\*\*) Term: **14 Years**

(21) Appl. No.: **29/501,713**

(22) Filed: **Sep. 8, 2014**

(51) **LOC (10) Cl.** ..... **24-02**

(52) **U.S. Cl.**  
USPC ..... **D24/137**

(58) **Field of Classification Search**  
USPC ..... D24/137, 108, 112, 129; 604/256, 187,  
604/192, 199, 236-238, 324, 533  
CPC ..... A61M 39/10; A61M 39/20; A61M  
2005/3123; A61M 2005/3117; A61M  
2039/0036; A61M 2039/205; A61J 15/0026  
See application file for complete search history.

(56) **References Cited**

**U.S. PATENT DOCUMENTS**

D483,869 S \* 12/2003 Tran ..... D24/129  
D517,209 S \* 3/2006 Burton ..... D24/129  
7,581,559 B2 \* 9/2009 Bausmith, III ..... A61M 39/223  
137/512  
D625,004 S \* 10/2010 McGrady ..... D24/129  
7,947,018 B2 \* 5/2011 McKinnon ..... A61M 39/22  
604/167.01  
D679,009 S \* 3/2013 Amborn ..... D24/129  
D723,681 S \* 3/2015 Ingram ..... D24/130

D737,436 S \* 8/2015 Lev ..... D24/129  
2013/0030379 A1 \* 1/2013 Ingram ..... A61J 9/00  
604/218  
2015/0164744 A1 \* 6/2015 Ingram ..... A61M 5/162  
604/199

**OTHER PUBLICATIONS**

ISO 80369-3, Small Bore Enteral Connector Standards; 3 pgs; Jul.  
21, 2014.

\* cited by examiner

*Primary Examiner* — Wan Laymon

*Assistant Examiner* — Mark Booker

(74) *Attorney, Agent, or Firm* — Gardner Groff Greenwald  
& Villanueva, PC

(57) **CLAIM**

The ornamental design for a female enteral coupling, substan-  
tially as shown and described.

**DESCRIPTION**

FIG. 1 is a first perspective view of a female enteral coupling  
according to the design.

FIG. 2 is a second perspective view of the female enteral  
coupling of FIG. 1.

FIG. 3 is a first side view of the female enteral coupling of  
FIG. 1.

FIG. 4 is a second side view of the female enteral coupling of  
FIG. 1.

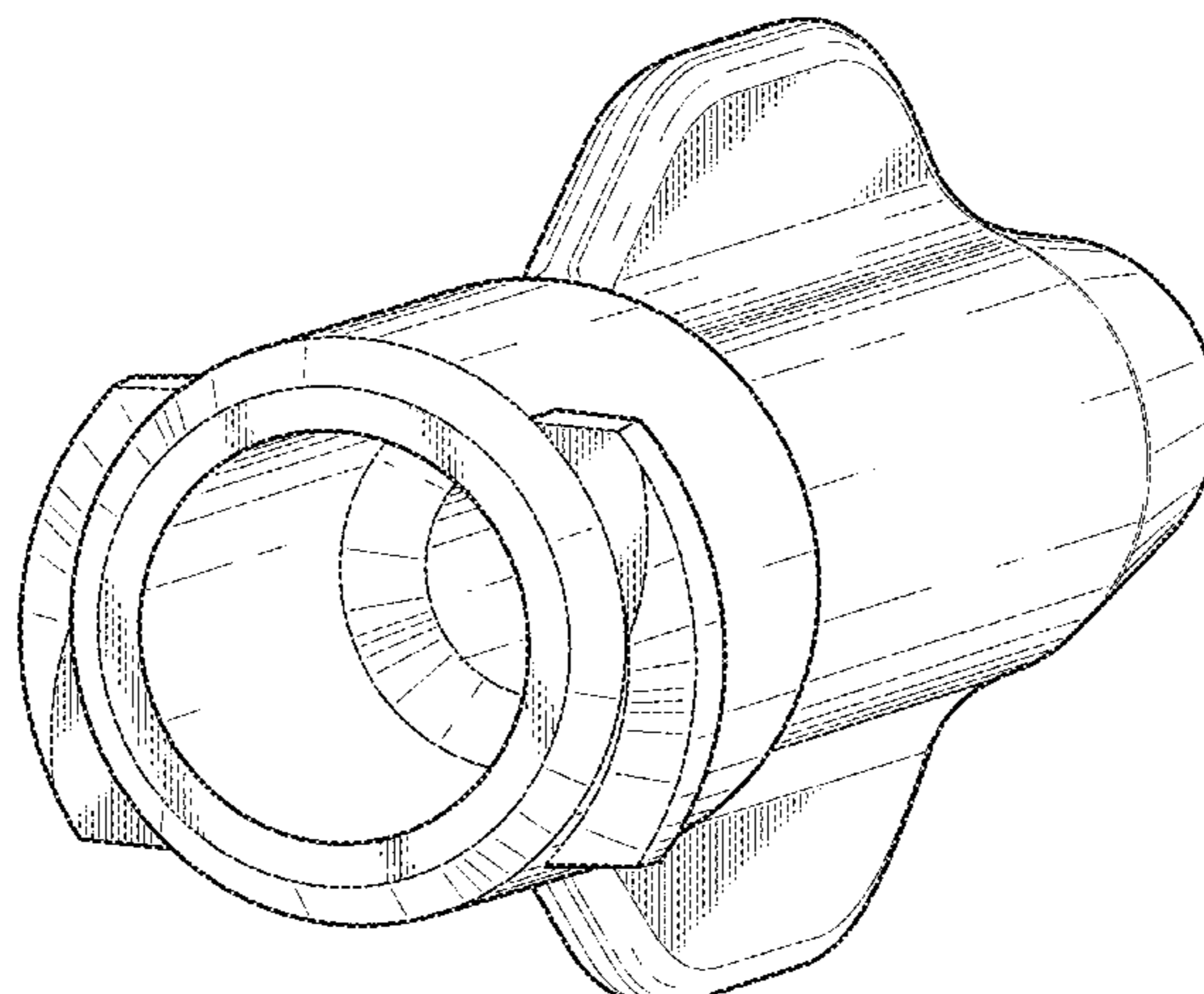
FIG. 5 is a first end view of the female enteral coupling of  
FIG. 1.

FIG. 6 is a second end view of the female enteral coupling of  
FIG. 1.

FIG. 7 is a top view of the female enteral coupling of FIG. 1;  
and,

FIG. 8 is a bottom view of the female enteral coupling of FIG.  
1.

**1 Claim, 5 Drawing Sheets**



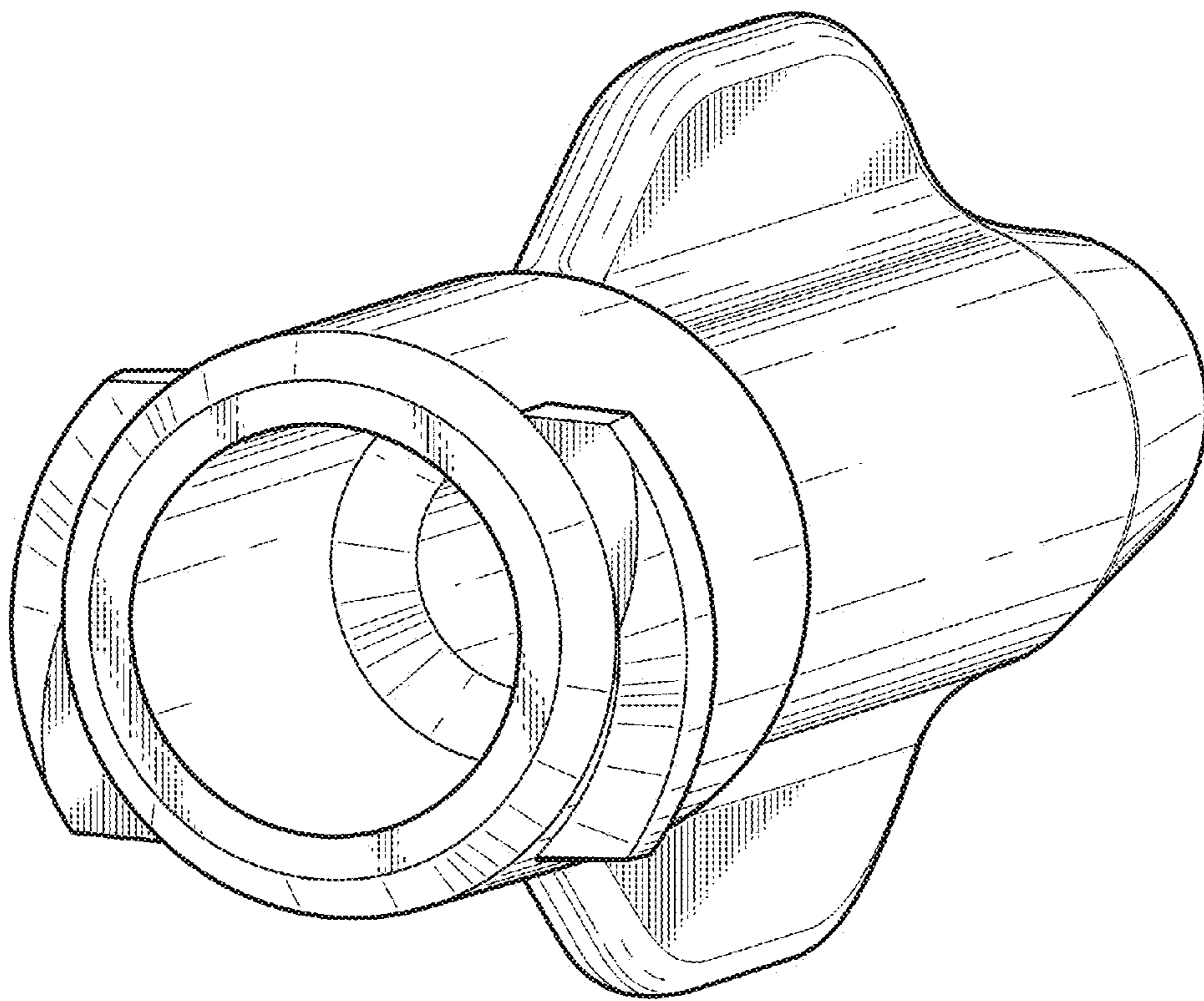


FIG. 1

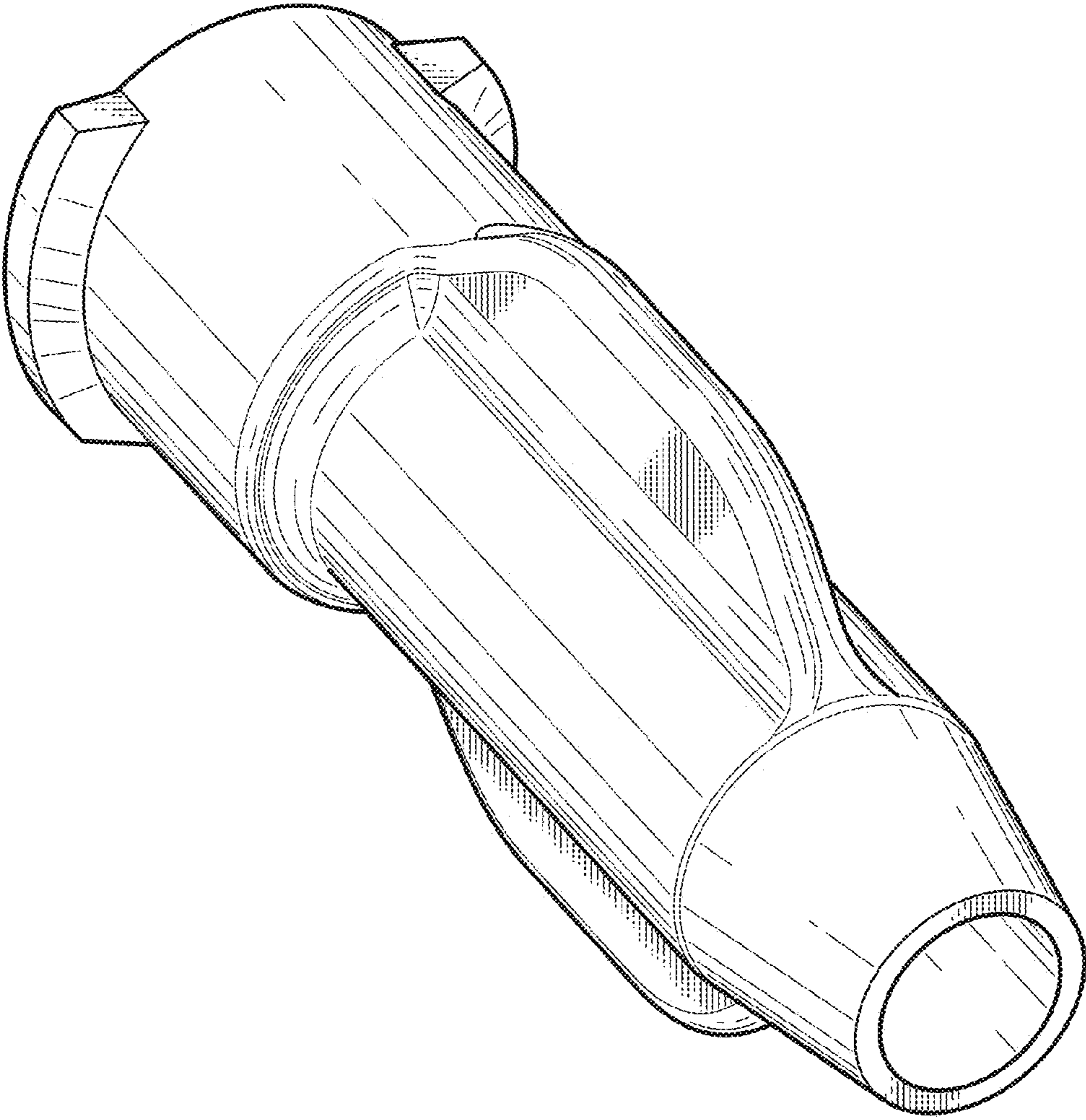


FIG. 2

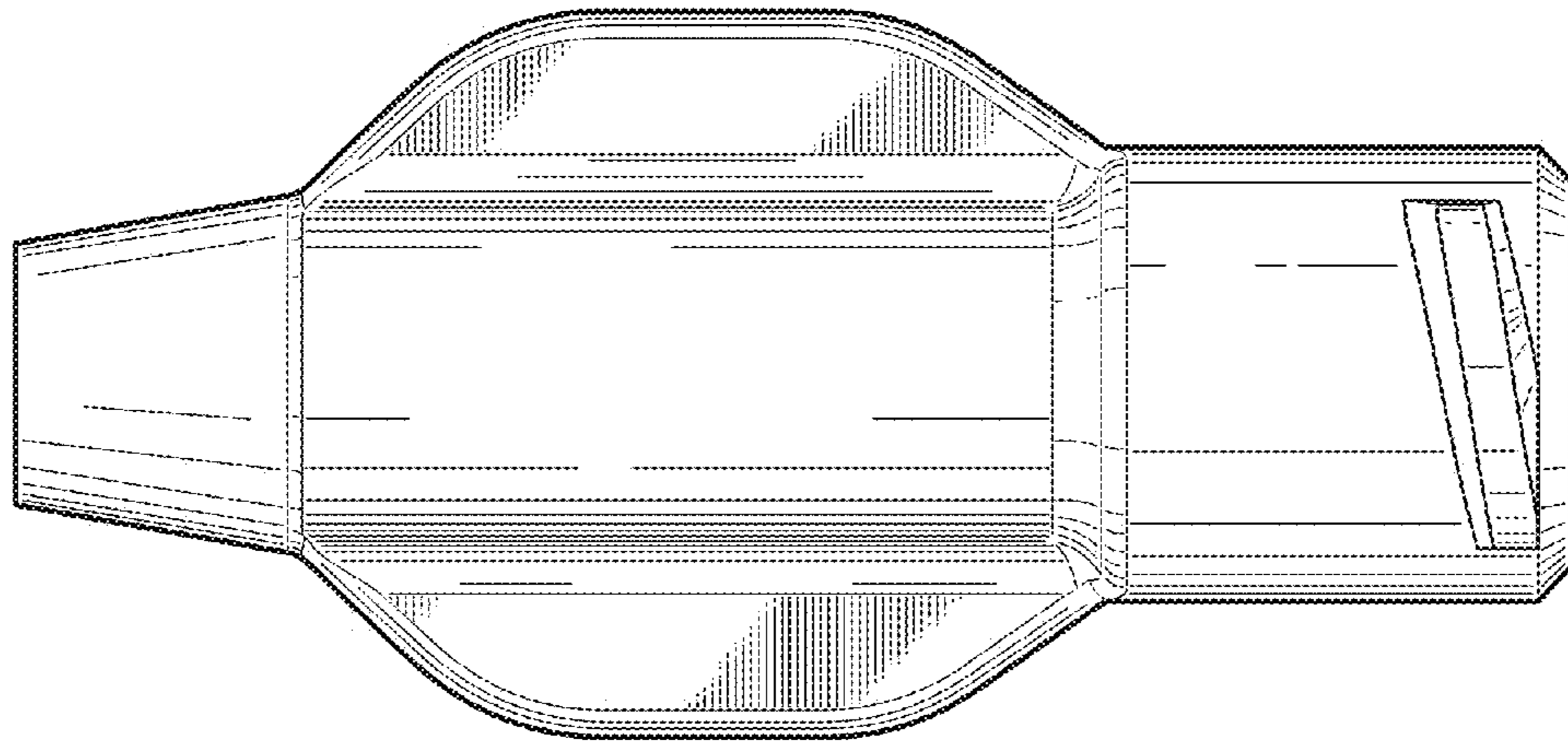


FIG. 3

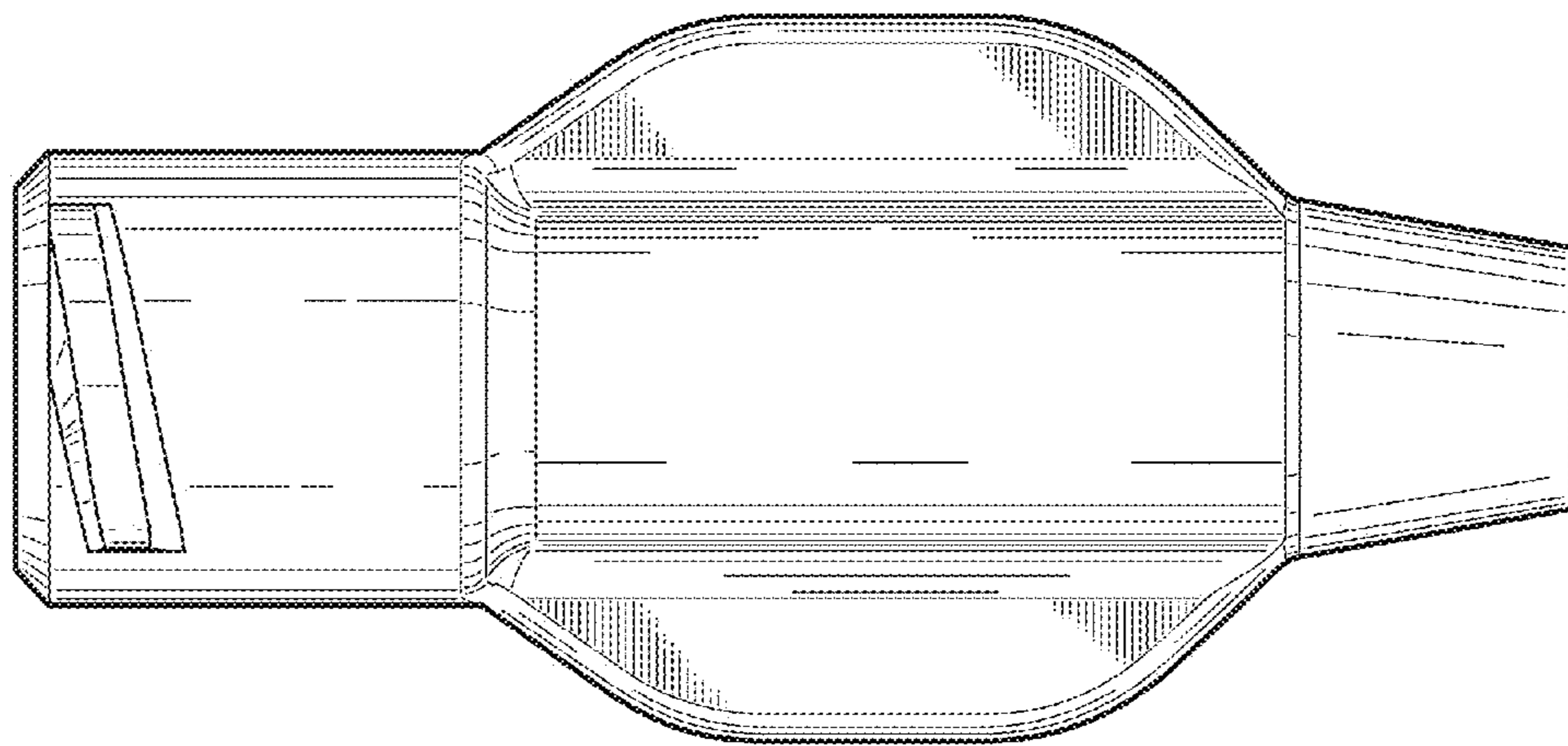
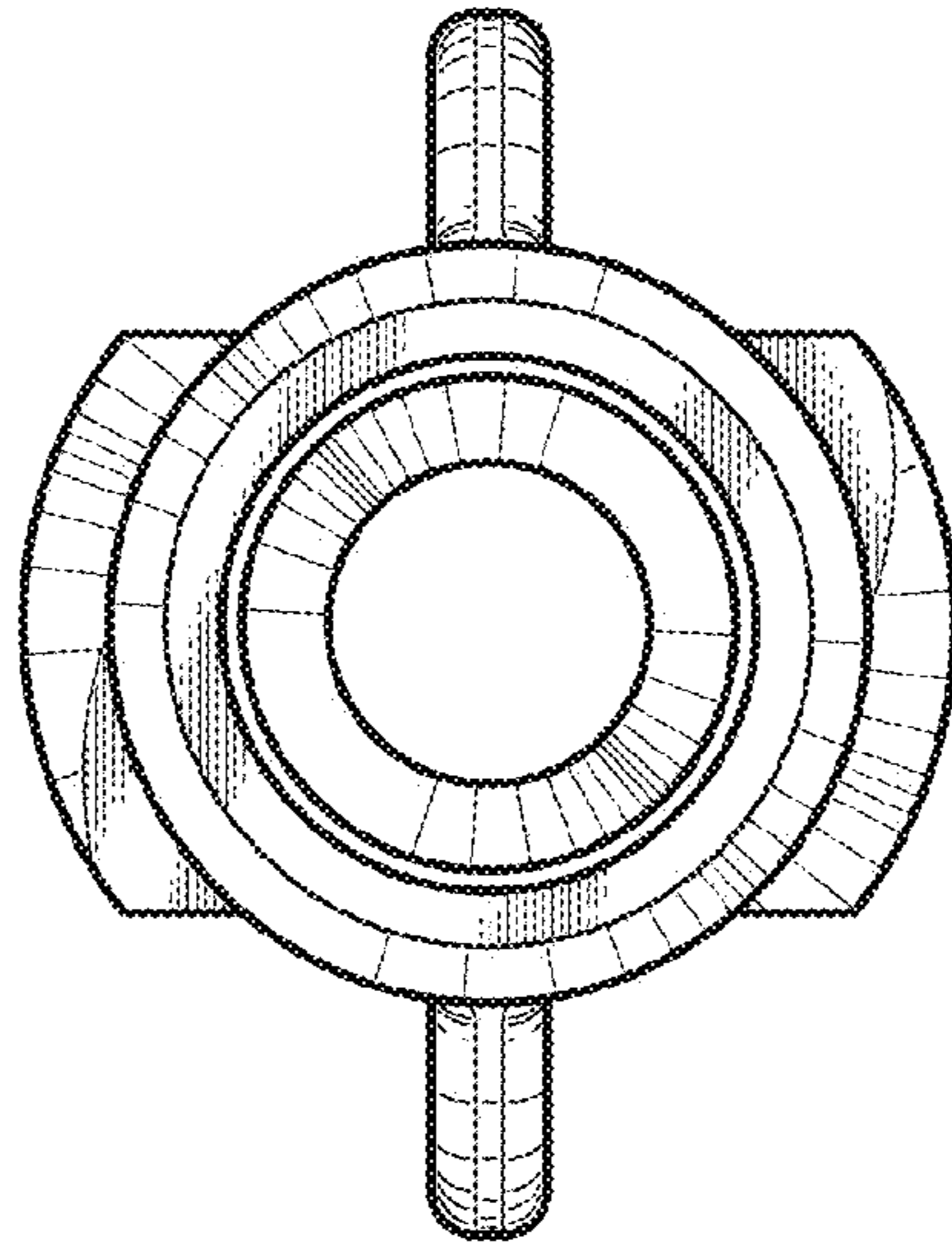
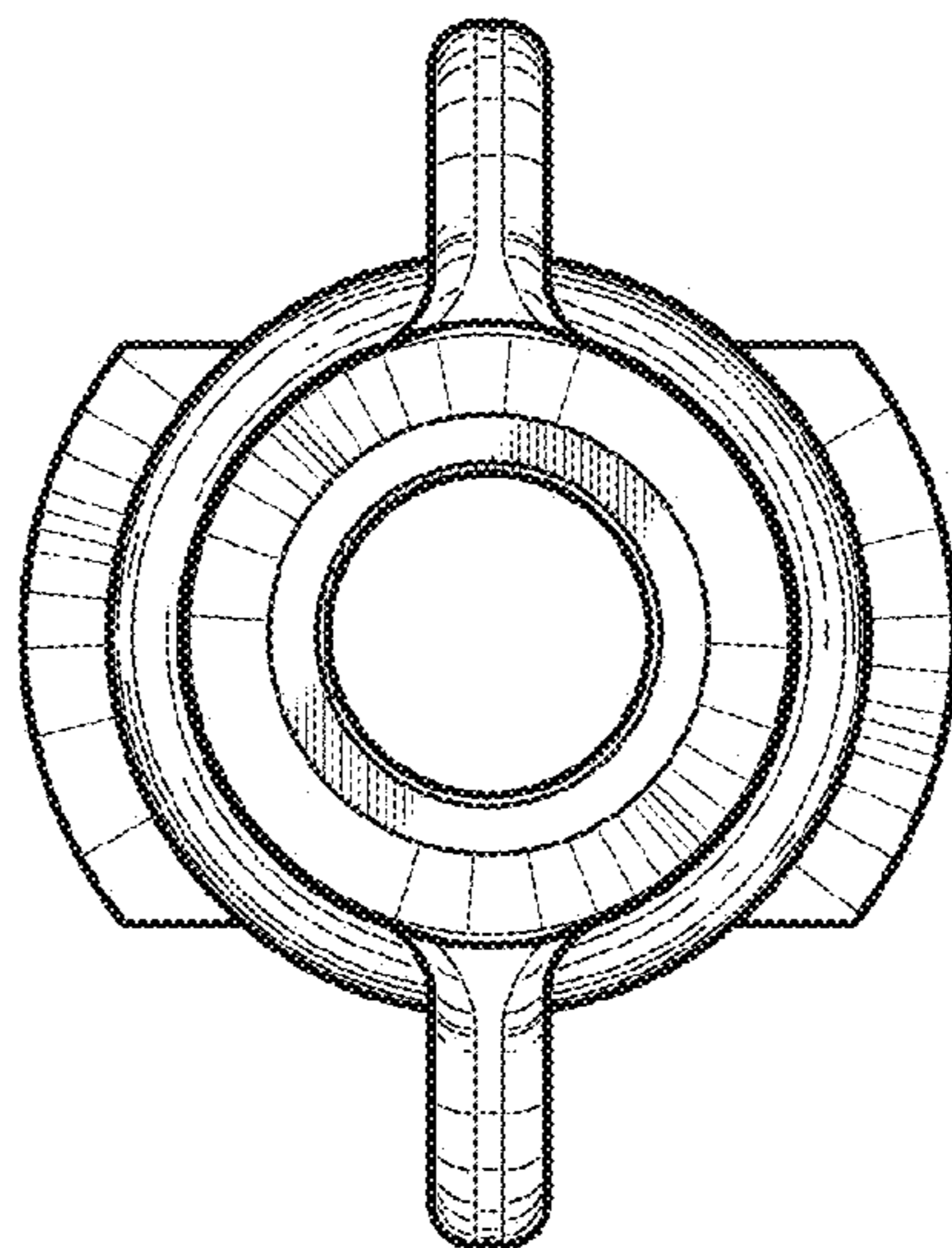


FIG. 4



**FIG. 5**



**FIG. 6**

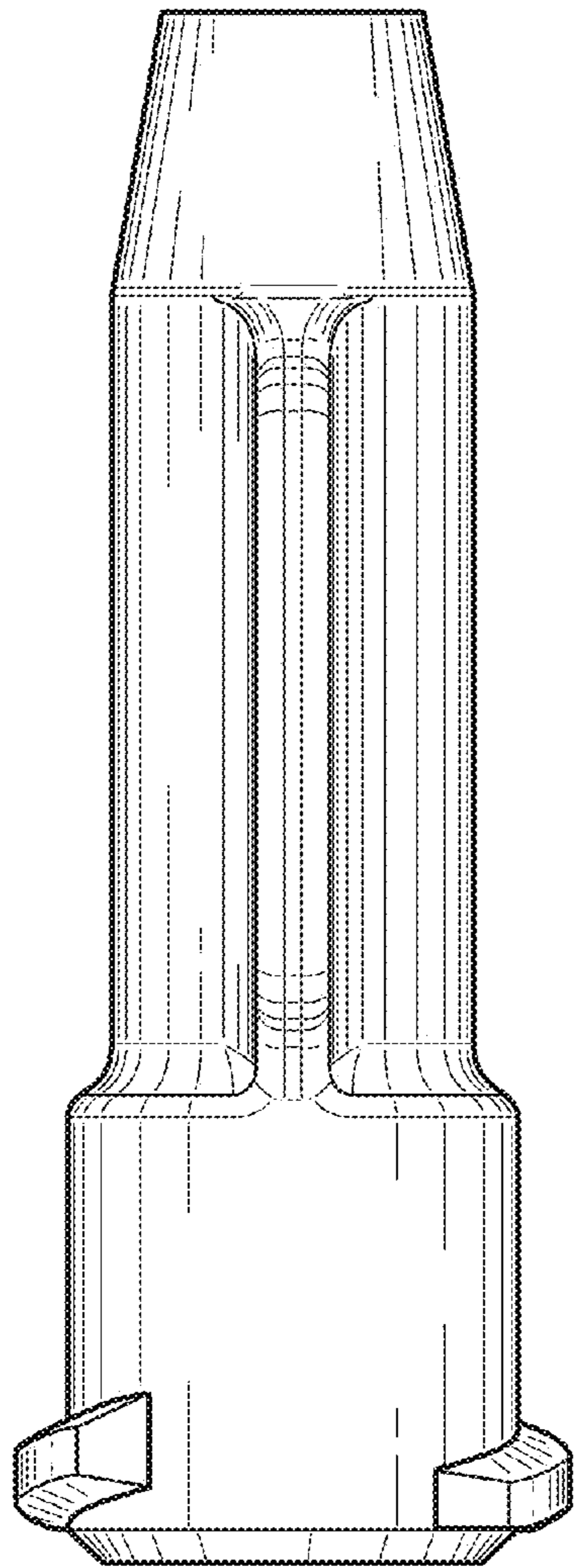


FIG. 7

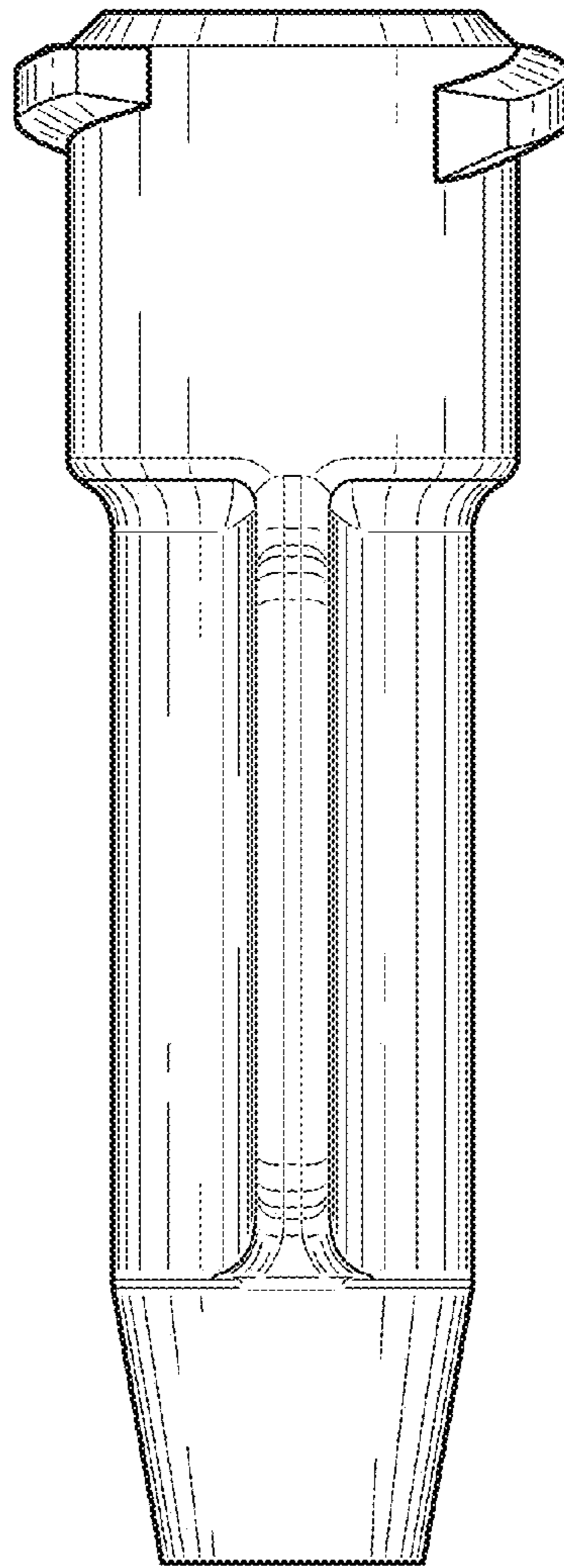


FIG. 8