



US00D759812S

(12) **United States Design Patent**  
**Chauvette**

(10) **Patent No.:** **US D759,812 S**  
(45) **Date of Patent:** **\*\* Jun. 21, 2016**

(54) **KEYWAY PORTION**

(71) Applicant: **Conmed Corporation**, Utica, NY (US)

(72) Inventor: **Guillaume Chauvette**, Victoriaville (CA)

(73) Assignee: **Conmed Corporation**, Utica, NY (US)

(\*\*) Term: **15 Years**

(21) Appl. No.: **29/543,377**

(22) Filed: **Oct. 23, 2015**

**Related U.S. Application Data**

(62) Division of application No. 29/439,731, filed on Dec. 14, 2012, now Pat. No. Des. 749,211.

(51) **LOC (10) Cl.** ..... **24-01**

(52) **U.S. Cl.**  
USPC ..... **D24/129**

(58) **Field of Classification Search**  
USPC ..... D24/127-131, 112-114, 133, 186;  
606/181, 185; 604/264, 272, 115, 232,  
604/187, 158, 164.08, 192, 263, 163, 181,  
604/184, 198, 227; 600/101, 139, 143;  
128/200.24, 207.14, 207.15  
CPC ..... A61B 2017/0256; A61B 17/7065;  
A61B 17/7068; A61B 17/66; A61B 17/7071  
See application file for complete search history.

(56) **References Cited**

**U.S. PATENT DOCUMENTS**

D247,574 S \* 3/1978 Orsing ..... 433/91  
D257,063 S \* 9/1980 Galindo ..... D24/127  
D298,355 S \* 11/1988 Young ..... D24/128  
D323,555 S \* 1/1992 Rasmusson ..... D24/133  
D339,864 S \* 9/1993 Stern ..... D24/129  
5,336,206 A \* 8/1994 Shichman ..... A61B 17/3403  
604/164.12  
5,389,084 A \* 2/1995 Horan ..... A61M 5/3202  
30/151  
5,792,116 A \* 8/1998 Berg ..... A61M 25/0012  
600/585

D431,864 S \* 10/2000 Jansen ..... D24/129  
D435,101 S \* 12/2000 Graneto, III ..... D24/108  
D435,652 S \* 12/2000 Nazarifar ..... D23/262  
6,183,435 B1 \* 2/2001 Bumbalough .... A61M 25/0147  
604/95.01  
8,328,717 B2 \* 12/2012 Battles ..... A61B 17/3462  
600/206  
D675,729 S \* 2/2013 Wang ..... D24/108  
D678,770 S \* 3/2013 Kawamura ..... D9/452  
8,708,975 B2 \* 4/2014 Heald ..... A61M 5/20  
604/187  
D717,948 S \* 11/2014 Strong ..... D24/130  
2006/0235364 A1 \* 10/2006 O'Hare ..... A61J 1/2096  
604/411  
2006/0287664 A1 \* 12/2006 Grage, Jr. .... A61B 5/1411  
606/181  
2008/0195051 A1 \* 8/2008 Graf ..... A61M 5/315  
604/187  
2009/0234227 A1 \* 9/2009 Punga ..... A61B 6/481  
600/435  
2010/0234811 A1 \* 9/2010 Schubert ..... A61M 5/326  
604/198  
2013/0247904 A1 \* 9/2013 Porat ..... A61M 39/08  
128/200.24  
2013/0281942 A1 \* 10/2013 Teucher ..... A61M 5/347  
604/241

\* cited by examiner

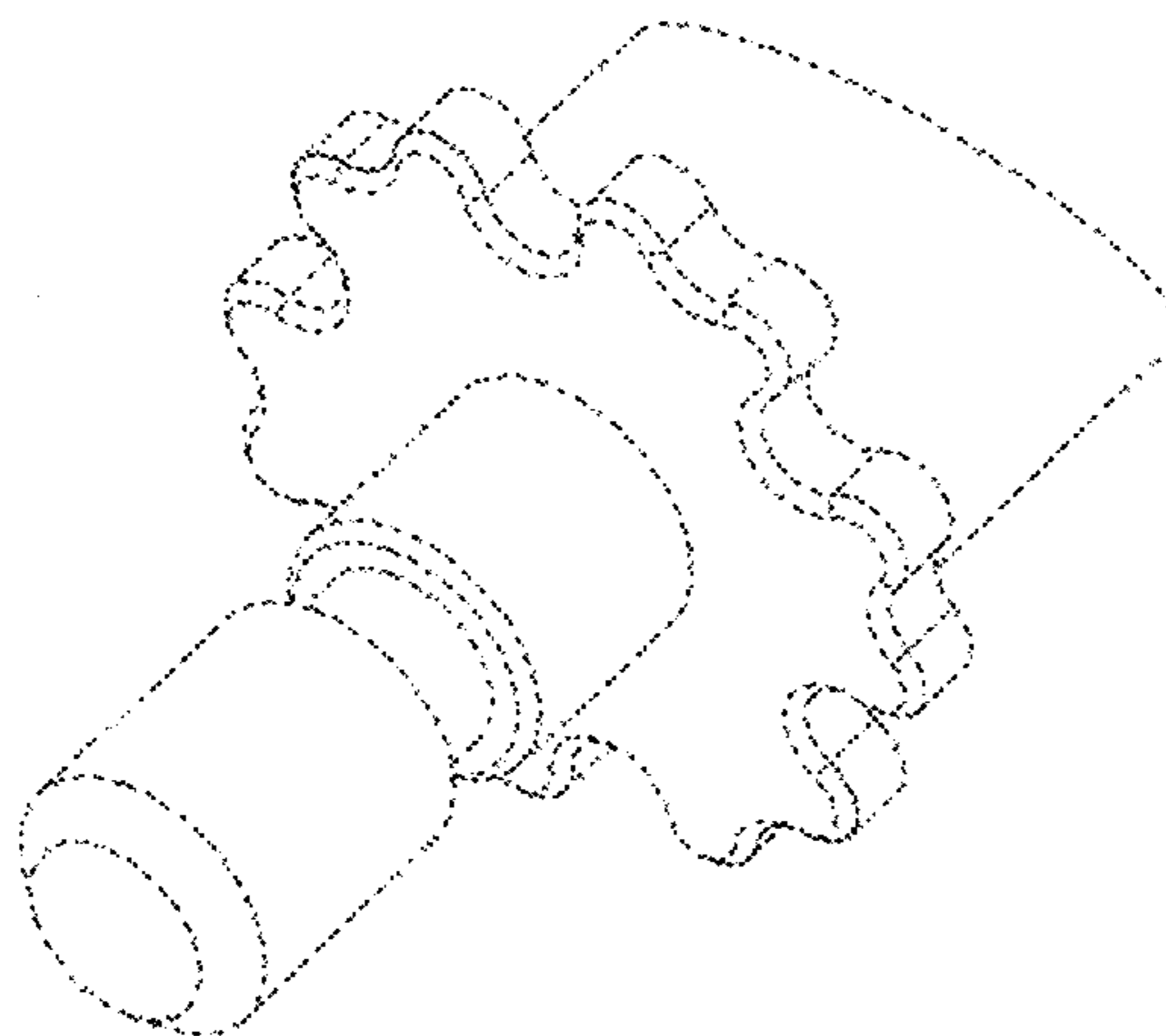
*Primary Examiner* — David Muller  
*Assistant Examiner* — Nathan Johnston  
(74) *Attorney, Agent, or Firm* — Bond Schoeneck & King, PLLC; David Nocilly

(57) **CLAIM**  
The ornamental design for a keyway portion, as shown and described.

**DESCRIPTION**

FIG. 1 is a perspective view taken from a bottom, front, right side of a keyway portion;  
FIG. 2 is a front elevation view thereof;  
FIG. 3 is a perspective view taken from a top, front, right side thereof shown on a connector where the keyway portion is part of a female keyway of the connector; and,  
FIG. 4 is a perspective view taken from a top, rear, left side thereof shown on a connector where the keyway portion is part of a male keyway of the connector.  
The dashed lines in the figures illustrate the portions of the design that form no part of the claimed design.

**1 Claim, 4 Drawing Sheets**



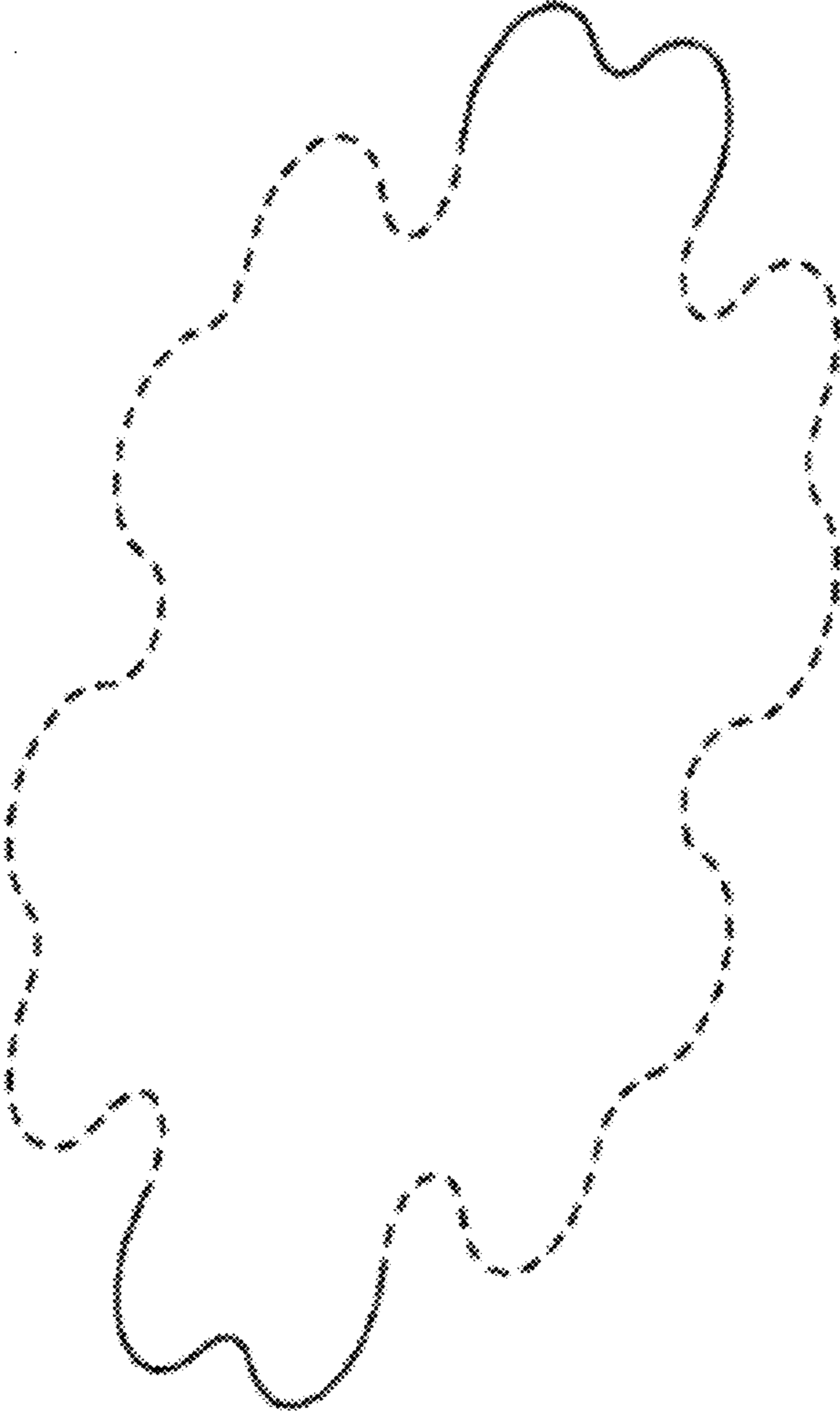


FIG. 1

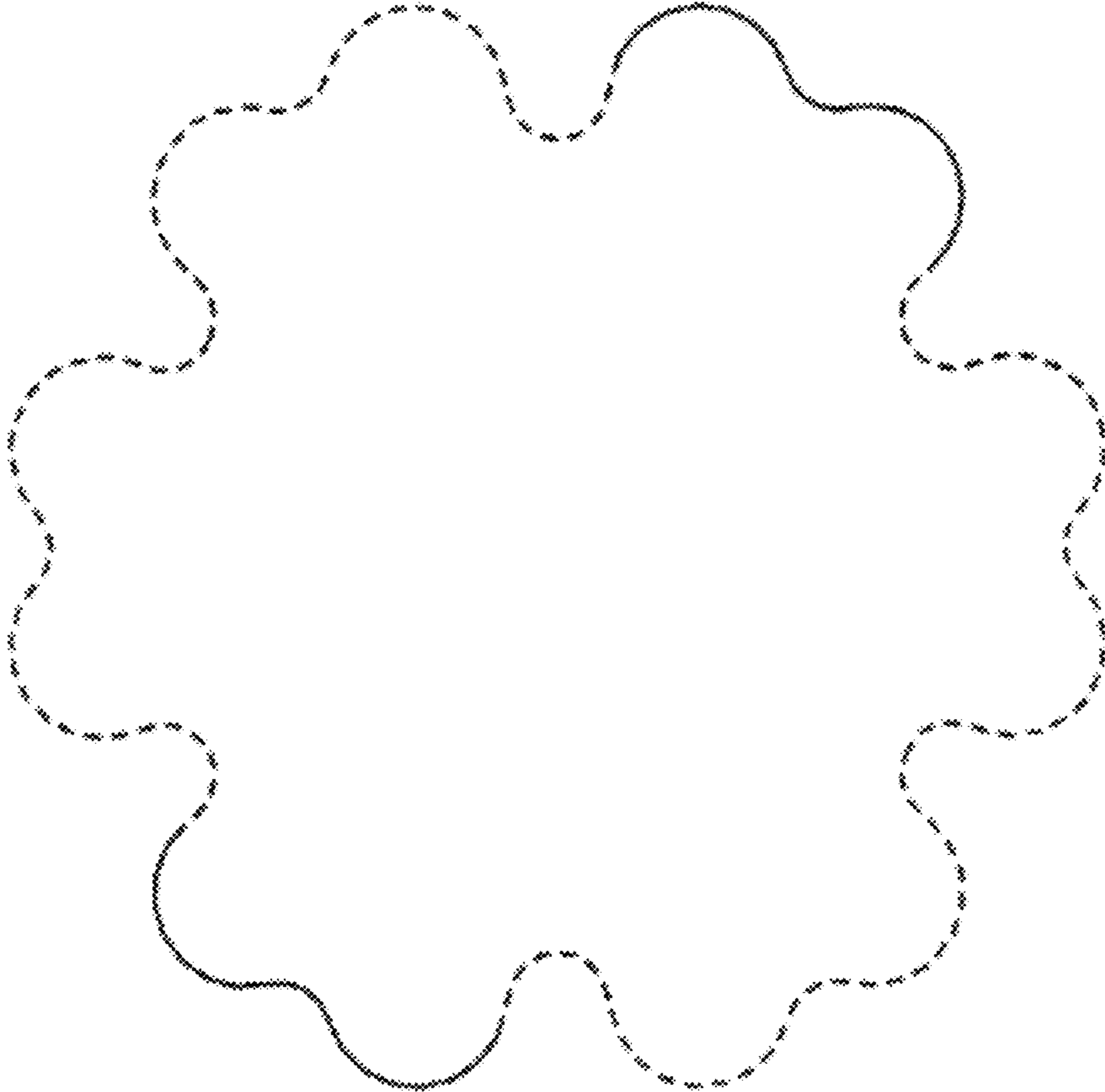


FIG. 2

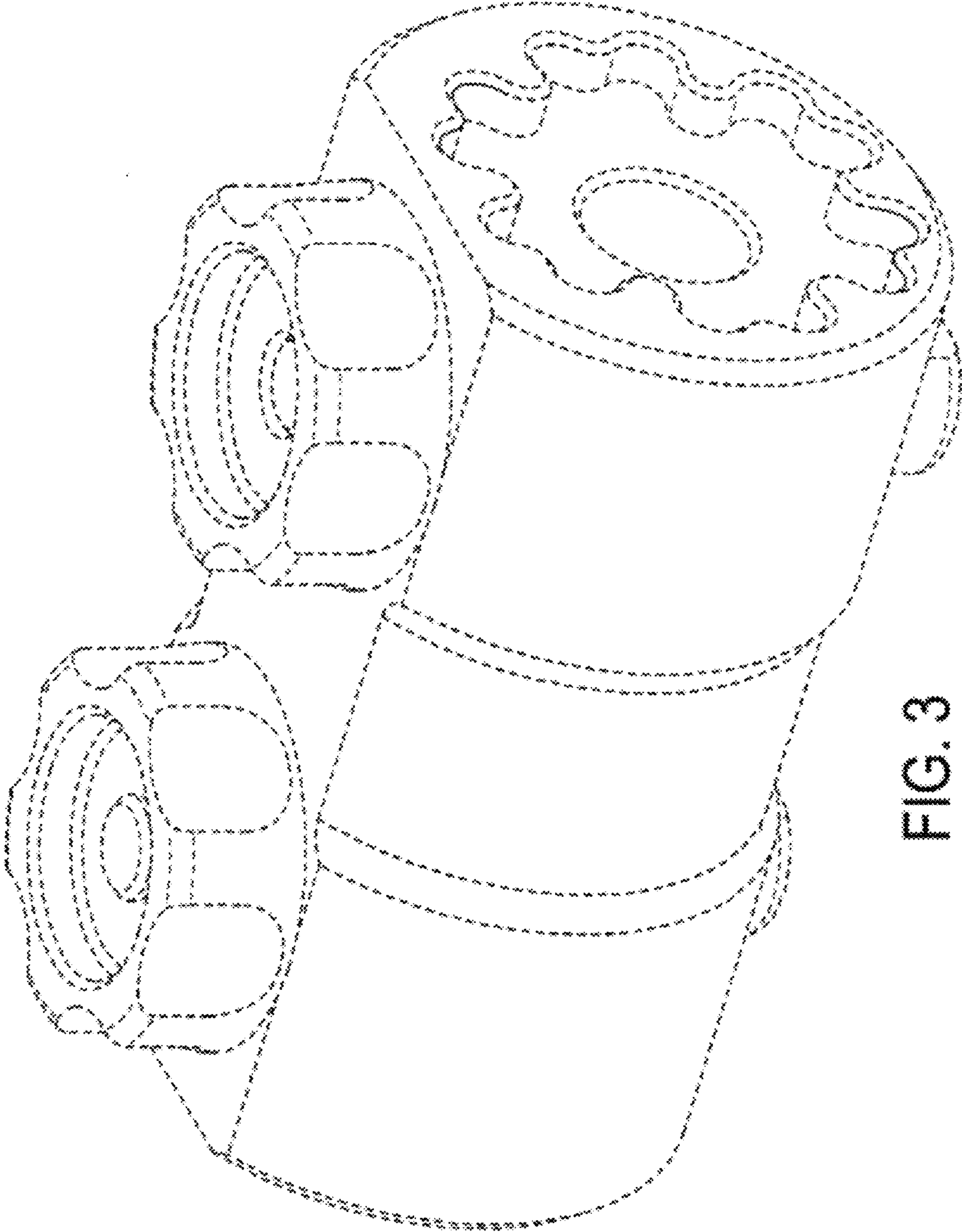


FIG. 3

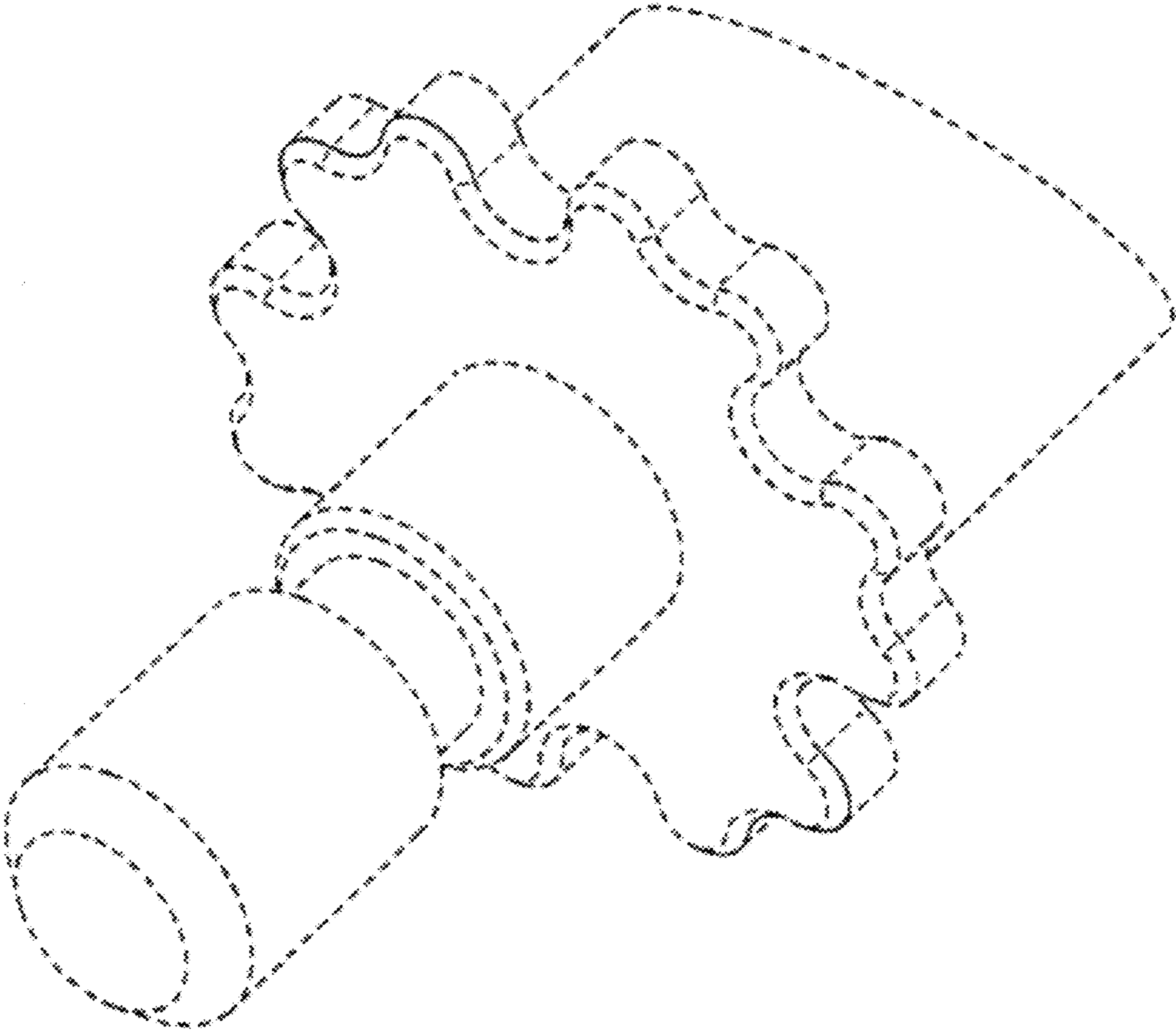


FIG. 4