



US00D759811S

(12) **United States Design Patent**
Chauvette

(10) **Patent No.:** **US D759,811 S**
(45) **Date of Patent:** **** Jun. 21, 2016**

- (54) **KEYWAY PORTION**
- (71) Applicant: **Conmed Corporation**, Utica, NY (US)
- (72) Inventor: **Guillaume Chauvette**, Victoriaville (CA)
- (73) Assignee: **Conmed Corporation**, Utica, NY (US)
- (**) Term: **15 Years**
- (21) Appl. No.: **29/543,340**
- (22) Filed: **Oct. 23, 2015**

Related U.S. Application Data

- (62) Division of application No. 29/439,731, filed on Dec. 14, 2012, now Pat. No. Des. 749,211.
- (51) **LOC (10) Cl.** **24-01**
- (52) **U.S. Cl.**
USPC **D24/129**
- (58) **Field of Classification Search**
USPC D24/127-131, 112-114, 133, 186;
606/181, 185; 604/264, 272, 115, 232,
604/187, 158, 164.08, 192, 263, 163, 181,
604/184, 198, 227; 600/101, 139, 143;
128/200.24, 207.14, 207.15
CPC A61B 2017/0256; A61B 17/7065;
A61B 17/7068; A61B 17/66; A61B 17/7071
See application file for complete search history.

(56) **References Cited**

U.S. PATENT DOCUMENTS

- D247,574 S * 3/1978 Orsing 433/91
- D257,063 S * 9/1980 Galindo D24/127
- D298,355 S * 11/1988 Young D24/128
- D323,555 S * 1/1992 Rasmusson D24/133
- D339,864 S * 9/1993 Stern D24/129
- 5,336,206 A * 8/1994 Shichman A61B 17/3403
604/164.12
- 5,389,084 A * 2/1995 Horan A61M 5/3202
30/151
- 5,792,116 A * 8/1998 Berg A61M 25/0012
600/585

- D431,864 S * 10/2000 Jansen D24/129
- D435,101 S * 12/2000 Graneto, III D24/108
- D435,652 S * 12/2000 Nazarifar D23/262
- 6,183,435 B1 * 2/2001 Bumbalough A61M 25/0147
604/95.01
- 8,328,717 B2 * 12/2012 Battles A61B 17/3462
600/206
- D675,729 S * 2/2013 Wang D24/108
- D678,770 S * 3/2013 Kawamura D9/452
- 8,708,975 B2 * 4/2014 Heald A61M 5/20
604/187
- D717,948 S * 11/2014 Strong D24/130
- 2006/0235364 A1 * 10/2006 O'Hare A61J 1/2096
604/411
- 2006/0287664 A1 * 12/2006 Grage, Jr. A61B 5/1411
606/181
- 2008/0195051 A1 * 8/2008 Graf A61M 5/315
604/187
- 2009/0234227 A1 * 9/2009 Punga A61B 6/481
600/435
- 2010/0234811 A1 * 9/2010 Schubert A61B 5/326
604/198
- 2013/0247904 A1 * 9/2013 Porat A61M 39/08
128/200.24
- 2013/0281942 A1 * 10/2013 Teucher A61M 5/347
604/241

* cited by examiner

Primary Examiner — David Muller
Assistant Examiner — Nathan Johnston
(74) *Attorney, Agent, or Firm* — Bond Schoeneck & King, PLLC; David Nocilly

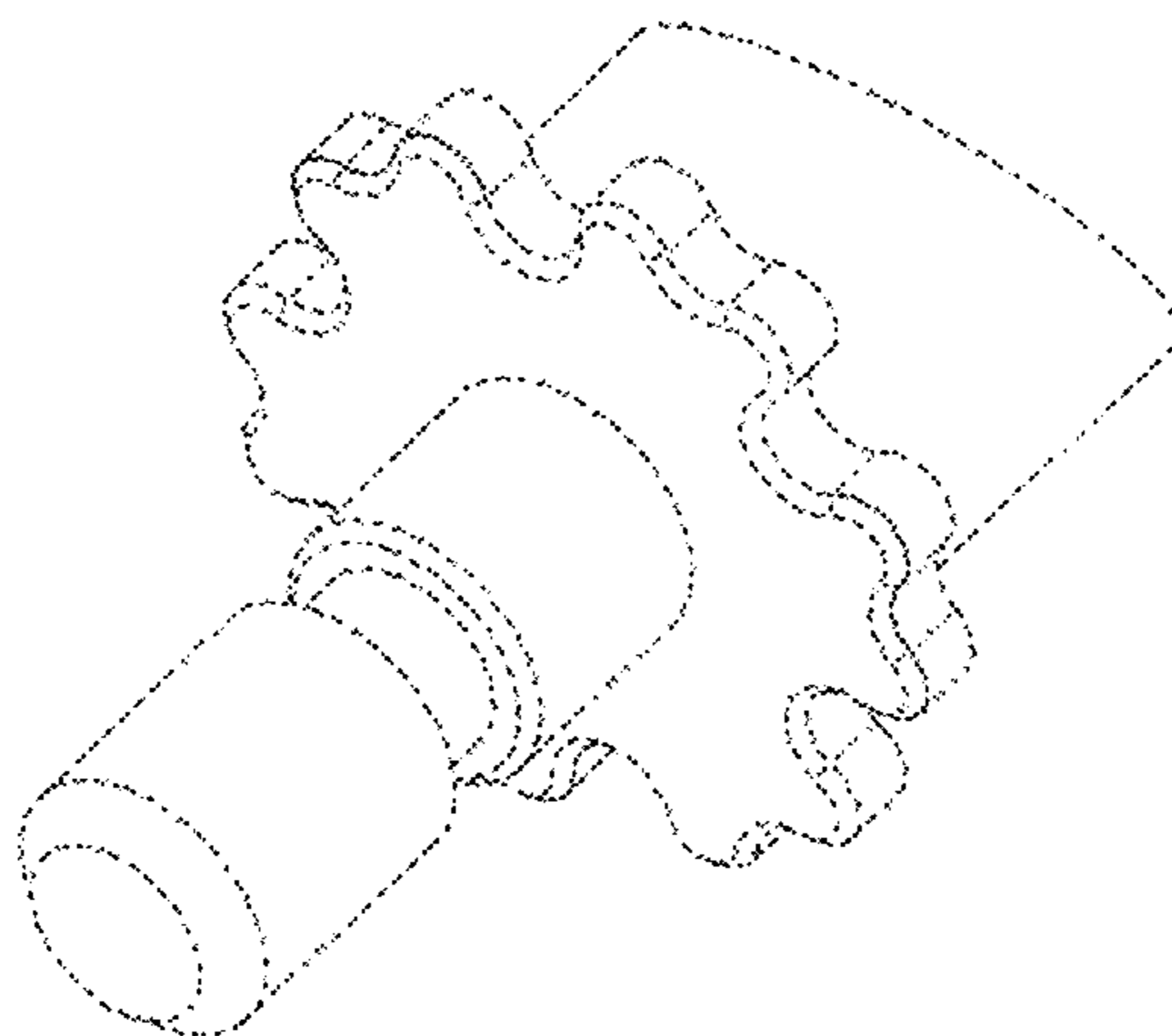
(57) **CLAIM**

The ornamental design for a keyway portion, as shown and described.

DESCRIPTION

FIG. 1 is a perspective view taken from a bottom, front, right side of a keyway portion;
FIG. 2 is a front elevation view thereof;
FIG. 3 is a perspective view taken from a top, front, right side thereof shown on a connector where the keyway portion is part of a female keyway of the connector; and,
FIG. 4 is a perspective view taken from a top, rear, left side thereof shown on a connector where the keyway portion is part of a male keyway of the connector.
The dashed lines in the figures illustrate the portions of the design that form no part of the claimed design.

1 Claim, 4 Drawing Sheets



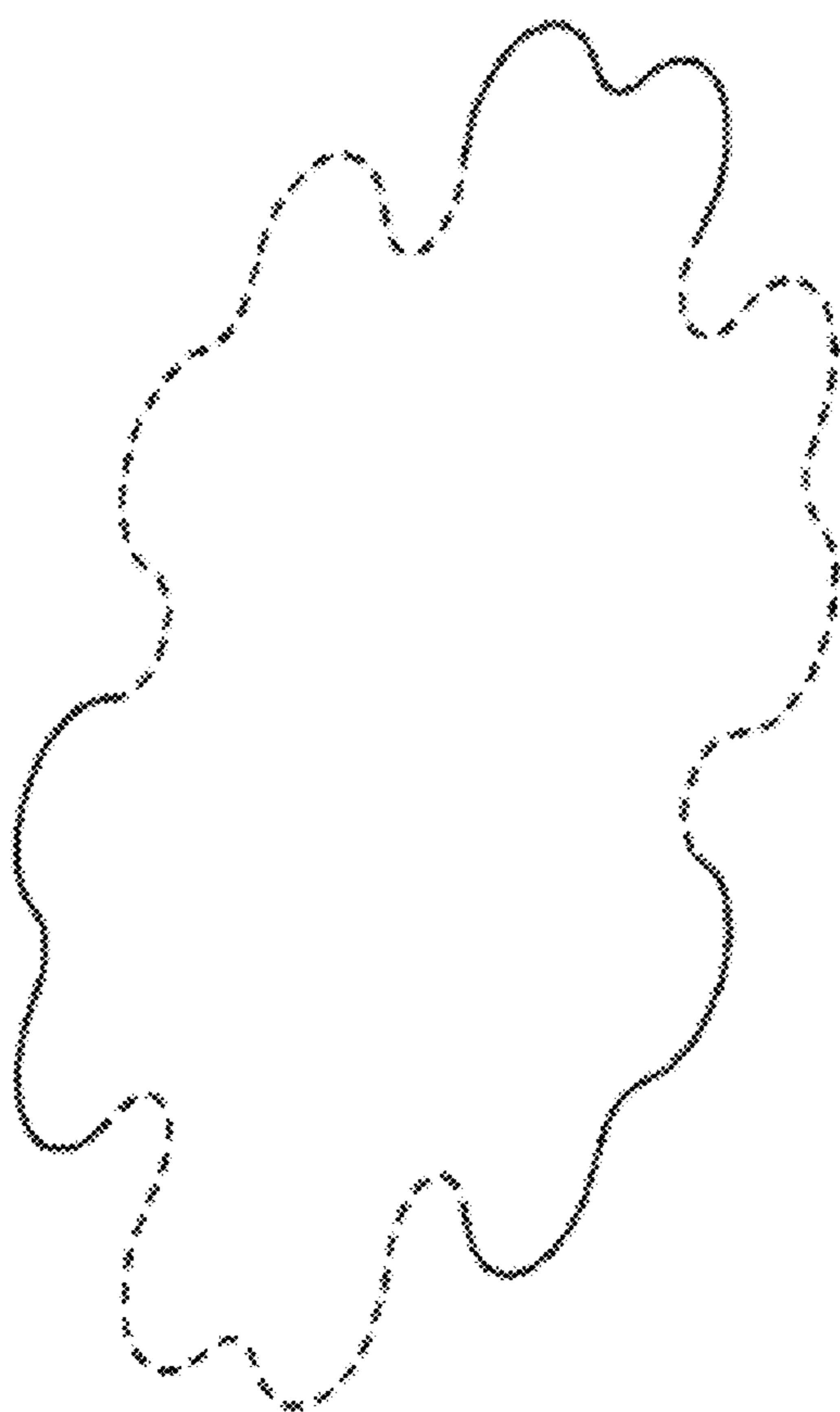


FIG. 1

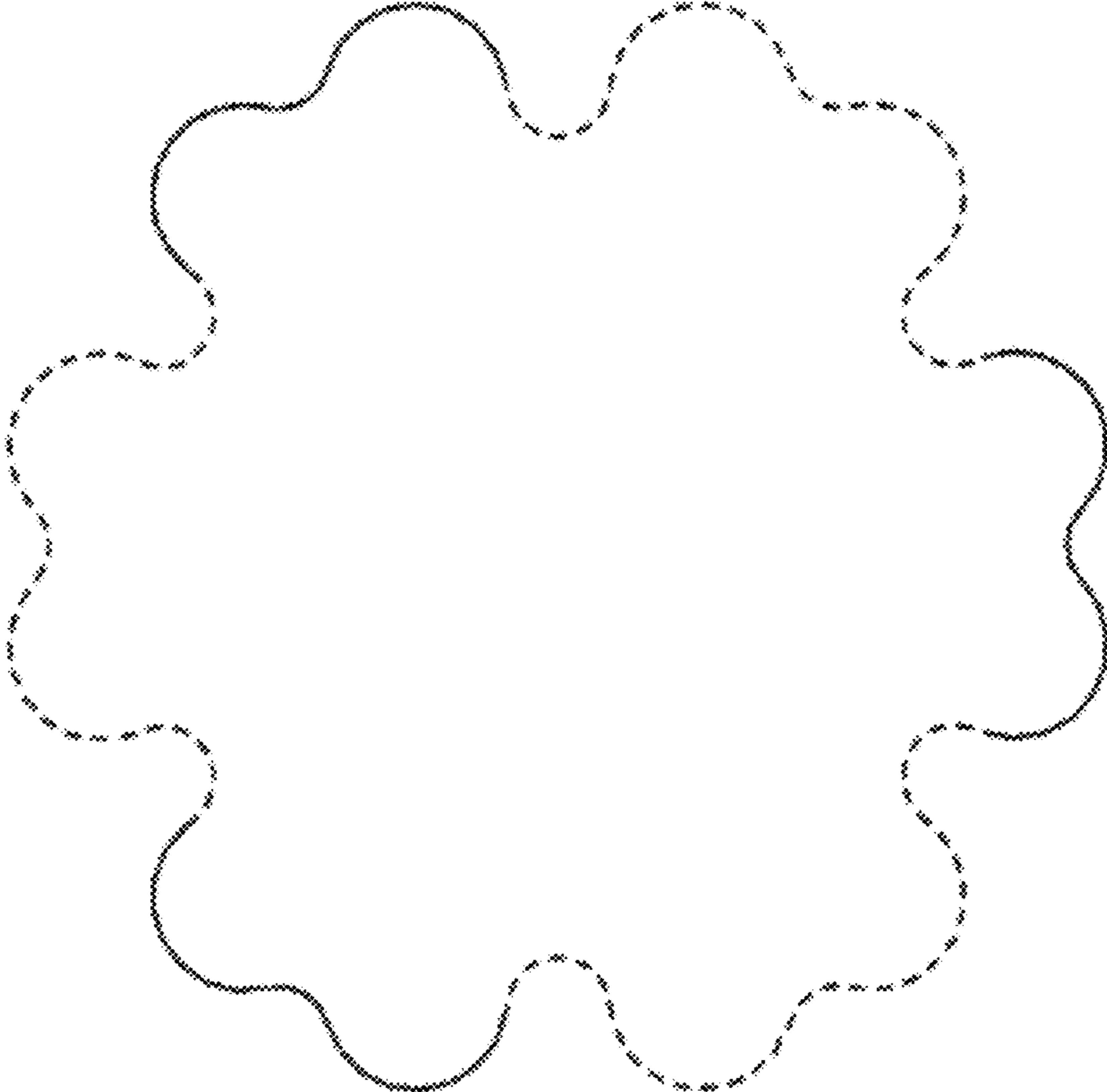


FIG. 2

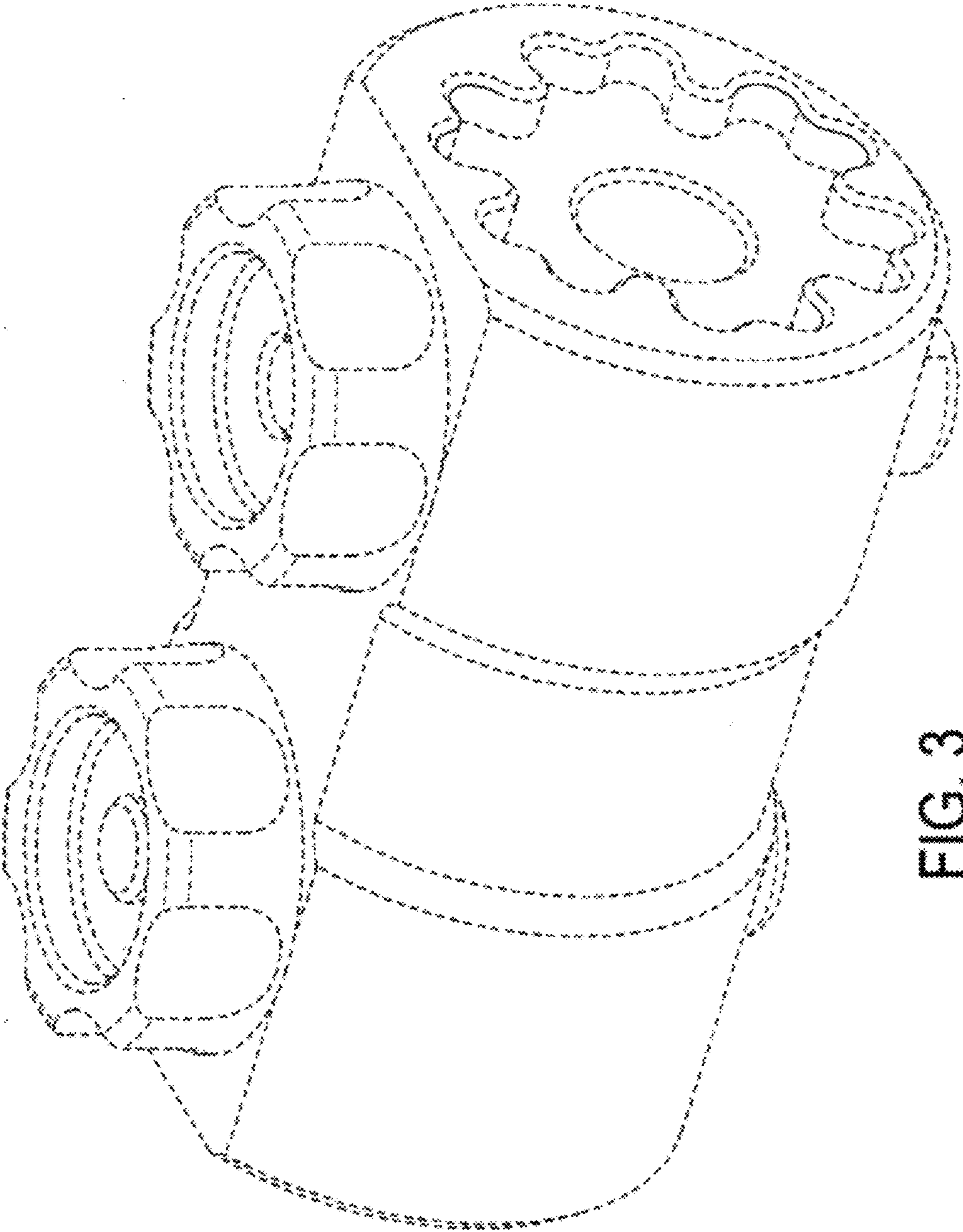


FIG. 3

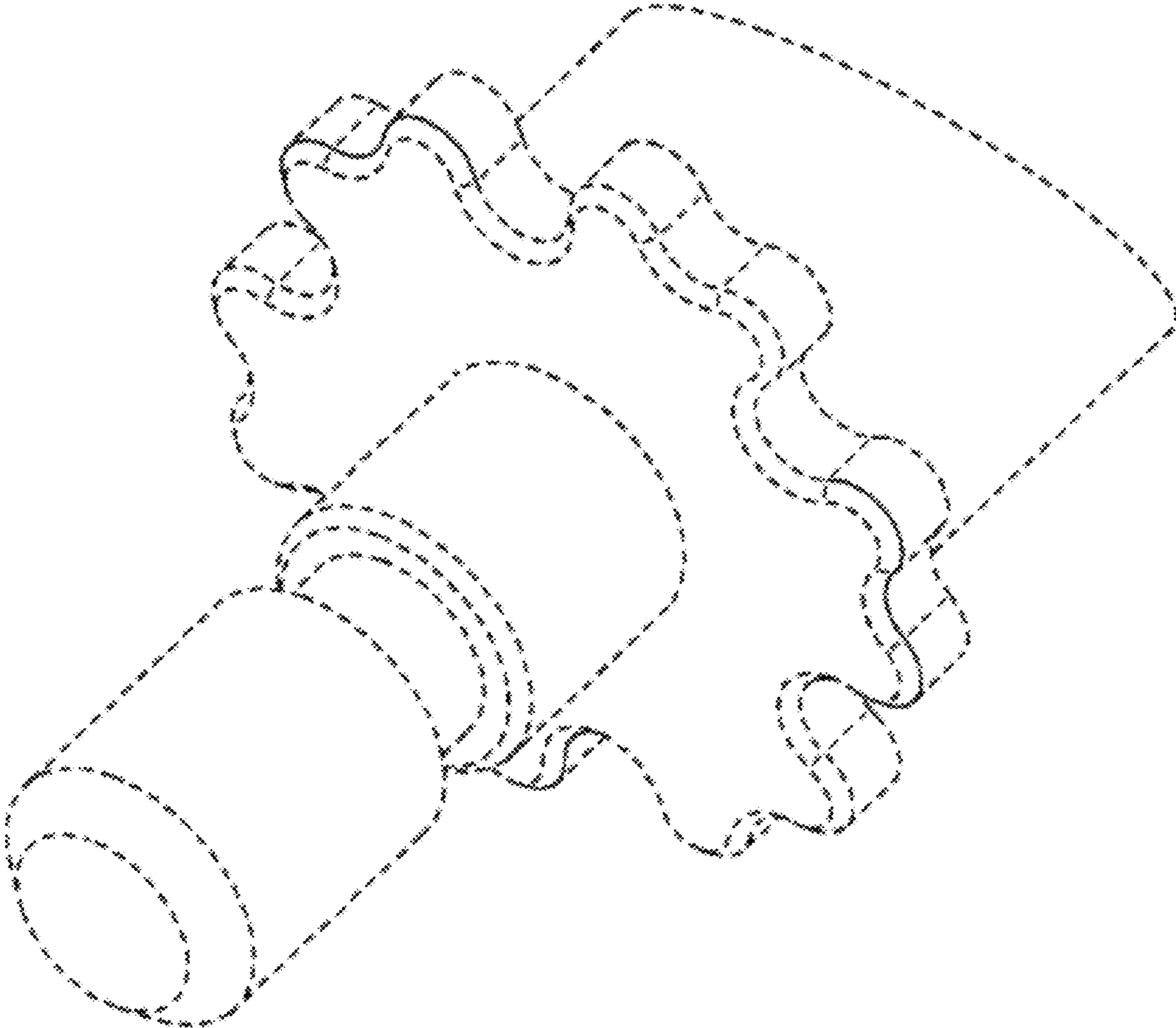


FIG. 4