

US00D759805S

(12) **United States Design Patent**
Djupesland

(10) **Patent No.:** **US D759,805 S**
(45) **Date of Patent:** **** Jun. 21, 2016**

(54) **NOSEPIECE UNIT**

7,543,581 B2 6/2009 Djupesland
7,740,014 B2 6/2010 Djupesland
7,784,460 B2* 8/2010 Djupesland A61M 15/00
128/203.12

(71) Applicant: **OPTINOSE AS**, Oslo (NO)

(72) Inventor: **Per Gisle Djupesland**, Oslo (NO)

(Continued)

(73) Assignee: **OptiNose AS**, Oslo (NO)

FOREIGN PATENT DOCUMENTS

(**) Term: **14 Years**

WO WO 96/22802 8/1996
WO WO 98/53869 12/1998

(21) Appl. No.: **29/517,305**

(Continued)

(22) Filed: **Feb. 11, 2015**

Primary Examiner — Wan Laymon

Assistant Examiner — Mark Booker

(74) *Attorney, Agent, or Firm* — Finnegan, Henderson, Farabow, Garrett & Dunner LLP

Related U.S. Application Data

(62) Division of application No. 29/455,733, filed on May 23, 2013.

(51) **LOC (10) Cl.** **29-02**

(52) **U.S. Cl.**
USPC **D24/110**

(58) **Field of Classification Search**

USPC D24/110, 108, 110.5; 128/200.13,
128/200.14, 200.23, 200.24, 201.23,
128/201.28, 203.15, 203.18, 203.21,
128/203.22, 203.29, 204.11, 204.12,
128/206.11, 207.18

CPC A61M 15/08; A61M 15/085; A61M
15/0021; A61M 15/0098; A61M 2202/064;
A61M 2210/0625; A61M 31/00

See application file for complete search history.

(57) **CLAIM**

I claim the ornamental design for a nosepiece unit, as shown and described.

DESCRIPTION

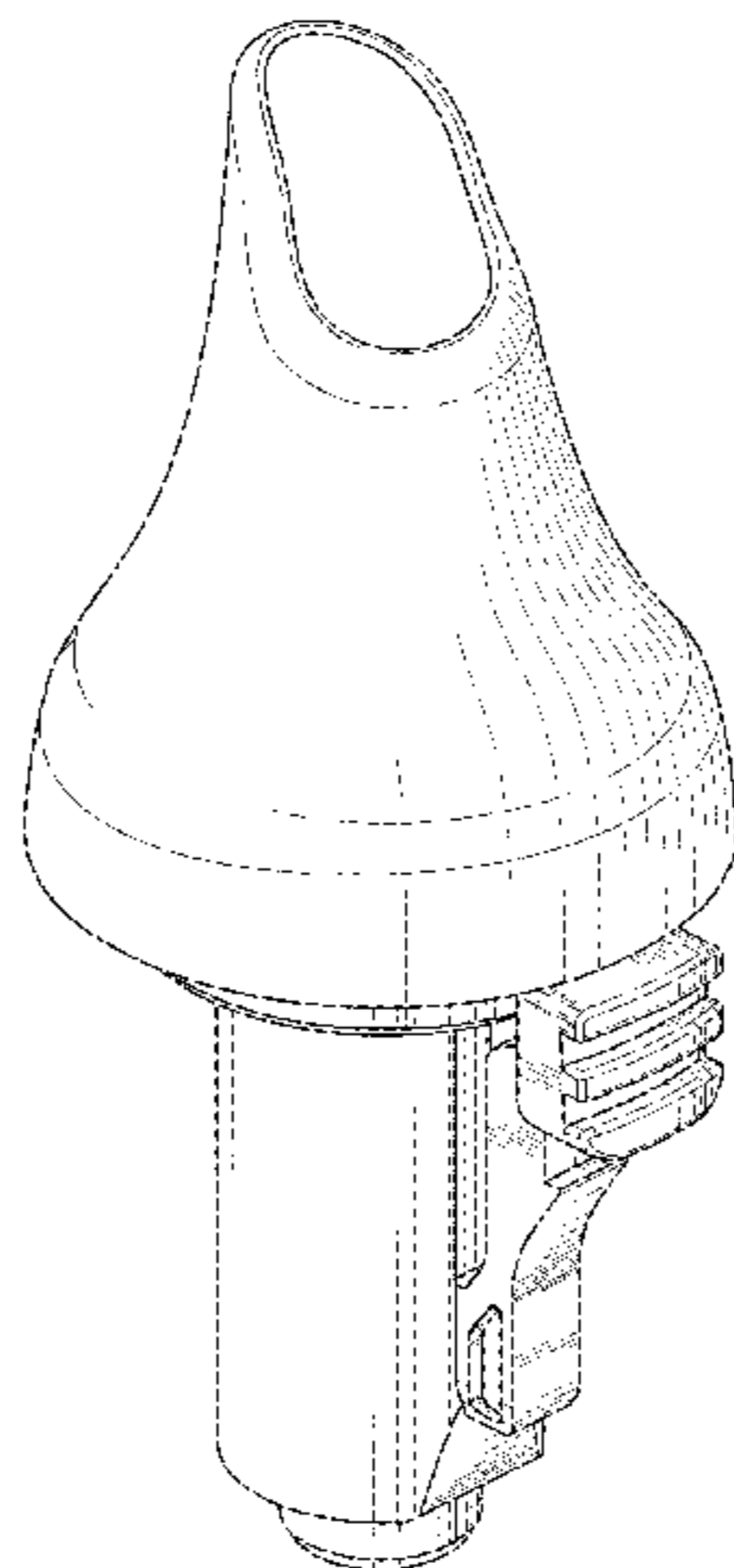
FIG. 1 is a front, top perspective view of a first embodiment of a nosepiece unit showing the new design; FIG. 2 is a front elevation view thereof; FIG. 3 is a rear elevation view thereof; FIG. 4 is a left side view thereof; FIG. 5 is a right side view thereof; FIG. 6 is a top plan view thereof; FIG. 7 is a bottom plan view thereof; FIG. 8 is a front, top perspective view of a second embodiment showing the new design; FIG. 9 is a front elevation view thereof; FIG. 10 is a rear elevation view thereof; FIG. 11 is a left side view thereof; FIG. 12 is a right side view thereof; FIG. 13 is a top plan view thereof; and, FIG. 14 is a bottom plan view thereof. The broken lines of even length shown in the drawings illustrate portions of the nosepiece unit that form no part of the claimed design.

(56) **References Cited**

U.S. PATENT DOCUMENTS

605,436 A 6/1898 Kellogg
642,748 A 2/1900 Manners
746,749 A 12/1903 Seidel
5,797,392 A 8/1998 Keldmann et al.
6,648,848 B1 11/2003 Keldmann et al.
6,715,485 B1 4/2004 Djupesland
D530,815 S 10/2006 Murphy et al.
7,347,201 B2 3/2008 Djupesland
7,377,901 B2 5/2008 Djupesland et al.
7,481,218 B2 1/2009 Djupesland

1 Claim, 14 Drawing Sheets



(56)

References Cited

U.S. PATENT DOCUMENTS

7,841,337 B2 11/2010 Djupesland
 7,854,227 B2 12/2010 Djupesland
 7,934,503 B2 5/2011 Djupesland et al.
 7,975,690 B2 7/2011 Djupesland
 8,047,202 B2 11/2011 Djupesland
 8,146,589 B2 4/2012 Djupesland
 8,171,929 B2 5/2012 Djupesland et al.
 8,327,844 B2 12/2012 Djupesland
 8,511,303 B2 8/2013 Djupesland
 8,522,778 B2 9/2013 Djupesland
 8,550,073 B2 10/2013 Djupesland
 8,555,877 B2 10/2013 Djupesland
 8,555,878 B2 10/2013 Djupesland
 8,590,530 B2 11/2013 Djupesland et al.
 8,596,278 B2 12/2013 Djupesland
 8,800,555 B2 8/2014 Djupesland
 8,875,704 B2 11/2014 Djupesland et al.
 8,899,229 B2 12/2014 Djupesland et al.
 8,910,629 B2 12/2014 Djupesland et al.
 D723,156 S 2/2015 Djupesland et al.
 D725,769 S 3/2015 Djupesland et al.
 8,978,647 B2 3/2015 Djupesland et al.
 9,010,325 B2* 4/2015 Djupesland A61M 15/0028
 128/203.15
 9,038,630 B2 5/2015 Djupesland et al.
 9,067,034 B2 6/2015 Djupesland et al.
 9,072,857 B2 7/2015 Djupesland
 9,108,015 B2 8/2015 Djupesland
 9,119,932 B2 9/2015 Djupesland
 9,132,249 B2 9/2015 Djupesland
 9,144,652 B2 9/2015 Djupesland et al.
 9,168,341 B2 10/2015 Djupesland
 9,205,208 B2 12/2015 Djupesland
 9,205,209 B2 12/2015 Djupesland
 2004/0024330 A1 2/2004 Djupesland et al.
 2004/0112378 A1 6/2004 Djupesland
 2004/0112379 A1 6/2004 Djupesland
 2004/0112380 A1 6/2004 Djupesland
 2004/0149289 A1 8/2004 Djupesland
 2004/0182388 A1 9/2004 Djupesland
 2005/0028812 A1 2/2005 Djupesland
 2005/0072430 A1 4/2005 Djupesland
 2005/0235992 A1 10/2005 Djupesland
 2006/0096589 A1 5/2006 Djupesland
 2006/0107957 A1 5/2006 Djupesland
 2006/0169278 A1 8/2006 Djupesland et al.
 2006/0219240 A1 10/2006 Djupesland
 2006/0219241 A1 10/2006 Djupesland
 2006/0225732 A1 10/2006 Djupesland
 2006/0231094 A1 10/2006 Djupesland
 2007/0039614 A1 2/2007 Djupesland
 2007/0125371 A1 6/2007 Djupesland
 2007/0186927 A1 8/2007 Djupesland et al.
 2008/0161771 A1 7/2008 Djupesland
 2008/0163874 A1 7/2008 Djupesland
 2008/0221471 A1 9/2008 Djupesland et al.
 2008/0223363 A1 9/2008 Djupesland
 2008/0289629 A1 11/2008 Djupesland et al.
 2009/0101146 A1 4/2009 Djupesland
 2009/0293873 A1 12/2009 Djupesland et al.
 2009/0304802 A1 12/2009 Djupesland et al.
 2009/0314293 A1 12/2009 Djupesland
 2009/0320832 A1 12/2009 Djupesland
 2010/0035805 A1 2/2010 Hafner
 2010/0051022 A1 3/2010 Djupesland et al.
 2010/0057047 A1 3/2010 Djupesland et al.
 2010/0242959 A1 9/2010 Djupesland et al.
 2010/0282246 A1* 11/2010 Djupesland A61M 15/08
 128/200.14
 2010/0288275 A1 11/2010 Djupesland et al.
 2010/0300439 A1 12/2010 Djupesland et al.
 2011/0023869 A1 2/2011 Djupesland
 2011/0053827 A1 3/2011 Hafner
 2011/0088690 A1 4/2011 Djupesland et al.
 2011/0088691 A1 4/2011 Djupesland

2011/0114087 A1 5/2011 Djupesland et al.
 2011/0126830 A1 6/2011 Djupesland et al.
 2011/0259329 A1 10/2011 Djupesland et al.
 2011/0318345 A1 12/2011 Djupesland
 2012/0000459 A1 1/2012 Djupesland
 2012/0006323 A1 1/2012 Djupesland
 2012/0073571 A1 3/2012 Djupesland
 2012/0090608 A1 4/2012 Djupesland et al.
 2012/0260915 A1 10/2012 Djupesland
 2013/0098362 A1 4/2013 Djupesland et al.
 2013/0125889 A1 5/2013 Djupesland et al.
 2013/0327320 A1 12/2013 Djupesland
 2014/0018295 A1 1/2014 Djupesland
 2014/0041660 A1 2/2014 Djupesland et al.
 2014/0060536 A1 3/2014 Djupesland
 2014/0073562 A1 3/2014 Djupesland
 2014/0144442 A1 5/2014 Djupesland et al.
 2014/0144443 A1 5/2014 Djupesland et al.
 2014/0166008 A1 6/2014 Djupesland
 2014/0202456 A1 7/2014 Djupesland
 2014/0246022 A1 9/2014 Djupesland et al.
 2015/0007811 A1 1/2015 Djupesland et al.
 2015/0013670 A1* 1/2015 Djupesland A61M 15/009
 128/200.21
 2015/0013677 A1* 1/2015 Djupesland A61M 15/08
 128/203.18
 2015/0053201 A1 2/2015 Djupesland et al.
 2015/0090259 A1 4/2015 Djupesland et al.
 2015/0101605 A1 4/2015 Djupesland et al.
 2015/0144129 A1 5/2015 Djupesland et al.
 2015/0182709 A1* 7/2015 Djupesland A61M 15/00
 128/200.23
 2015/0246194 A1 9/2015 Djupesland et al.

FOREIGN PATENT DOCUMENTS

WO WO 00/51672 9/2000
 WO WO 01/97689 12/2001
 WO WO 02/068029 9/2002
 WO WO 02/068030 9/2002
 WO WO 02/068031 9/2002
 WO WO 02/068032 9/2002
 WO WO 03/000310 1/2003
 WO WO 03/020350 3/2003
 WO WO 03/082393 10/2003
 WO WO 03/084591 10/2003
 WO WO 03/090812 11/2003
 WO WO 2004/004814 1/2004
 WO WO 2004/004922 1/2004
 WO WO 2004/060433 7/2004
 WO WO 2004/103447 12/2004
 WO WO 2005/016423 2/2005
 WO WO 2005/021059 3/2005
 WO WO 2006/030210 3/2006
 WO WO 2006/090149 8/2006
 WO WO 2007/083073 7/2007
 WO WO 2007/093784 8/2007
 WO WO 2007/093791 8/2007
 WO WO 2007/099361 9/2007
 WO WO 2007/102089 9/2007
 WO WO 2007/107887 9/2007
 WO WO 2007/125318 11/2007
 WO WO 2007/141541 12/2007
 WO WO 2008/012531 1/2008
 WO WO 2008/065403 6/2008
 WO WO 2008/081326 7/2008
 WO WO 2008/081327 7/2008
 WO WO 2008/122791 10/2008
 WO WO 2008/122795 10/2008
 WO WO 2009/044172 4/2009
 WO WO 2010/029441 3/2010
 WO WO 2012/035427 3/2012
 WO WO 2012/123819 9/2012
 WO WO 2013/124491 8/2013
 WO WO 2013/124492 8/2013
 WO WO 2013/124493 8/2013
 WO WO 2014/155192 10/2014

* cited by examiner

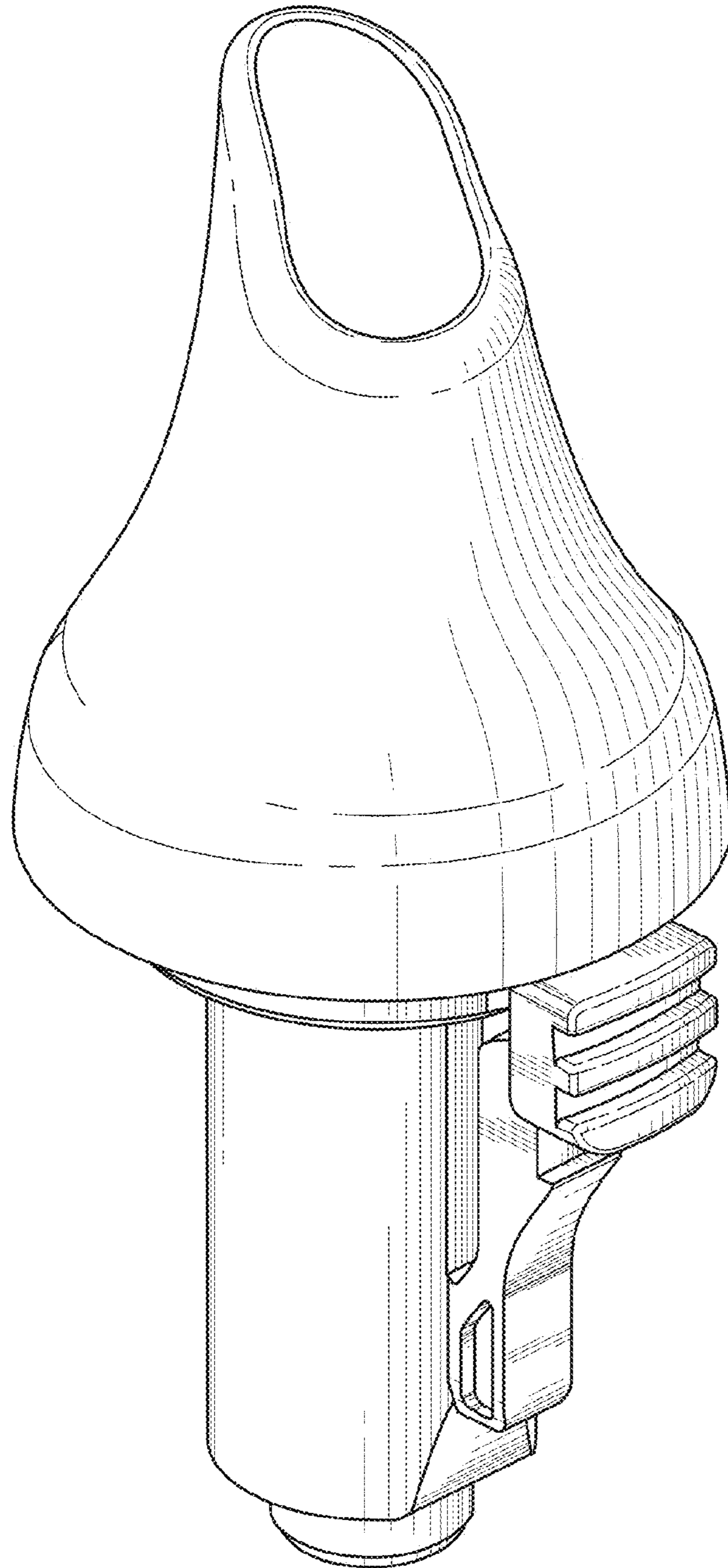


FIG. 1

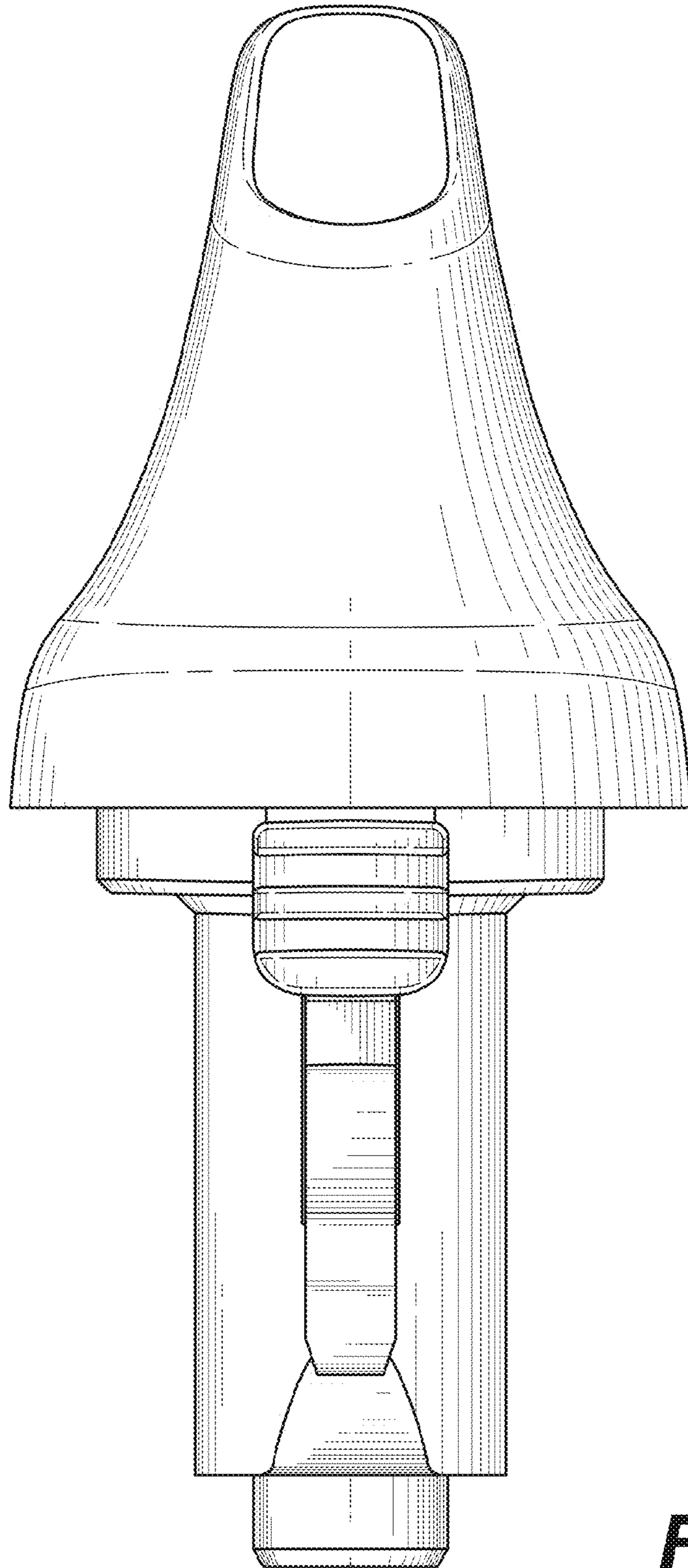


FIG. 2

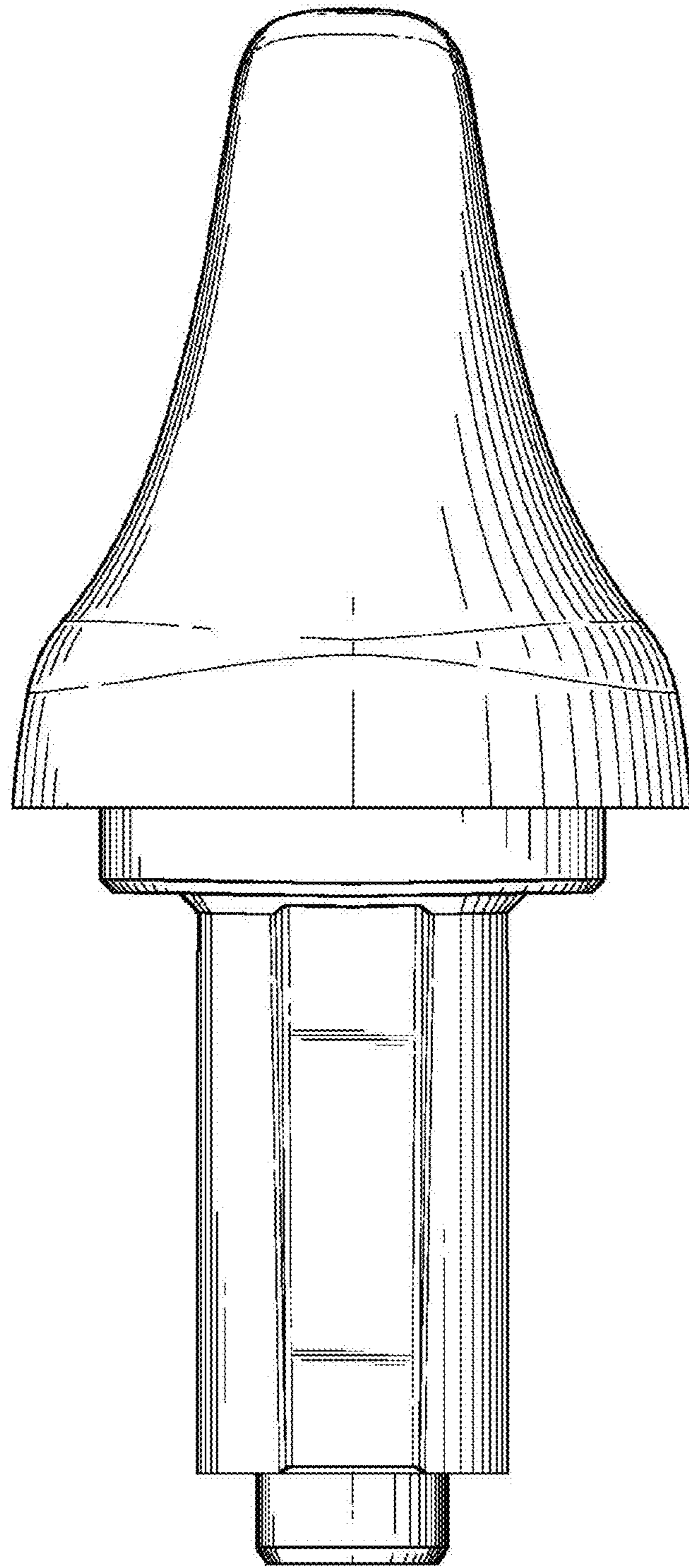


FIG. 3

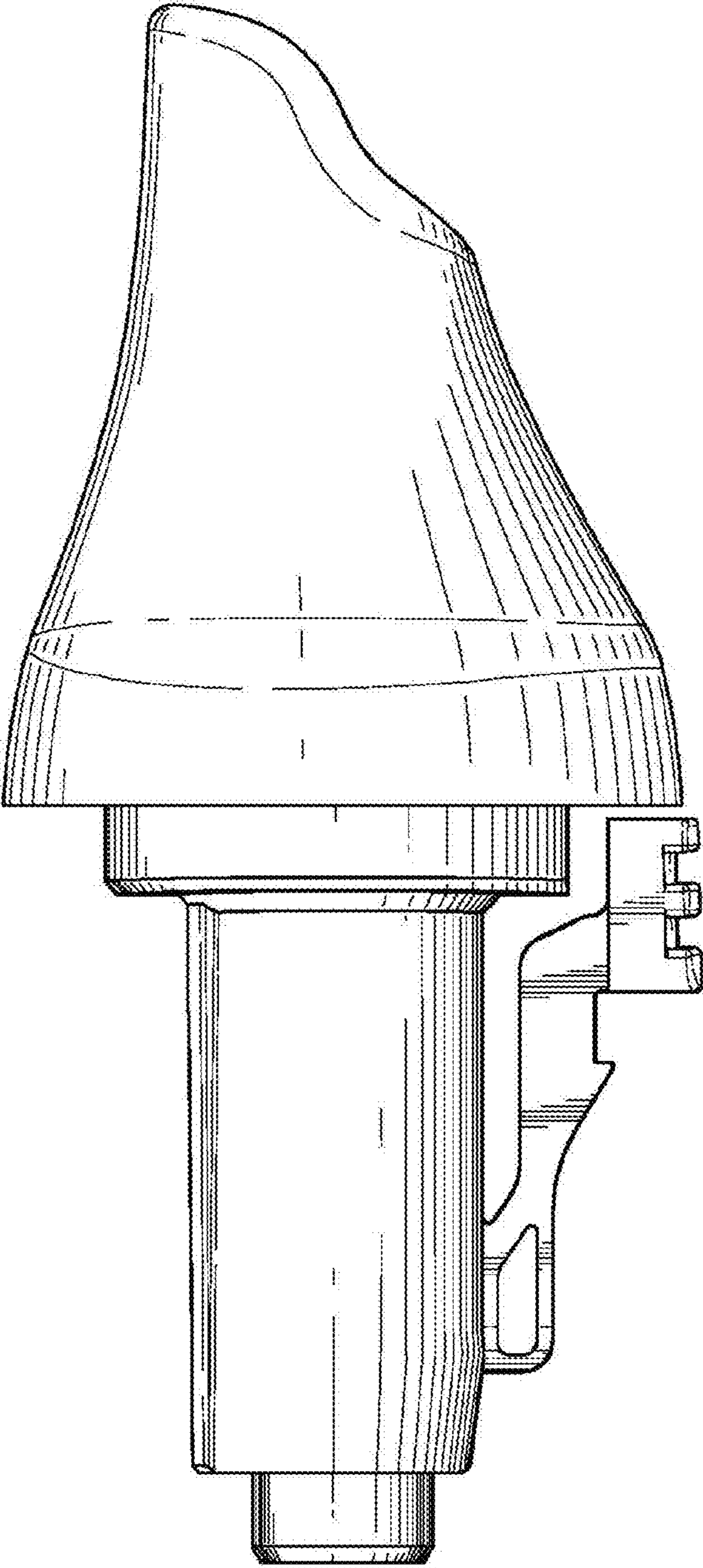


FIG. 4

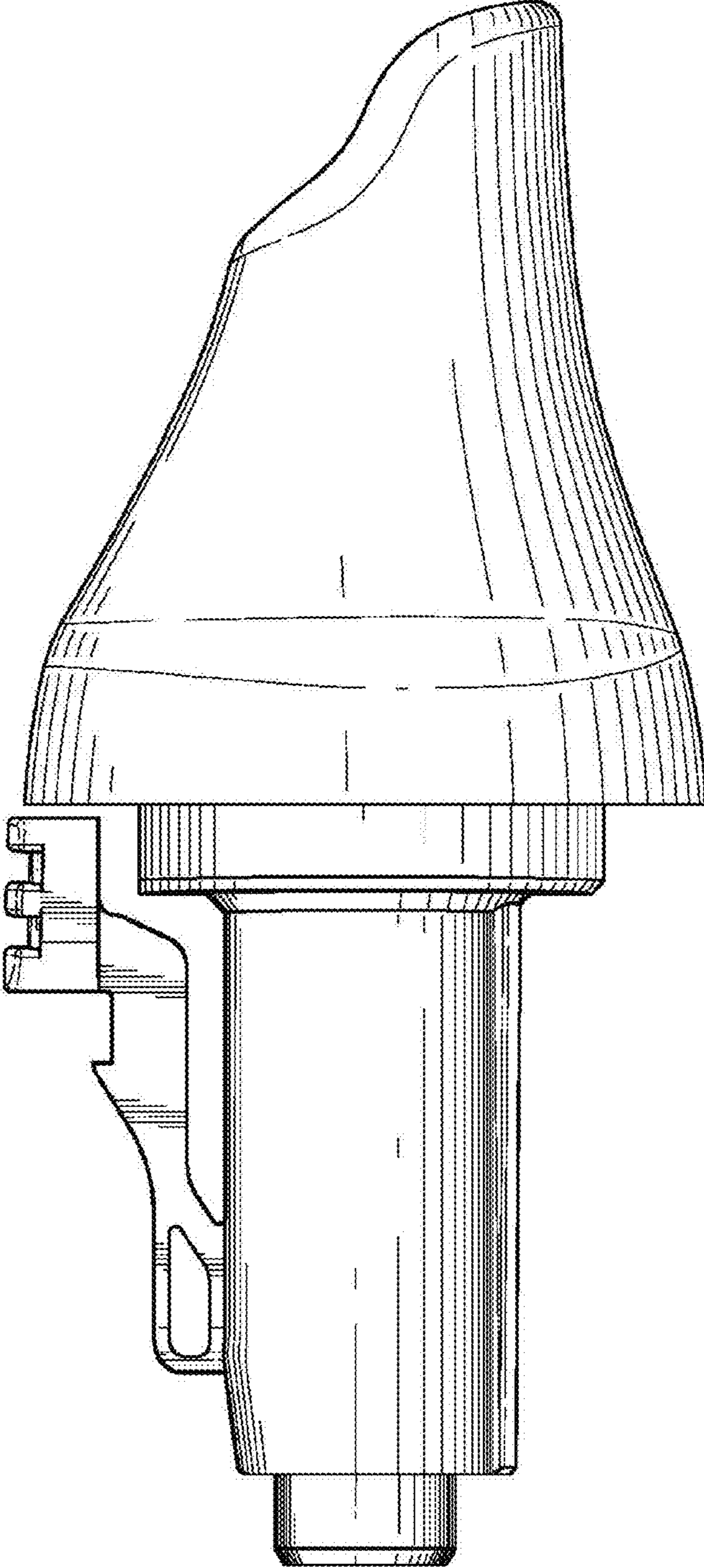


FIG. 5

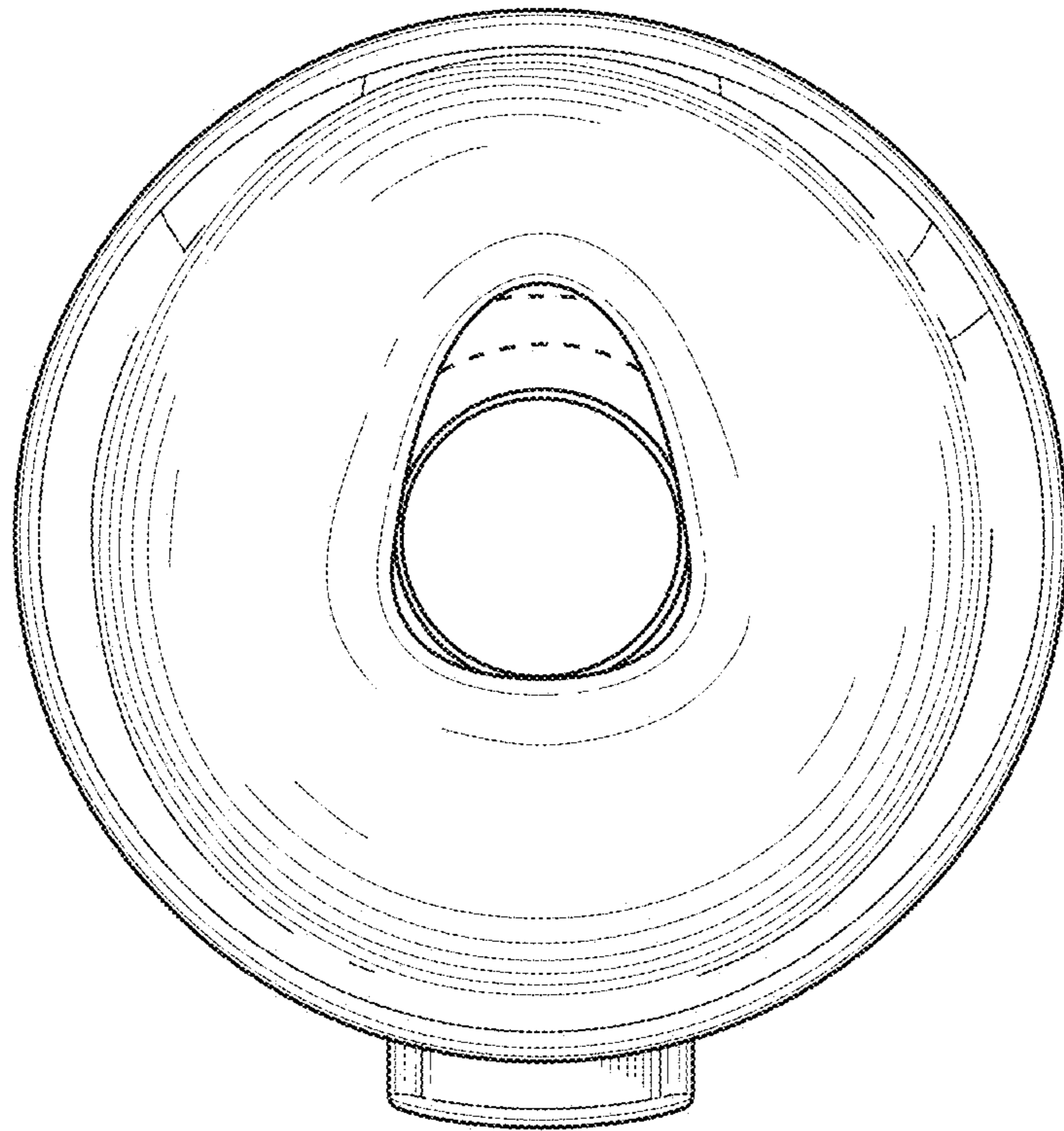


FIG. 6

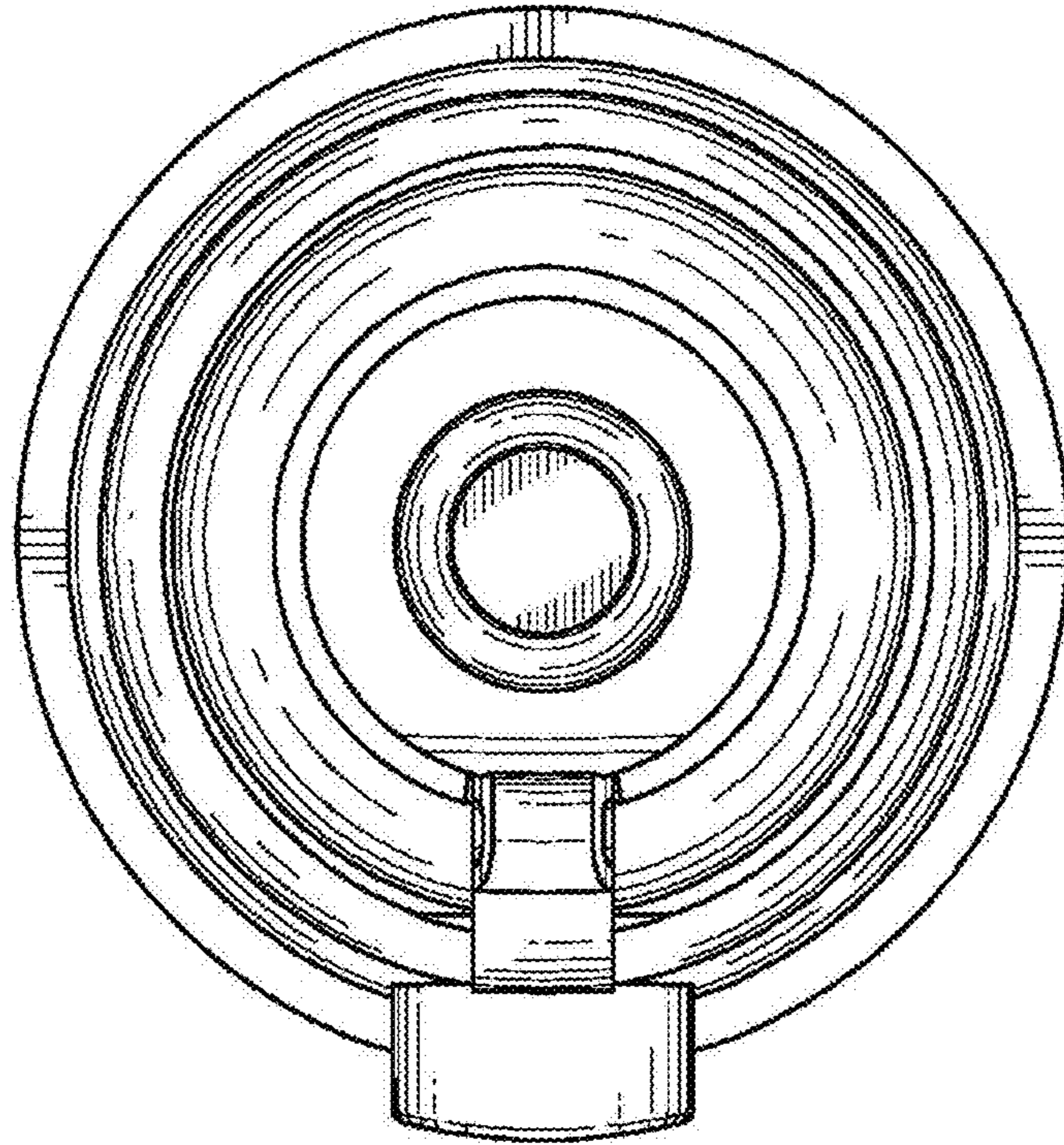


FIG. 7

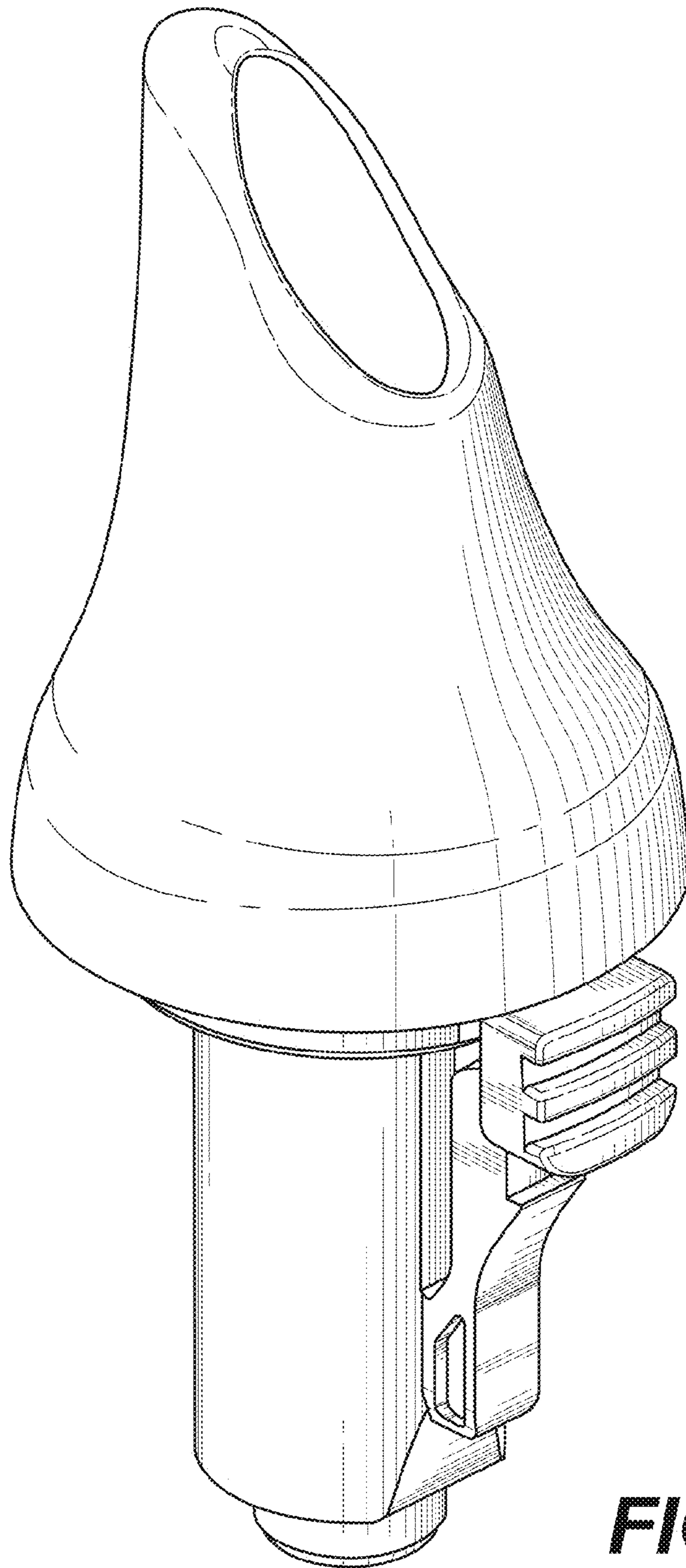


FIG. 8

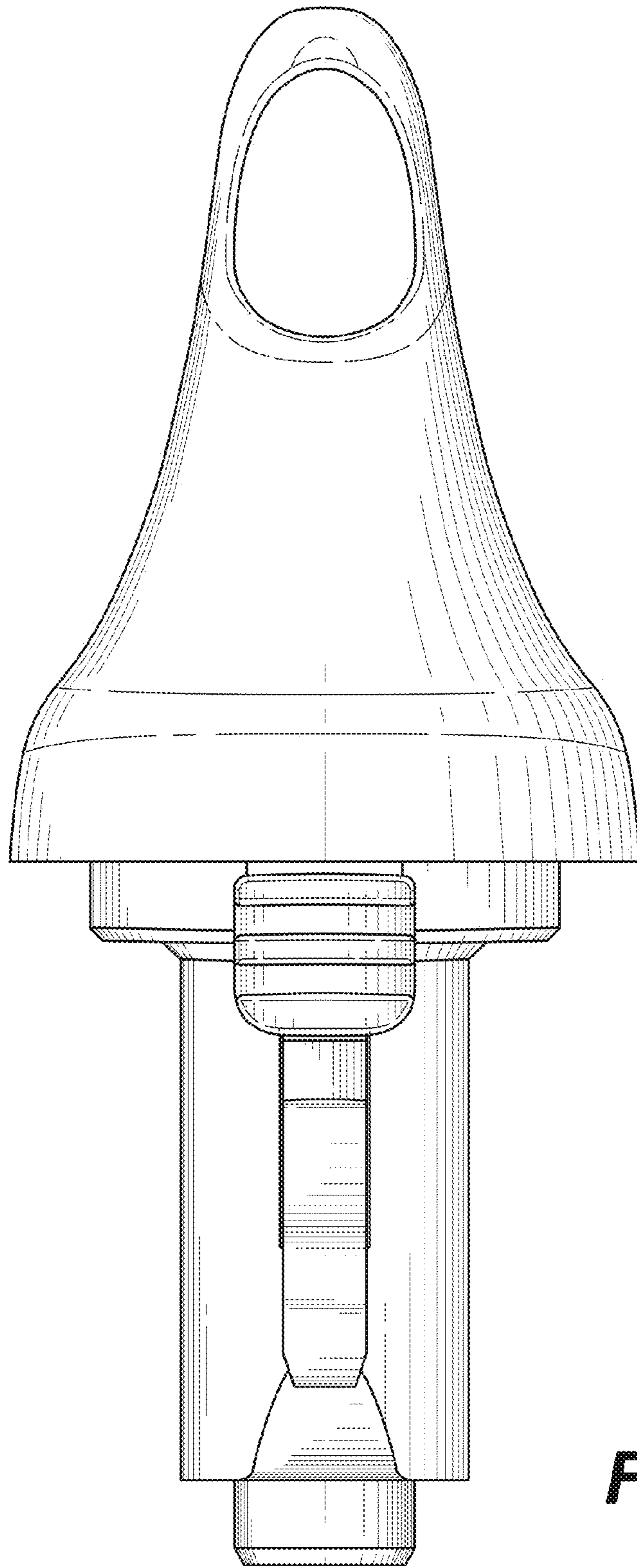


FIG. 9

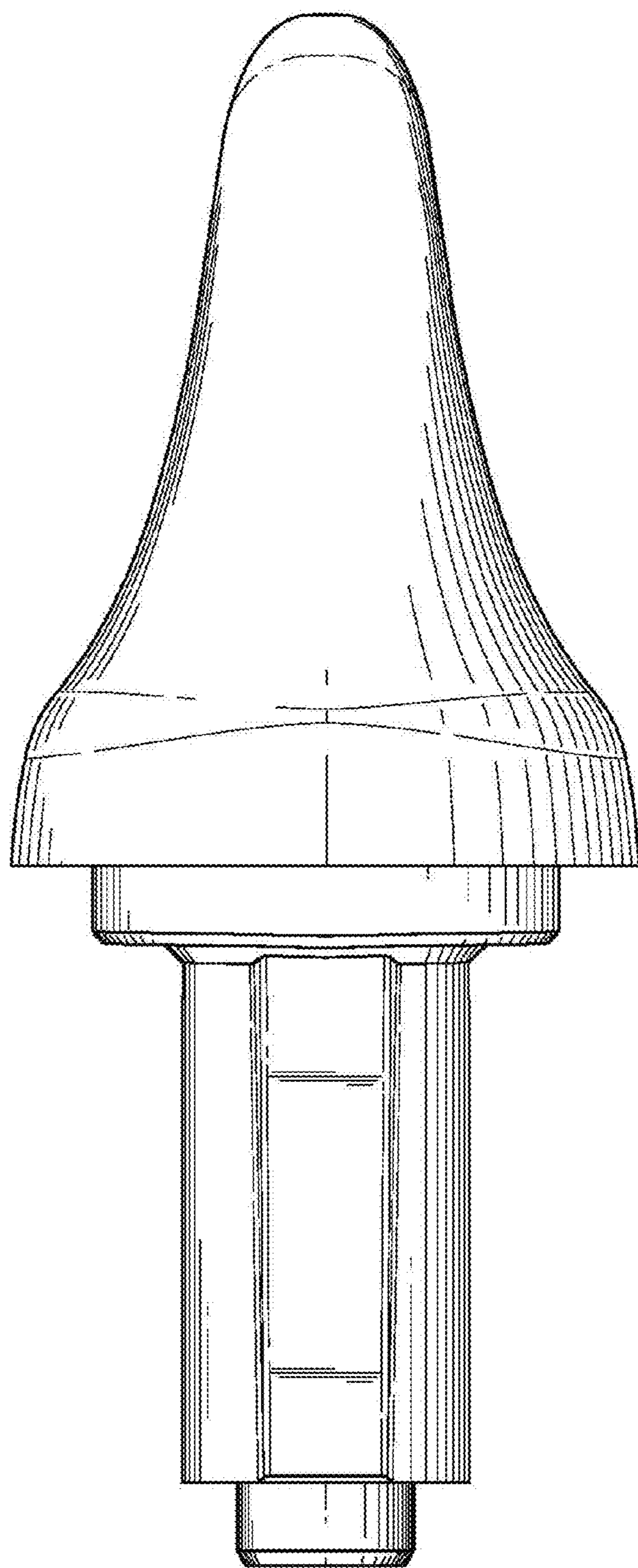


FIG. 10

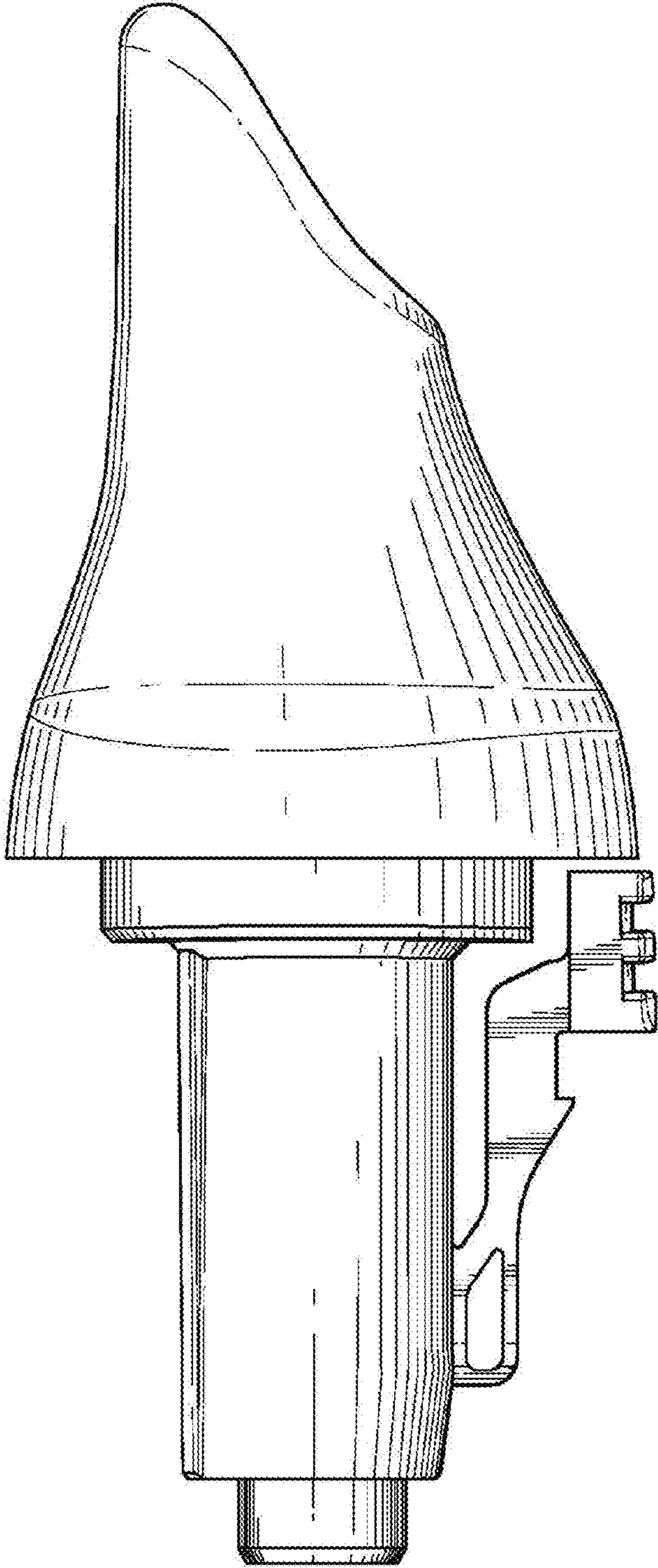


FIG. 11

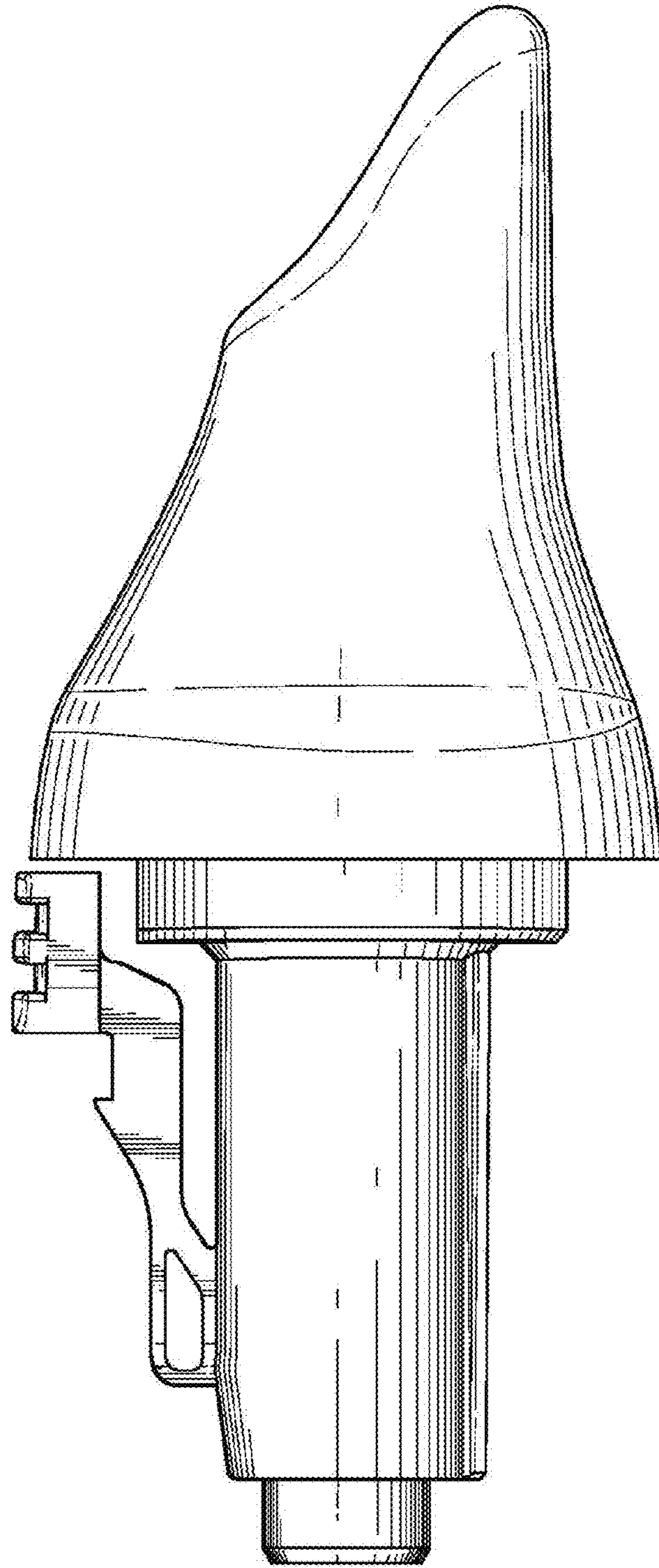


FIG. 12

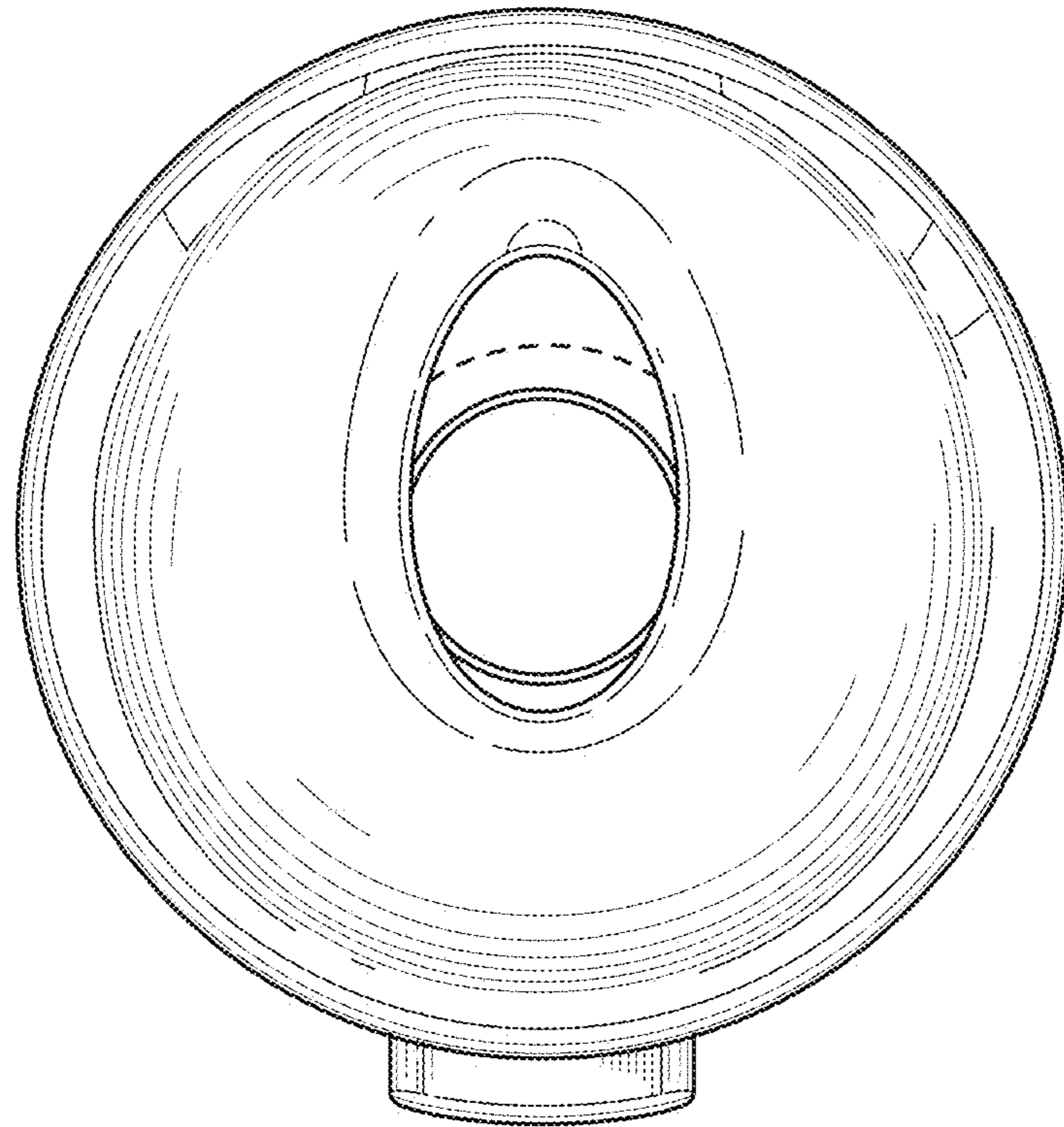


FIG. 13

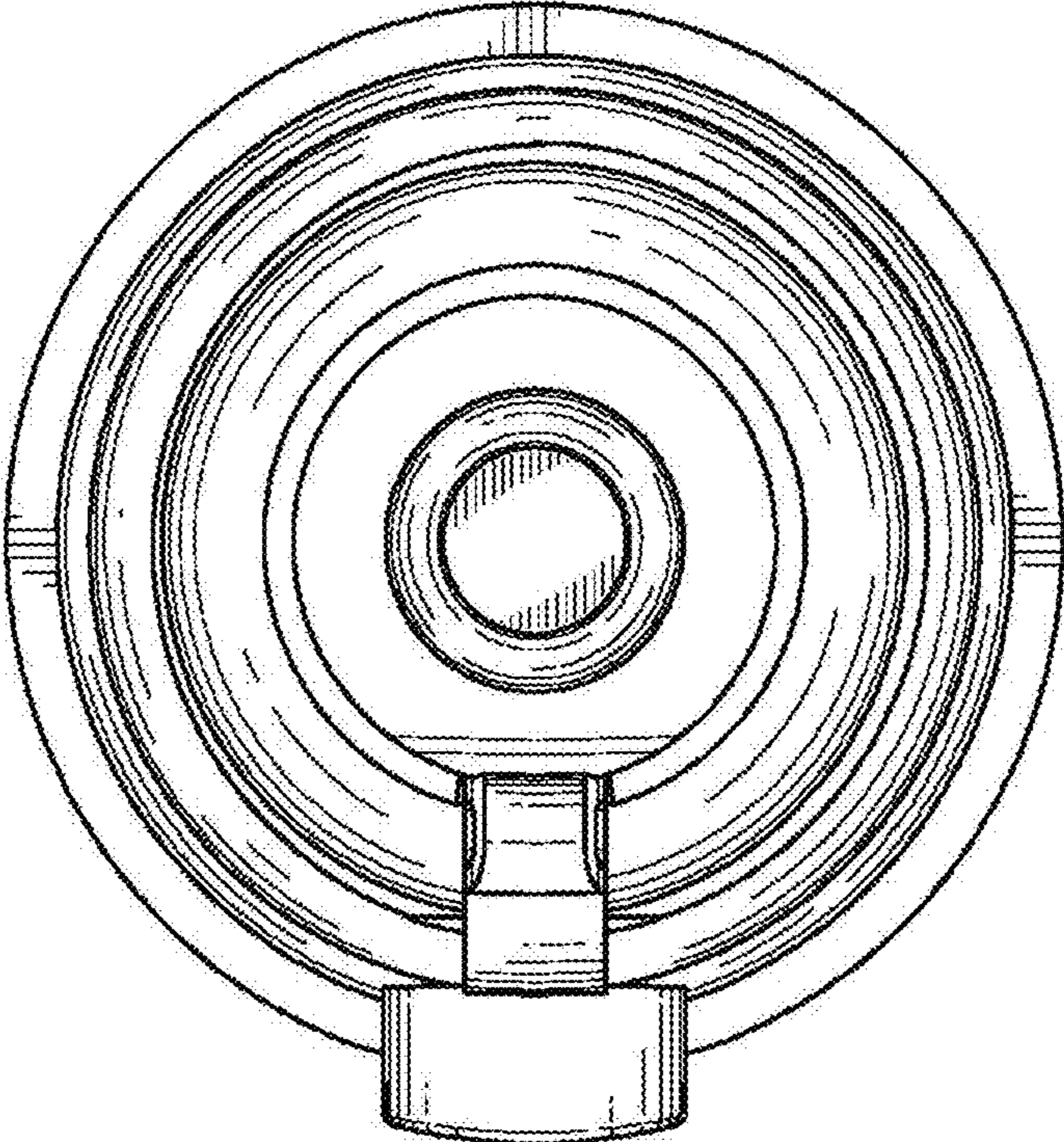


FIG. 14