



US00D759804S

(12) **United States Design Patent**
Singh et al.

(10) **Patent No.:** **US D759,804 S**
(45) **Date of Patent:** **** Jun. 21, 2016**

(54) **RESPIRATORY DEVICE**
(71) Applicant: **KONINKLIJKE PHILIPS N.V.**,
Eindhoven (NL)
(72) Inventors: **Amit Kumar Singh**, Haryana (IN); **Anil Shivram Raiker**, Goa (IN); **Abhimanyu Kulkarni**, Haryana (IN)
(73) Assignee: **KONINKLIJKE PHILIPS N.V.**,
Eindhoven (NL)
(**) Term: **14 Years**
(21) Appl. No.: **29/515,042**
(22) Filed: **Jan. 20, 2015**

D683,444 S * 5/2013 Inoue D24/110
D683,445 S * 5/2013 Inoue D24/110
D696,393 S * 12/2013 Lu D24/110
D696,394 S * 12/2013 Lu D24/110
D710,989 S * 8/2014 Bertinetti D24/110
D732,158 S * 6/2015 Salmon D24/110
D734,446 S * 7/2015 Salmon D24/108
D740,929 S * 10/2015 Pipe D24/108
D740,930 S * 10/2015 Pipe D24/108
2007/0169781 A1 * 7/2007 Tang A61M 16/00
128/206.21
2007/0221220 A1 * 9/2007 Bright A61M 16/0057
128/204.18
2010/0229867 A1 * 9/2010 Bertinetti A61M 16/0051
128/205.25
2010/0319687 A1 * 12/2010 Esaki A61M 11/06
128/200.23
2013/0333701 A1 * 12/2013 Herron A61M 16/0875
128/203.27
2015/0197378 A1 * 7/2015 Miller B65D 43/166
220/810

(30) **Foreign Application Priority Data**
Jul. 22, 2014 (CN) 2014 3 0249887
Jul. 22, 2014 (EM) 002506576-0001
(51) **LOC (10) Cl.** **24-01**
(52) **U.S. Cl.**
USPC **D24/108**
(58) **Field of Classification Search**
USPC D24/107, 108, 110, 111, 164; D15/9
CPC A61M 11/02; A61M 16/0063; A61M
16/0057; A61M 16/00; A61M 16/0066;
A61M 16/16; A61M 15/002; A61M 15/0085;
A61M 11/005; A61B 5/097
See application file for complete search history.

* cited by examiner

Primary Examiner — Barbara Fox
Assistant Examiner — Lilyana Bekic
(74) *Attorney, Agent, or Firm* — Michael W. Haas

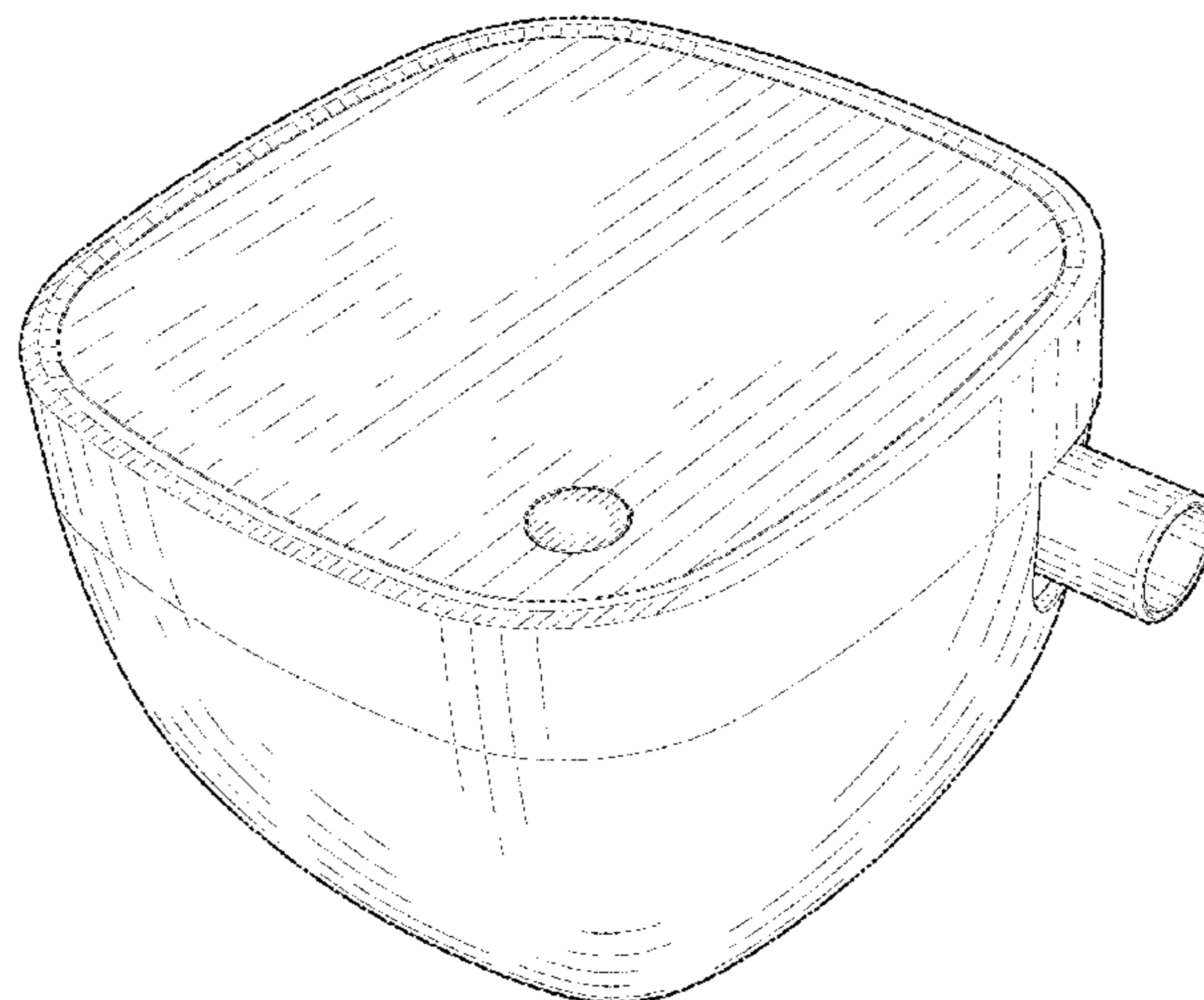
(56) **References Cited**
U.S. PATENT DOCUMENTS
D421,298 S * 2/2000 Kenyon D24/110
D570,473 S * 6/2008 Hamaguchi D24/110
7,478,635 B2 * 1/2009 Wixey A61M 16/16
128/203.17
D659,235 S * 5/2012 Bertinetti D24/110

(57) **CLAIM**
The ornamental design for a respiratory device, as shown and described.

DESCRIPTION

FIG. 1 is a perspective view of a respiratory device showing our design;
FIG. 2 is a front elevational view thereof;
FIG. 3 is a rear elevational view thereof;
FIG. 4 is a right side elevational view thereof;
FIG. 5 is a left side elevational view thereof;
FIG. 6 is a top plan view thereof; and,
FIG. 7 is a bottom plan view thereof.

1 Claim, 5 Drawing Sheets



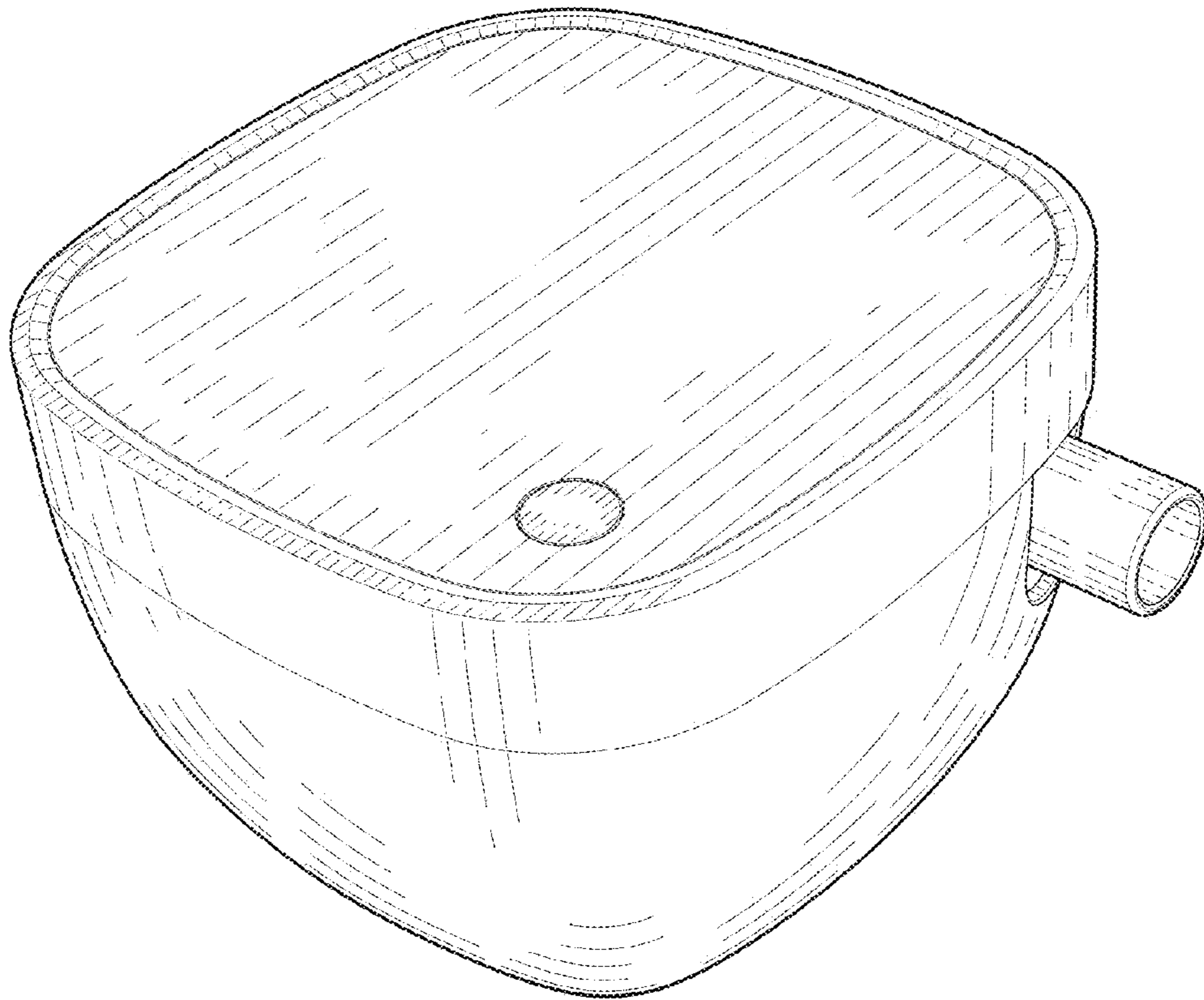


FIG. 1

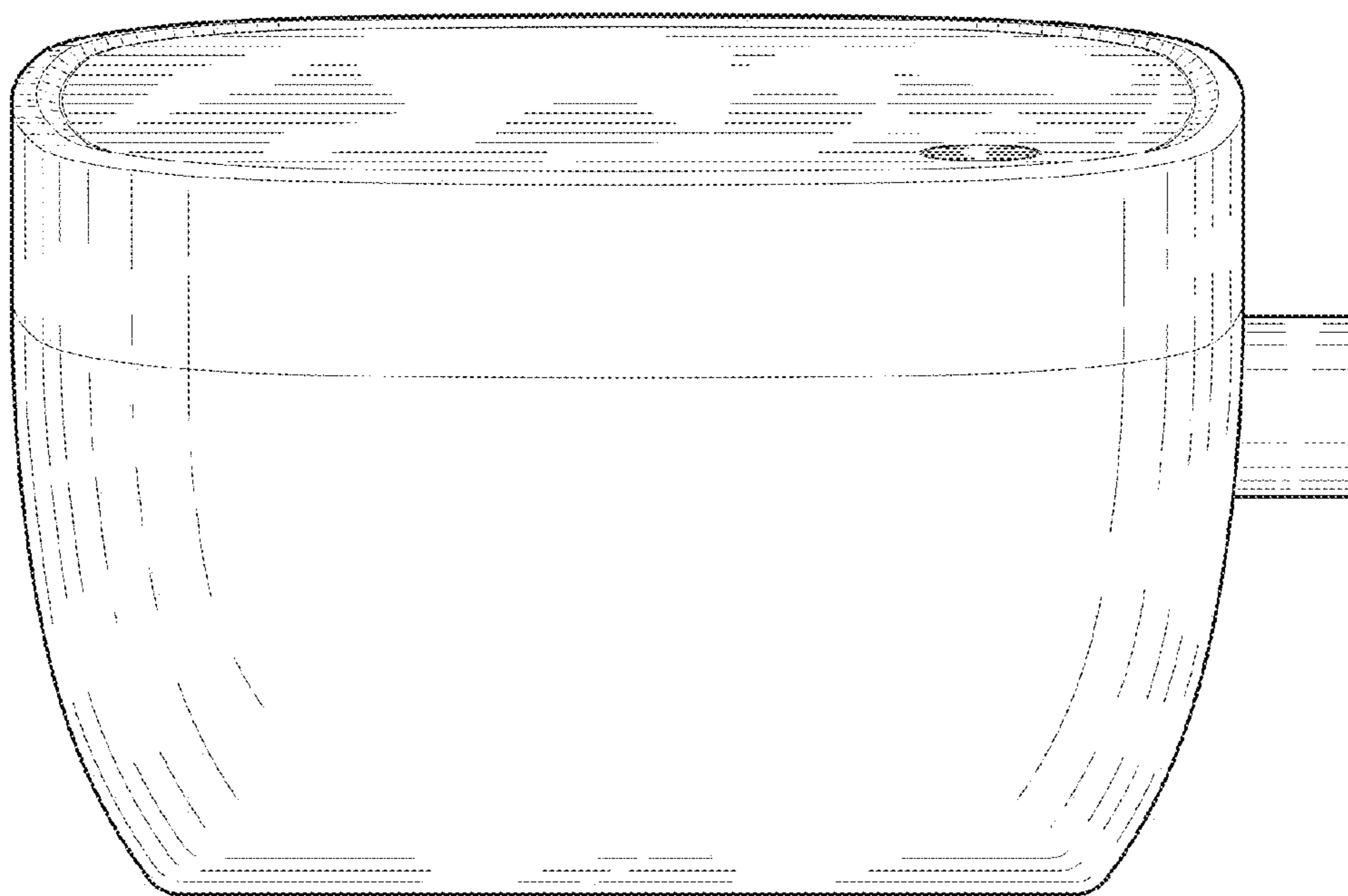


FIG. 2

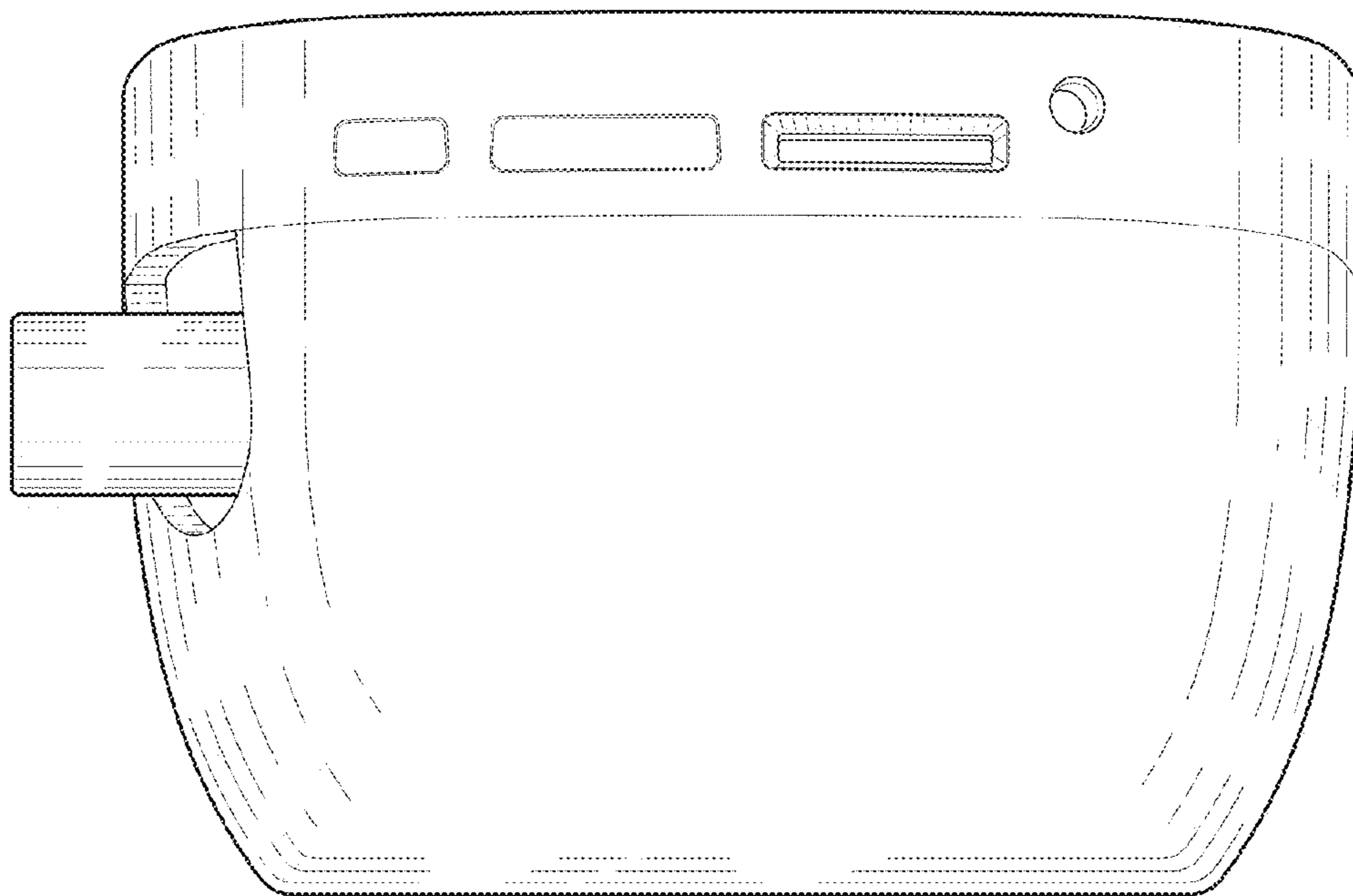


FIG. 3

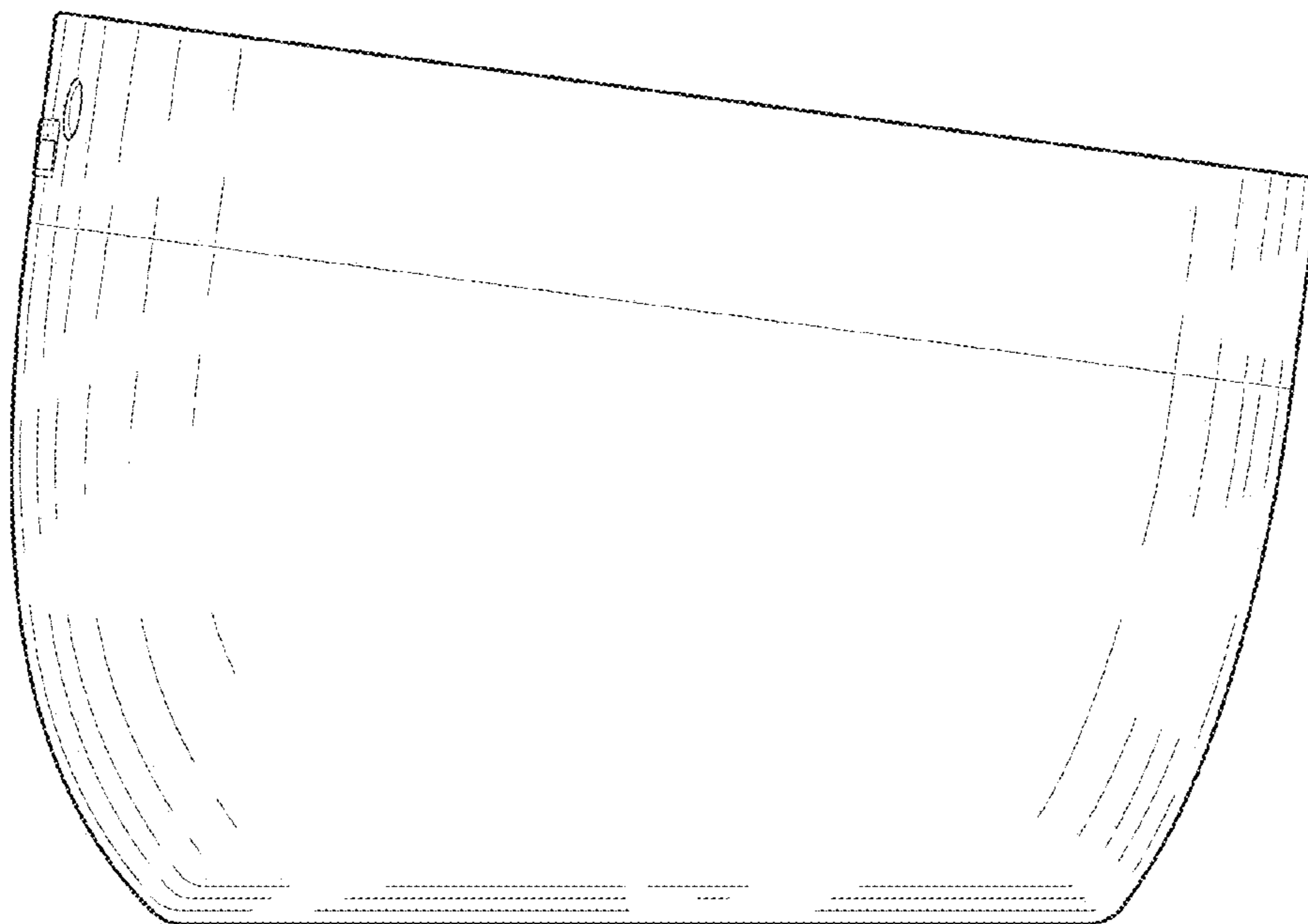


FIG. 4

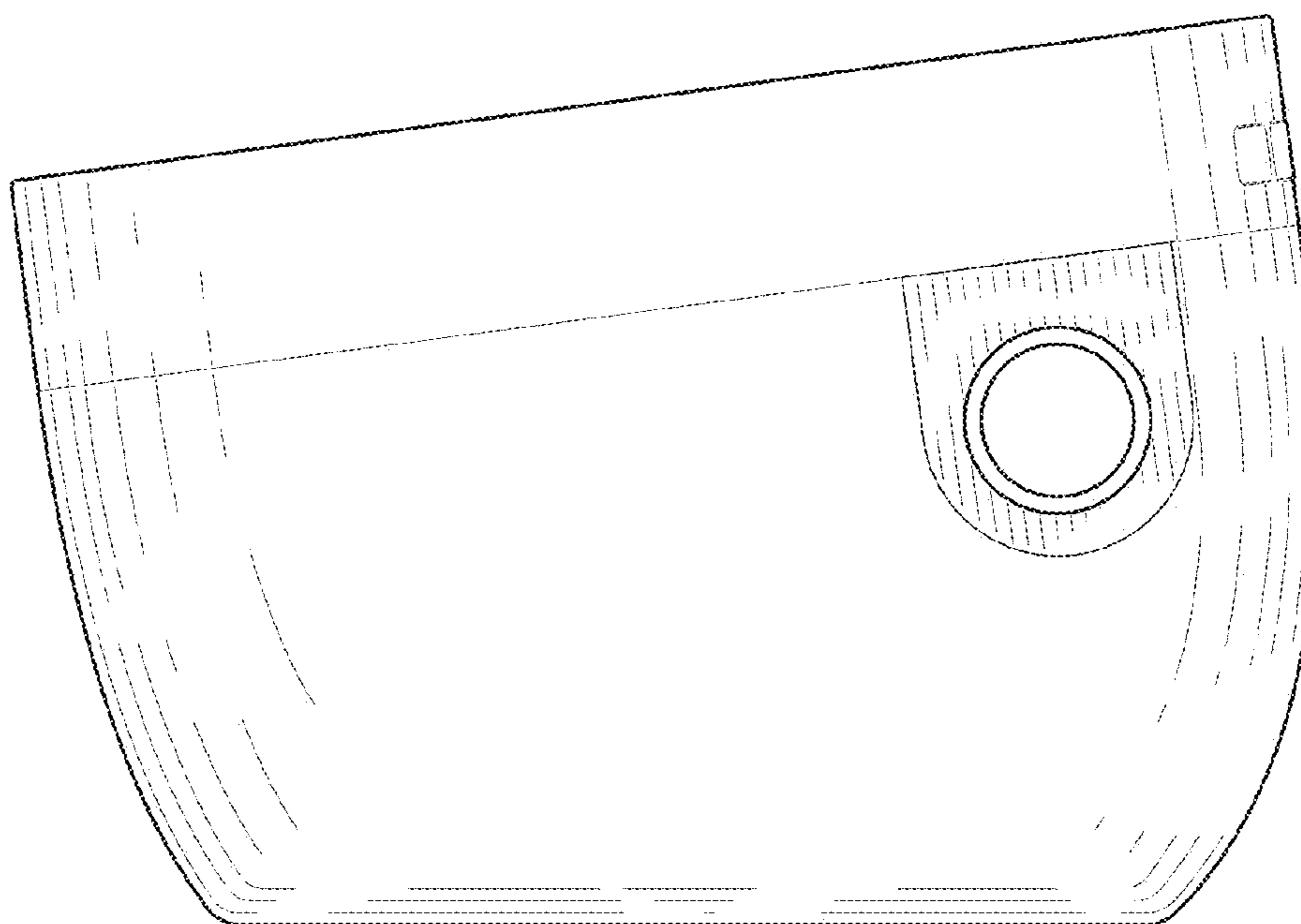


FIG. 5

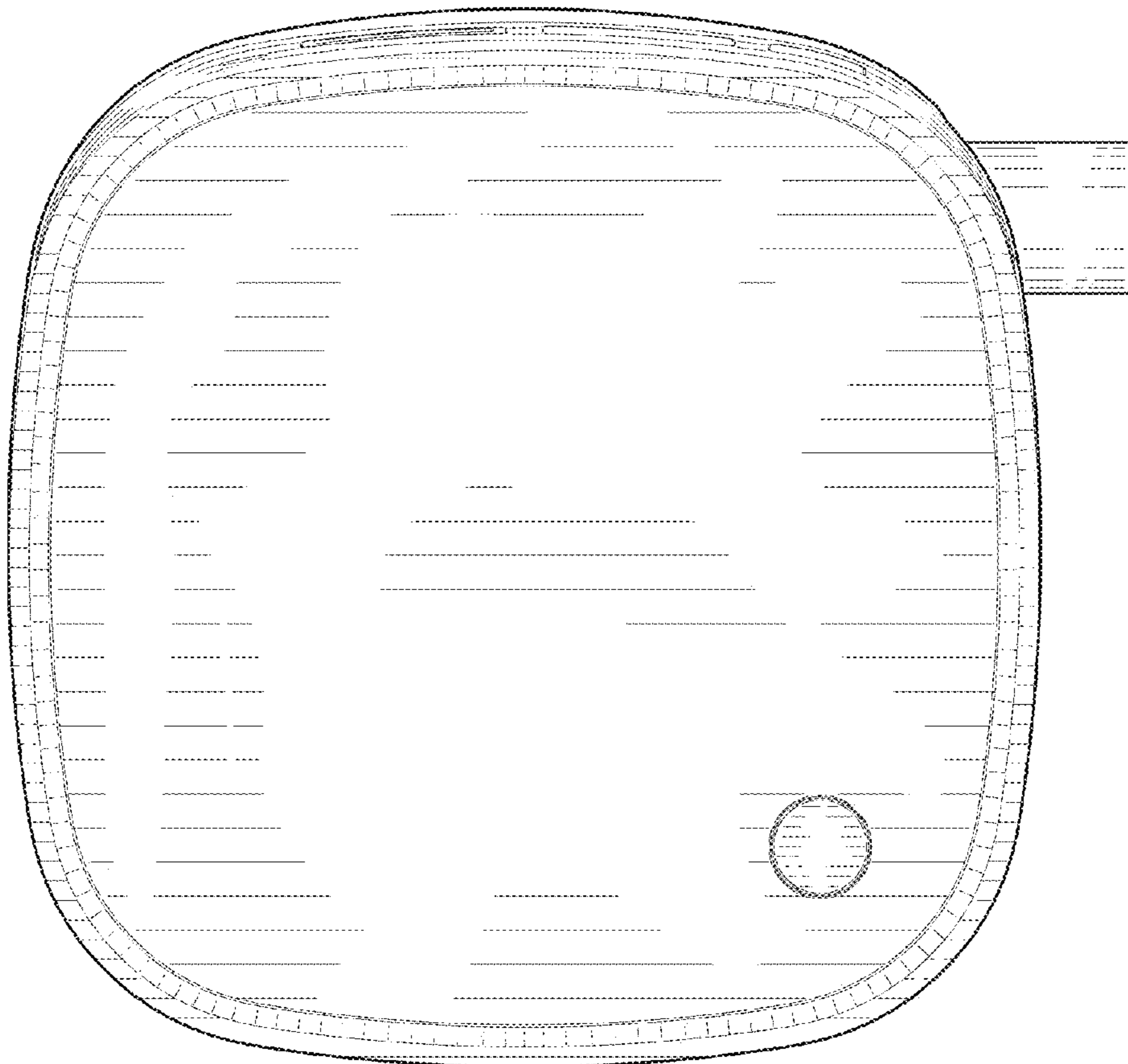


FIG. 6

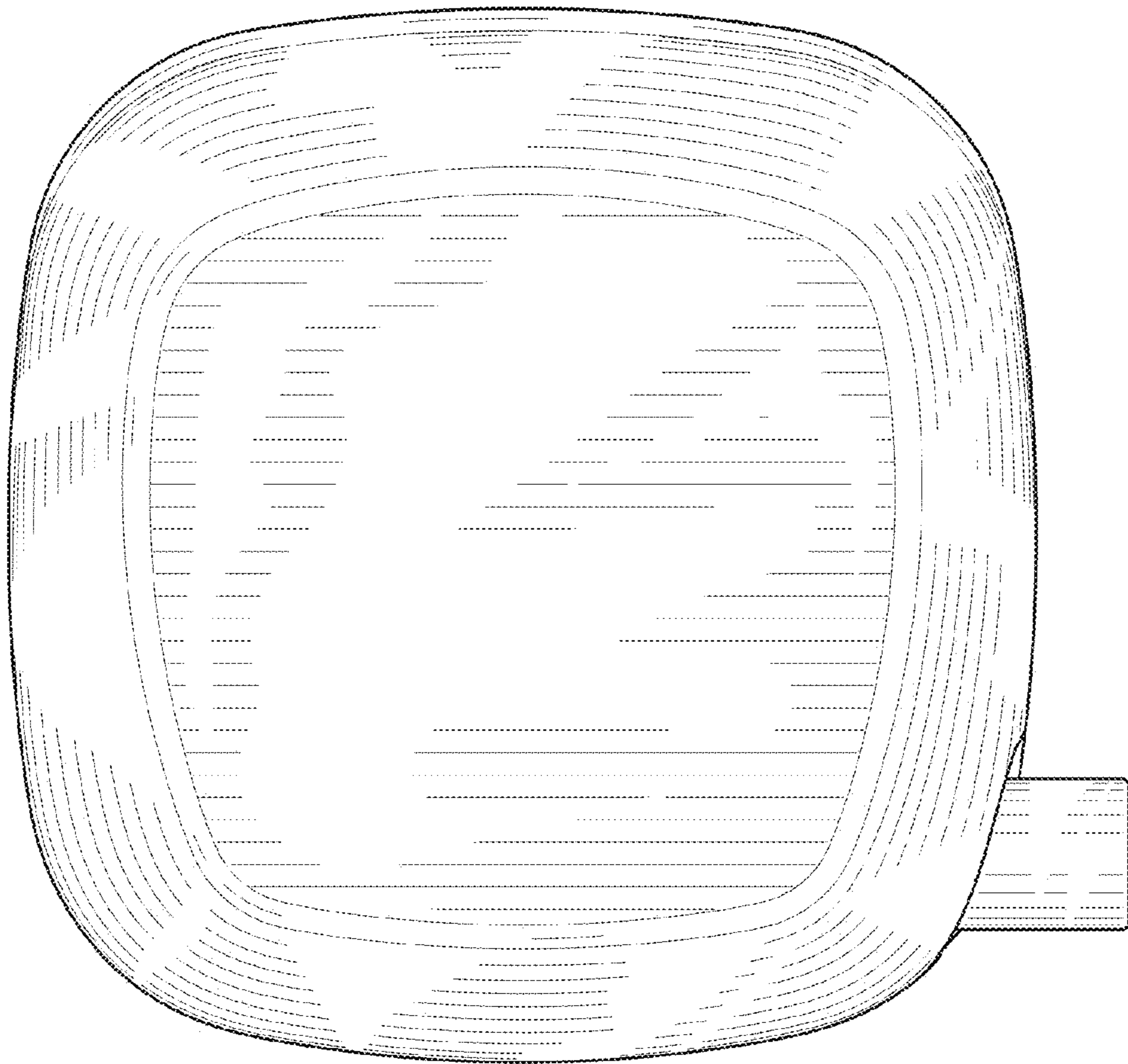


FIG. 7