



US00D759802S

(12) **United States Design Patent**
Hamer et al.

(10) **Patent No.:** **US D759,802 S**

(45) **Date of Patent:** **** *Jun. 21, 2016**

(54) **EARPLUG TIP**

(71) Applicant: **3M INNOVATIVE PROPERTIES COMPANY**, St. Paul, MN (US)

(72) Inventors: **Jeffrey L. Hamer**, Springville, IN (US);
Kenneth F. Teeters, Zionsville, IN (US);
Ravi Thomas, Avon, IN (US)

(73) Assignee: **3M Innovative Properties Company**,
St. Paul, MN (US)

(*) Notice: This patent is subject to a terminal disclaimer.

(**) Term: **14 Years**

(21) Appl. No.: **29/491,294**

(22) Filed: **May 20, 2014**

(51) **LOC (10) Cl.** **24-04**

(52) **U.S. Cl.**
USPC **D24/106**

(58) **Field of Classification Search**
USPC D24/106, 173, 174; D14/205, 206, 223;
D29/112
CPC A61F 11/08; A61F 2011/085
See application file for complete search history.

(56) **References Cited**

U.S. PATENT DOCUMENTS

- 3,342,181 A * 9/1967 Jacquignon 604/288
- 4,055,233 A * 10/1977 Huntress 181/135
- D307,325 S 4/1990 Gardner, Jr.
- D307,635 S 5/1990 Gardner, Jr.
- D307,636 S 5/1990 Gardner, Jr.
- D330,761 S 11/1992 Falco
- D371,193 S 6/1996 Myers
- 5,609,164 A * 3/1997 Dyrud et al. 128/864
- D402,752 S 12/1998 Falco
- D449,592 S * 10/2001 Koss et al. D14/223
- D466,995 S 12/2002 Knauer

- D471,625 S 3/2003 Falco
- D478,658 S 8/2003 Falco
- D481,118 S 10/2003 Doty
- D492,765 S 7/2004 Falco
- D492,766 S 7/2004 Falco
- D493,219 S 7/2004 Falco
- D524,937 S 7/2006 Doty
- D524,938 S 7/2006 Schreiber
- D528,204 S 9/2006 Doty
- D536,089 S 1/2007 Magidson
- 7,264,081 B2 9/2007 Bruck
- 7,314,047 B2 1/2008 Falco
- D583,927 S * 12/2008 Benner D24/106

(Continued)

FOREIGN PATENT DOCUMENTS

- AU 350866 9/2013
- CN 301446540 1/2011

(Continued)

Primary Examiner — Richelle G Shelton

(57) **CLAIM**

The ornamental design for an earplug tip, as shown and described.

DESCRIPTION

FIG. 1 is a perspective view showing the new design for an earplug tip.

FIG. 2 is a front view thereof, the rear view, left view and right view being identical thereto;

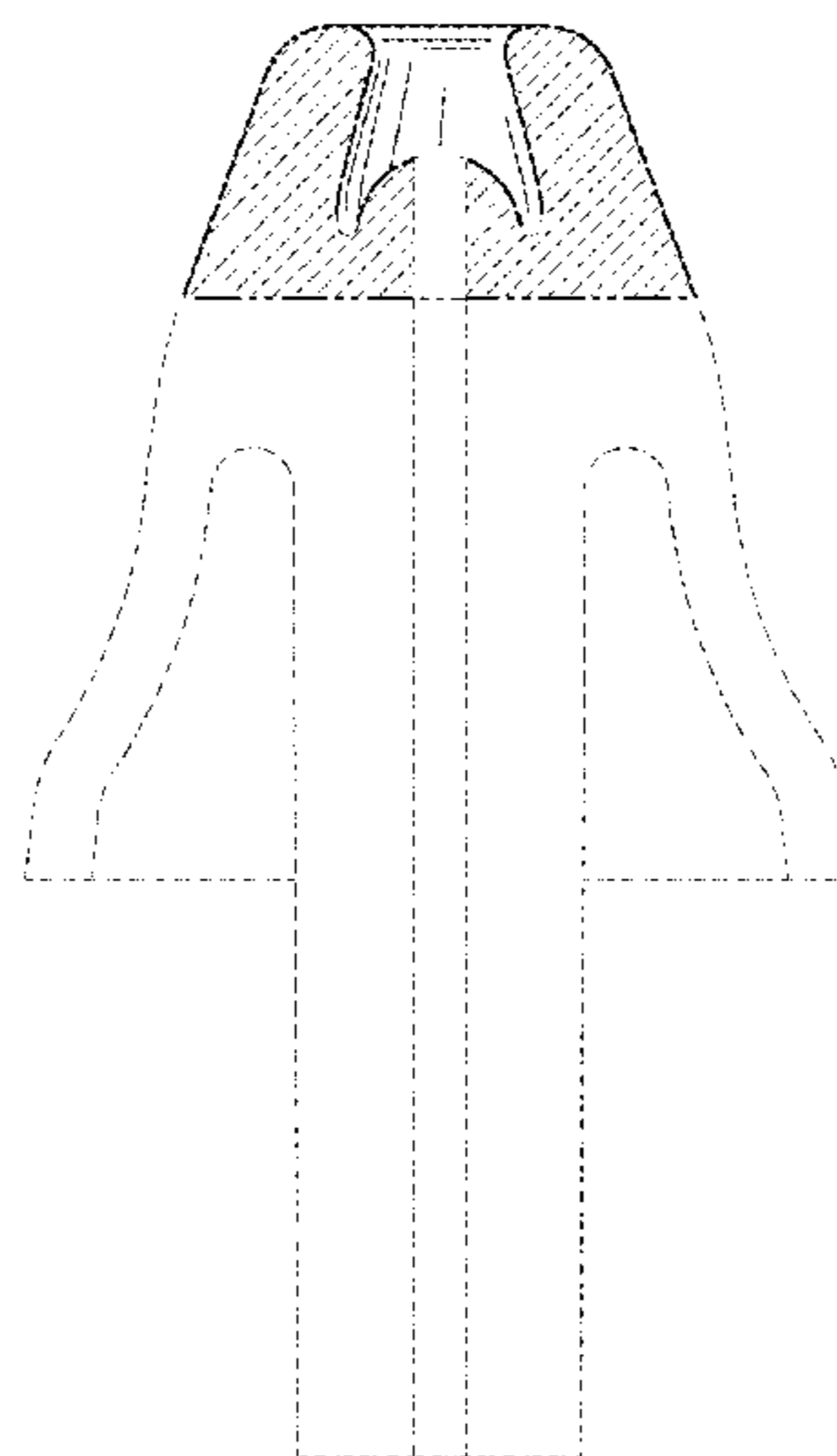
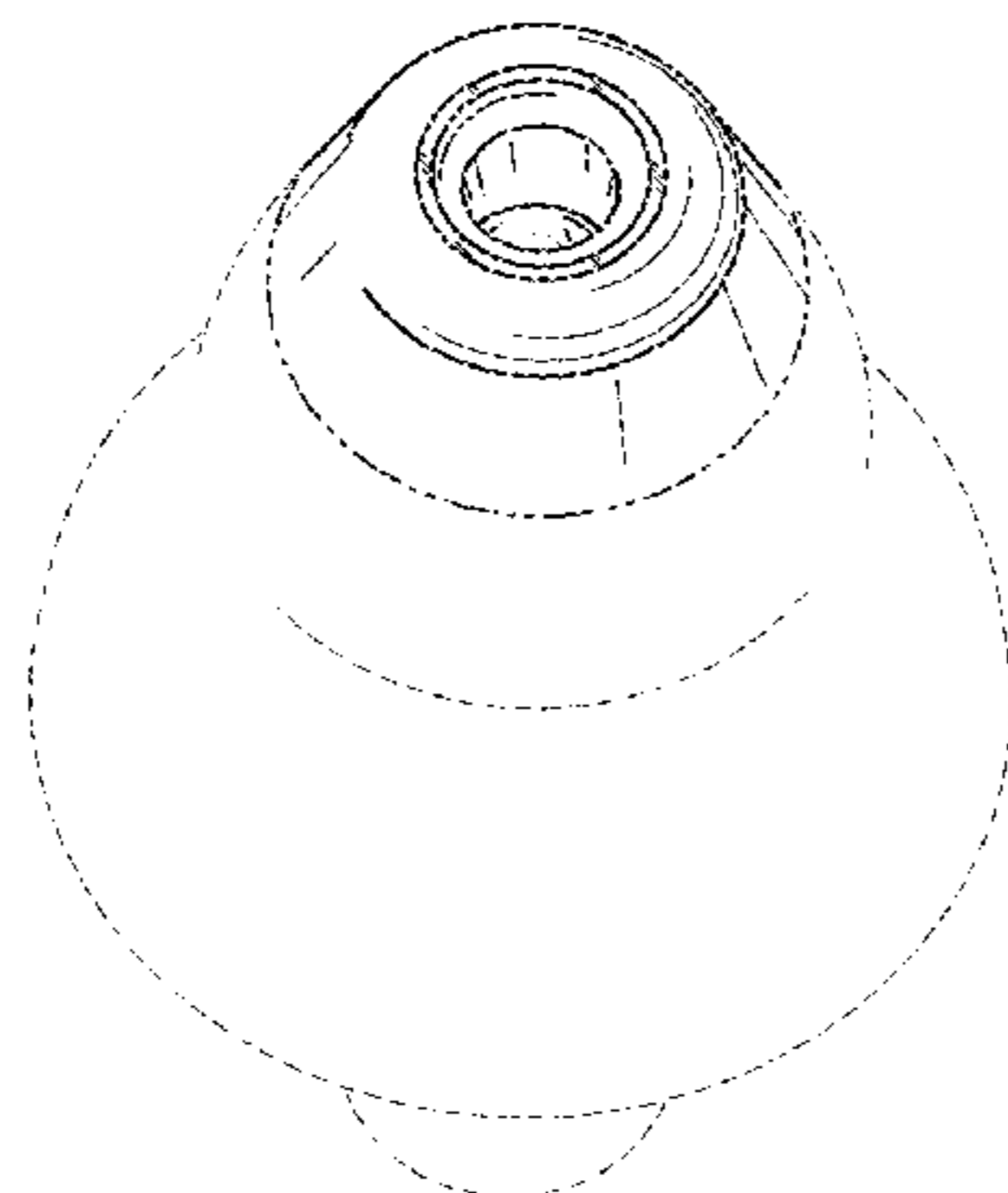
FIG. 3 is a top view thereof;

FIG. 4 is a bottom view thereof; and,

FIG. 5 is a cross-sectional view taken at line 5-5 of FIG. 3.

The long and short dashed broken line shown represents the bounds of the claimed design while all other broken lines are included for the purpose of illustrating environmental structure. The broken lines and the unshaded surfaces within form no part of the claimed design. Any shading is provided to illustrate contour only and is not an indication of surface texture.

1 Claim, 2 Drawing Sheets



(56)

References Cited

U.S. PATENT DOCUMENTS

7,464,786	B2	12/2008	Falco	
7,537,011	B2	5/2009	Faloc	
D595,837	S *	7/2009	Benner D24/106
D599,907	S *	9/2009	Mulvey et al. D24/174
D606,648	S	12/2009	Benner	
D636,484	S	4/2011	Tiemens	
8,061,472	B2	11/2011	Tiemens	
D651,302	S	12/2011	Falco	
D654,163	S	2/2012	Tiemens	
8,113,207	B2	2/2012	Gehling	
D698,023	S *	1/2014	Iseberg et al. D24/174
2010/0307514	A1	12/2010	Berg	
2014/0230830	A1 *	8/2014	Hamer et al. 128/867

FOREIGN PATENT DOCUMENTS

EM 000117510-0002 3/2003

EM	000068796-0001	11/2003
EM	000252424-0001	2/2005
EM	000252424-0002	2/2005
EM	000252424-0003	2/2005
EM	000568217-0001	9/2006
EM	001097497-0002	3/2009
EM	001097497-0003	3/2009
EM	001097505-0002	4/2009
EM	001211056-0001	7/2010
EM	001211056-0002	7/2010
EM	001211056-0003	7/2010
EM	002291005-0001	11/2013
GB	1050275	11/1988
GB	2043262	3/1995
GB	2045159	3/1995
GB	4014253	2/2010
JP	1405724	12/2010

* cited by examiner

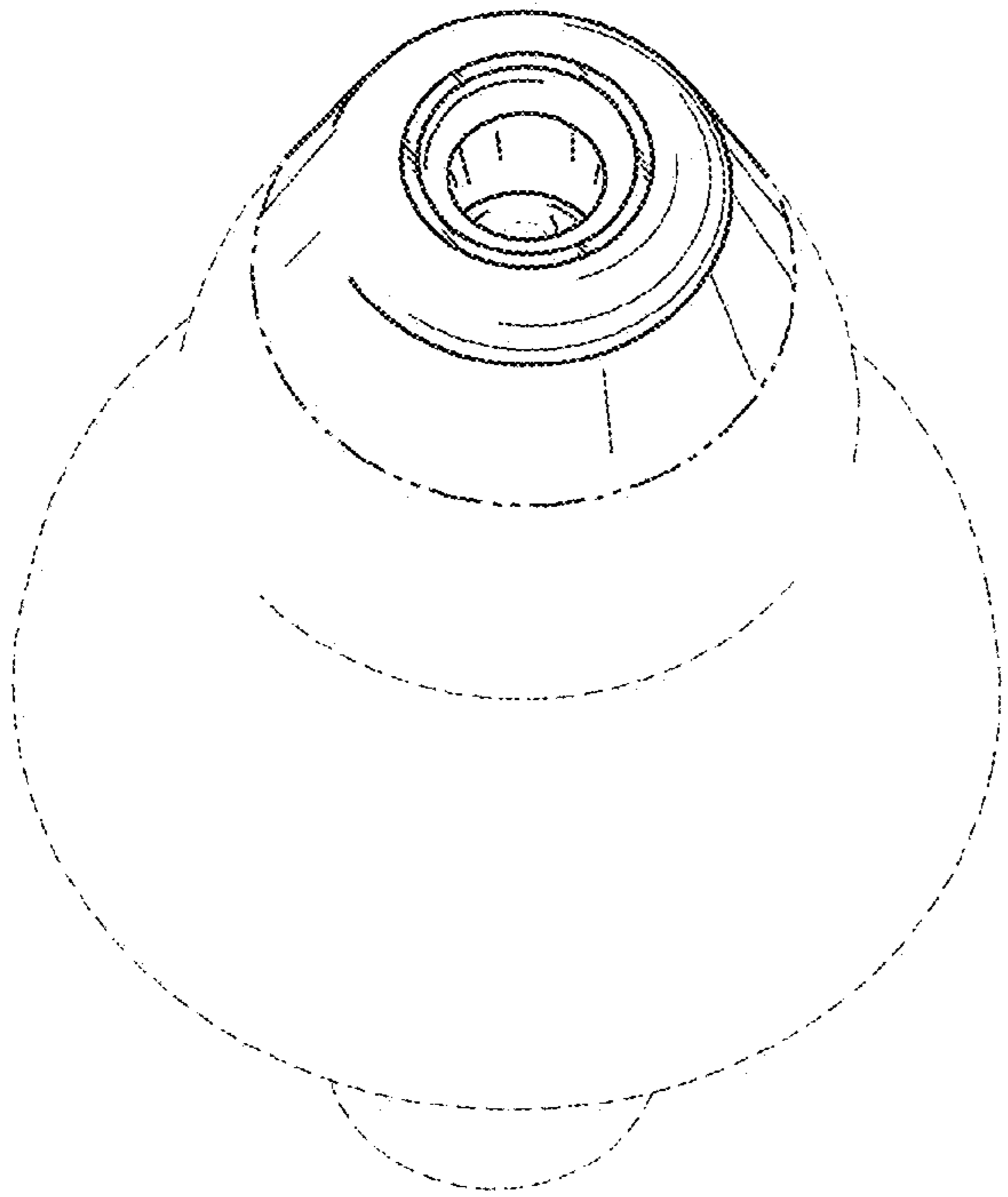


FIG. 1

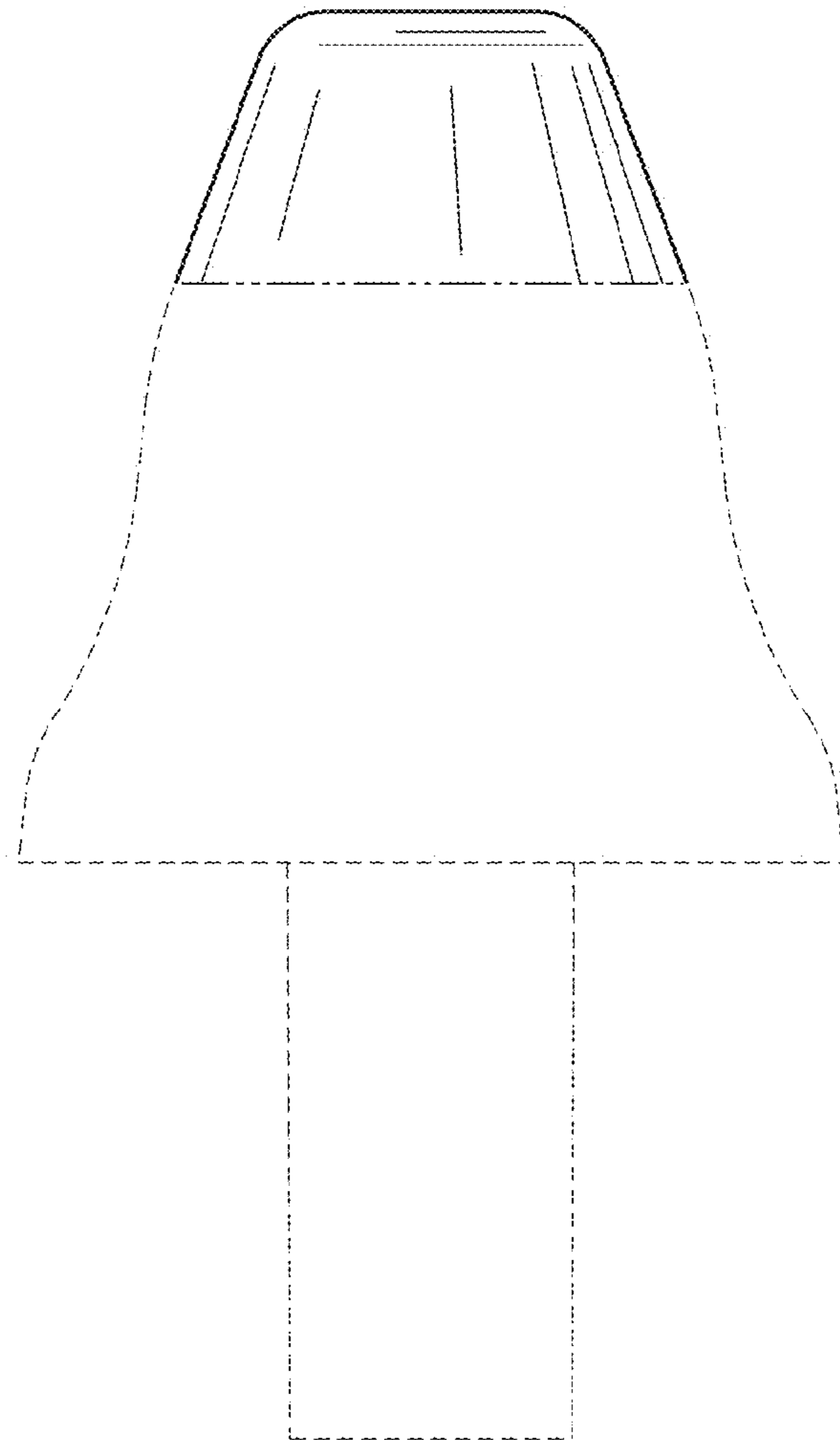


FIG. 2

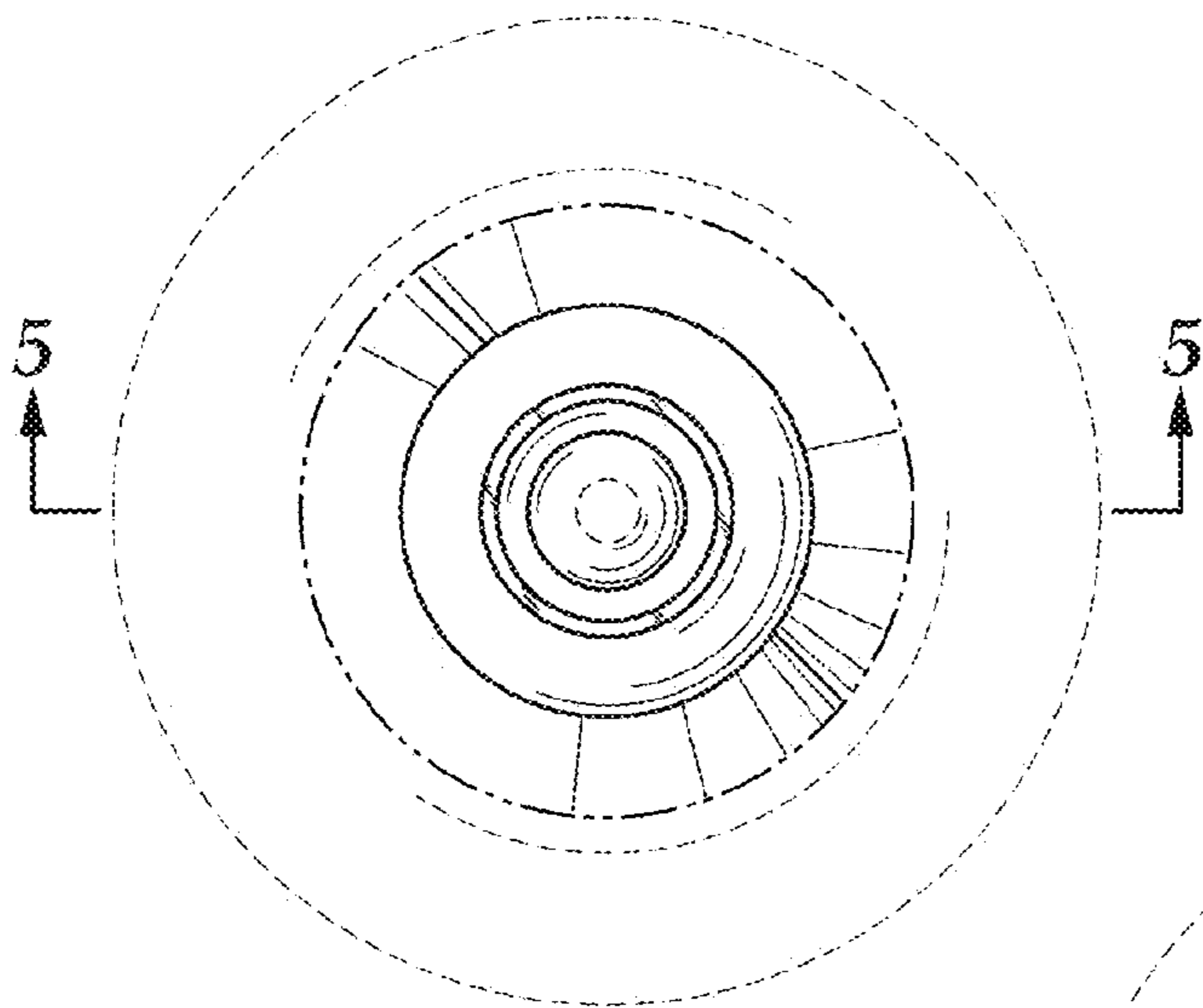


FIG. 3

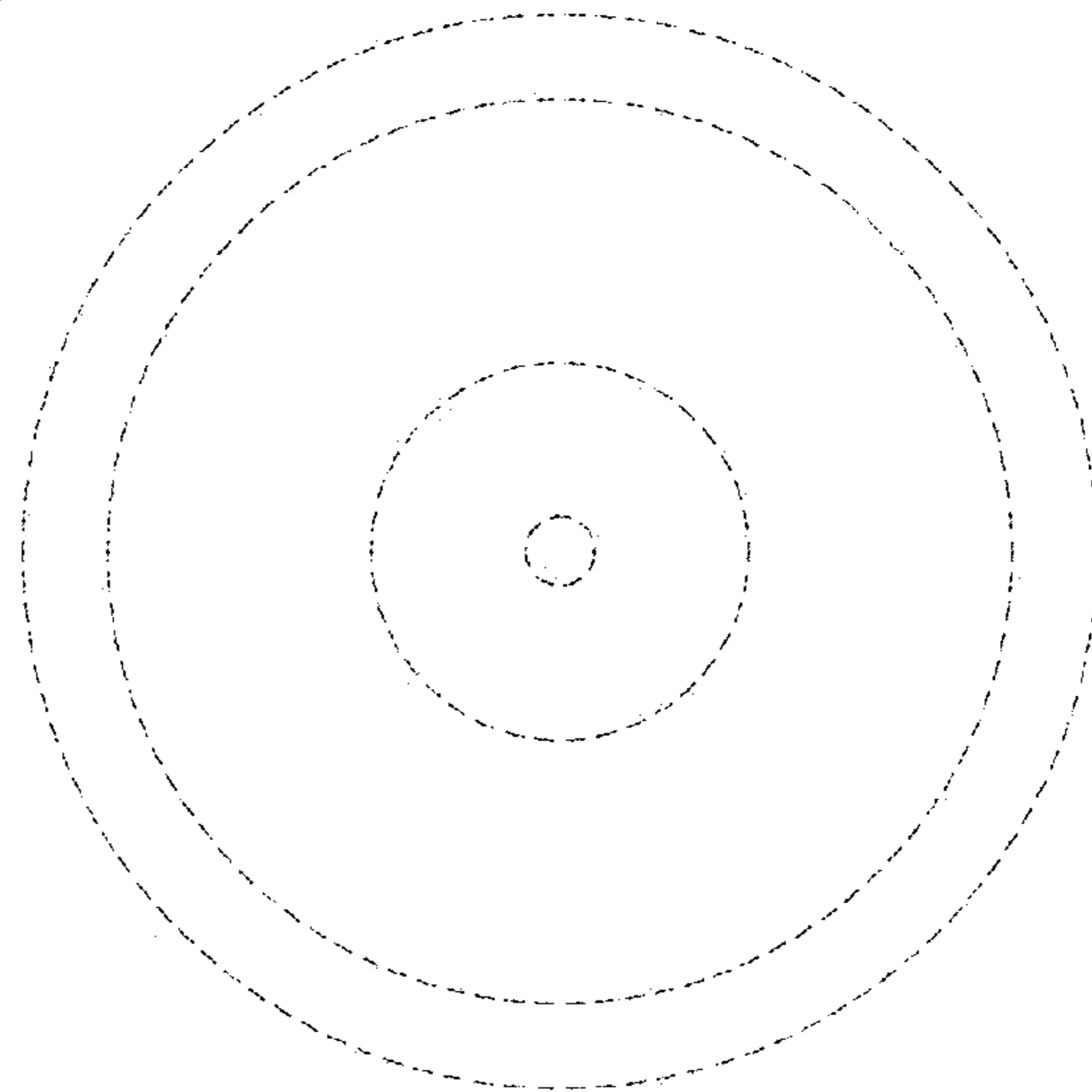


FIG. 4

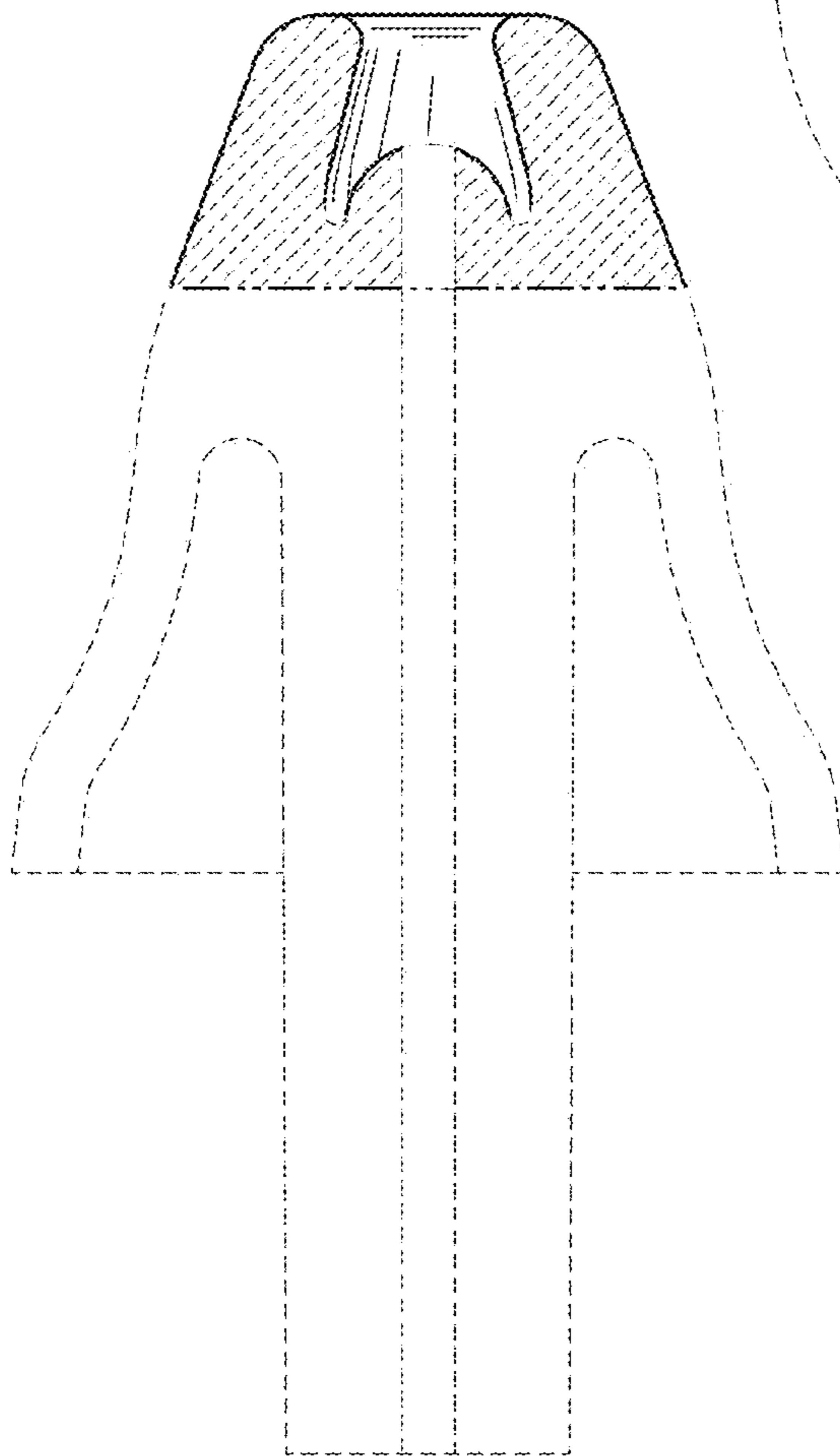


FIG. 5

UNITED STATES PATENT AND TRADEMARK OFFICE
CERTIFICATE OF CORRECTION

PATENT NO. : D759,802 S
APPLICATION NO. : 29/491294
DATED : June 21, 2016
INVENTOR(S) : Hamer

Page 1 of 1

It is certified that error appears in the above-identified patent and that said Letters Patent is hereby corrected as shown below:

On the Title Page

Column 2 (Description)

Line 2, delete "tip." and insert -- tip; --, therefor.

Signed and Sealed this
Third Day of October, 2017



Joseph Matal
*Performing the Functions and Duties of the
Under Secretary of Commerce for Intellectual Property and
Director of the United States Patent and Trademark Office*