



US00D759799S

(12) **United States Design Patent**
Wang

(10) **Patent No.:** **US D759,799 S**
(45) **Date of Patent:** **** Jun. 21, 2016**

(54) **CEILING FAN MOTOR HOUSING AND LIGHT KIT**

(71) Applicant: **YOUNGO LIMITED**, Central (HK)

(72) Inventor: **Cliff Wang**, Taichung (TW)

(73) Assignee: **YOUNGO LIMITED**, Central (HK)

(**) Term: **14 Years**

(21) Appl. No.: **29/524,035**

(22) Filed: **Apr. 15, 2015**

(51) **LOC (10) Cl.** **23-04**

(52) **U.S. Cl.**
USPC **D23/385**

(58) **Field of Classification Search**
USPC D14/356; D10/93, 104.1, 108, 114;
D8/4, 25, 52; D17/20, 22, 23;
D23/323, 328, 333, 335, 336, 337, 341,
D23/352, 357, 370, 385, 386, 397, 399, 400,
D23/406, 411, 413, 499
CPC H01R 13/5213; B60Q 1/04; B60Q 1/26;
G10D 3/006; G10D 13/023; G10D 13/027;
B25B 15/001; G10H 3/143; G10H 3/181;
G10G 5/005; A42B 1/04; B64C 11/04;
B64C 11/16; B64C 11/18; B64C 11/20;
F03D 3/062; F03D 11/04; F04D 19/002;
F04D 25/068; F04D 25/088; F24F 1/0018
See application file for complete search history.

(56) **References Cited**

U.S. PATENT DOCUMENTS

D268,521 S *	4/1983	Clemente	416/169 A
D329,494 S *	9/1992	Holbrook	D23/377
D345,790 S *	4/1994	Caldwell	D23/377
D355,027 S *	1/1995	Young	D23/377
D357,978 S *	5/1995	Young	D23/377
D372,774 S *	8/1996	Holbrook	D23/377
D392,035 S *	3/1998	Gee, II	D23/377
D396,532 S *	7/1998	Tsuji	D23/385

D397,416 S *	8/1998	Lee	D23/377
D407,155 S *	3/1999	Liu	D23/377
5,951,253 A *	9/1999	Gajewski	F04D 25/088 416/205
6,019,577 A *	2/2000	Dye	F04D 25/088 362/147
6,042,339 A *	3/2000	Blateri	F04D 25/088 416/207
D425,610 S *	5/2000	Gee, II	D23/377
6,120,247 A *	9/2000	Wheeler	F04D 25/088 416/1

(Continued)

OTHER PUBLICATIONS

Brushless dc motor ceiling fan, image post date Feb. 20, 2013, site visited Apr. 18, 2016, (online), <<https://www.tineye.com/search/51c129390eeaf7d6591ee8c9dc151f86717d4e93/>>.*

(Continued)

Primary Examiner — Kevin Rudzinski
Assistant Examiner — Sean D Lough
(74) *Attorney, Agent, or Firm* — Bruce Stone LLP; Joseph A. Bruce

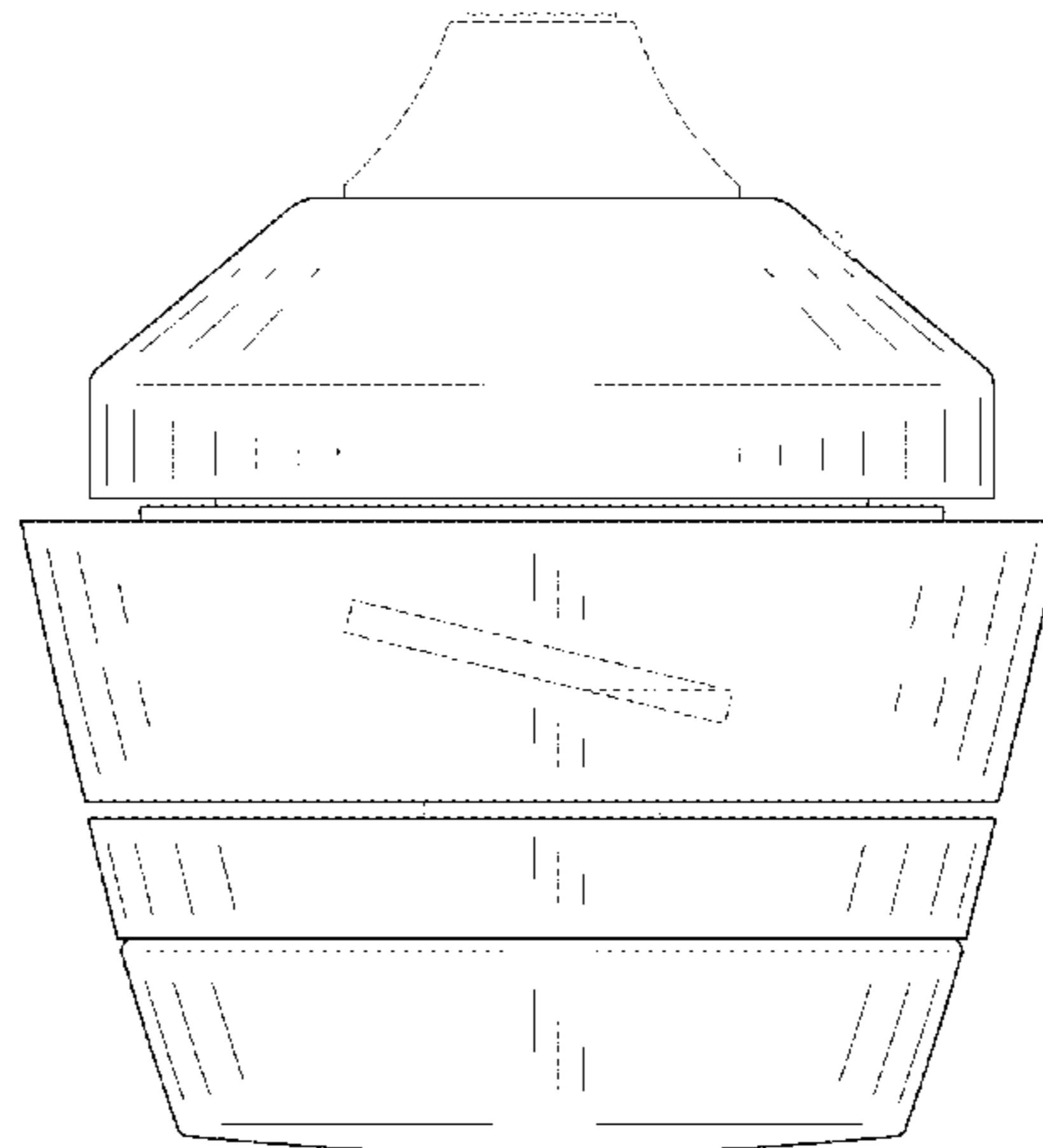
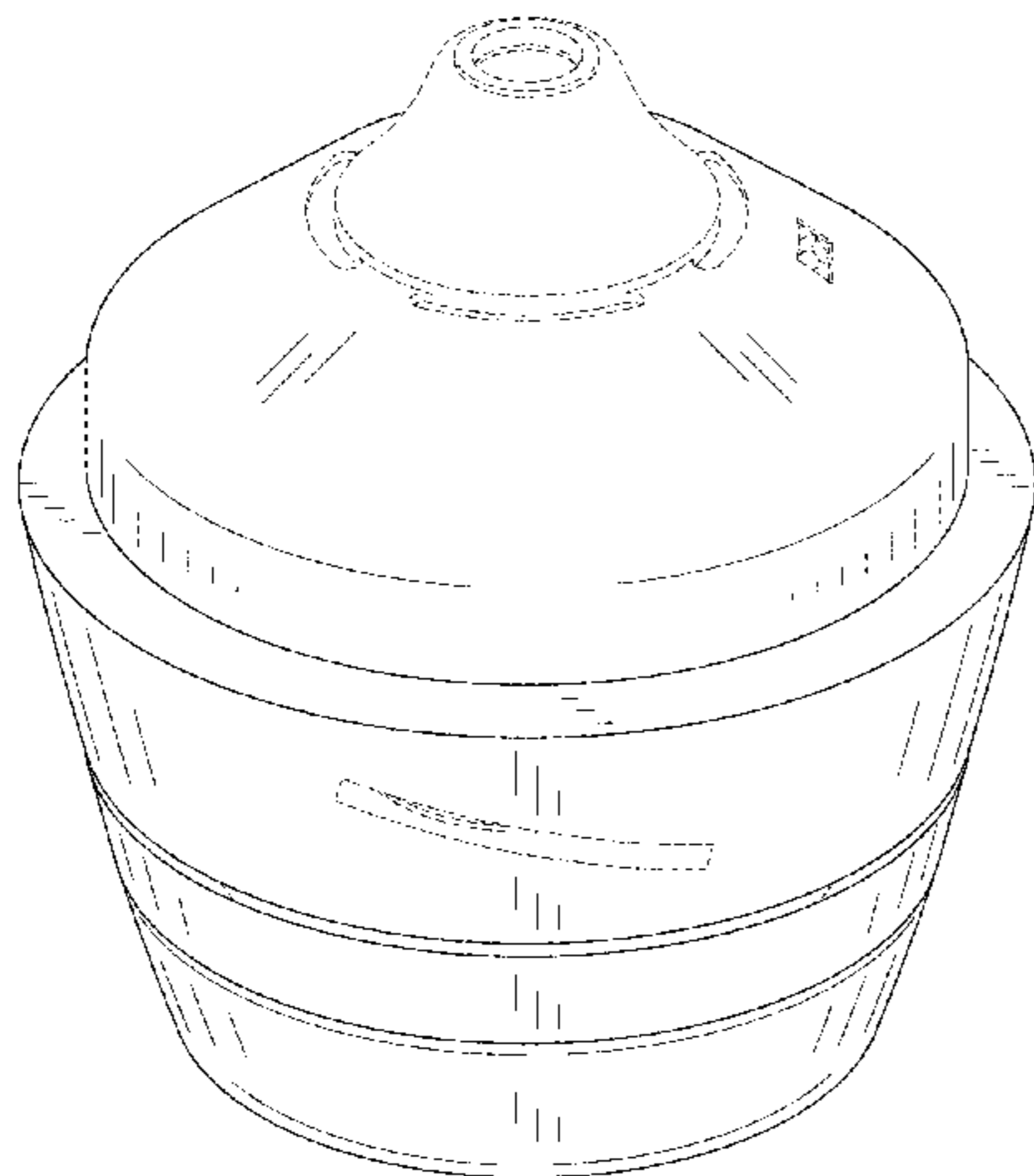
(57) **CLAIM**

The ornamental design for a ceiling fan motor housing and light kit, as shown and described.

DESCRIPTION

FIG. 1 is a perspective view of the present design; FIG. 2 is a front view of the present design; FIG. 3 is a rear view of the present design; FIG. 4 is a left side view of the present design; FIG. 5 is a right side view of the present design; FIG. 6 is a top view of the present design; FIG. 7 is a bottom view of the present design; and, FIG. 8 is another perspective view of the present design. The broken lines in all FIG. views illustrate structural portions of the ceiling fan motor housing and light kit that form no part of the claimed design.

1 Claim, 8 Drawing Sheets



(56)

References Cited

U.S. PATENT DOCUMENTS

D454,633 S * 3/2002 Young D23/411
 6,354,801 B1 * 3/2002 Gajewski F04D 25/088
 415/121.2
 D482,436 S * 11/2003 Young D23/377
 D483,853 S * 12/2003 Stauffer D23/411
 6,676,375 B2 * 1/2004 Steeves LeBlanc F21V 33/0096
 362/406
 D489,445 S * 5/2004 Burns D23/411
 D503,993 S * 4/2005 Yurich D26/85
 6,884,034 B1 * 4/2005 Parker F04D 25/088
 416/1
 D516,201 S * 2/2006 Badarello D23/411
 D525,699 S * 7/2006 Davenport D23/377
 7,080,813 B1 * 7/2006 Frampton F04D 25/088
 248/342
 D532,510 S * 11/2006 Pickett D23/411
 D553,731 S * 10/2007 Bucher D23/411
 D556,938 S * 12/2007 Russello D26/89
 D576,265 S * 9/2008 Bucher D23/377
 D583,493 S * 12/2008 Bucher D26/59
 D627,871 S * 11/2010 Shurtleff D23/411
 D671,631 S * 11/2012 Searle D23/411
 D675,721 S * 2/2013 Frank D23/384
 D678,499 S * 3/2013 Pan D23/411
 D698,991 S * 2/2014 Tregilgas D26/136
 D702,337 S * 4/2014 Wang D23/385
 D704,819 S * 5/2014 Wang D23/411
 D705,970 S * 5/2014 Ertze D26/59
 D706,410 S * 6/2014 Pan D23/411
 D706,477 S * 6/2014 Wang D26/59
 D706,918 S * 6/2014 Wang D23/411
 D706,919 S * 6/2014 Wang D23/411
 D707,336 S * 6/2014 Pan D23/377
 D707,344 S * 6/2014 Wang D23/411
 D709,996 S * 7/2014 Yu D23/262
 D710,488 S * 8/2014 Alima D23/363
 D715,918 S * 10/2014 Pan D23/411
 D716,438 S * 10/2014 Liu D23/377
 D719,244 S * 12/2014 Yang D23/262
 D726,298 S * 4/2015 Busta D23/411
 D728,775 S * 5/2015 Gajewski D23/411
 9,022,731 B2 * 5/2015 Seccareccia F04D 17/16
 415/126
 D734,638 S * 7/2015 Wahl D7/392.1
 D734,861 S * 7/2015 Johnson D24/201

D735,311 S * 7/2015 Horiguchi D23/365
 D743,523 S * 11/2015 Ertze D23/411
 D743,525 S * 11/2015 Wang D23/411
 D744,082 S * 11/2015 Wang D23/411
 D744,633 S * 12/2015 Wang D23/411
 D744,634 S * 12/2015 Wang D23/411
 D745,655 S * 12/2015 Pickett D23/411
 D745,956 S * 12/2015 Ertze D23/385
 D745,957 S * 12/2015 Pan D23/411
 D747,452 S * 1/2016 Gajewski D23/377
 D748,228 S * 1/2016 Bayyouk D23/269
 D748,769 S * 2/2016 Hanna D23/366
 D749,280 S * 2/2016 Bailey D32/15
 D750,213 S * 2/2016 Schulzman D23/385
 D750,219 S * 2/2016 Gajewski D23/411
 D751,187 S * 3/2016 Dolan D23/377
 D752,722 S * 3/2016 Boettner D23/262
 D752,727 S * 3/2016 Tracey D23/360
 9,285,111 B2 * 3/2016 Todd, Jr. F21V 33/0096
 D753,437 S * 4/2016 Steel D7/396.2
 2004/0151588 A1 * 8/2004 Liang F04D 29/36
 416/142
 2005/0147494 A1 * 7/2005 Hoshino F04D 29/388
 416/62
 2010/0040494 A1 * 2/2010 Yamamoto F04D 29/059
 417/423.7
 2010/0329885 A1 * 12/2010 Criner F04D 29/601
 416/244 R
 2011/0274561 A1 * 11/2011 Kobayashi F04D 27/004
 417/14
 2012/0014796 A1 * 1/2012 Cartwright F04D 25/088
 416/142
 2013/0045103 A1 * 2/2013 Iwamoto F04D 25/088
 416/170 R
 2013/0280077 A1 * 10/2013 Iwamoto F04D 25/088
 416/204 R
 2015/0086375 A1 * 3/2015 Kuramochi F04D 29/34
 416/220 R
 2015/0198175 A1 * 7/2015 Lin F04D 29/34
 416/212 R
 2015/0198180 A1 * 7/2015 Gajewski F04D 25/088
 416/247 R

OTHER PUBLICATIONS

Artemis Transparent Ceiling Fan, image post date Jun. 15, 2006, site visited Apr. 18, 2016, (online), <<http://www.ohgizmo.com/2006/06/15/artemis-transparent-ceiling-fan/>>.*

* cited by examiner

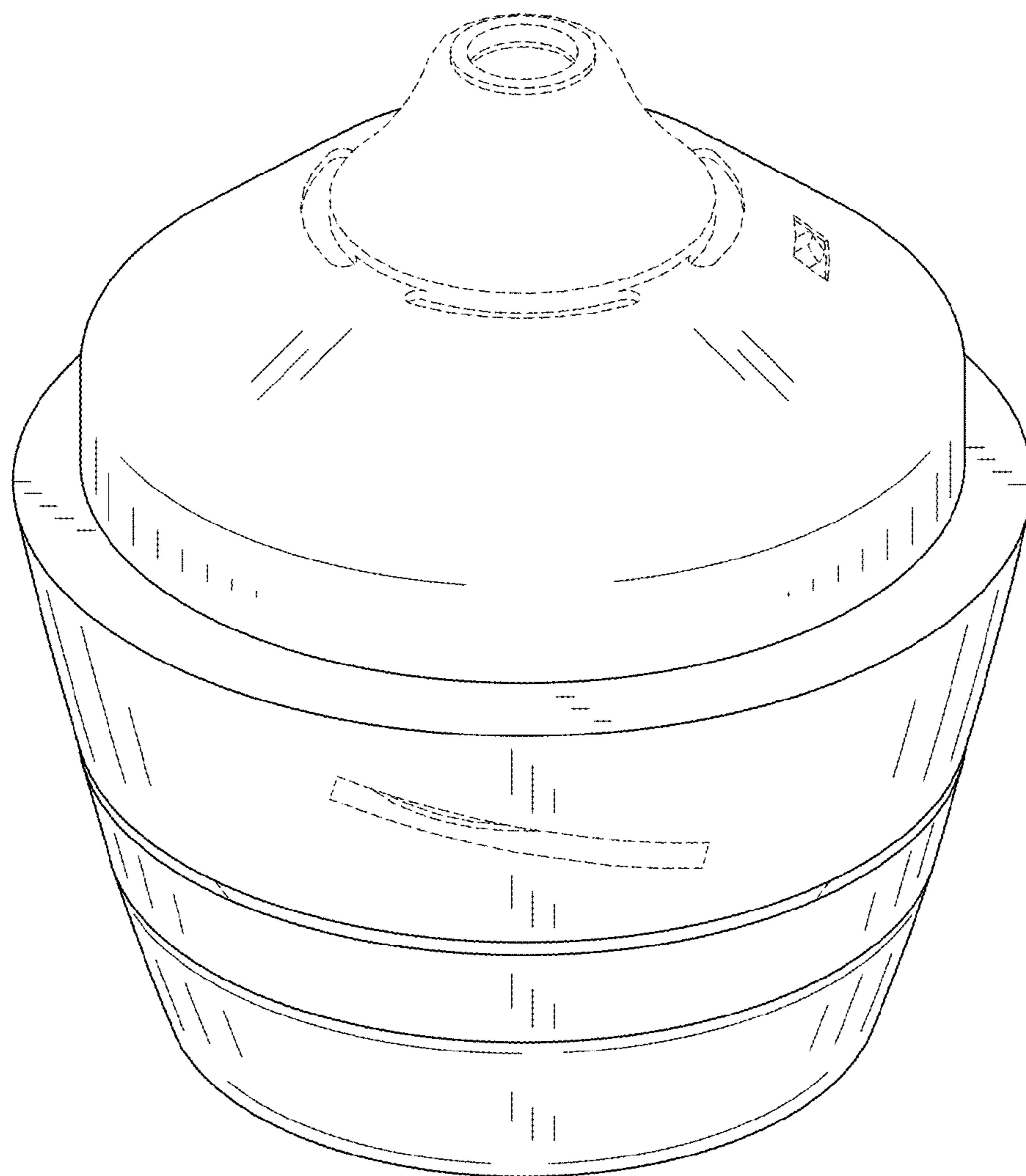


FIG. 1

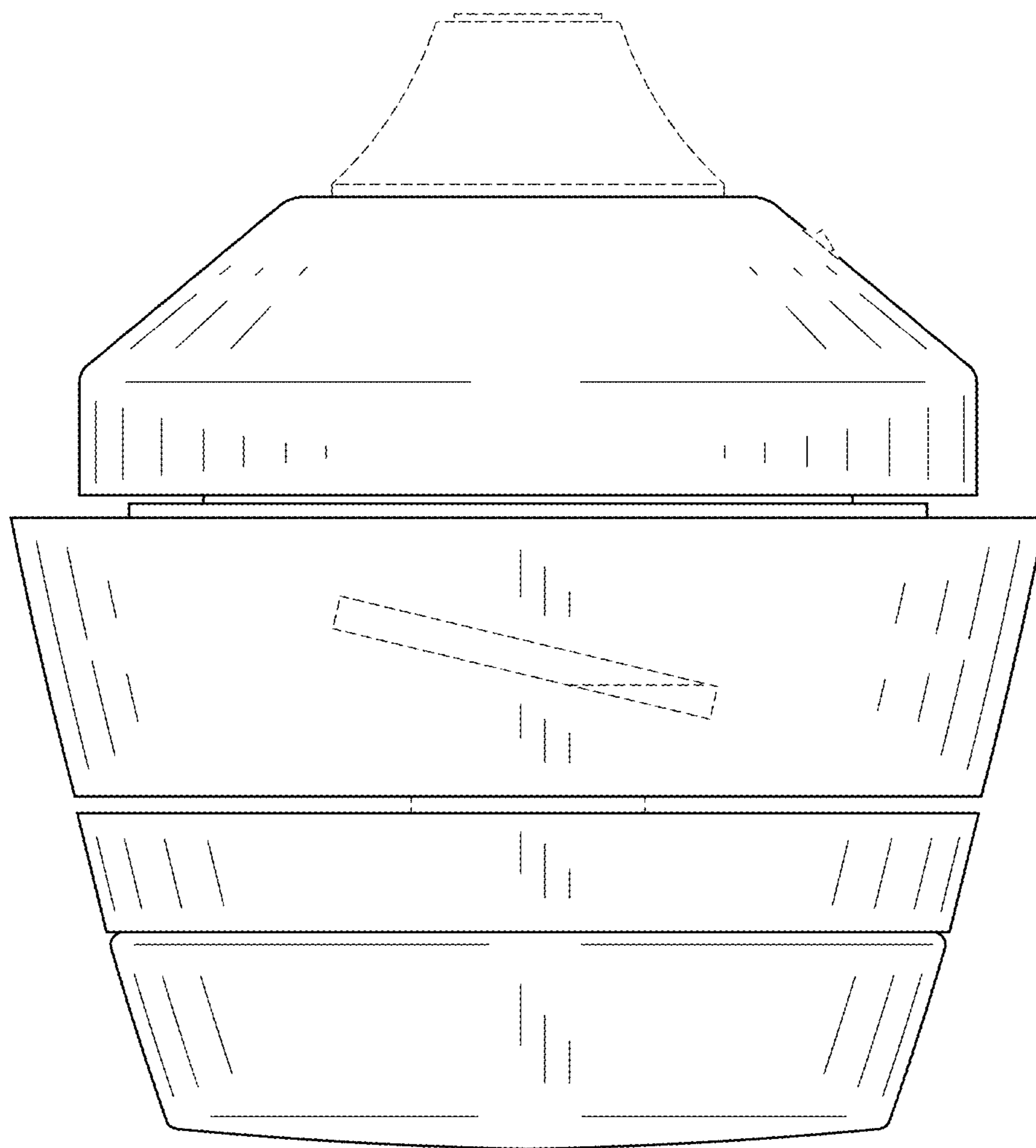


FIG. 2

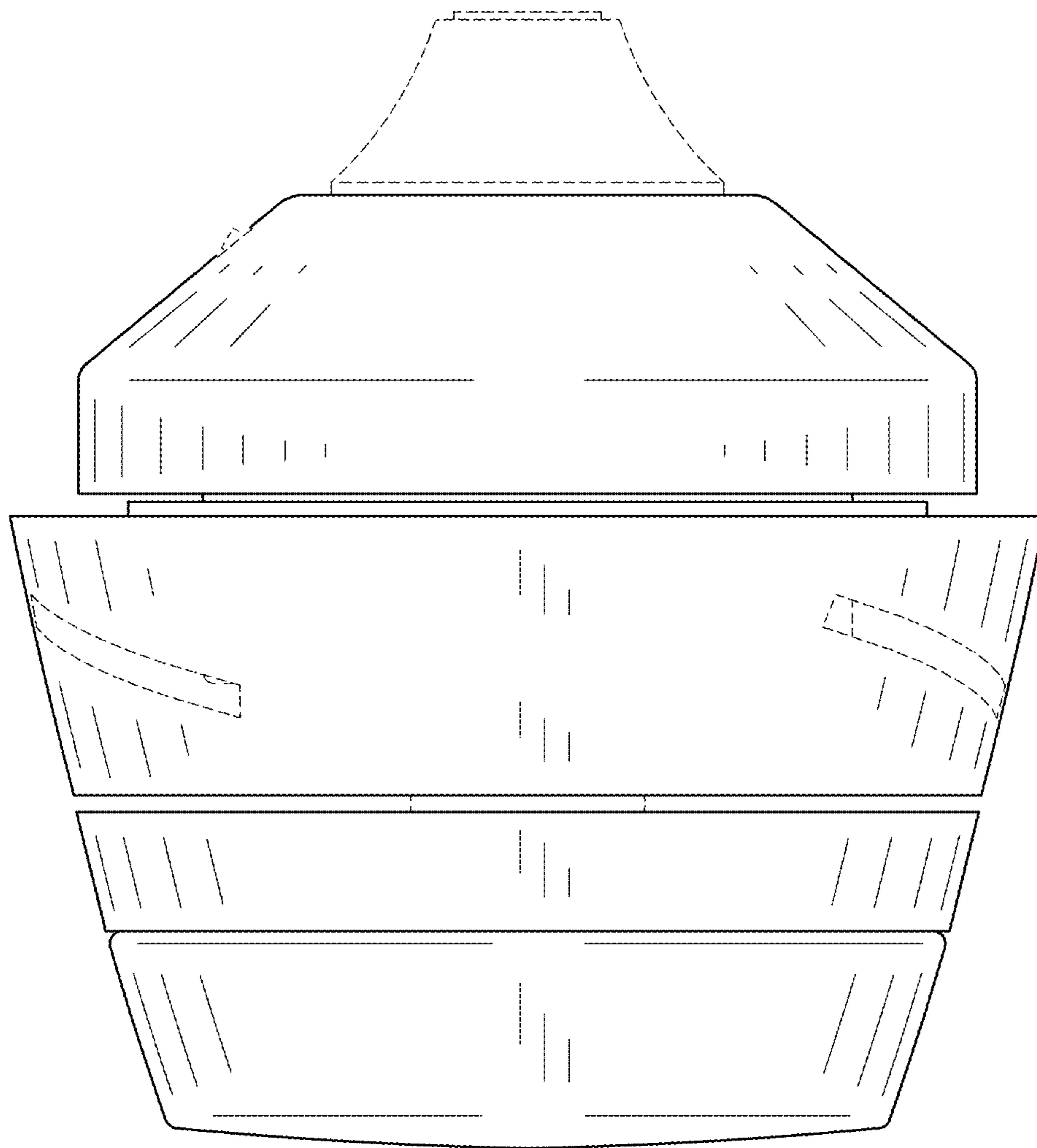


FIG. 3

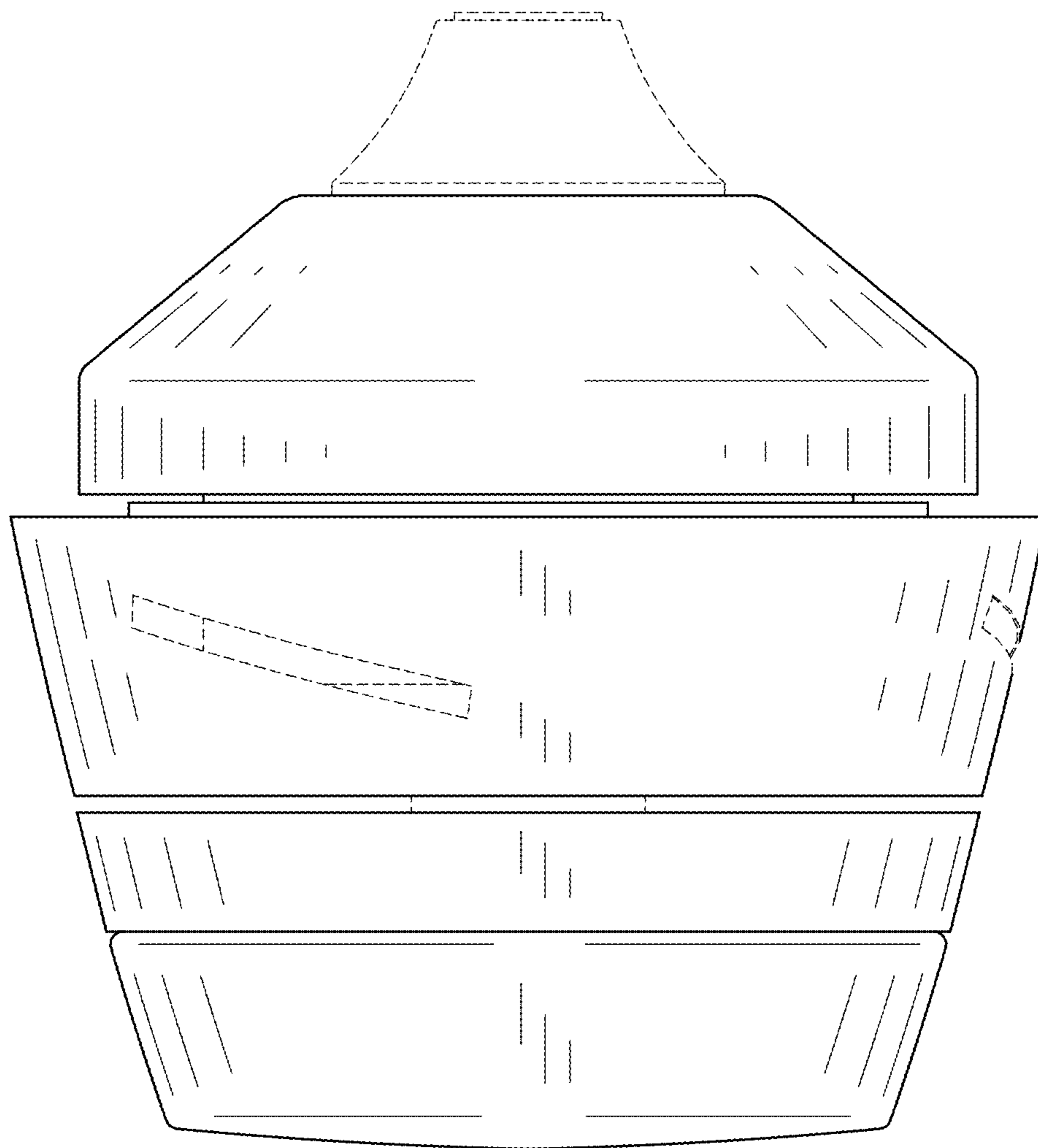


FIG. 4

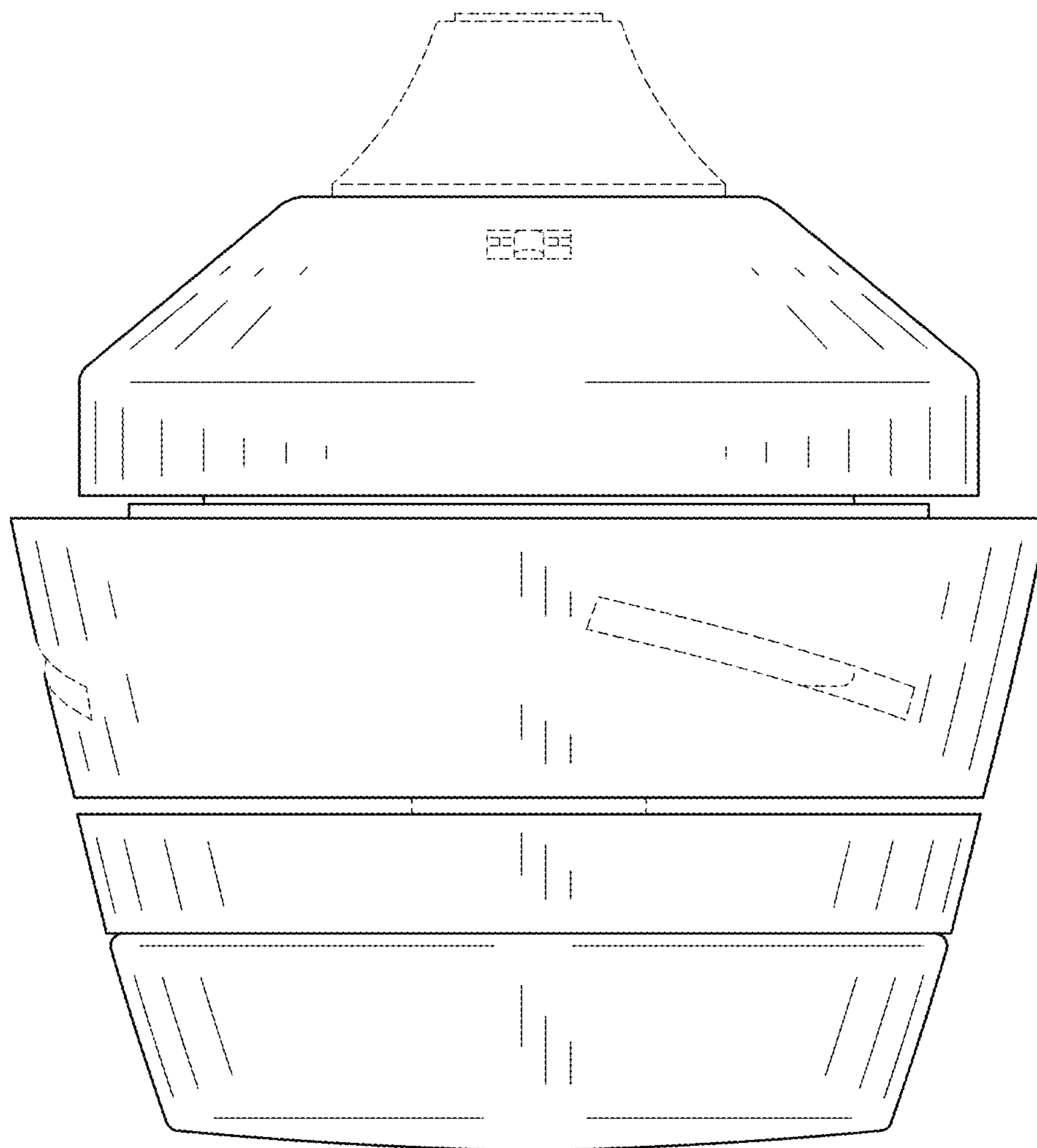


FIG. 5

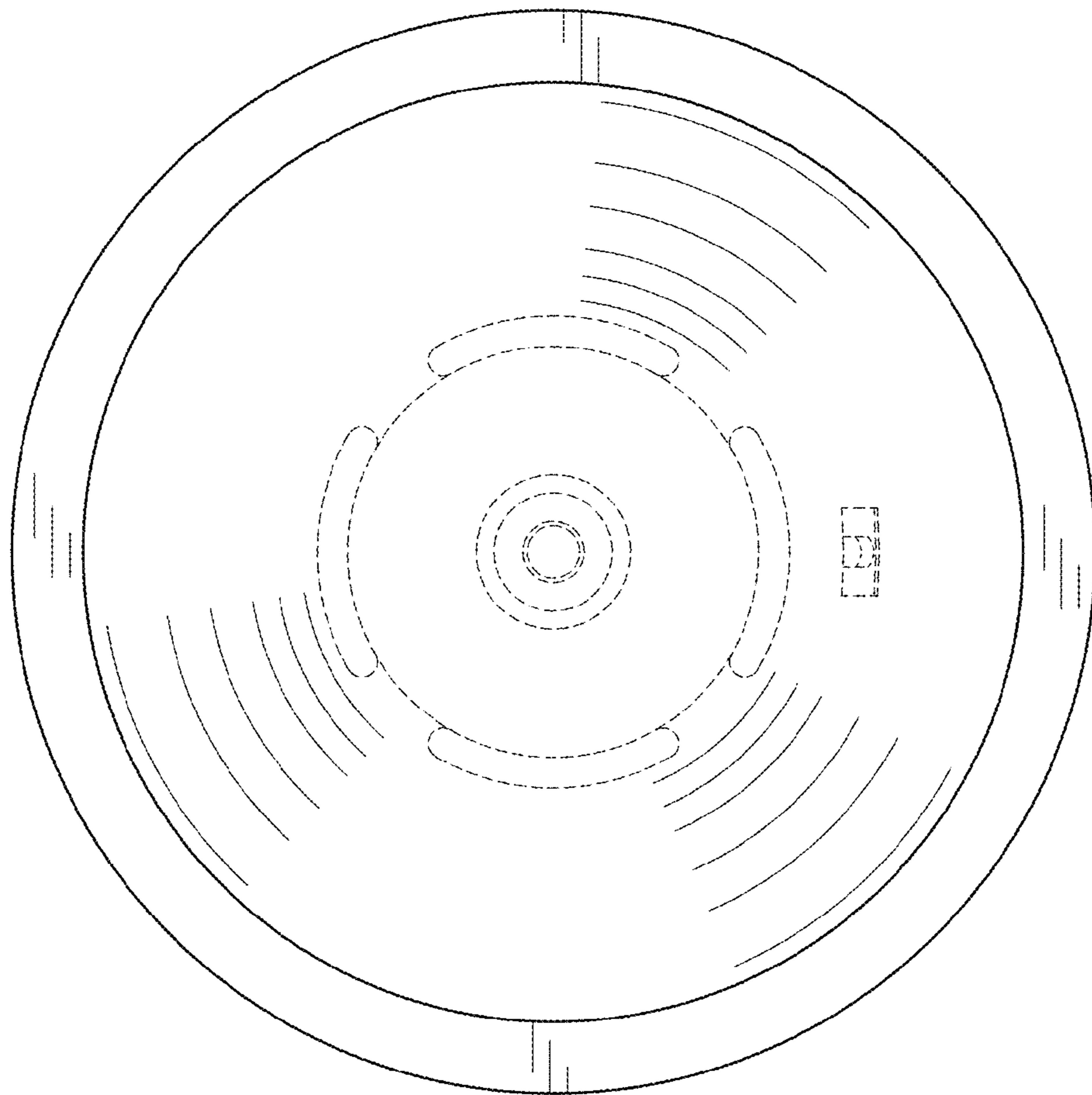


FIG. 6

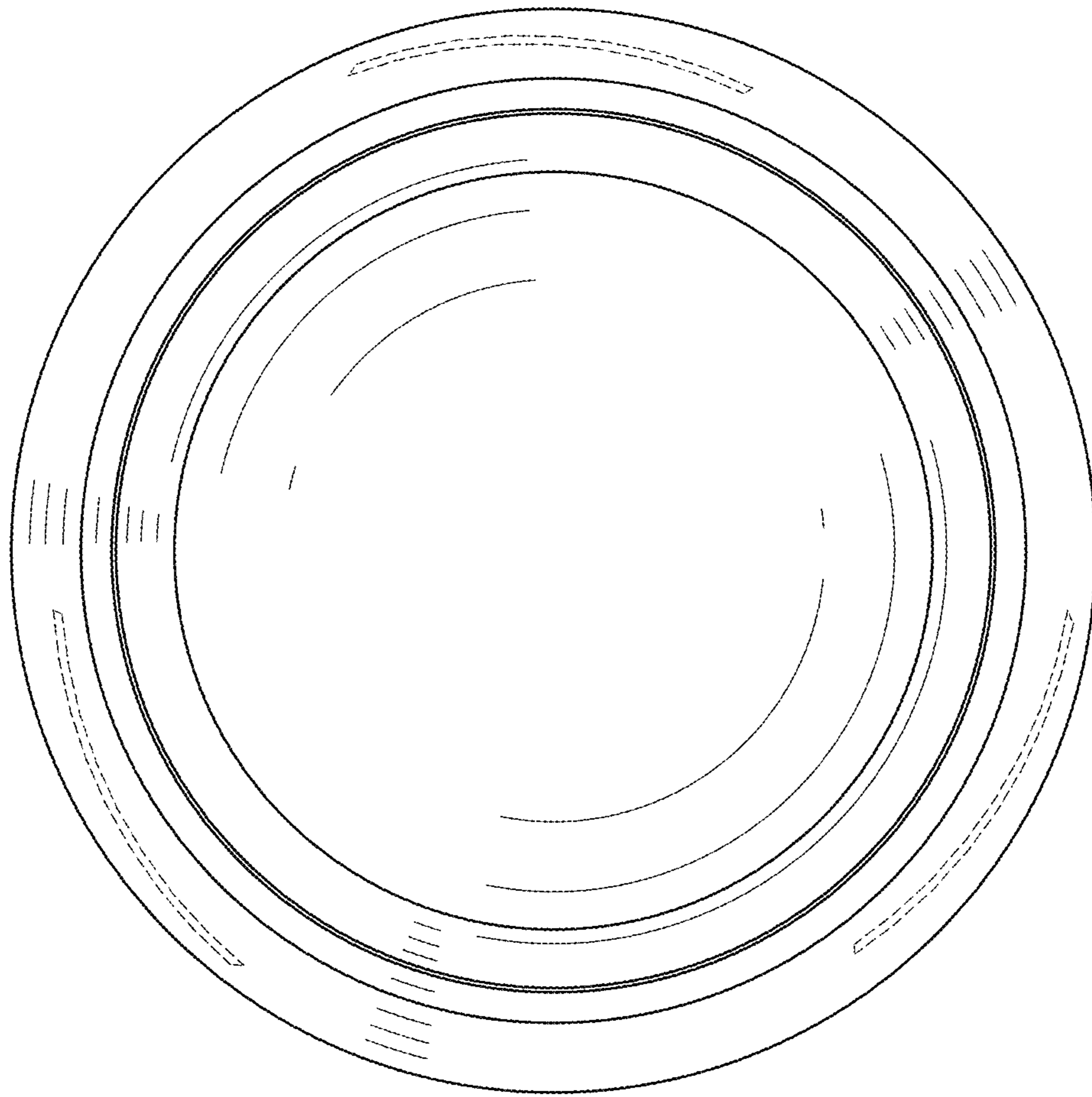


FIG. 7

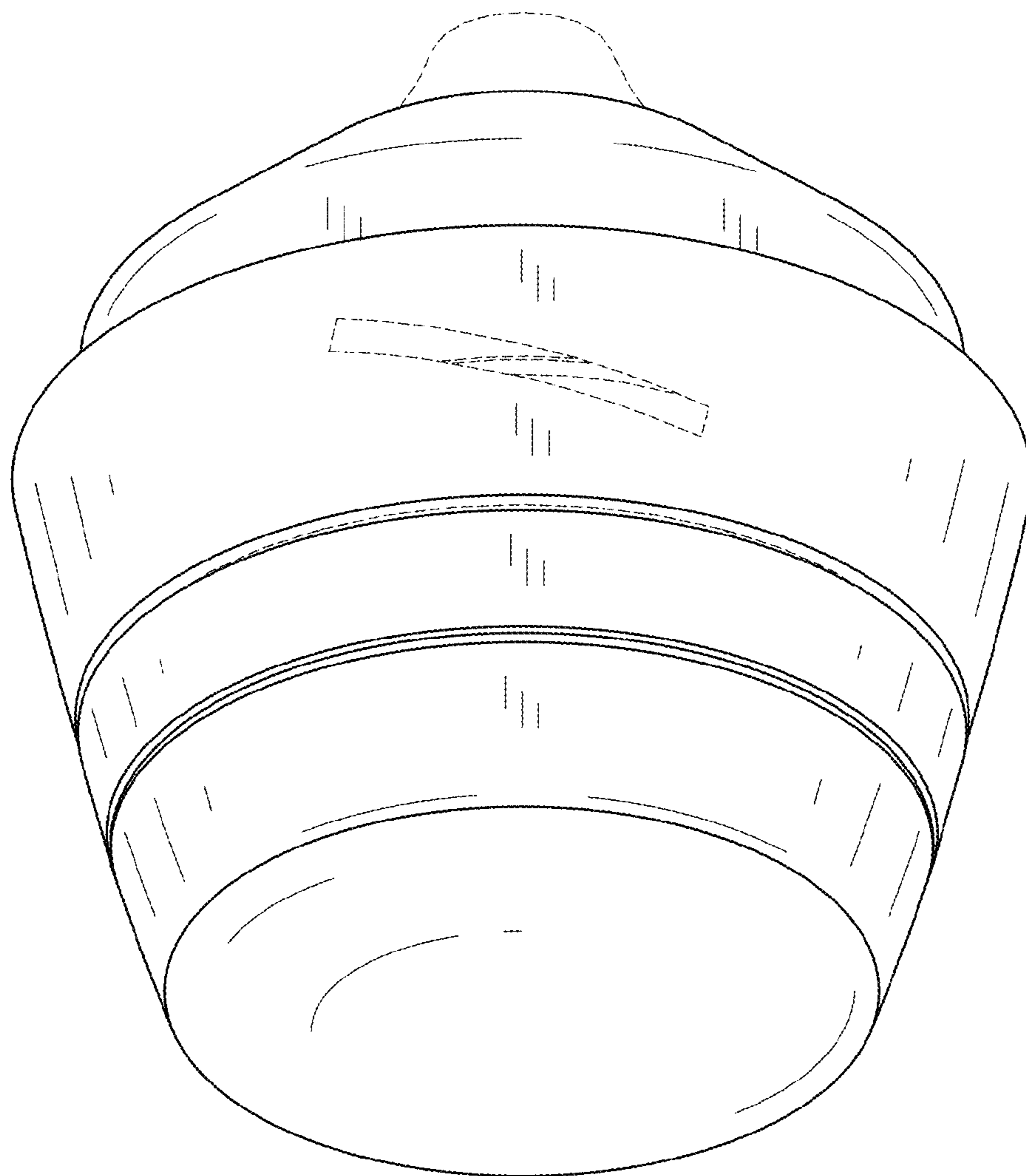


FIG. 8