



US00D759797S

(12) **United States Design Patent**  
**Farone**

(10) **Patent No.:** **US D759,797 S**  
(45) **Date of Patent:** **\*\* Jun. 21, 2016**

(54) **TABLE TOP AIR PURIFIER**

(71) Applicant: **Guardian Technologies LLC**, Mentor,  
OH (US)

(72) Inventor: **Richard C. Farone**, Willoughby, OH  
(US)

(73) Assignee: **Guardian Technologies LLC**, Euclid,  
OH (US)

(\*\*) Term: **15 Years**

(21) Appl. No.: **29/544,293**

(22) Filed: **Nov. 2, 2015**

**Related U.S. Application Data**

(62) Division of application No. 29/464,149, filed on Aug.  
13, 2013, now Pat. No. Des. 745,128.

(51) **LOC (10) Cl.** ..... **23-04**

(52) **U.S. Cl.**  
USPC ..... **D23/355**

(58) **Field of Classification Search**

USPC ..... D23/314, 325, 329, 333, 334, 335, 342,  
D23/355, 356, 358, 359, 364, 386, 387, 388,  
D23/389, 390, 391; D14/214, 225, 235,  
D14/237, 240, 241, 255, 356, 362  
CPC ..... A61L 9/00; A61L 9/20; A61L 9/205;  
A61L 9/01; A61L 9/015; A61L 9/14; A61L  
9/16; F24F 1/00; F24F 3/16; F24F 3/166;  
F24F 3/1603; F24F 3/14; F24F 3/12; F24F  
7/00; B03C 1/00; B03C 3/32; B03C 3/15;  
B03C 3/155; B03C 3/16

See application file for complete search history.

(56) **References Cited**

U.S. PATENT DOCUMENTS

D257,059 S 9/1980 Schade  
D298,770 S 11/1988 DeMars  
D312,302 S 11/1990 Fan  
D460,451 S 7/2002 Andre et al.  
D518,817 S 4/2006 Ching  
D537,512 S 2/2007 Nakajima  
D540,300 S 4/2007 Amid-Hozour

(Continued)

OTHER PUBLICATIONS

Requirement for Restriction/Election in related U.S. Appl. No.  
29/464,149 dated Apr. 7, 2015.

(Continued)

*Primary Examiner* — Eric Goodman

*Assistant Examiner* — Bao-Yen Nguyen

(74) *Attorney, Agent, or Firm* — Calfee, Halter & Griswold  
LLP

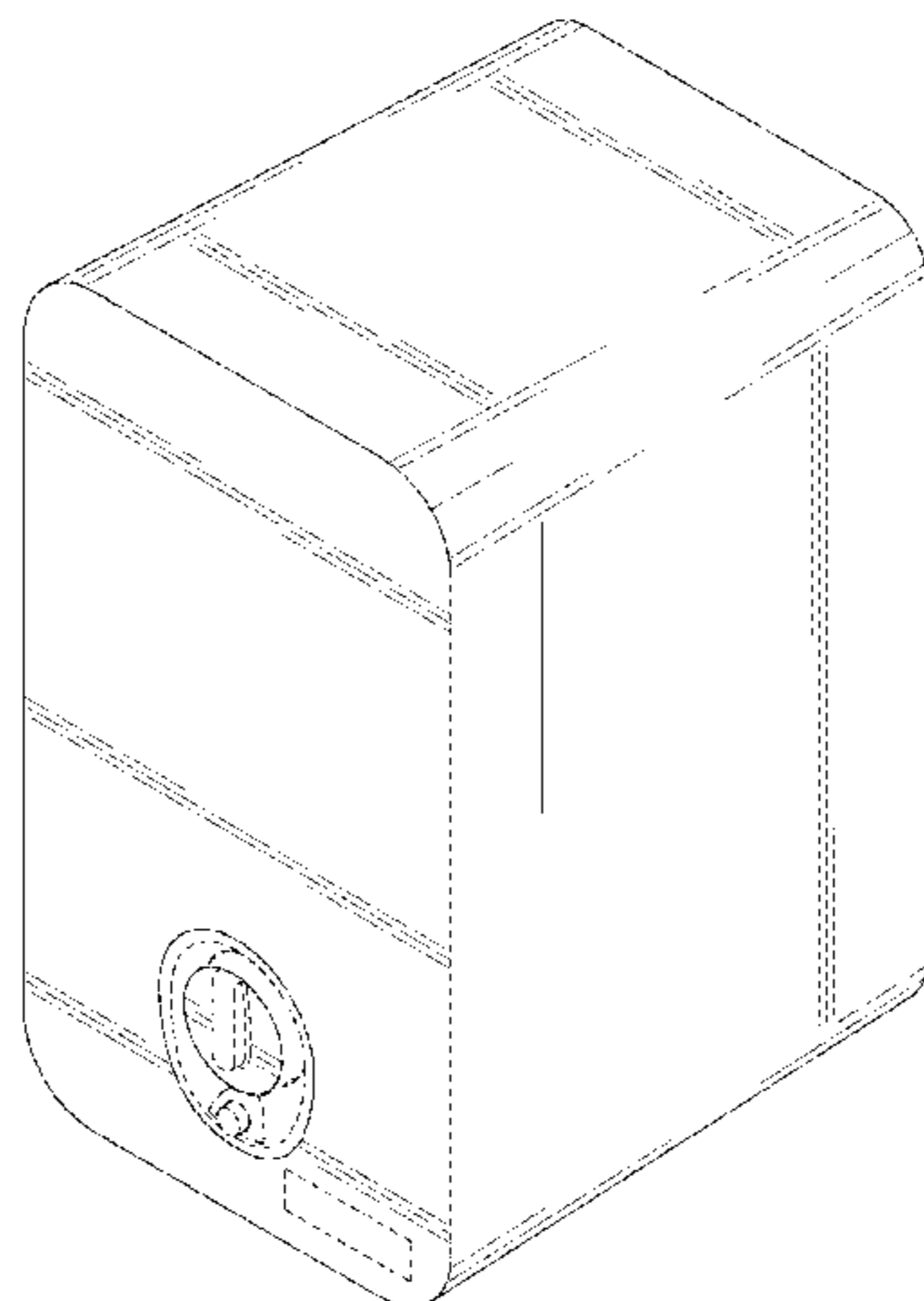
(57) **CLAIM**

The ornamental design for a table top air purifier, as shown  
and described.

**DESCRIPTION**

FIG. 1 is a perspective view of a table top air purifier of an  
embodiment of the new design;  
FIG. 2 is a top plan view of the table top air purifier of FIG. 1;  
FIG. 3 is a front elevational view of the table top air purifier of  
FIG. 1;  
FIG. 4 is a left side elevational view of the table top air purifier  
of FIG. 1;  
FIG. 5 is a right side elevational view of the table top air  
purifier of FIG. 1;  
FIG. 6 is back elevational view of the table top air purifier of  
FIG. 1; and,  
FIG. 7 is right bottom view of the table top air purifier of FIG.  
1.  
The broken lines depict portions of the air purifier and form  
no part of the claimed design.

**1 Claim, 4 Drawing Sheets**



(56)

**References Cited**

U.S. PATENT DOCUMENTS

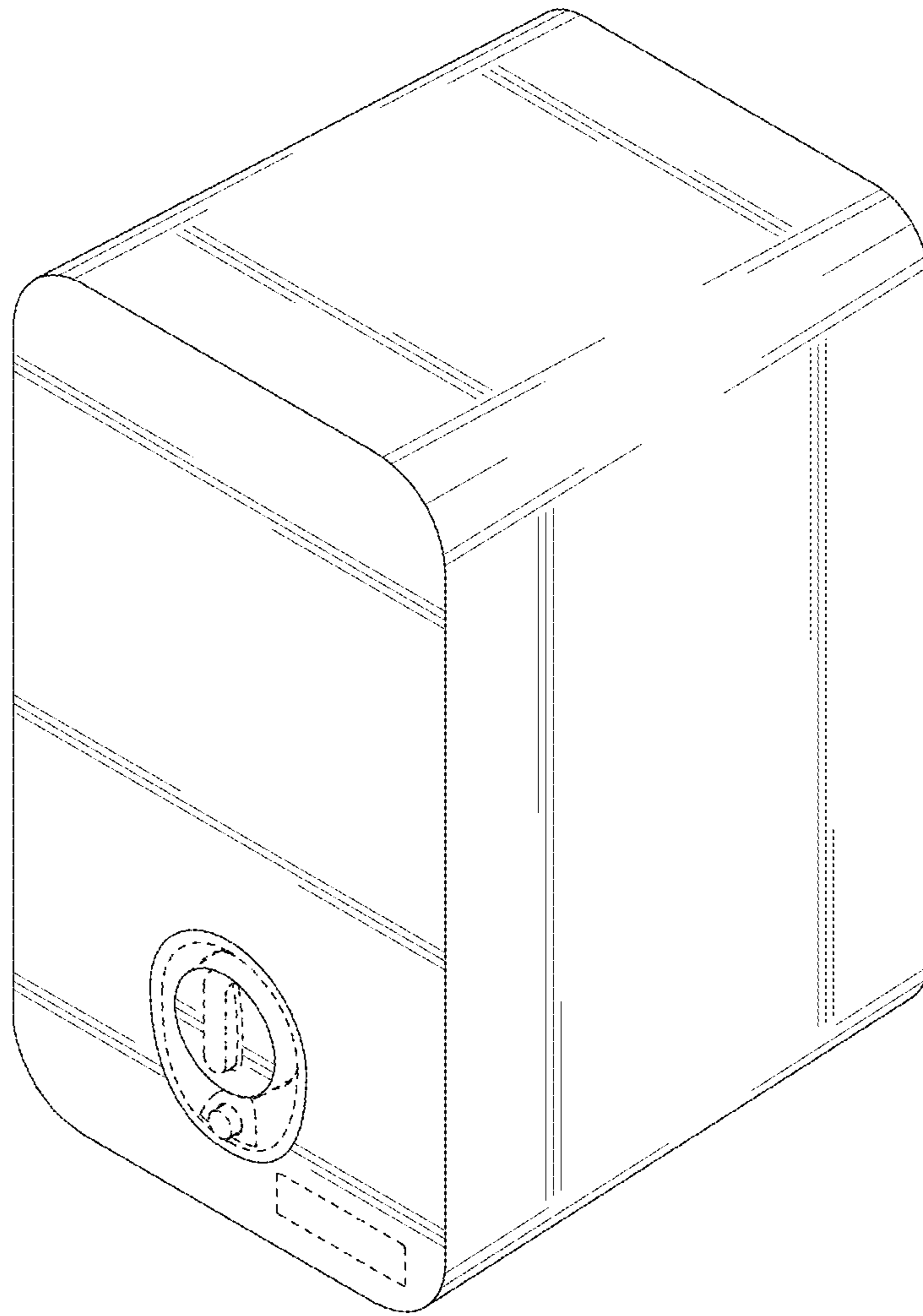
D542,289 S 5/2007 Diebel  
 D549,308 S 8/2007 Chiu  
 D551,652 S 9/2007 Nakamura  
 D557,256 S 12/2007 Joseph  
 D557,783 S 12/2007 Yoo et al.  
 D558,867 S 1/2008 Chun et al.  
 D563,994 S 3/2008 Liu et al.  
 D568,881 S 5/2008 Hsiau  
 D572,810 S 7/2008 Chiu  
 D582,532 S 12/2008 Murdoch et al.  
 D584,288 S 1/2009 Kim  
 D586,783 S 2/2009 Lui et al.  
 D590,487 S 4/2009 Chen  
 D599,344 S 9/2009 Wang et al.  
 D602,019 S 10/2009 Wang et al.  
 D606,184 S 12/2009 Chiu  
 D619,689 S 7/2010 Bartlett et al.  
 D621,019 S 8/2010 Kim et al.  
 D628,979 S 12/2010 Yagi  
 D639,920 S 6/2011 Lewis  
 D644,627 S 9/2011 Garrett  
 D649,148 S 11/2011 Gengoux  
 D649,541 S 11/2011 Morenstein et al.  
 D651,300 S 12/2011 Xu et al.  
 D657,033 S \* 4/2012 Chouji ..... D23/351

D657,037 S \* 4/2012 Lo ..... D23/364  
 D658,280 S \* 4/2012 Niki ..... D23/364  
 D659,676 S 5/2012 Aquillano et al.  
 D662,577 S \* 6/2012 Nakamura ..... D23/364  
 D664,122 S 7/2012 Cho et al.  
 D670,266 S 11/2012 Swendseid  
 D671,527 S 11/2012 Lee et al.  
 D674,779 S 1/2013 Joseph  
 D675,598 S 2/2013 Paddock  
 D677,245 S 3/2013 Joseph  
 D677,774 S \* 3/2013 Postma ..... D23/360  
 D683,719 S 6/2013 Onoue  
 D687,014 S 7/2013 Paddock  
 D687,413 S 8/2013 Yoshiizumi  
 D688,229 S 8/2013 Ryu et al.  
 D690,803 S 10/2013 Koivisto et al.  
 D692,542 S 10/2013 Robinet et al.  
 D705,919 S 5/2014 Park et al.  
 D713,405 S 9/2014 Akana et al.  
 D716,424 S 10/2014 Merrill

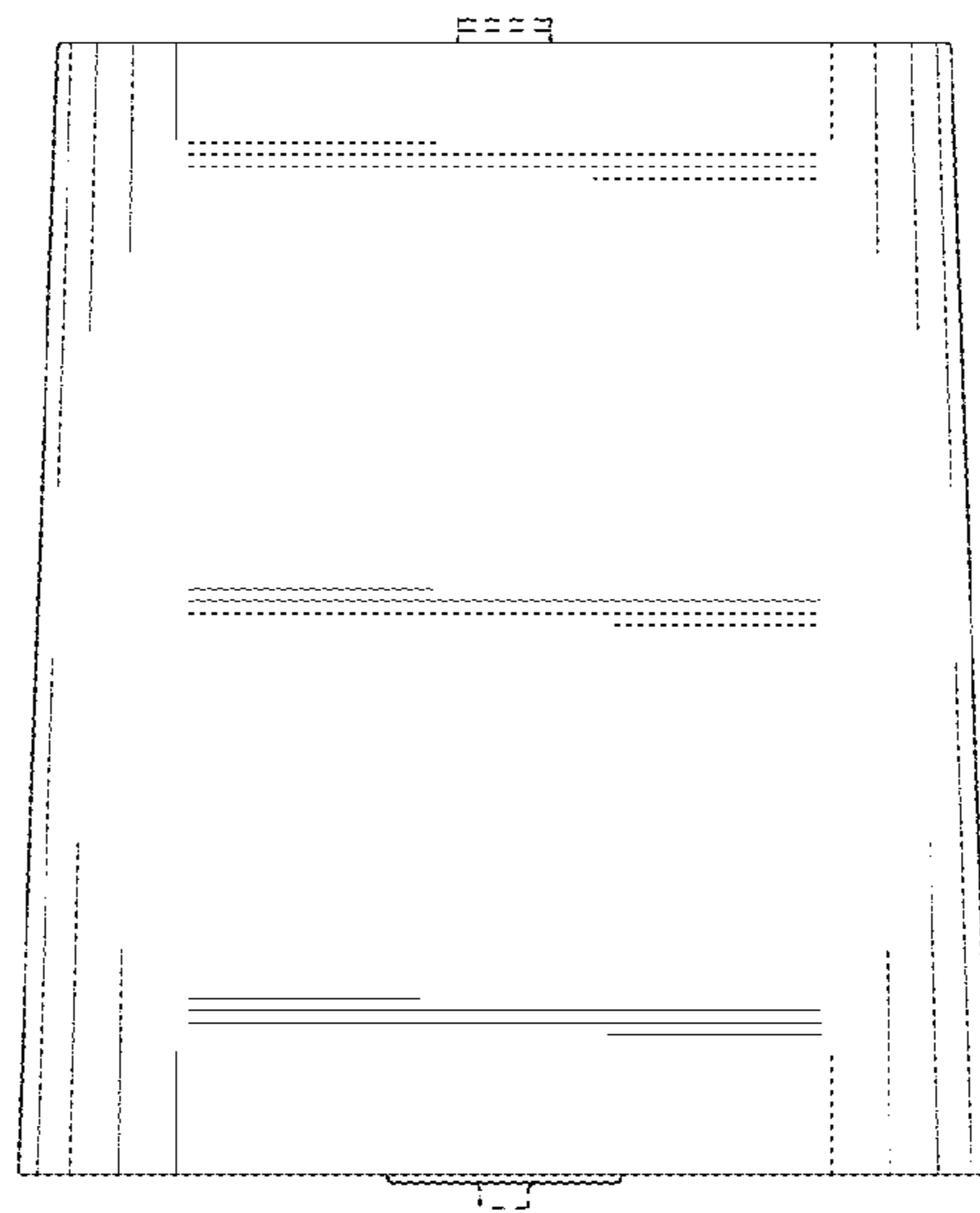
OTHER PUBLICATIONS

Response to Election/Restriction filed May 29, 2015 in related U.S. Appl. No. 29/464,149.  
 Notice of Allowance in related U.S. Appl. No. 29/464,149 dated Aug. 26, 2015.

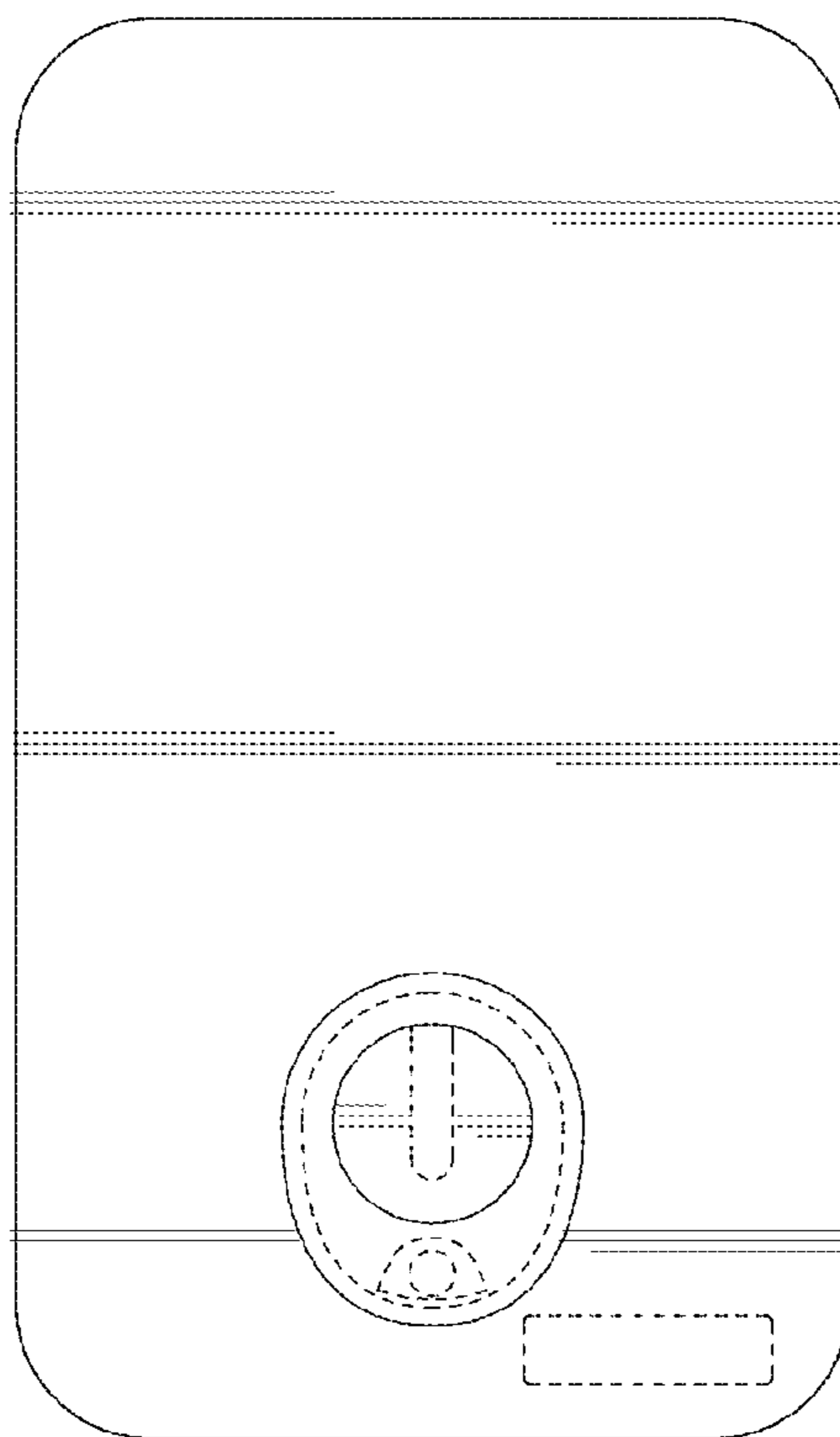
\* cited by examiner



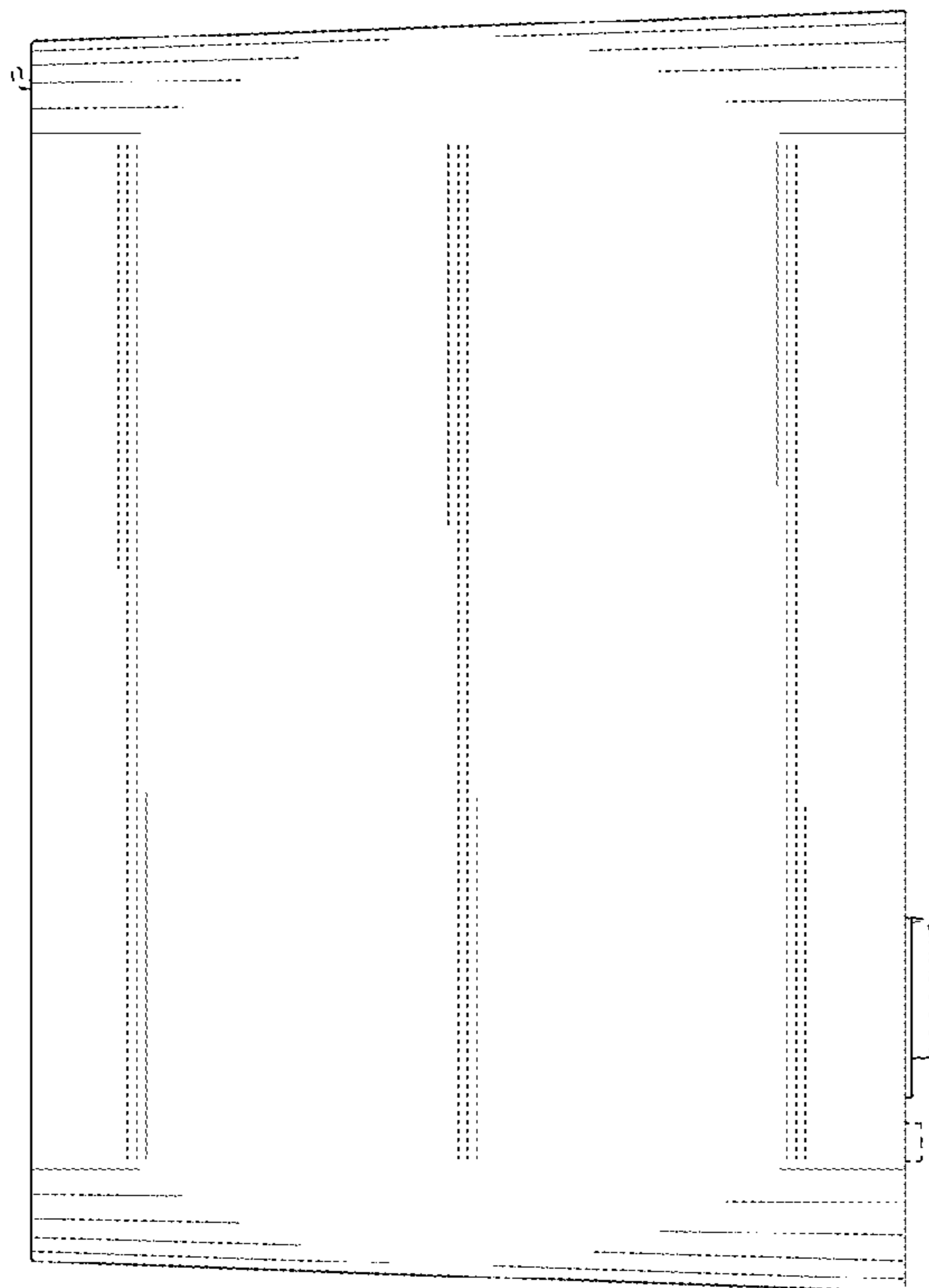
**FIG. 1**



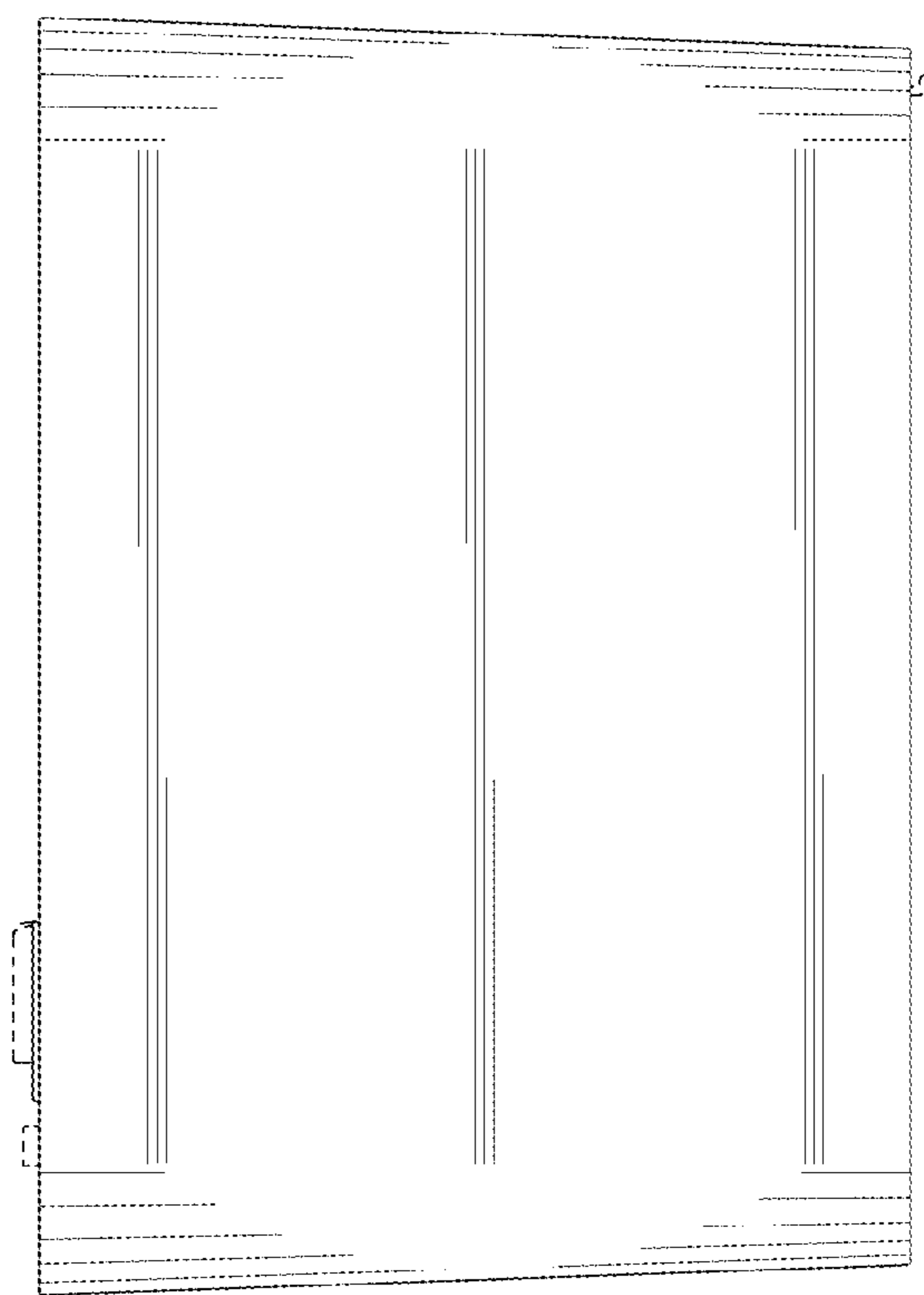
**FIG. 2**



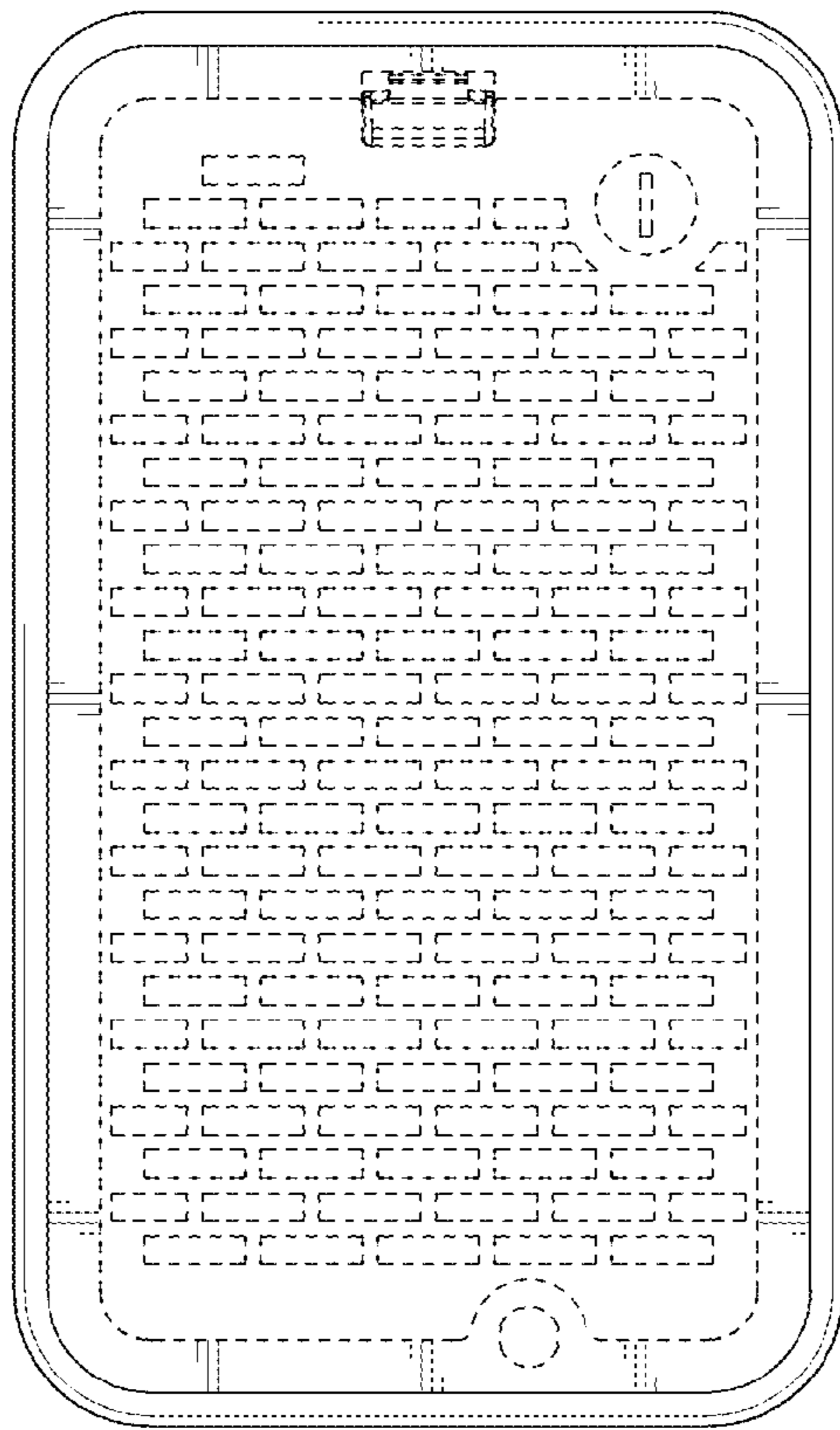
**FIG. 3**



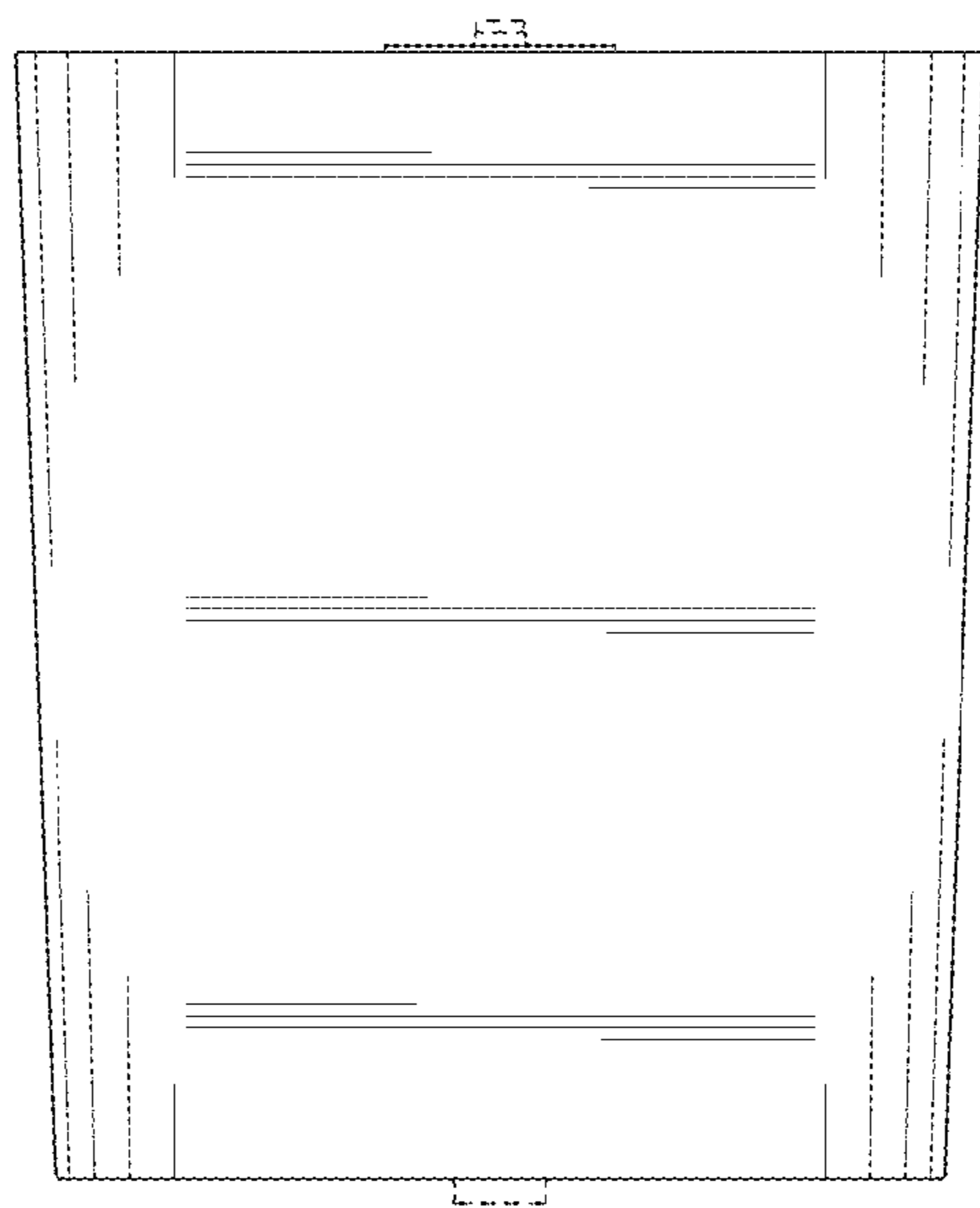
**FIG. 4**



**FIG. 5**



**FIG. 6**



**FIG. 7**