



US00D759795S

(12) **United States Design Patent**
LeTourneau et al.

(10) **Patent No.:** **US D759,795 S**
(45) **Date of Patent:** **** Jun. 21, 2016**

- (54) **COUNTERTOP**
- (71) Applicant: **Kohler Co.**, Kohler, WI (US)
- (72) Inventors: **Alexander V. LeTourneau**, Sheboygan, WI (US); **Shawn J. Booth**, Sheboygan, WI (US)
- (73) Assignee: **KOHLER CO.**, Kohler, WI (US)
- (**) Term: **14 Years**
- (21) Appl. No.: **29/516,778**
- (22) Filed: **Feb. 5, 2015**

- D322,473 S 12/1991 Reid
- D326,903 S 6/1992 Reid
- D331,623 S 12/1992 Sauter et al.
- D362,573 S * 9/1995 Finlayson D6/707.19
- D391,353 S 2/1998 McKeone
- D407,470 S 3/1999 McKeone

(Continued)

Primary Examiner — Robert Delehanty
(74) *Attorney, Agent, or Firm* — Foley & Lardner LLP

(57) **CLAIM**
We claim the ornamental design for a countertop, as shown and described.

DESCRIPTION

FIG. 1 is a top perspective view of an embodiment of the claimed design;
 FIG. 2 is a top view of the embodiment of the claimed design shown in FIG. 1;
 FIG. 3 is a bottom view of the embodiment of the claimed design shown in FIG. 1;
 FIG. 4 is a front view of the embodiment of the claimed design shown in FIG. 1;
 FIG. 5 is a rear view of the embodiment of the claimed design shown in FIG. 1;
 FIG. 6 is a side view of the embodiment of the claimed design shown in FIG. 1;
 FIG. 7 is another side view of the embodiment of the claimed design shown in FIG. 1;
 FIG. 8 is a cross-section view of the embodiment of the claimed design shown in FIG. 1; and,
 FIG. 9 is a second cross-section view of the embodiment of the claimed design shown in FIG. 1.

The ornamental design which is claimed is shown in solid lines in the drawings. The broken lines in the drawings are for illustrative purposes only and form no part of the claimed design. Broken lines formed by equal length dashes show unclaimed portions of the design. Broken lines formed of unequal length dashes (i.e., dash-dot) show boundaries between claimed and unclaimed portions of the design.

Related U.S. Application Data

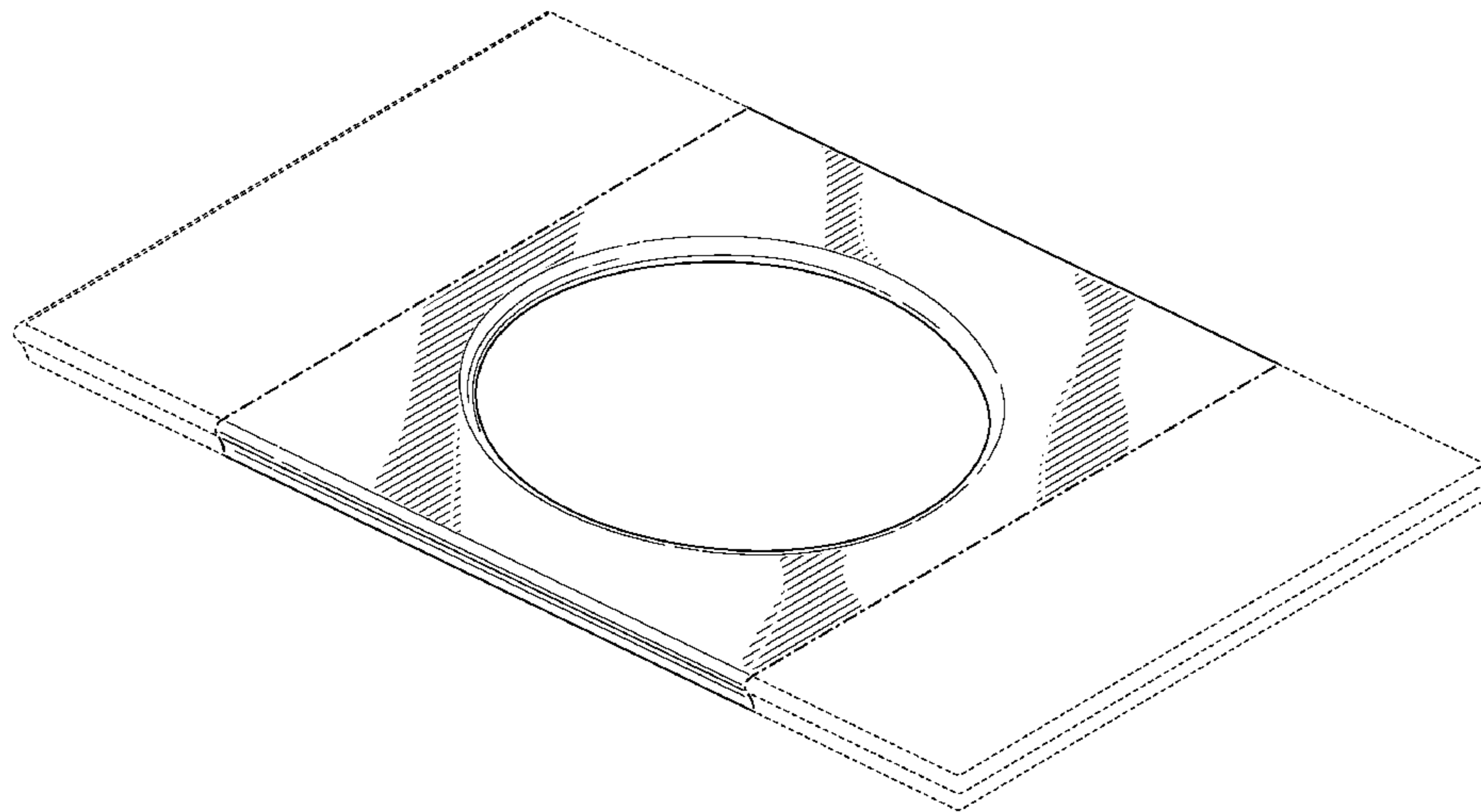
- (62) Division of application No. 29/481,079, filed on Jan. 31, 2014, now Pat. No. Des. 722,369.
- (51) **LOC (10) Cl.** **23-02**
- (52) **U.S. Cl.**
USPC **D23/308**; D23/284
- (58) **Field of Classification Search**
USPC D23/284, 286–287, 290–291, 293.1, D23/303, 308; 4/619, 630–631, 638, 639, 4/650, 661; D24/234; D25/113, 133, D25/149, 136; D6/707, 707.17, 707.19, D6/707.24, 707.25
CPC A47B 96/201; A47B 96/18; A47B 77/022
See application file for complete search history.

(56) **References Cited**

U.S. PATENT DOCUMENTS

- 2,970,872 A 2/1961 Myron, Jr.
- D191,432 S * 10/1961 Chapman D23/286
- 3,578,737 A * 5/1971 Ruggles E03C 1/18
4/631
- 4,596,485 A * 6/1986 Murtagh E04F 19/0436
D25/136
- D287,082 S 12/1986 Gambon
- D317,498 S 6/1991 Reid
- D319,497 S 8/1991 Reid

1 Claim, 5 Drawing Sheets



(56)

References Cited

U.S. PATENT DOCUMENTS

D422,347 S *	4/2000	Kawamura	D23/292	D511,374 S *	11/2005	Chen	D23/293.1
6,258,190 B1	7/2001	Sciarrino et al.			D520,125 S	5/2006	Paredes et al.		
D461,881 S *	8/2002	McKeone	D23/293.1	D538,903 S *	3/2007	Paterson	D23/293.1
D463,170 S *	9/2002	Schultz	D6/707.24	D576,261 S *	9/2008	Wang	D23/286
D468,413 S	1/2003	McKeone			D588,242 S *	3/2009	Hanna	D23/284
D484,222 S *	12/2003	Zenobio	D23/293.1	D589,129 S *	3/2009	Walker	D23/286
D498,519 S *	11/2004	Mayer	D23/286	D634,823 S	3/2011	Grazioli et al.		
D506,534 S *	6/2005	Sutopo	D23/293.1	D655,799 S	3/2012	Vanderheyden et al.		
D507,044 S *	7/2005	Sutopo	D23/293.1	D655,825 S *	3/2012	Fleites	D25/113
					D728,082 S *	4/2015	Sukhera	D23/286
					2009/0189494 A1 *	7/2009	Bendah	A47B 96/18 312/140.3

* cited by examiner

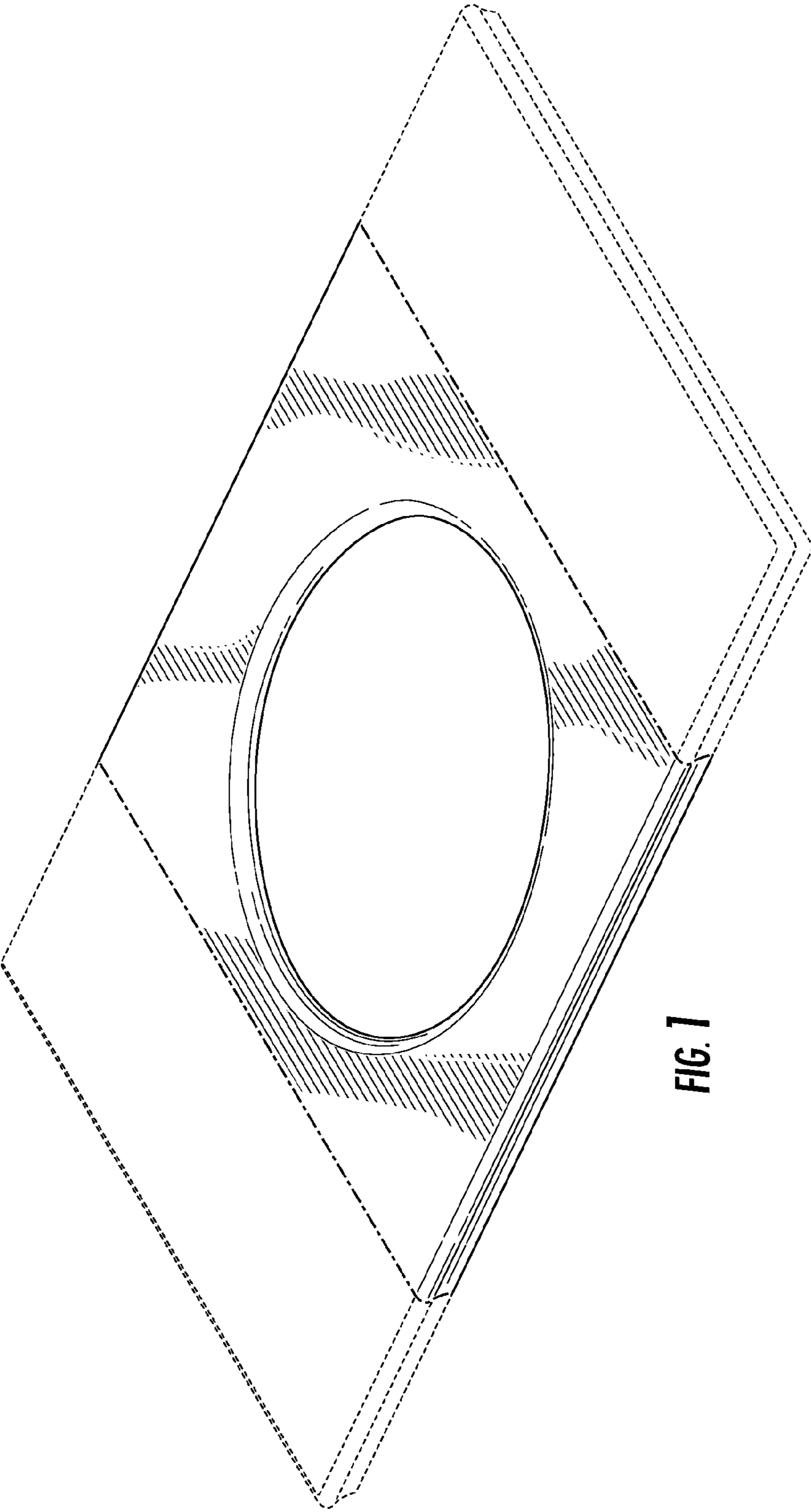


FIG. 1

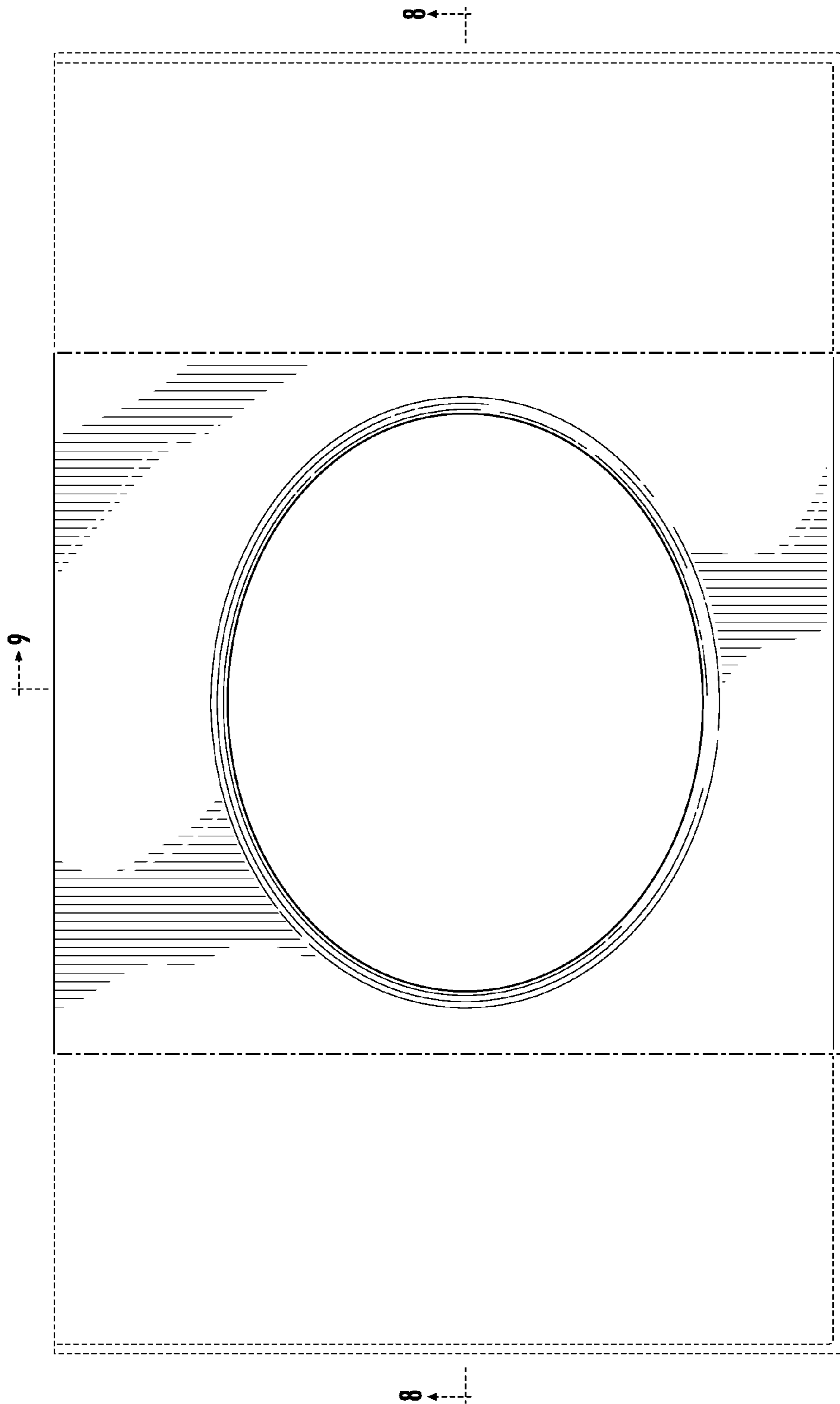


FIG. 2

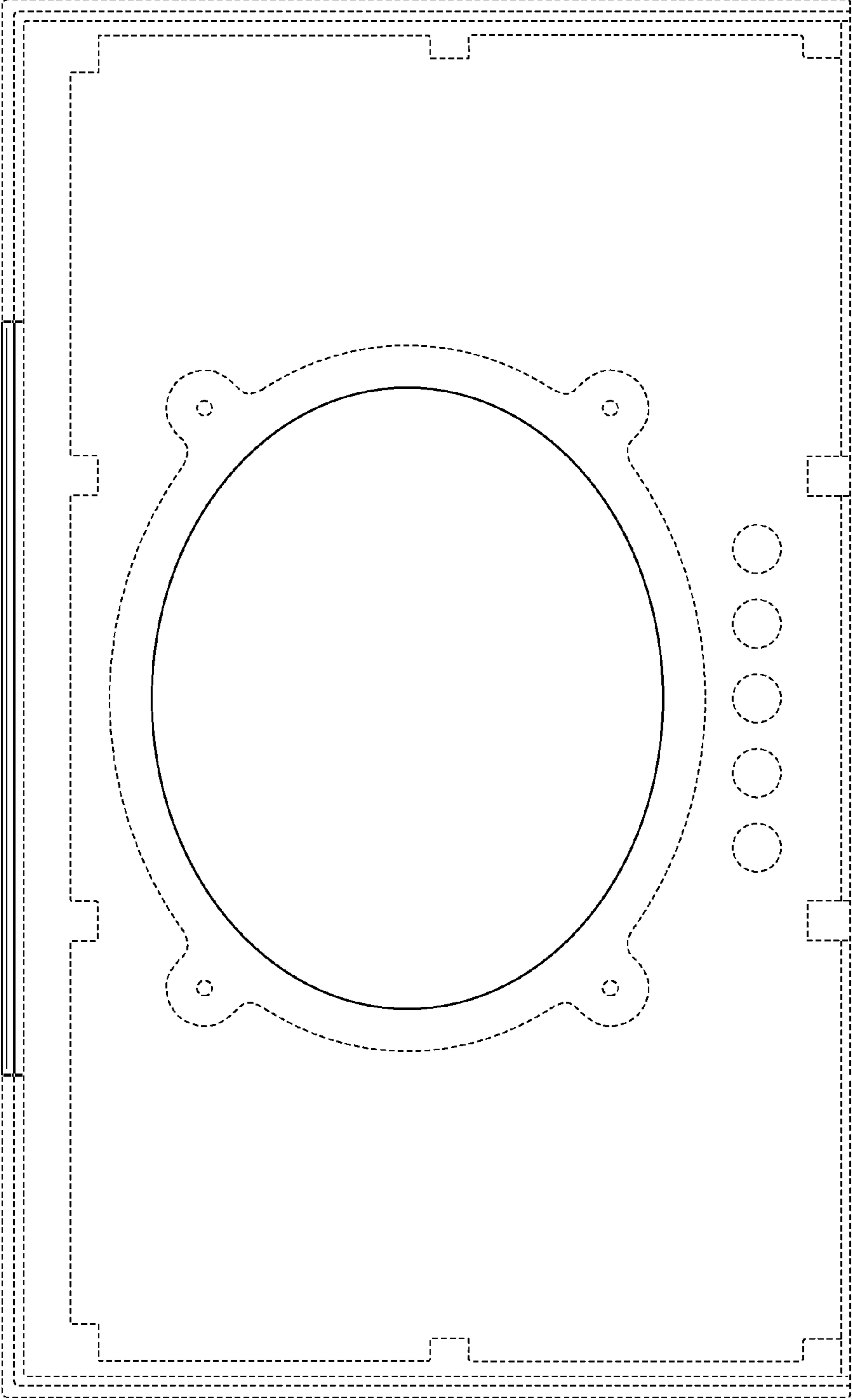


FIG. 3

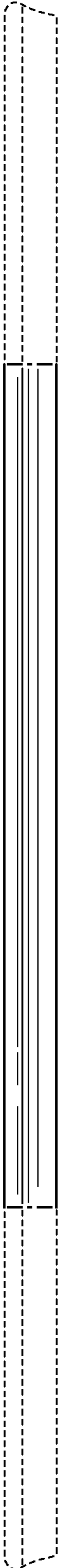


FIG. 4

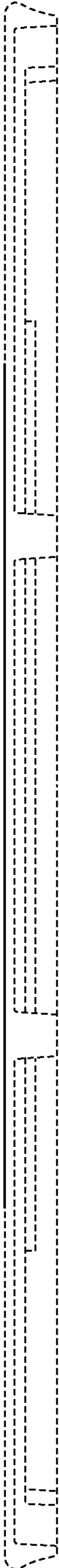


FIG. 5



FIG. 6



FIG. 7

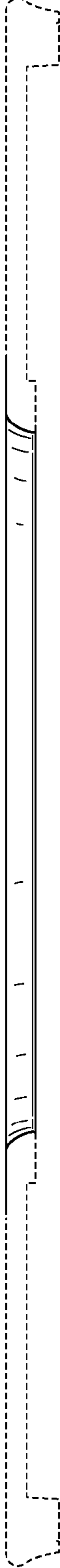


FIG. 8

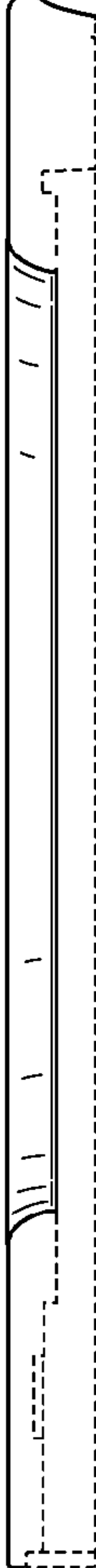


FIG. 9