



US00D759790S

(12) **United States Design Patent**  
**Baird**

(10) **Patent No.:** **US D759,790 S**  
(45) **Date of Patent:** **\*\* Jun. 21, 2016**

(54) **BYPASS PROJECTION AND NOZZLES FOR A WATER FILTER CARTRIDGE**

(71) Applicant: **Michael T. Baird**, Temecula, CA (US)

(72) Inventor: **Michael T. Baird**, Temecula, CA (US)

(\*\*) Term: **14 Years**

(21) Appl. No.: **29/513,228**

(22) Filed: **Dec. 29, 2014**

(51) **LOC (10) Cl.** ..... **23-01**

(52) **U.S. Cl.**  
USPC ..... **D23/209**

(58) **Field of Classification Search**  
USPC ..... D23/207, 209, 262, 259, 265; 210/232,  
210/234, 236, 418, 493.2; D8/382;  
285/360, 361  
CPC ..... B01D 2201/291; B01D 2201/293;  
B01D 2201/296; B01D 2201/298; B01D  
2201/301–2201/306; B01D 35/453; B01D  
35/157; B01D 35/30; B01D 29/111  
See application file for complete search history.

(56) **References Cited**

**U.S. PATENT DOCUMENTS**

5,186,829 A 2/1993 Janik  
5,207,898 A 5/1993 Hodgkins

(Continued)

**FOREIGN PATENT DOCUMENTS**

AU 199939201 B1 2/2000  
EP 0917900 A1 5/1999

(Continued)

**OTHER PUBLICATIONS**

Design U.S. Appl. No. 29/509,517, filed Nov. 18, 2014, for a Design for a Bypass Projection and Nozzles for a Water Filter, First named inventor Michael T. Baird.

(Continued)

*Primary Examiner* — Robin V Webster

(74) *Attorney, Agent, or Firm* — Stetina Brunda Garred & Brucker; Lowell Anderson

(57) **CLAIM**

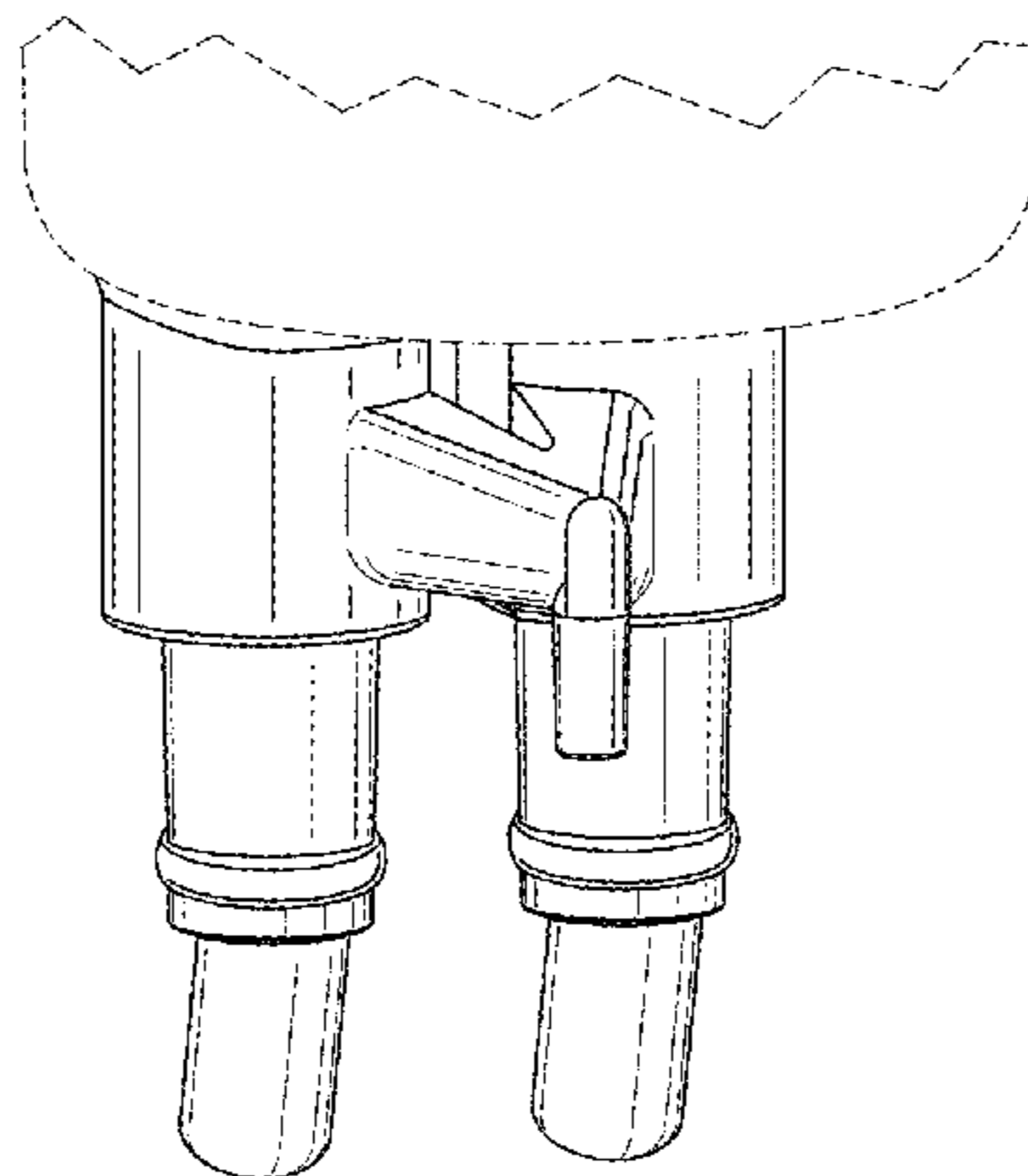
The ornamental design for a bypass projection and nozzles for a water filter cartridge, as shown and described.

**DESCRIPTION**

FIG. 1 is a bottom perspective view of a bypass projection and nozzles for a water filter cartridge of this invention;  
FIG. 2 is a front view of the bypass projection and nozzles of FIG. 1;  
FIG. 3 is a back view of the bypass projection and nozzles of FIG. 2;  
FIG. 4 is a right side view of the bypass projection and nozzles of FIG. 2, with the opposing side being a mirror image thereof;  
FIG. 5 is a top perspective view of the bypass projection and nozzles of FIG. 1;  
FIG. 6 is a top view of the bypass projection and nozzles of FIG. 4;  
FIG. 7 is a bottom perspective view of an embodiment of the bypass projection and nozzles for a water filter cartridge of FIG. 1;  
FIG. 8 is a front view of the bypass projection and nozzles of FIG. 7;  
FIG. 9 is a back view of the bypass projection and nozzles of FIG. 8;  
FIG. 10 is a right side view of the bypass projection and nozzles of FIG. 8, with the opposing side being a mirror image thereof;  
FIG. 11 is a top perspective view of the bypass projection and nozzles of FIG. 7; and,  
FIG. 12 is a top view of the bypass projection and nozzles of FIG. 10.

The broken line showing of portions of a water filter cartridge are for the purpose of illustrating environmental structure and form no part of the claimed design.

**1 Claim, 4 Drawing Sheets**



(56)

**References Cited**

U.S. PATENT DOCUMENTS

D358,448 S \* 5/1995 Paoli ..... D23/200  
5,620,599 A 4/1997 Hopkins et al.  
D494,654 S \* 8/2004 Macaulay ..... D23/209  
7,000,894 B2 2/2006 Olson et al.  
7,610,932 B2 11/2009 Olson et al.  
8,562,831 B2 \* 10/2013 Bors ..... B01D 35/306  
D35/306  
2003/0019805 A1 1/2003 Fritze

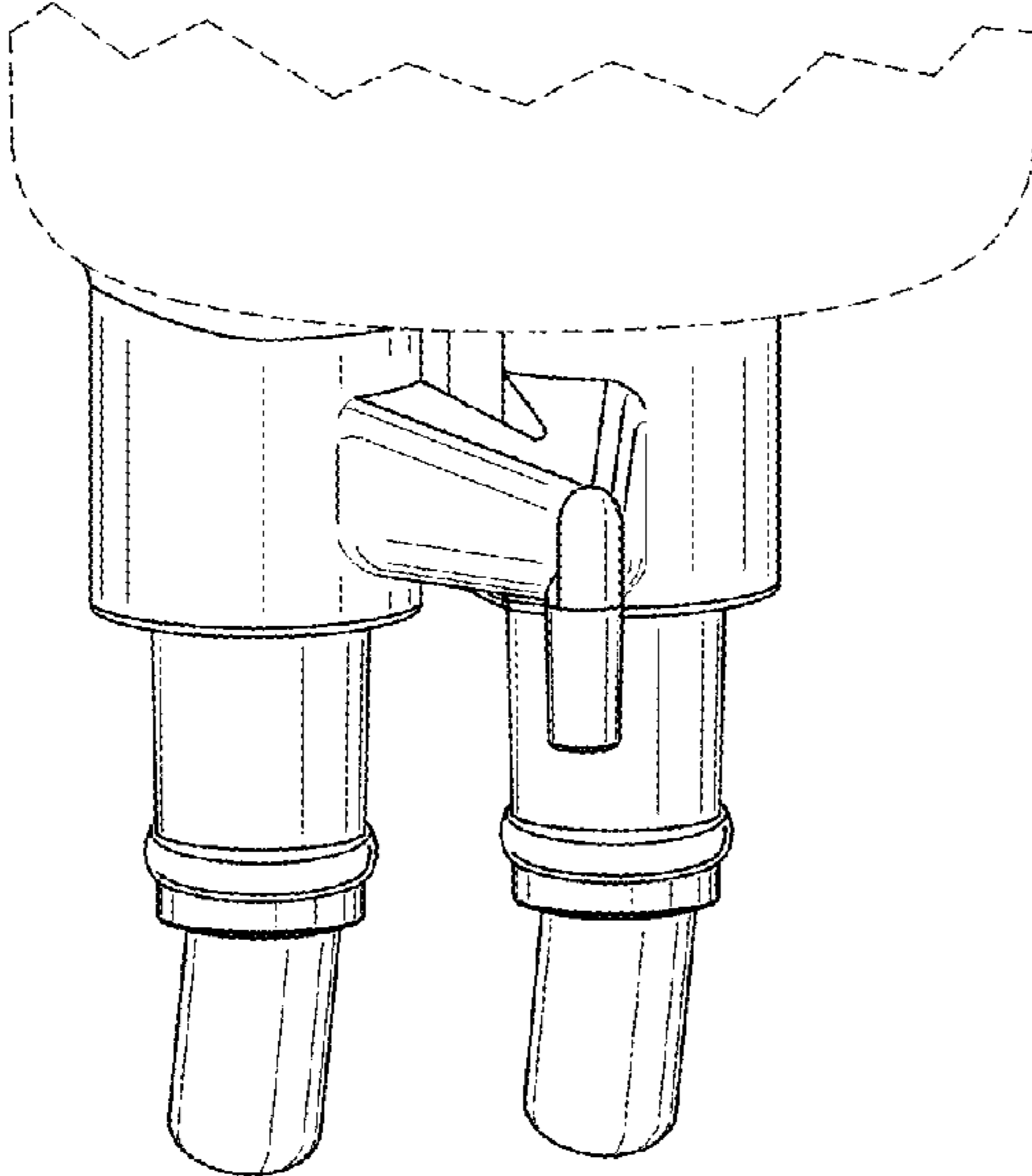
FOREIGN PATENT DOCUMENTS

JP H06327909 A 11/1994  
SU 1430062 A1 11/1986

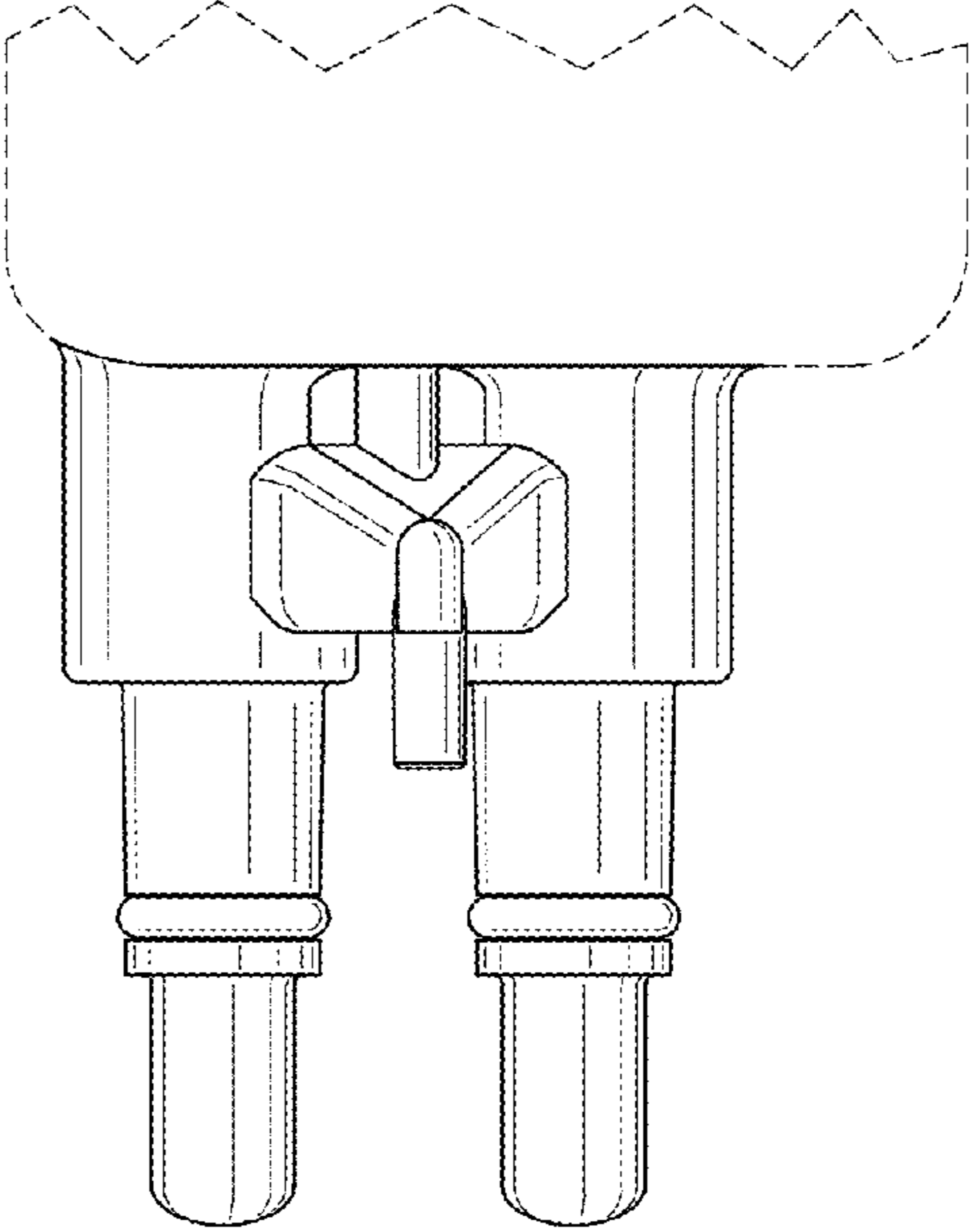
OTHER PUBLICATIONS

Design U.S. Appl. No. 14/970,310, filed Dec. 15, 2016, for a Design for a Bypass Projection and Nozzles for a Water Filter, First named inventor Michael T. Baird.

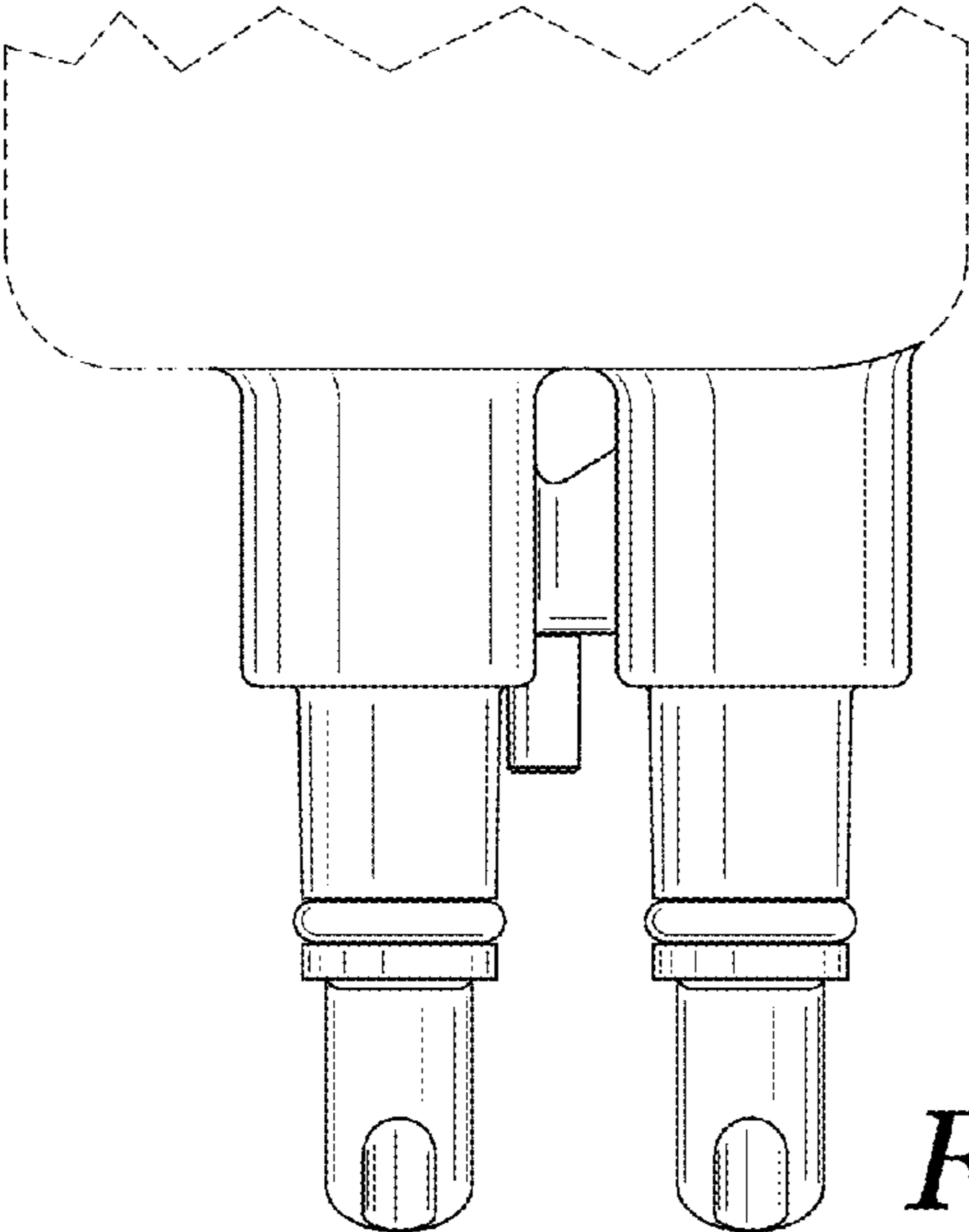
\* cited by examiner



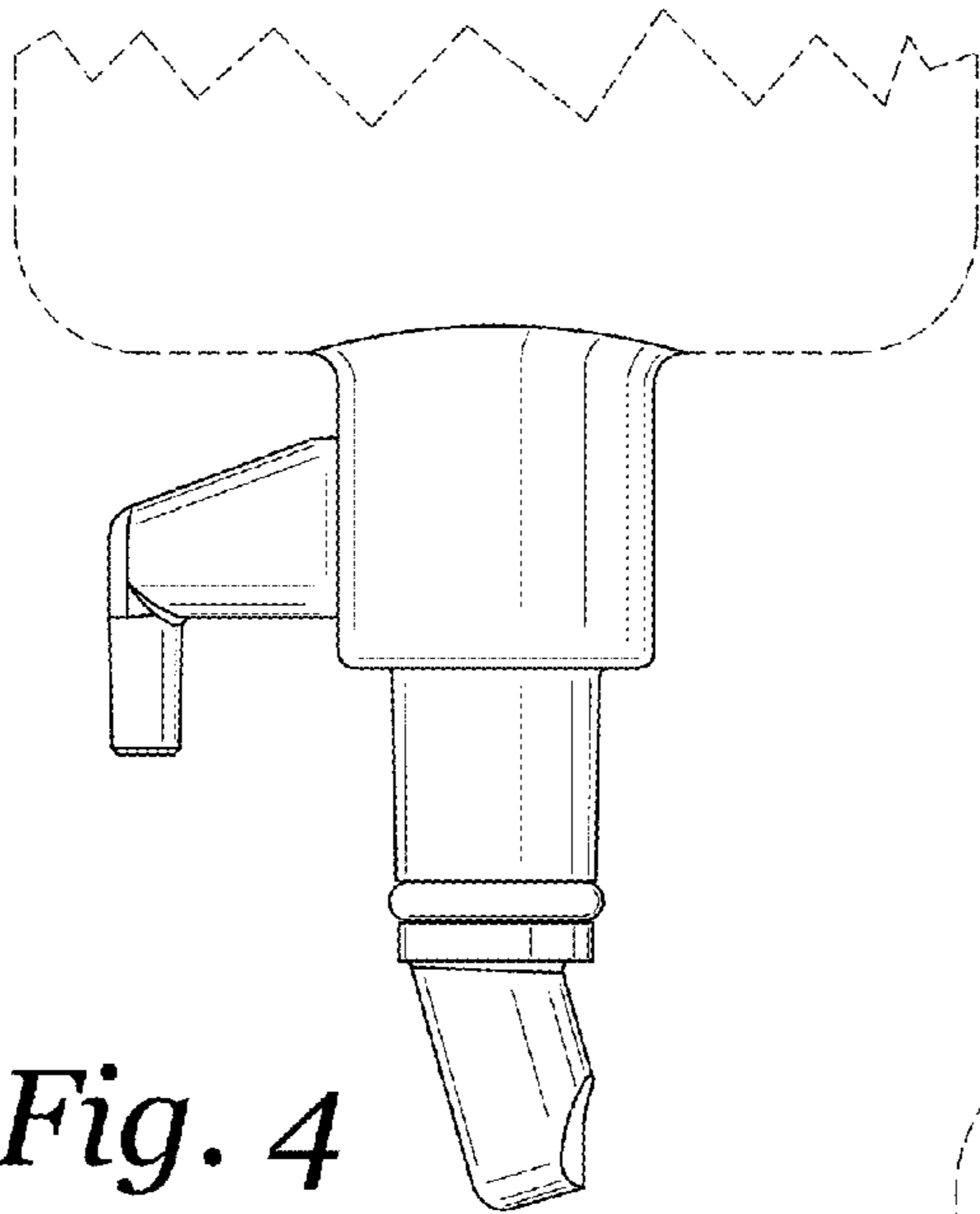
*Fig. 1*



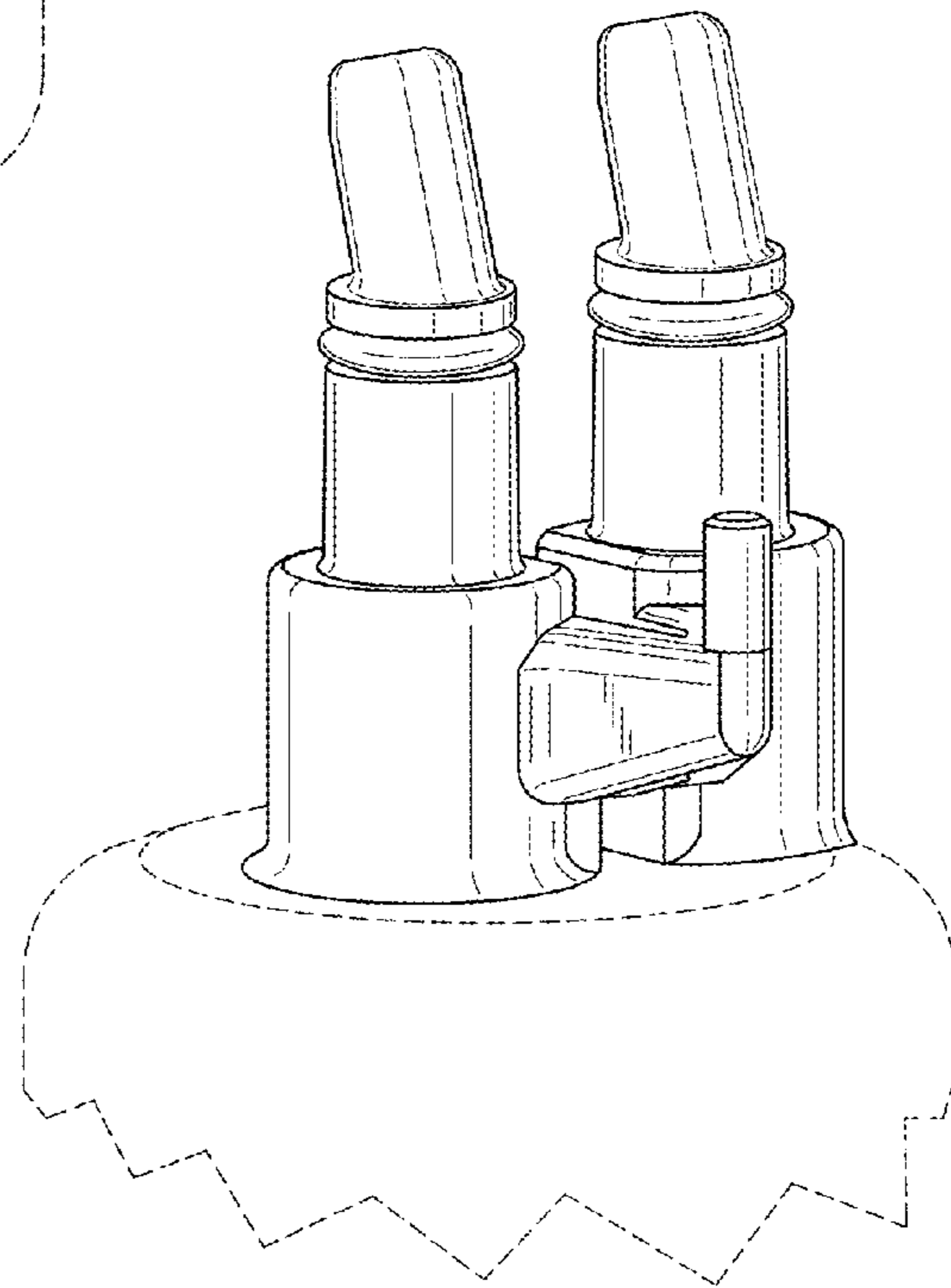
*Fig. 2*



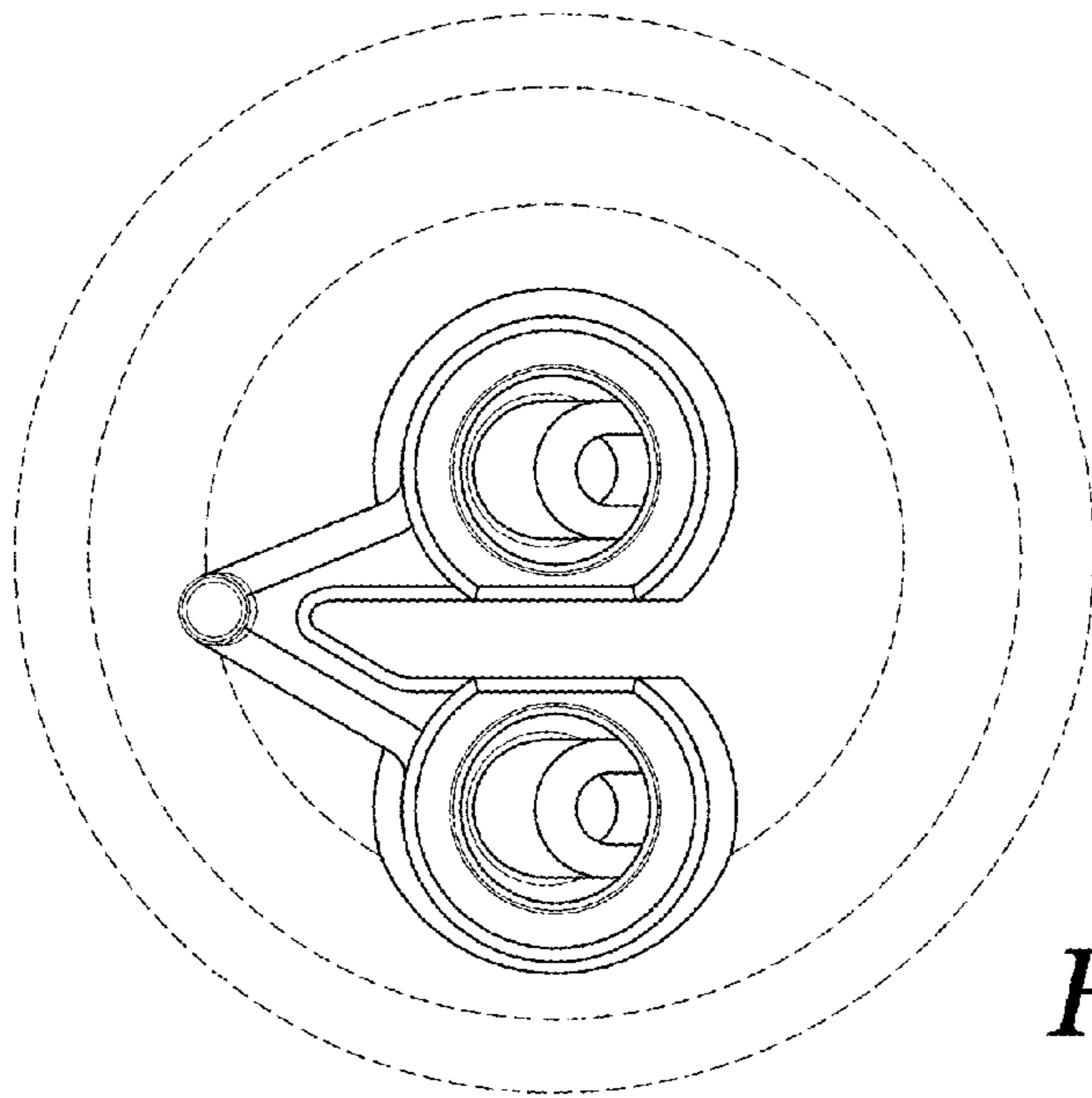
*Fig. 3*



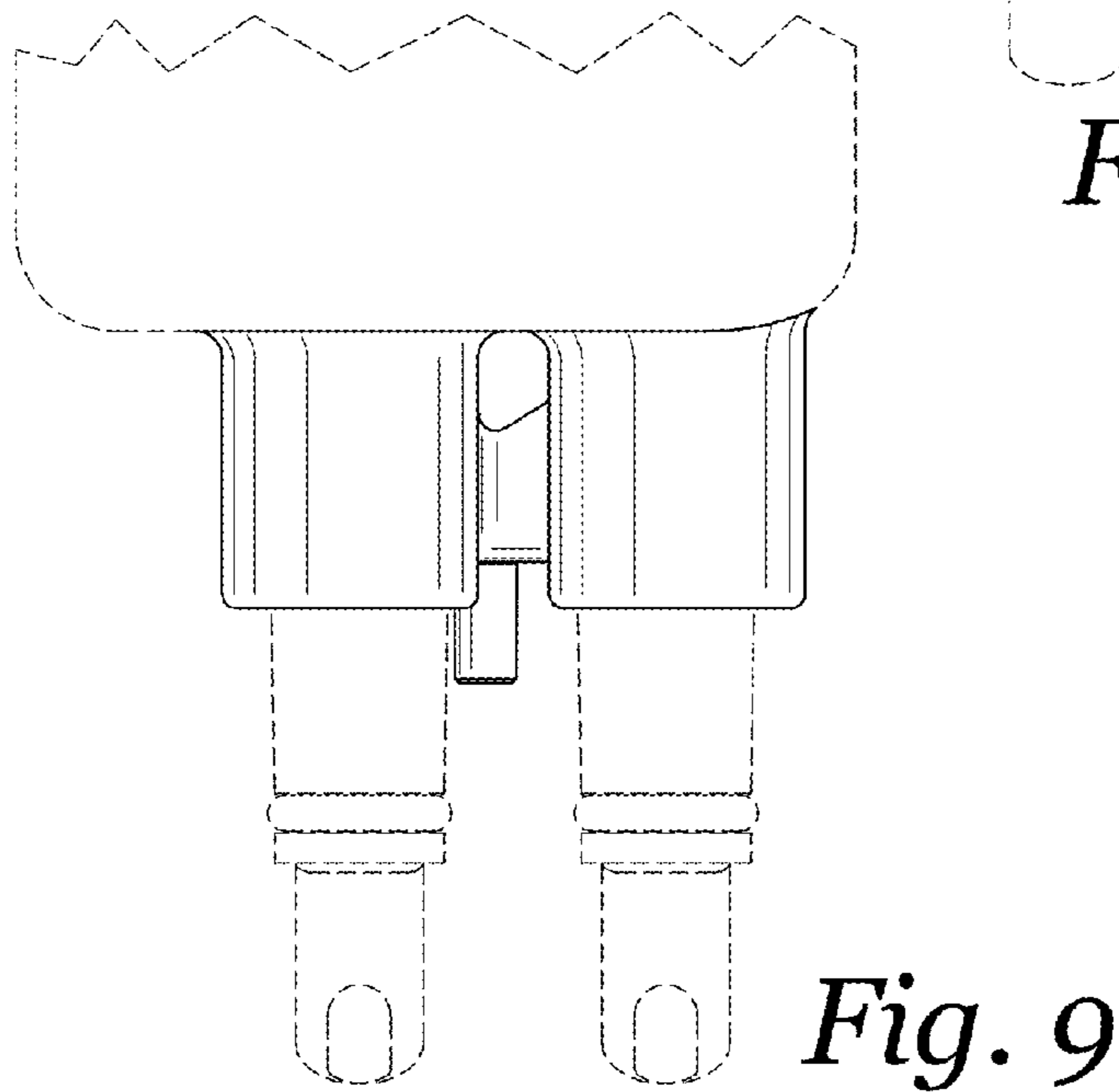
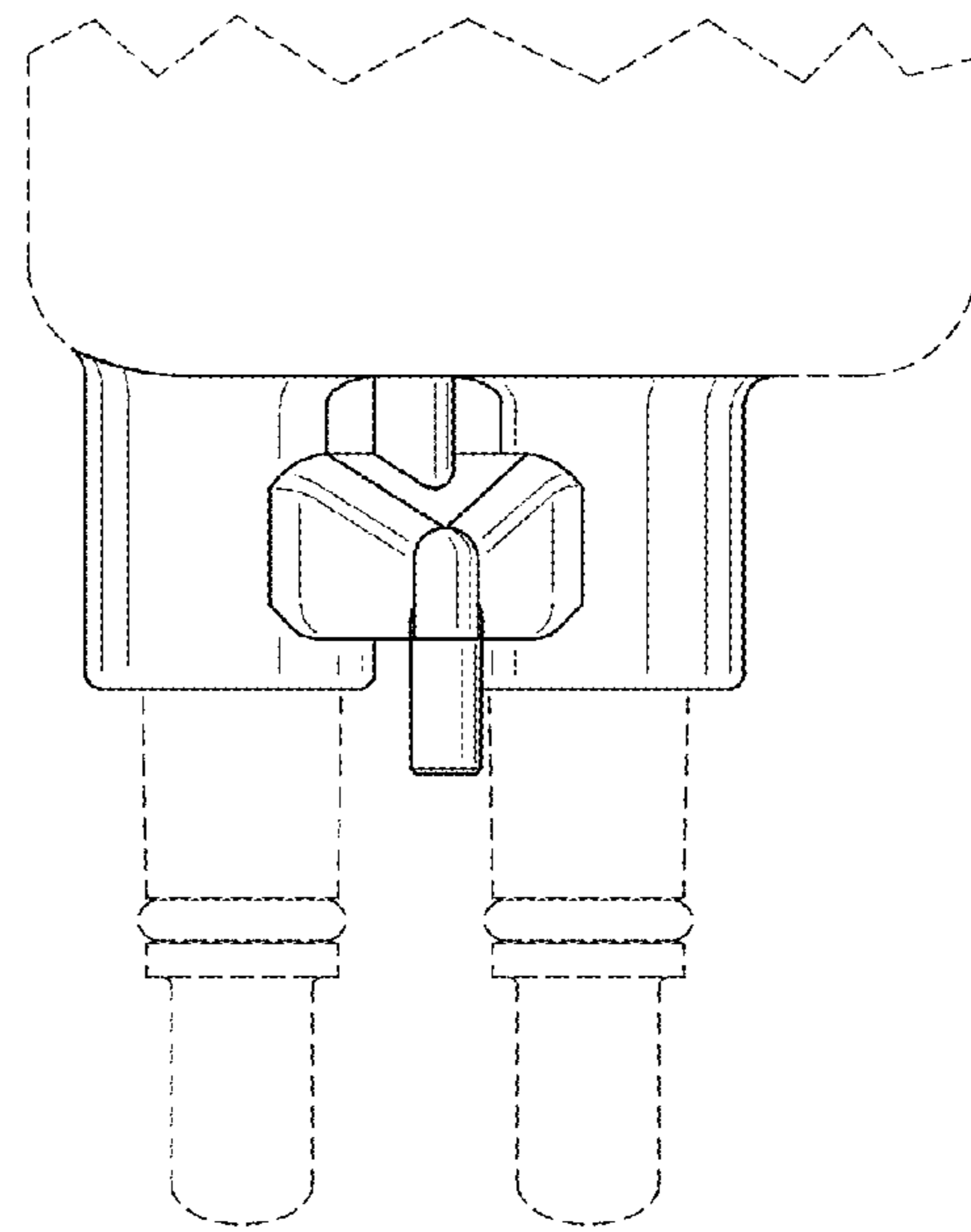
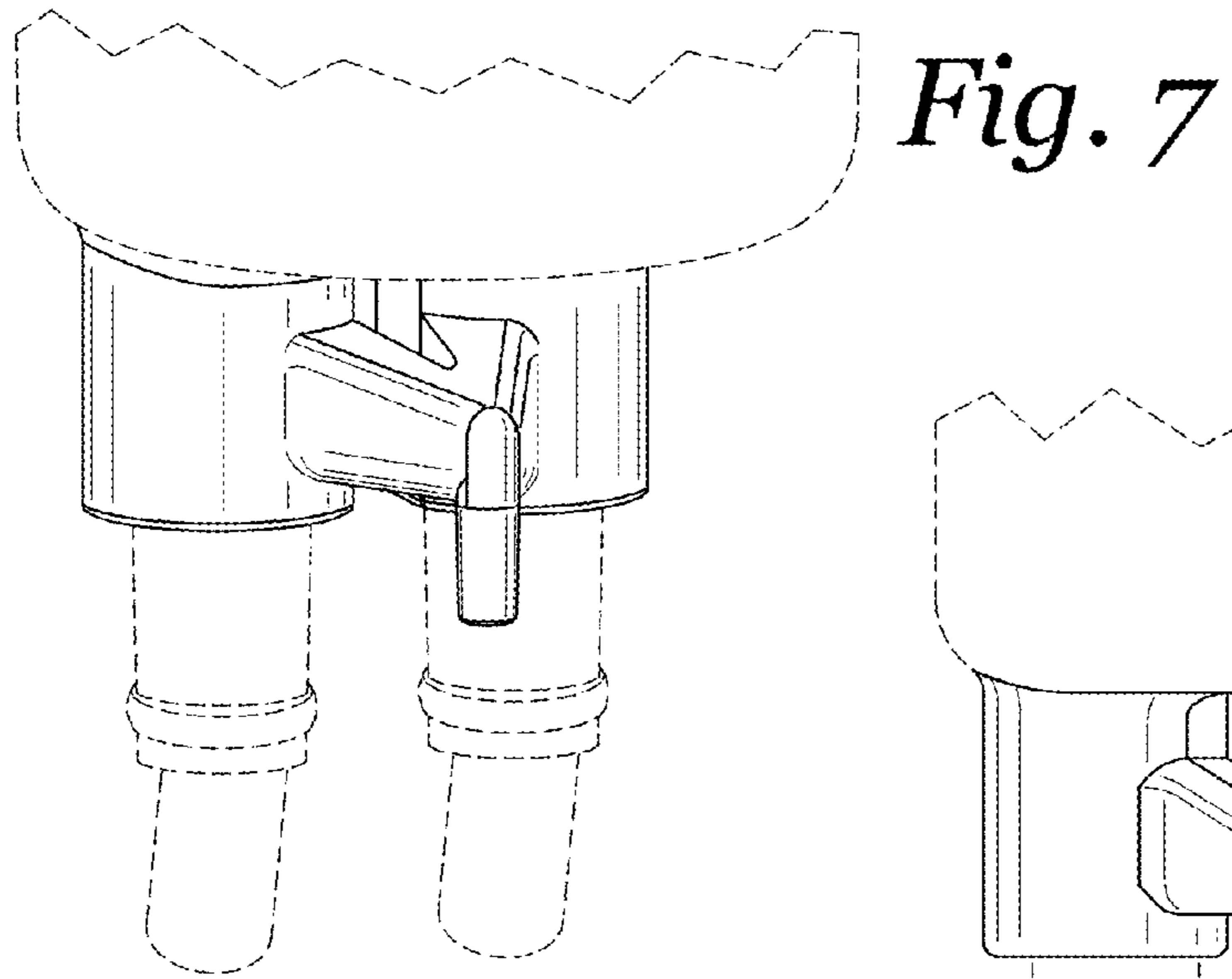
*Fig. 4*

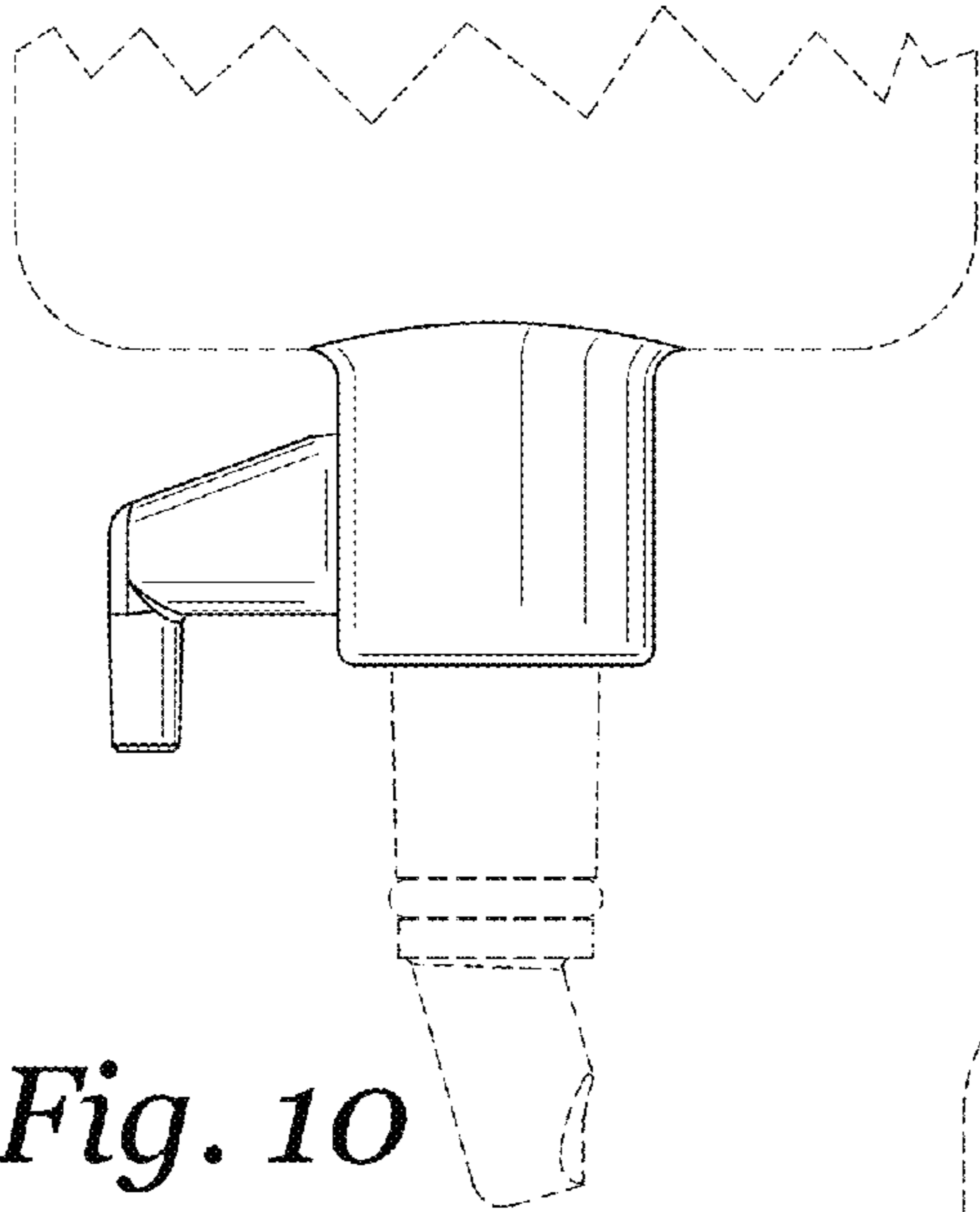


*Fig. 5*

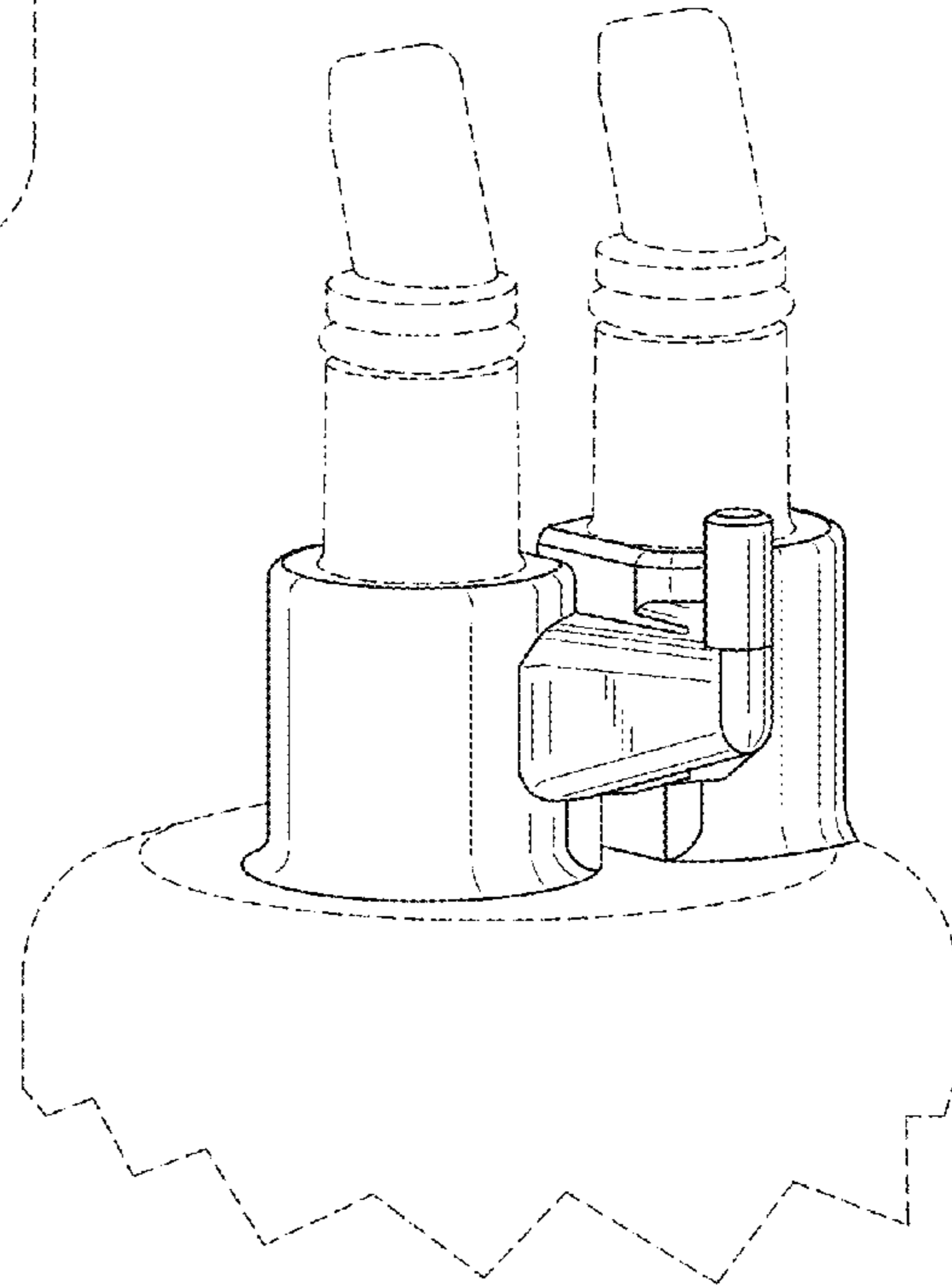


*Fig. 6*

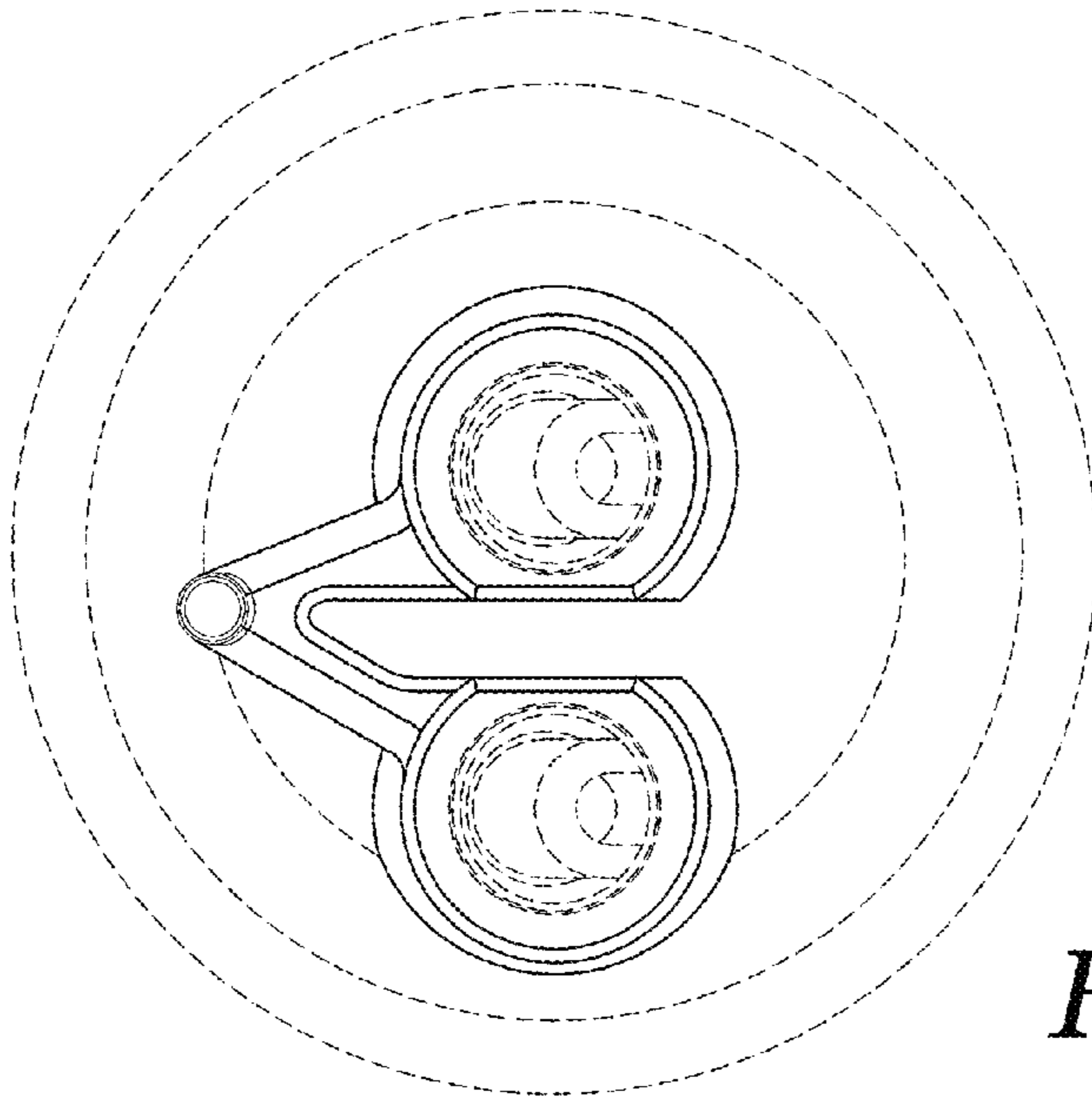




*Fig. 10*



*Fig. 11*



*Fig. 12*