



US00D759789S

(12) **United States Design Patent**
Baird

(10) **Patent No.:** **US D759,789 S**
(45) **Date of Patent:** **** Jun. 21, 2016**

(54) **BYPASS PROJECTION AND NOZZLES FOR A WATER FILTER CARTRIDGE**

(71) Applicant: **Michael T. Baird**, Temecula, CA (US)

(72) Inventor: **Michael T. Baird**, Temecula, CA (US)

(**) Term: **14 Years**

(21) Appl. No.: **29/509,517**

(22) Filed: **Nov. 18, 2014**

(51) **LOC (10) Cl.** **23-01**

(52) **U.S. Cl.**
USPC **D23/209**

(58) **Field of Classification Search**
USPC D23/207, 209, 262, 259, 265; 210/232,
210/234, 236, 418, 493.2; D8/382;
285/360, 361
CPC B01D 2201/291; B01D 2201/293;
B01D 2201/296; B01D 2201/298; B01D
2201/301–2201/306; B01D 35/153; B01D
35/157; B01D 35/30; B01D 29/111
See application file for complete search history.

(56) **References Cited**

U.S. PATENT DOCUMENTS

5,186,829	A	2/1993	Janik	
5,207,898	A	5/1993	Hodgkins	
D358,448	S *	5/1995	Paoli	D23/200
5,620,599	A	4/1997	Hopkins et al.	
D494,654	S *	8/2004	Macaulay	D23/209
7,000,894	B2	2/2006	Olson et al.	
7,610,932	B2	11/2009	Olson et al.	
8,562,831	B2 *	10/2013	Bors	B01D 35/306 210/232

2003/0019805 A1 1/2003 Fritze

FOREIGN PATENT DOCUMENTS

AU	199939201	B1	2/2000
EP	0917900	A1	5/1999
JP	H06327909	A	11/1994
SU	1430062	A1	11/1986

OTHER PUBLICATIONS

Design U.S. Appl. No. 14/970,310, filed Feb. 5, 2016, for a Design for a Bypass Projection and Nozzles for a Water Filter, First named inventor Michael T. Baird.

Design U.S. Appl. No. 29/513,228, filed Dec. 29, 2014, for a Design for a Bypass Projection and Nozzles for a Water Filter, First named inventor Michael T. Baird.

* cited by examiner

Primary Examiner — Robin V Webster

(74) *Attorney, Agent, or Firm* — Stetina Brunda Garred & Brucker; Lowell Anderson

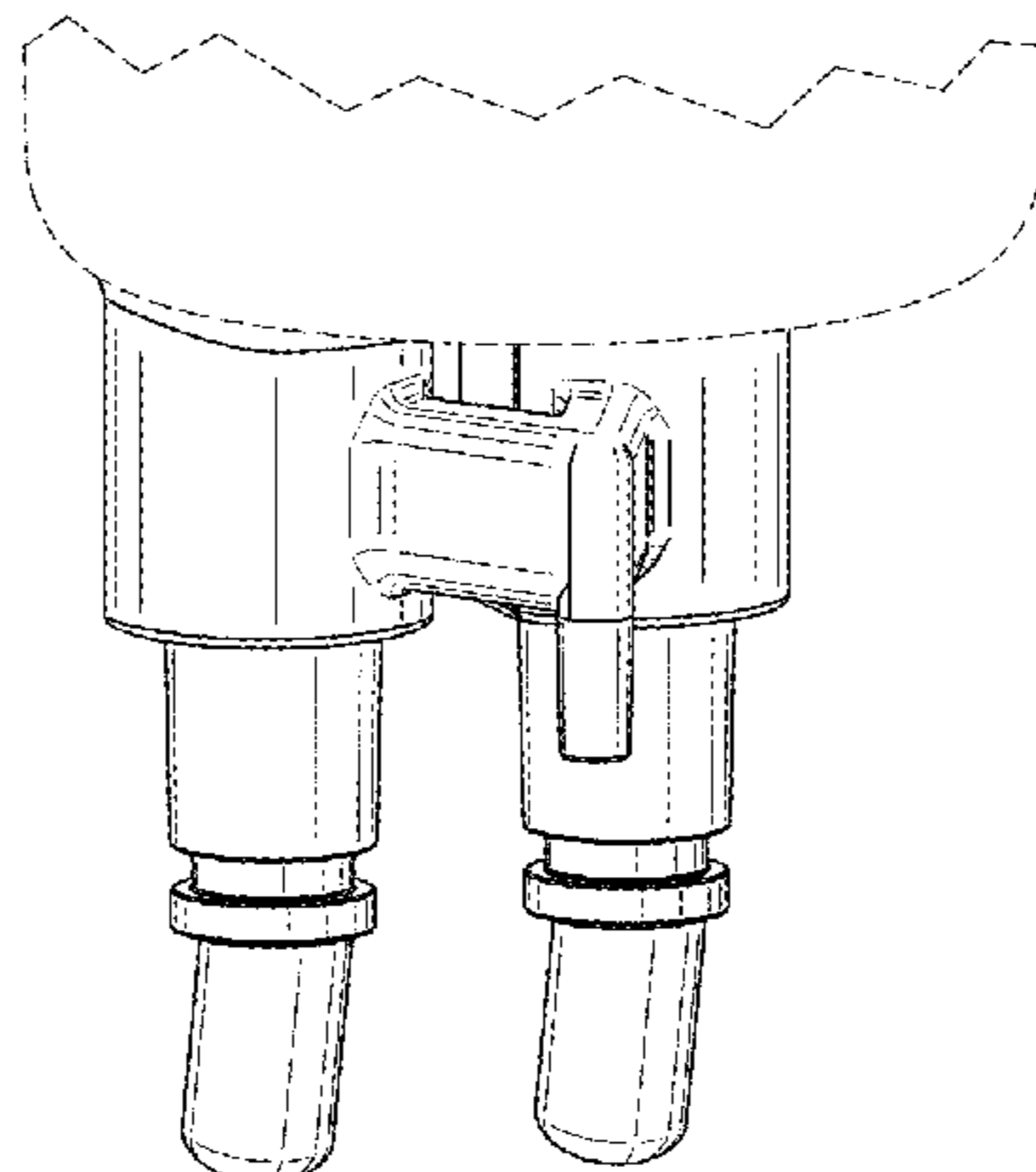
(57) **CLAIM**

The ornamental design for a bypass projection and nozzles for a water filter cartridge, as shown and described.

DESCRIPTION

FIG. 1 is a bottom perspective view of a bypass projection and nozzles for a water filter cartridge of this invention; FIG. 2 is a front view of the bypass projection and nozzles of FIG. 1; FIG. 3 is a back view of the bypass projection and nozzles of FIG. 2; FIG. 4 is a right side view of the bypass projection and nozzles of FIG. 2, with the opposing side being a mirror image thereof; FIG. 5 is a top perspective view of the bypass projection and nozzles of FIG. 1; and, FIG. 6 is a top view of the bypass projection and nozzles of FIG. 4. The broken line showing of portions of a water filter cartridge are for the purpose of illustrating environmental structure and form no part of the claimed design.

1 Claim, 2 Drawing Sheets



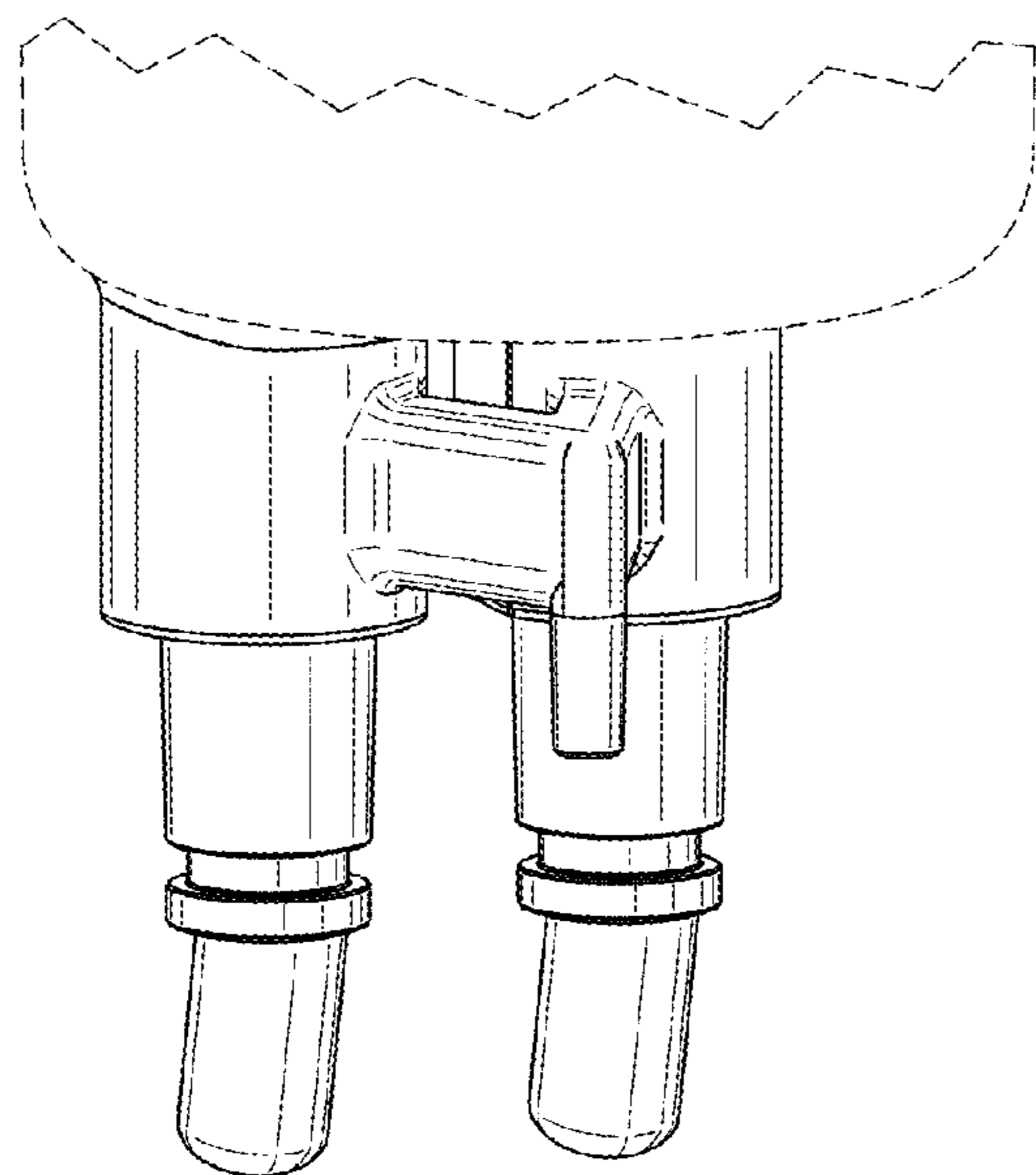


Fig. 1

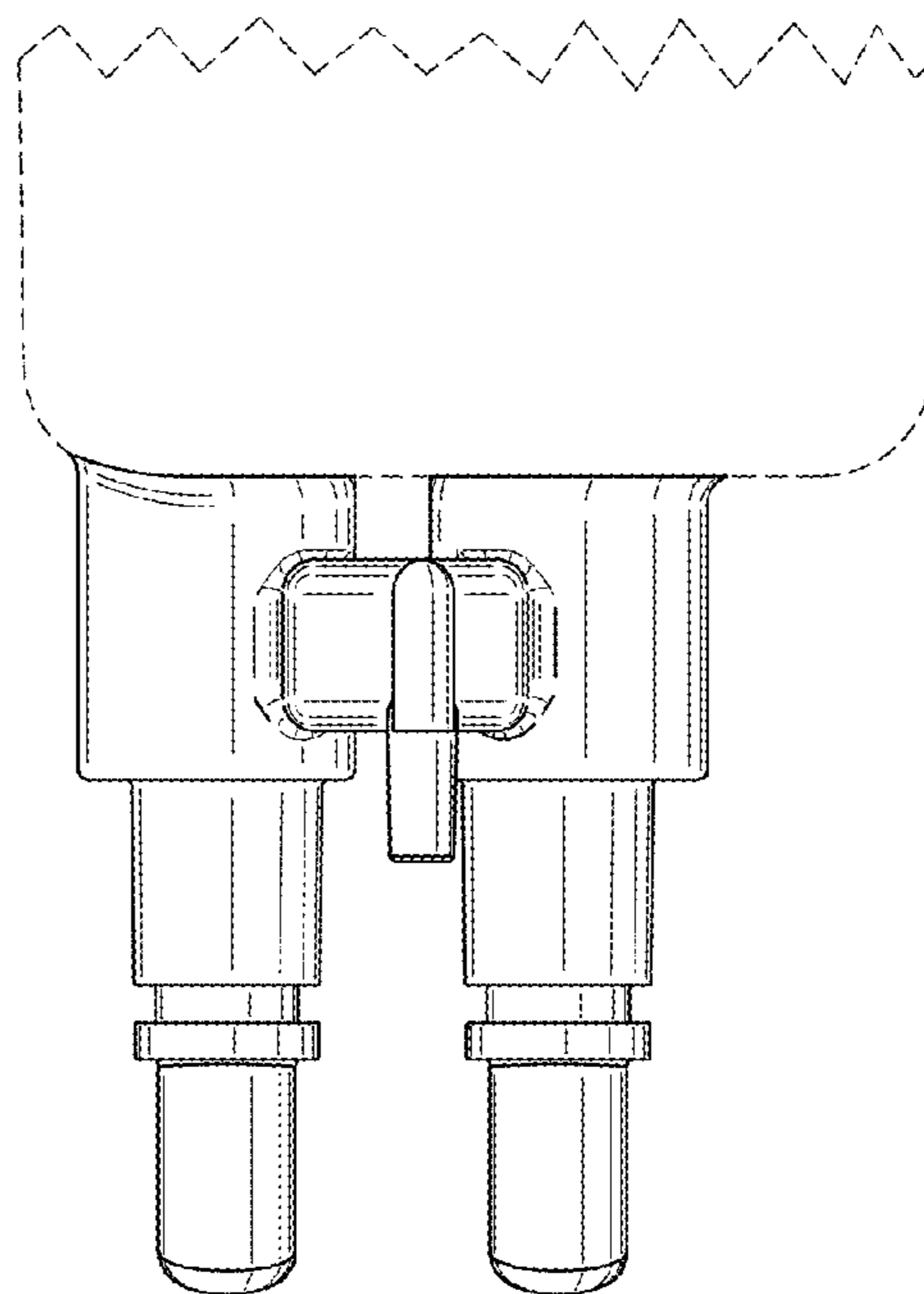


Fig. 2

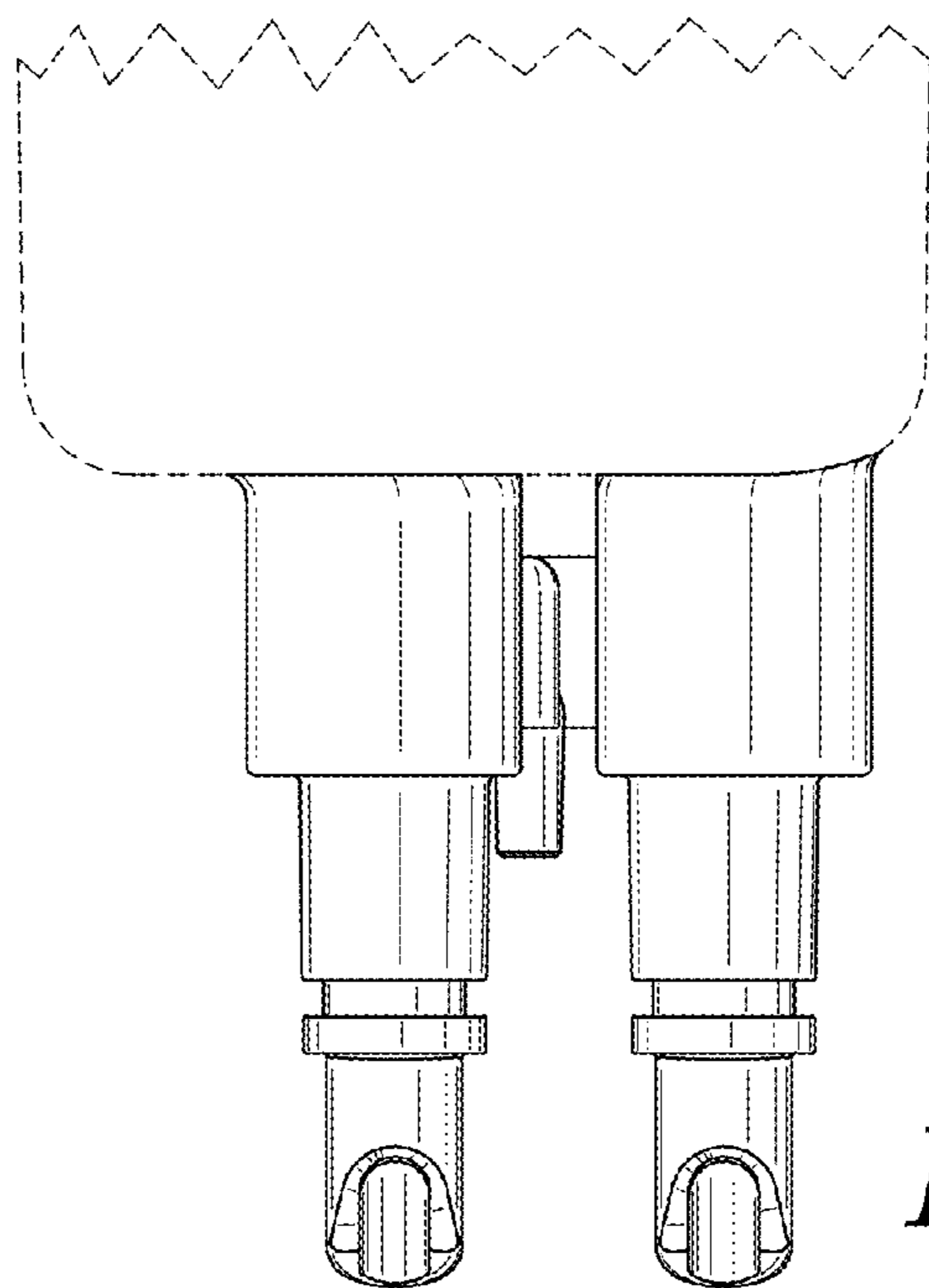


Fig. 3

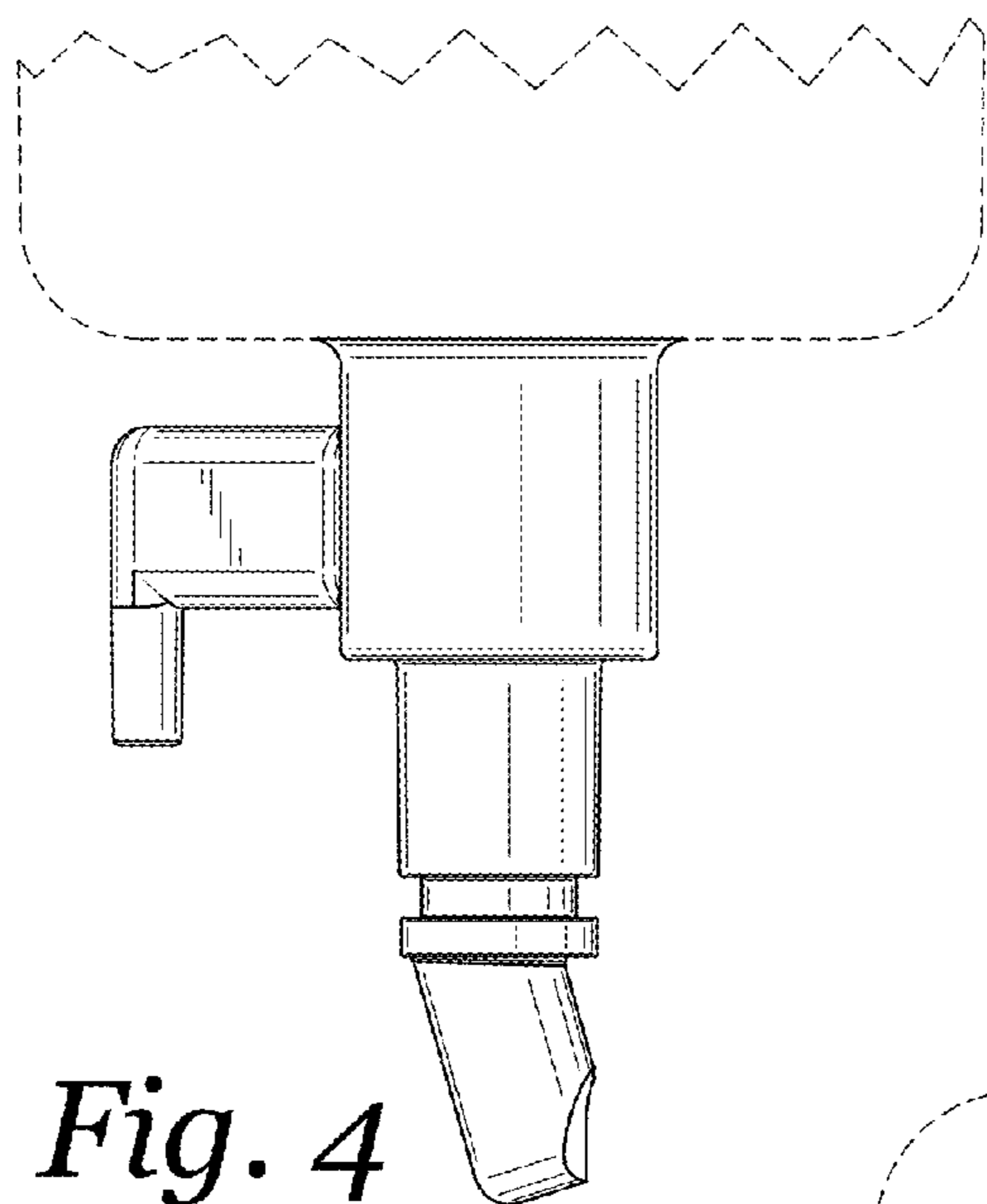


Fig. 4

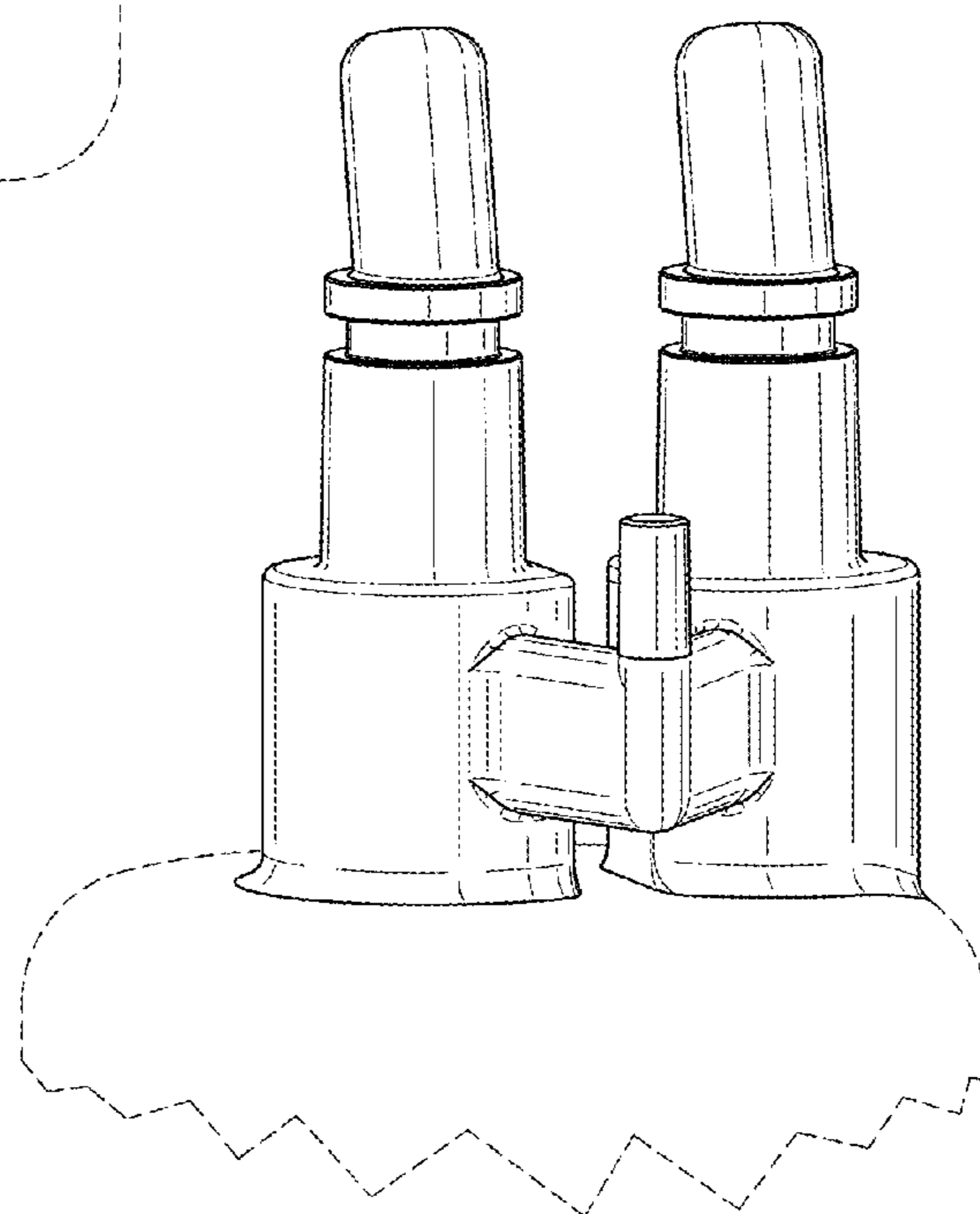


Fig. 5

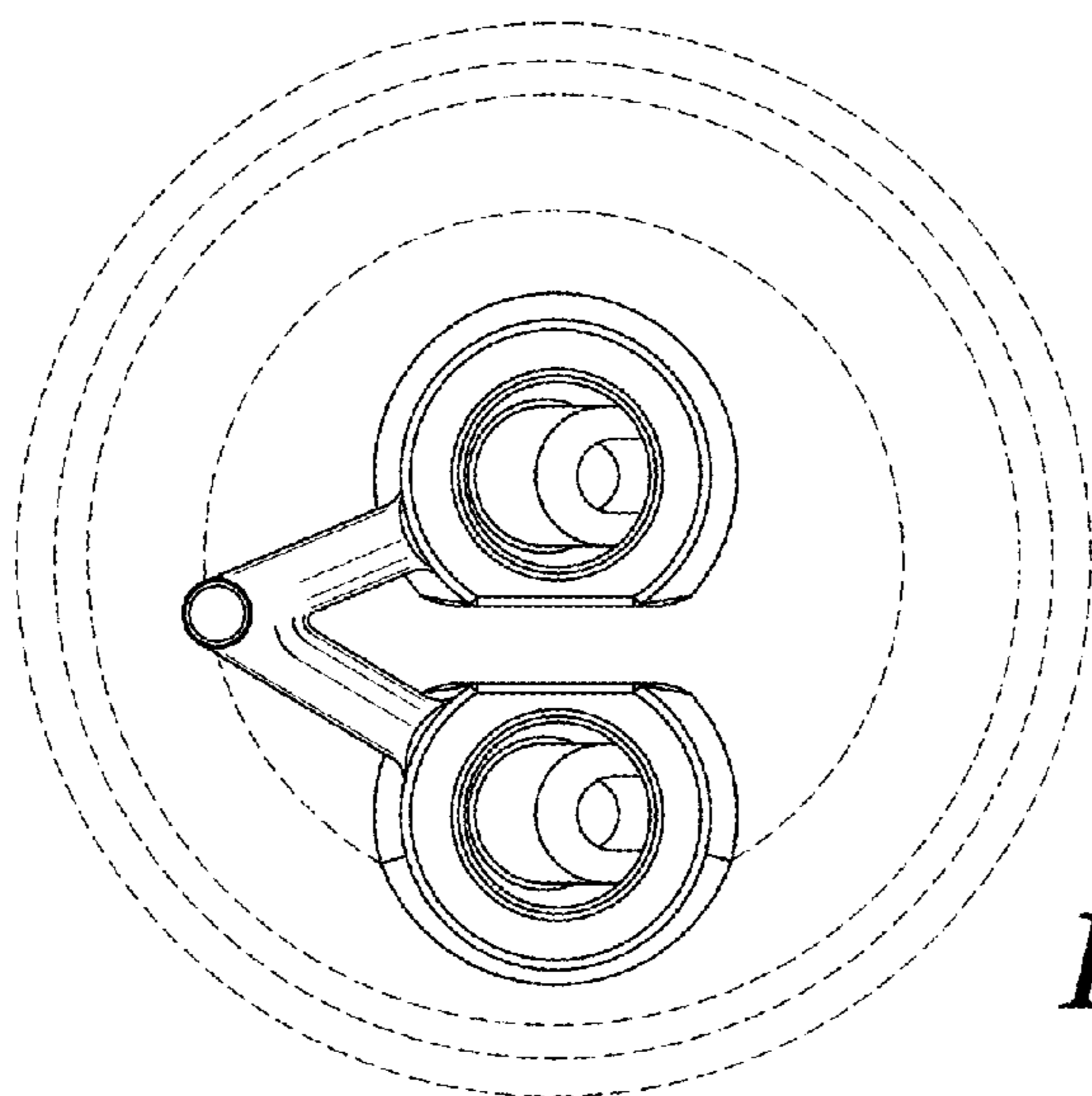


Fig. 6