



US00D759788S

(12) **United States Design Patent**
Wei et al.

(10) **Patent No.:** **US D759,788 S**
(45) **Date of Patent:** **** Jun. 21, 2016**

(54) **WATER PURIFICATION DEVICE**

- (71) Applicant: **Conopco, Inc.**, Englewood Cliffs, NJ
(US)
- (72) Inventors: **Zhang Wei**, Hangzhou (CN); **Chai Wei Hua**, Hangzhou (CN)
- (73) Assignee: **Conopco, Inc.**, Englewood Cliffs, NJ
(US)
- (**) Term: **14 Years**
- (21) Appl. No.: **29/518,477**
- (22) Filed: **Feb. 24, 2015**
- (30) **Foreign Application Priority Data**

Sep. 1, 2014 (EM) 002528794-0001

- (51) **LOC (10) Cl.** **23-01**
- (52) **U.S. Cl.**
USPC **D23/207**
- (58) **Field of Classification Search**
USPC D23/200, 207, 209; 210/340, 341
CPC B01D 35/12
See application file for complete search history.

(56) **References Cited**

U.S. PATENT DOCUMENTS

4,192,750 A *	3/1980	Elfes	B01D 29/15 210/133
D306,754 S *	3/1990	Petrucci	D23/209
D407,462 S *	3/1999	Bishop	D23/207
D547,826 S *	7/2007	Kennedy	D23/209
D547,827 S *	7/2007	Kennedy	D23/209
D610,650 S *	2/2010	Kulikov	D23/209
D668,741 S *	10/2012	Choi	D23/209

OTHER PUBLICATIONS

Co-pending Application: Applicant: Wei et al., Filed: Feb. 24, 2015.

* cited by examiner

Primary Examiner — Robin V Webster

(74) *Attorney, Agent, or Firm* — Greenberg Traurig, LLP

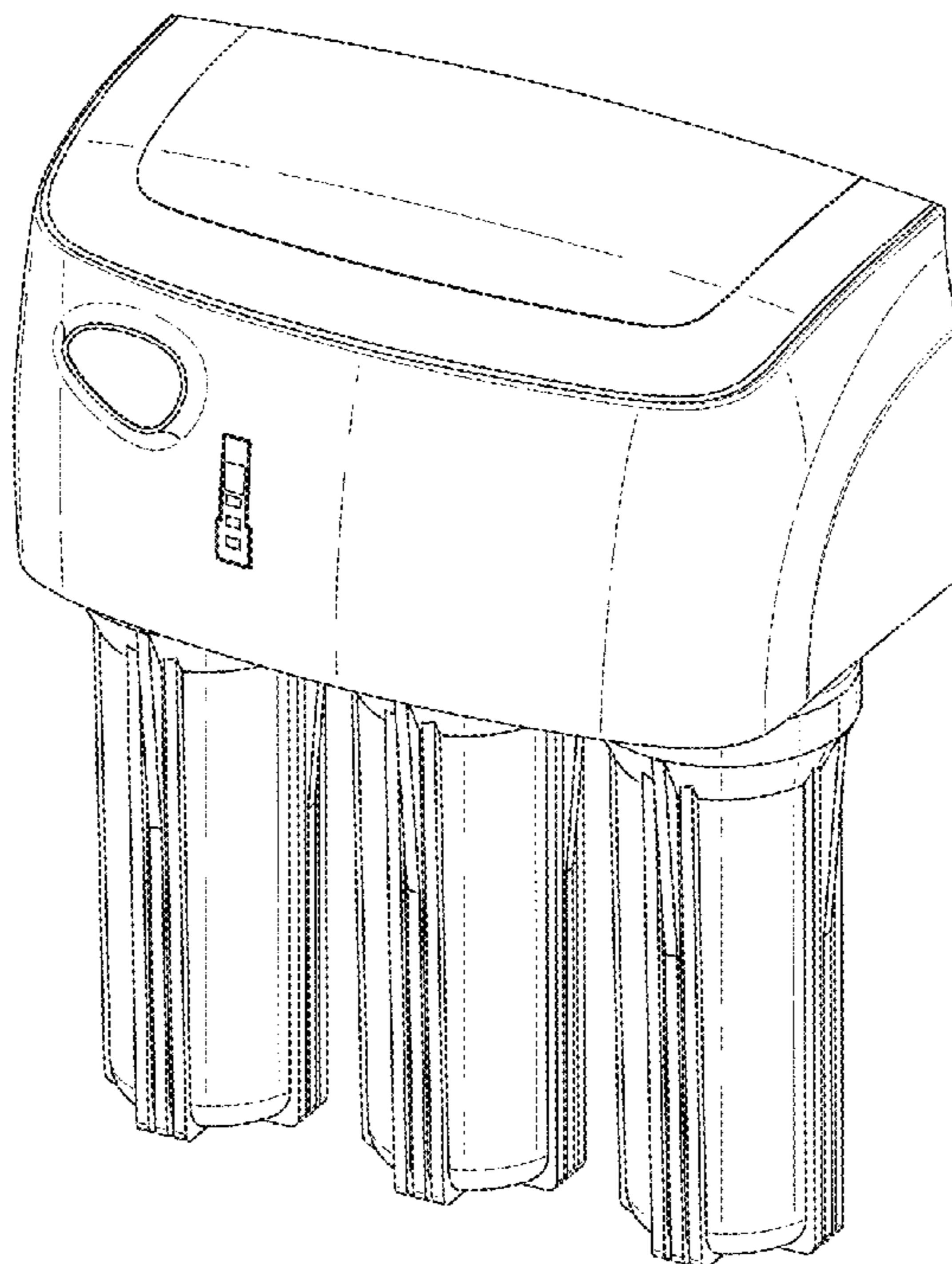
(57) **CLAIM**

The ornamental design for a water purification device, as shown and described.

DESCRIPTION

FIG. 1 is a front perspective view from top and right side of a water purification device showing our new design;
FIG. 2 is a front elevational view thereof;
FIG. 3 is a back elevational view thereof;
FIG. 4 is a right side elevational view thereof;
FIG. 5 is a left side elevational view thereof;
FIG. 6 is a top plan view thereof; and,
FIG. 7 is a bottom plan view thereof.

1 Claim, 5 Drawing Sheets



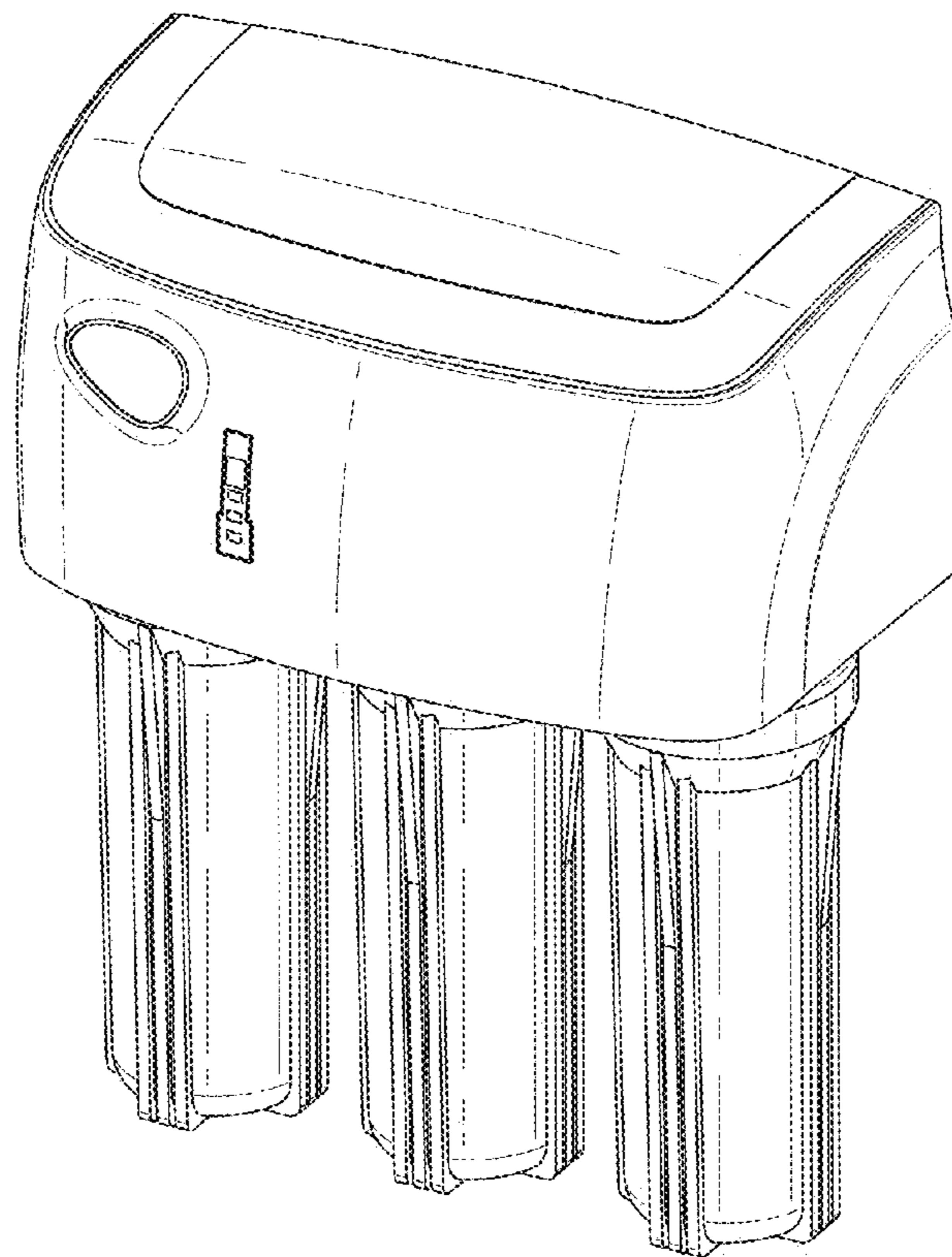


Fig. 1

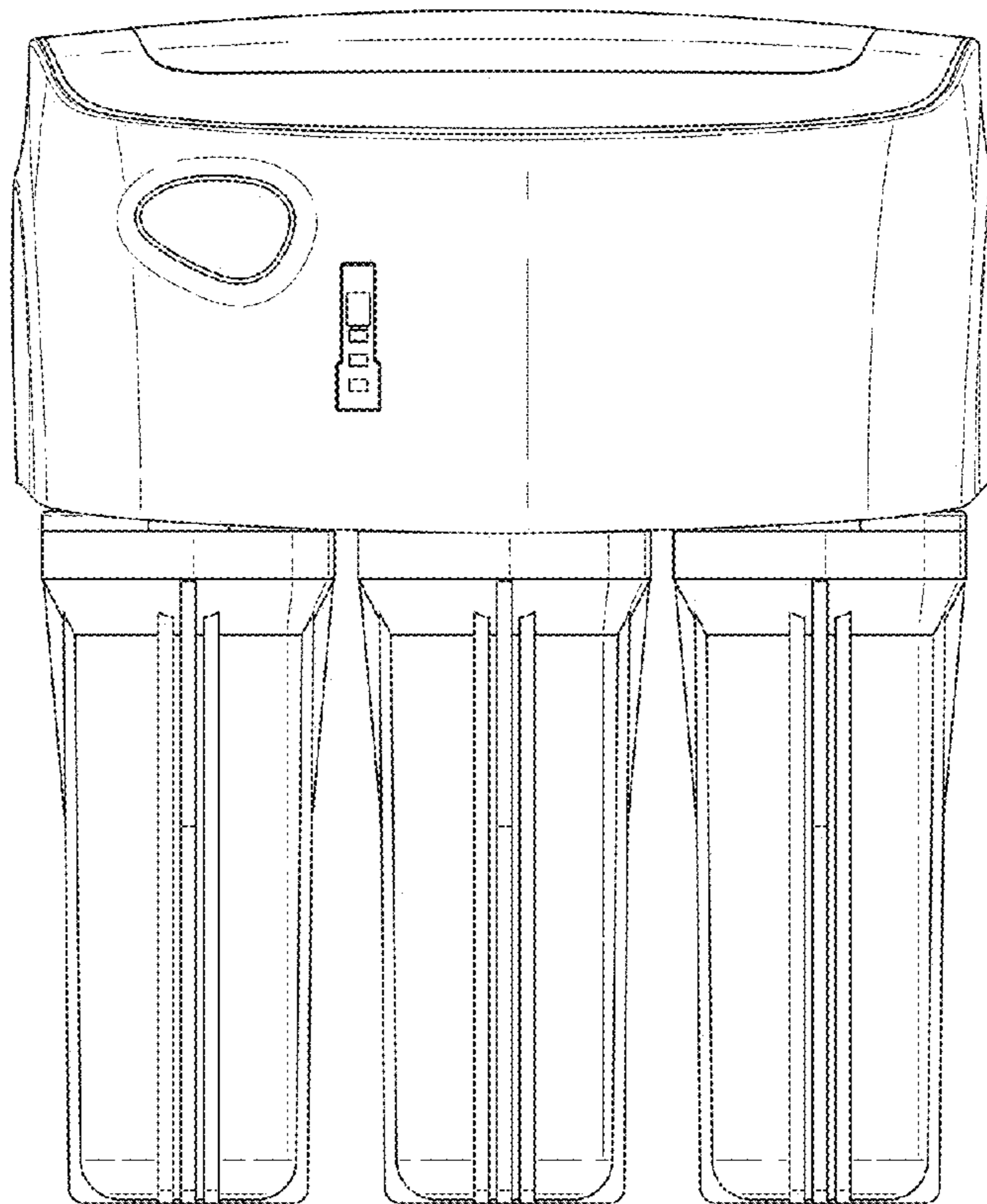


Fig. 2

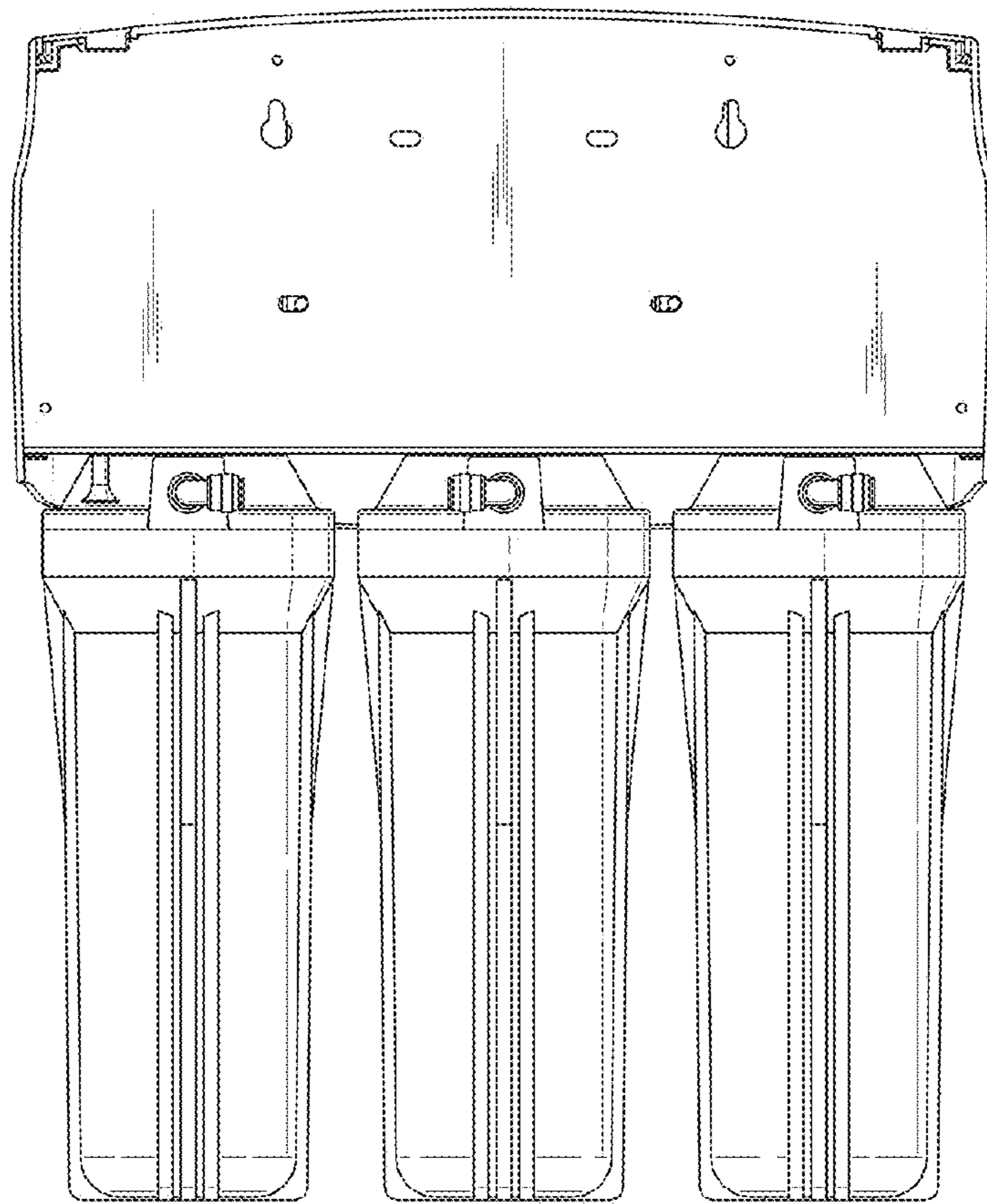


Fig. 3

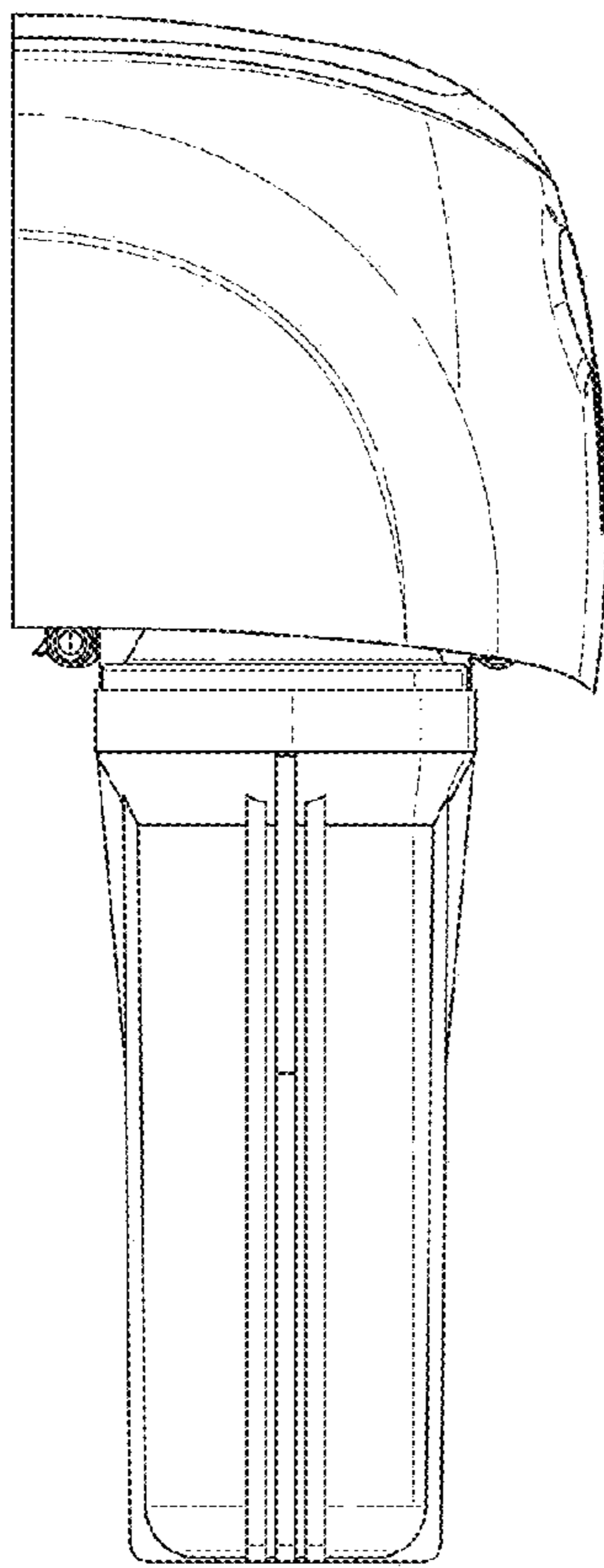


Fig. 4

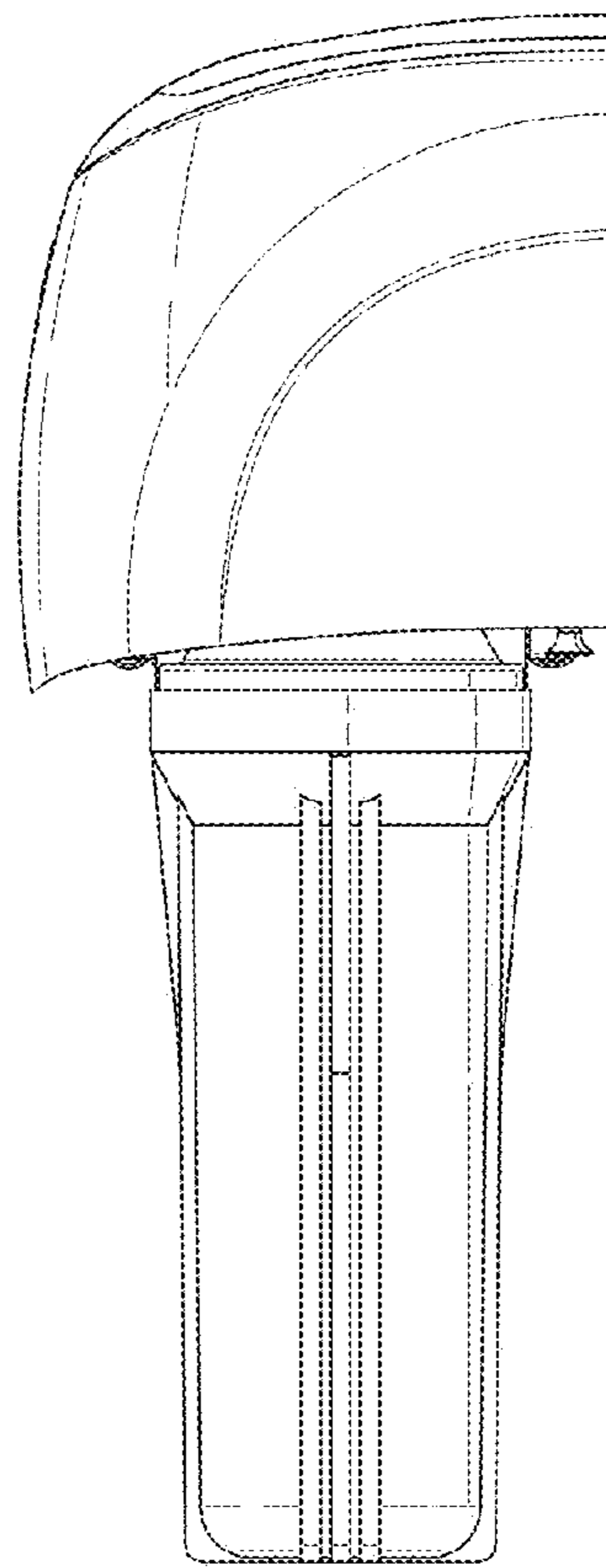


Fig. 5

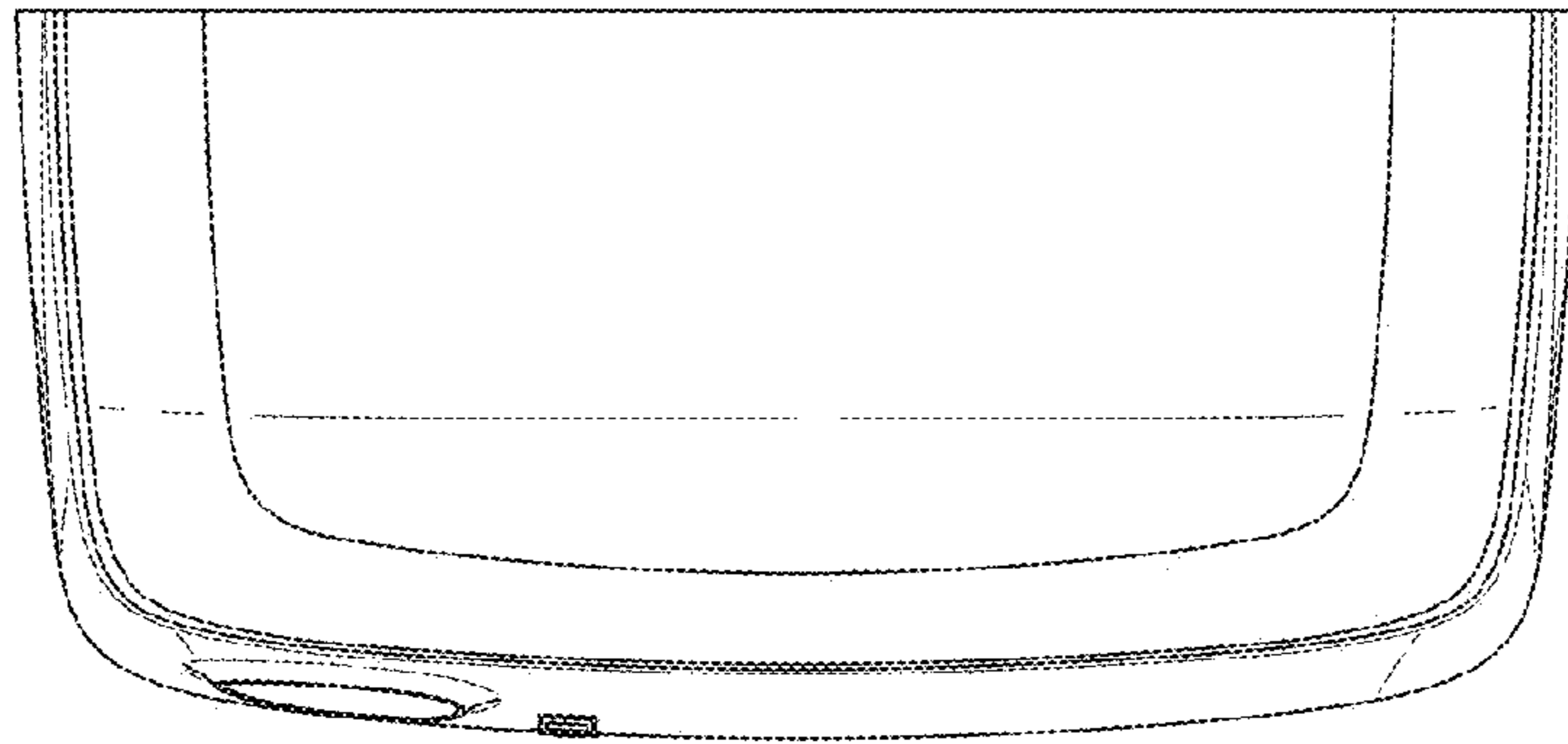


Fig. 6

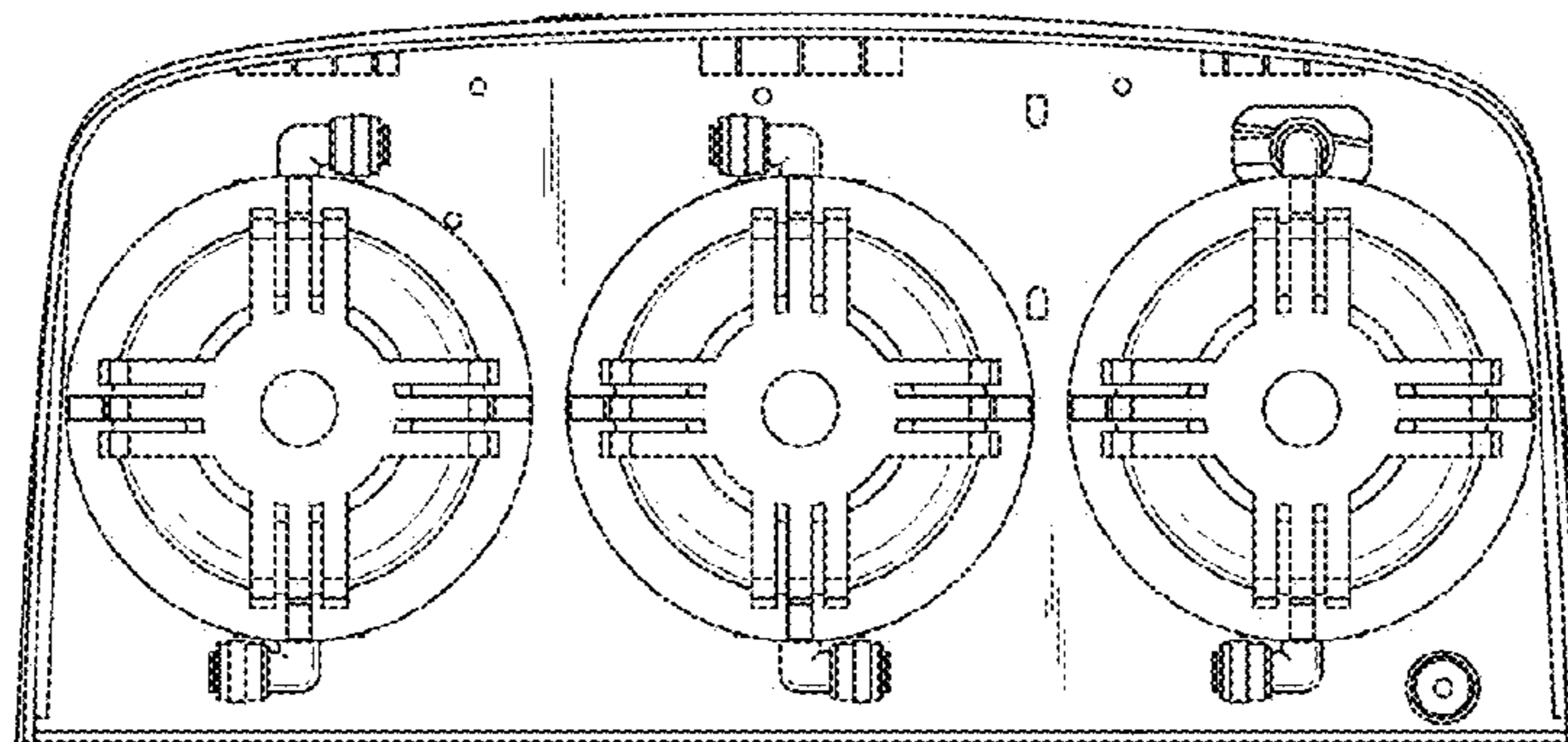


Fig. 7