



US00D759784S

(12) **United States Design Patent**  
**Wydner et al.**

(10) **Patent No.:** **US D759,784 S**  
(45) **Date of Patent:** **\*\* Jun. 21, 2016**

(54) **TREE STAND ACCESSORY COVER**

(71) Applicant: **The Hunter Safety System, Inc.,**  
Danville, AL (US)  
(72) Inventors: **Jerry Dale Wydner, Danville, AL (US);**  
**Johnny Doyle Wydner, Danville, AL**  
(US)  
(73) Assignee: **The Hunter Safety System, Inc.,**  
Danville, AL (US)  
(\*\*) Term: **14 Years**

(21) Appl. No.: **29/508,726**  
(22) Filed: **Nov. 10, 2014**  
(51) **LOC (10) Cl.** ..... **22-99**  
(52) **U.S. Cl.**  
USPC ..... **D22/199**  
(58) **Field of Classification Search**  
USPC ..... D22/199, 125; D11/121, 130; 428/11;  
116/148, 150, 155; 135/901  
CPC ..... A47G 33/08; G10K 1/10  
See application file for complete search history.

(56) **References Cited**

U.S. PATENT DOCUMENTS

1,979,887 A \* 11/1934 Kranz ..... A47G 33/08  
428/11  
2,800,870 A \* 7/1957 Garthwait, Jr. .... G10K 1/10  
116/155  
D735,600 S \* 8/2015 Turner ..... D11/130

\* cited by examiner

*Primary Examiner* — Catheri Oliver-Garcia

(74) *Attorney, Agent, or Firm* — Stephen H. Hall; Bradley Arant Boult Cummings LLP

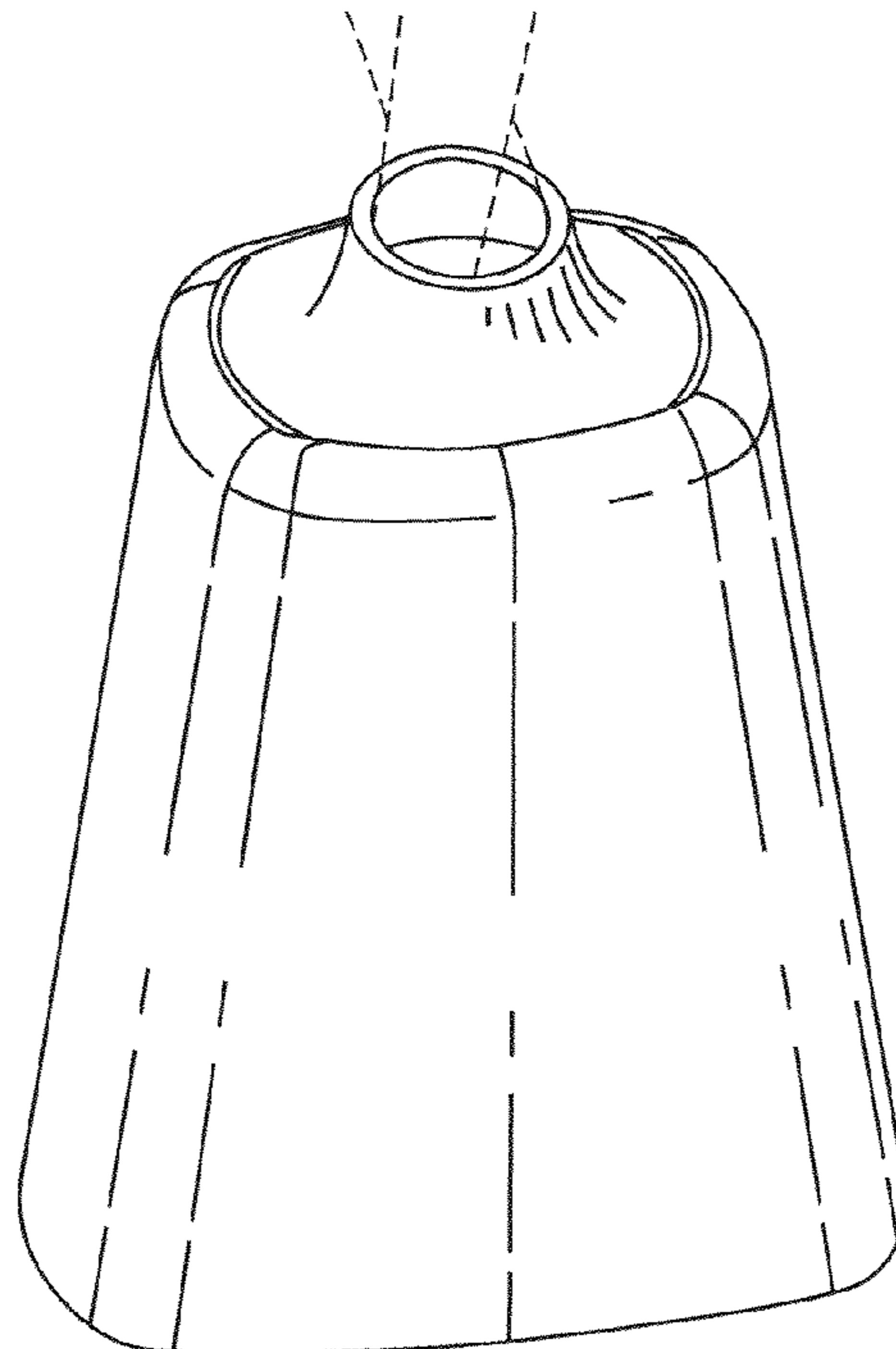
(57) **CLAIM**

The ornamental design for a tree stand accessory cover, as shown and described.

**DESCRIPTION**

FIG. 1 is a top and front perspective view of a first embodiment of the tree stand accessory cover having flared sides; FIG. 2 is a bottom and front perspective view thereof; FIG. 3 is a top plan view thereof; FIG. 4 is a front elevation view thereof; FIG. 5 is a bottom plan view thereof; FIG. 6 is a rear elevation view thereof; and, FIG. 7 is a top and front perspective view of a second embodiment of the tree stand accessory cover having non flared sides. All other views being the same as shown in the first embodiment. The broken lines depict environment and are included for the purpose of illustrating only and form no part of the claimed design.

**1 Claim, 4 Drawing Sheets**



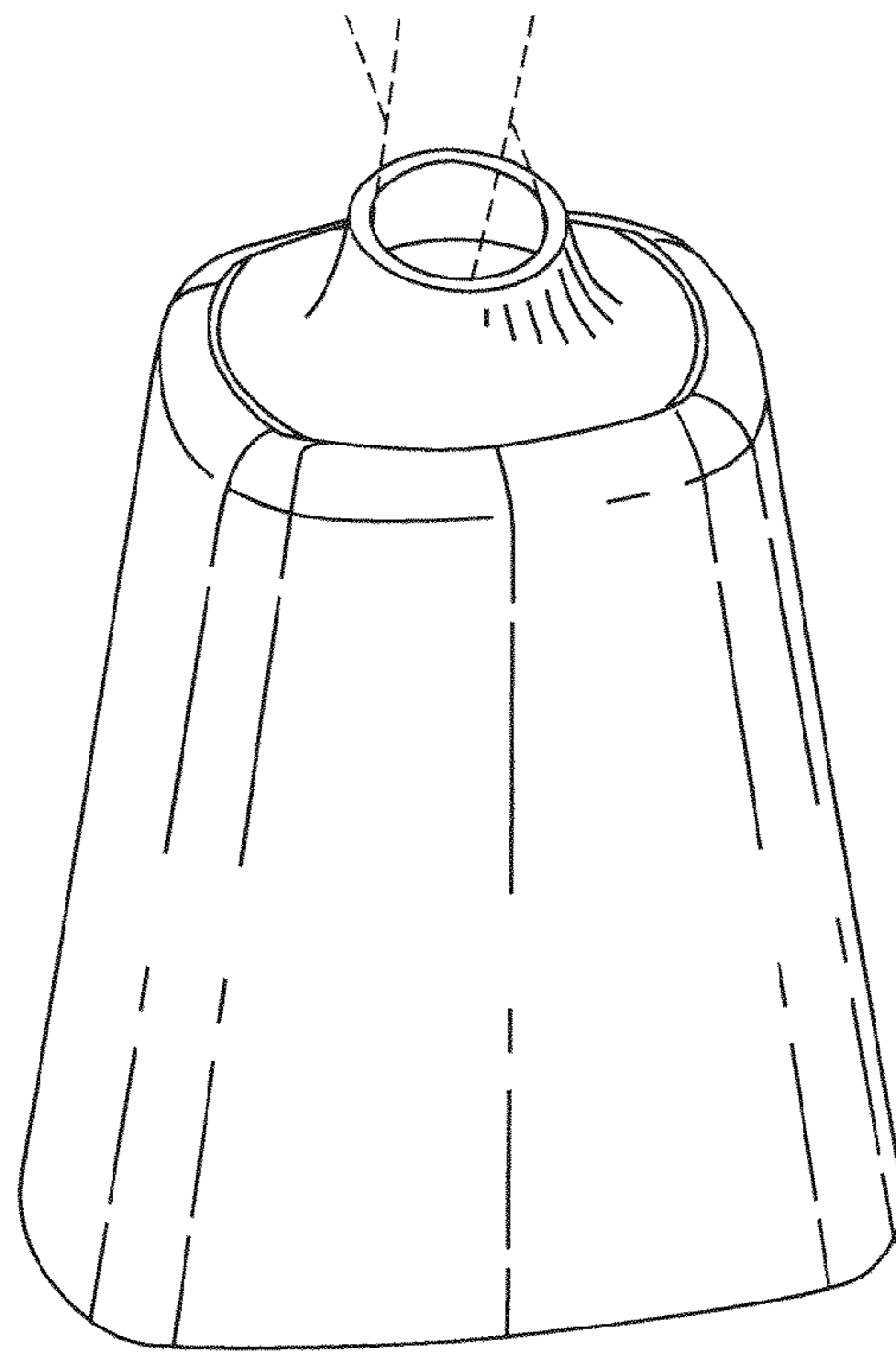


Figure 1

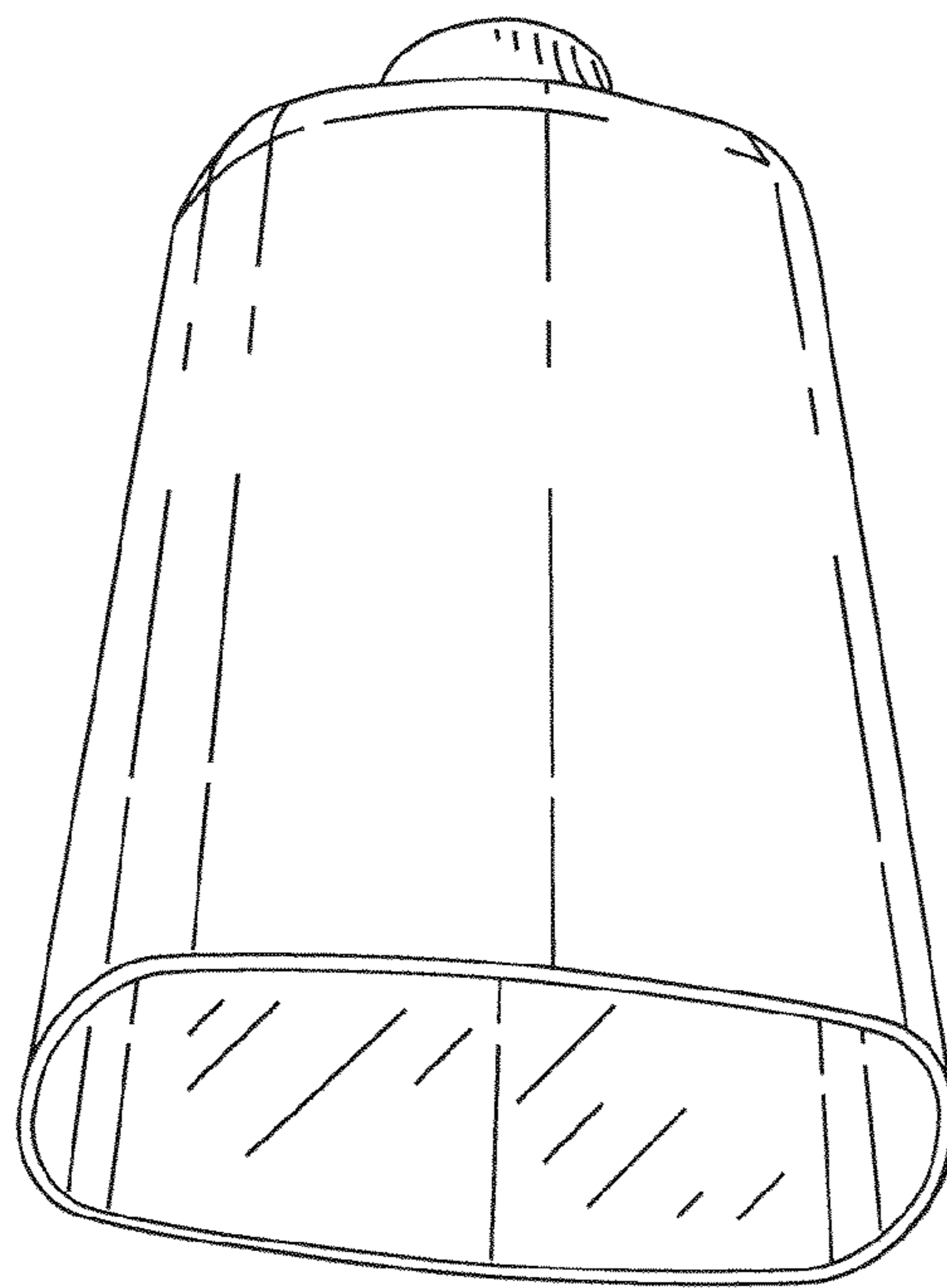


Figure 2

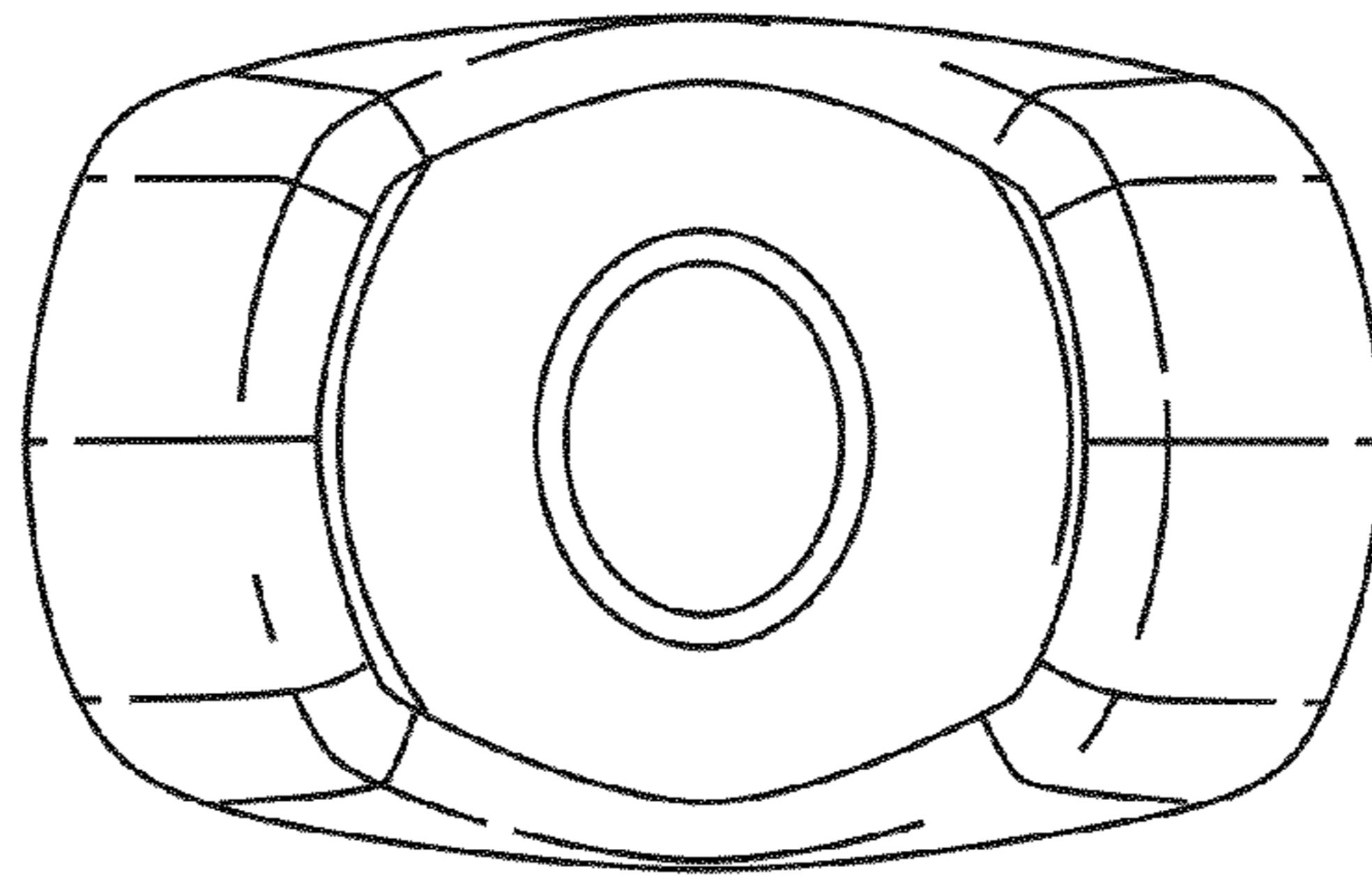


Figure 3

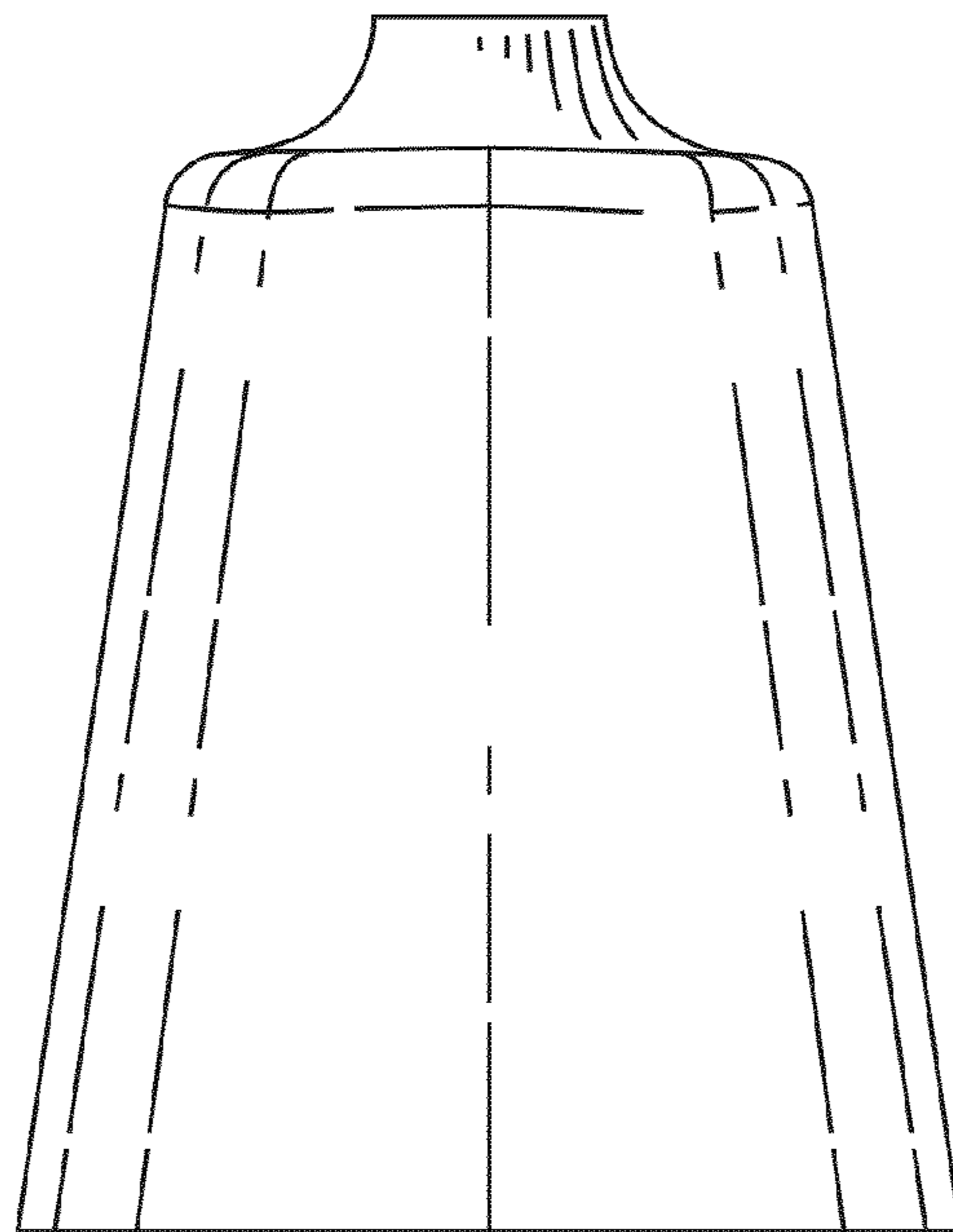


Figure 4

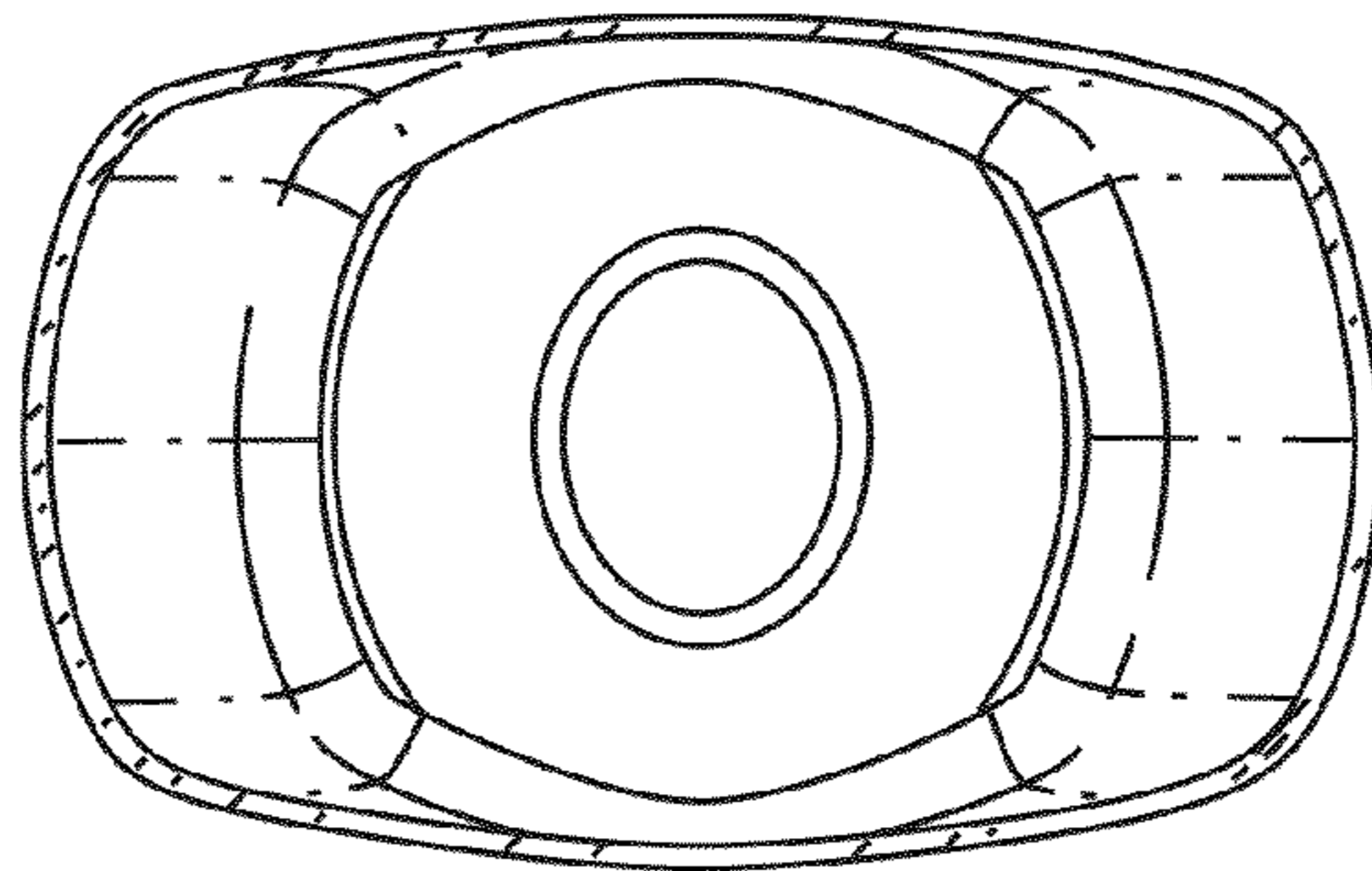


Figure 5

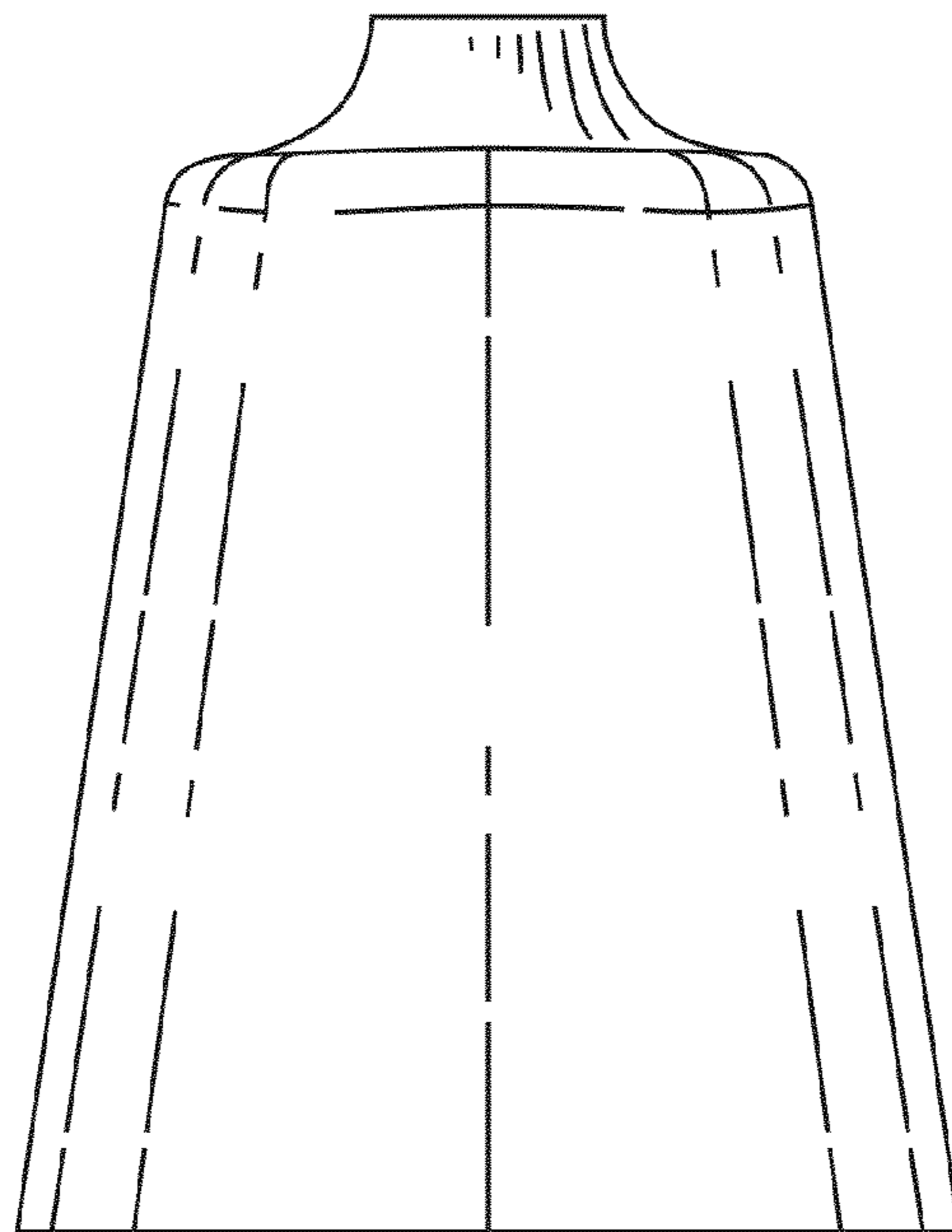


Figure 6

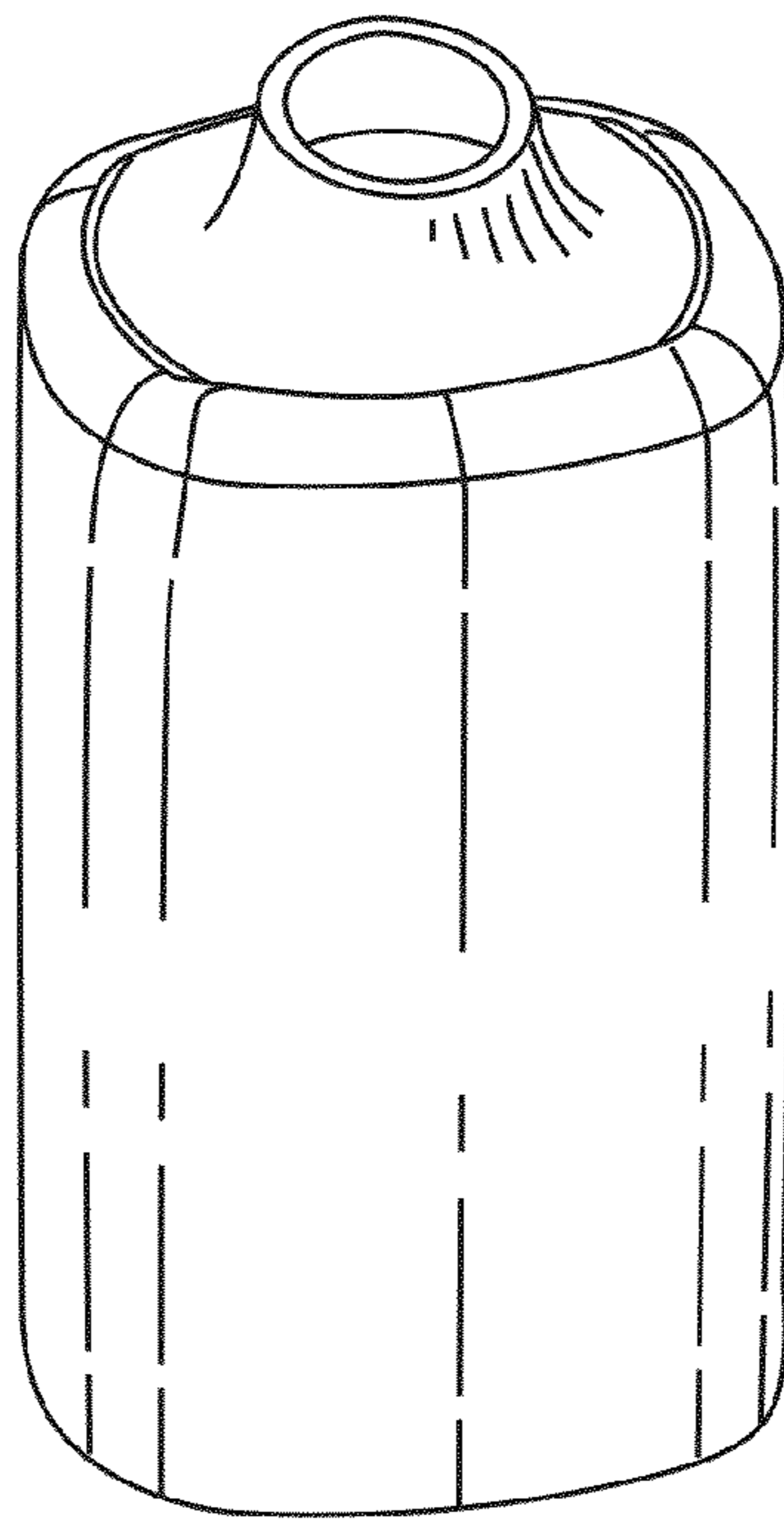


Figure 7