



US00D759782S

(12) **United States Design Patent**  
**Short**

(10) **Patent No.:** **US D759,782 S**  
(45) **Date of Patent:** **\*\* Jun. 21, 2016**

(54) **REVERSIBLE PLANAR BOARD FOR FISHING LINES**

(71) Applicant: **Kenneth W. Short**, Moneta, VA (US)

(72) Inventor: **Kenneth W. Short**, Moneta, VA (US)

(\*\*) Term: **14 Years**

(21) Appl. No.: **29/514,728**

(22) Filed: **Jan. 15, 2015**

(51) **LOC (10) Cl.** ..... **22-05**

(52) **U.S. Cl.**  
USPC ..... **D22/134**

(58) **Field of Classification Search**

USPC ..... D22/134, 199; 43/19.2, 26.1  
CPC ..... A01K 91/065  
See application file for complete search history.

(56) **References Cited**

**U.S. PATENT DOCUMENTS**

4,932,151 A *	6/1990	Cicha .....	A01K 91/065 43/26.1
D376,190 S *	12/1996	Van Horn, Jr. ....	D22/134
D587,337 S *	2/2009	Loftis .....	D22/134
D736,342 S *	8/2015	Flanagan .....	D22/134

**OTHER PUBLICATIONS**

One (1) page webpage printout from “fishusa.com” showing “Big Jon Otter In-Line Planer Board”, printout is dated Mar. 27, 2014.

\* cited by examiner

*Primary Examiner* — Catheri Oliver-Garcia

(74) *Attorney, Agent, or Firm* — Blake P. Hurt; Tuggle Duggins P.A.

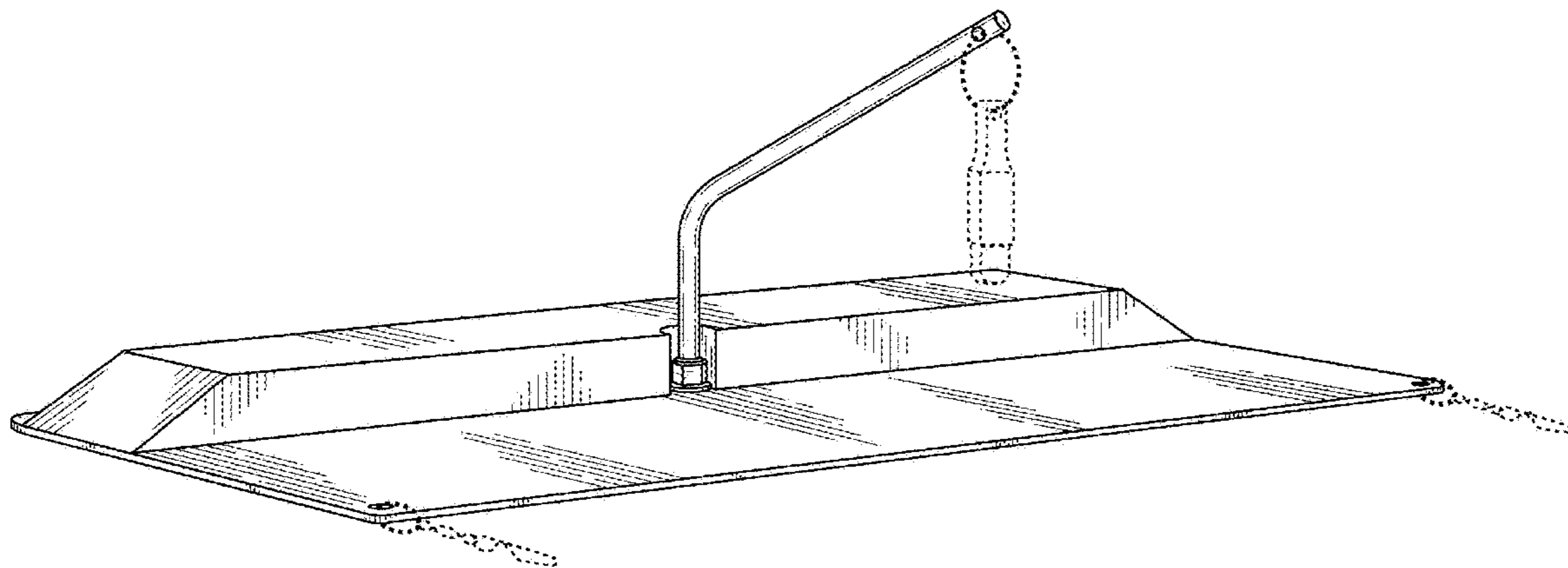
(57) **CLAIM**

The ornamental design for a reversible planar board for fishing lines, as shown and described.

**DESCRIPTION**

FIG. 1 is a top, front, left side perspective view of a reversible planar board for fishing lines showing my new design; FIG. 2 is a top plan view thereof; FIG. 3 is a bottom plan view thereof; FIG. 4 is a front elevational view thereof; FIG. 5 is a rear elevational view thereof; and, FIG. 6 is a left side elevational view thereof, the right side elevational view being a mirror image thereof. The broken lines in FIG. 1 are for environmental purposes only and form no part of the claimed design.

**1 Claim, 6 Drawing Sheets**



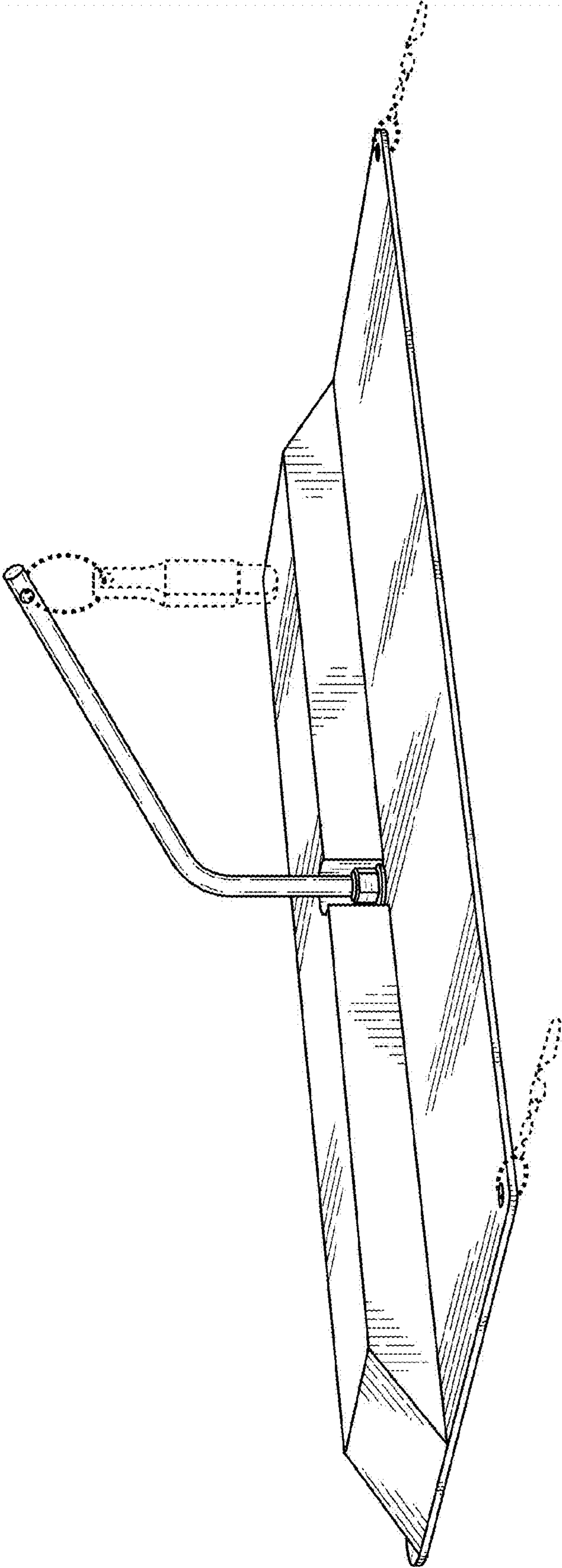


Fig. 1

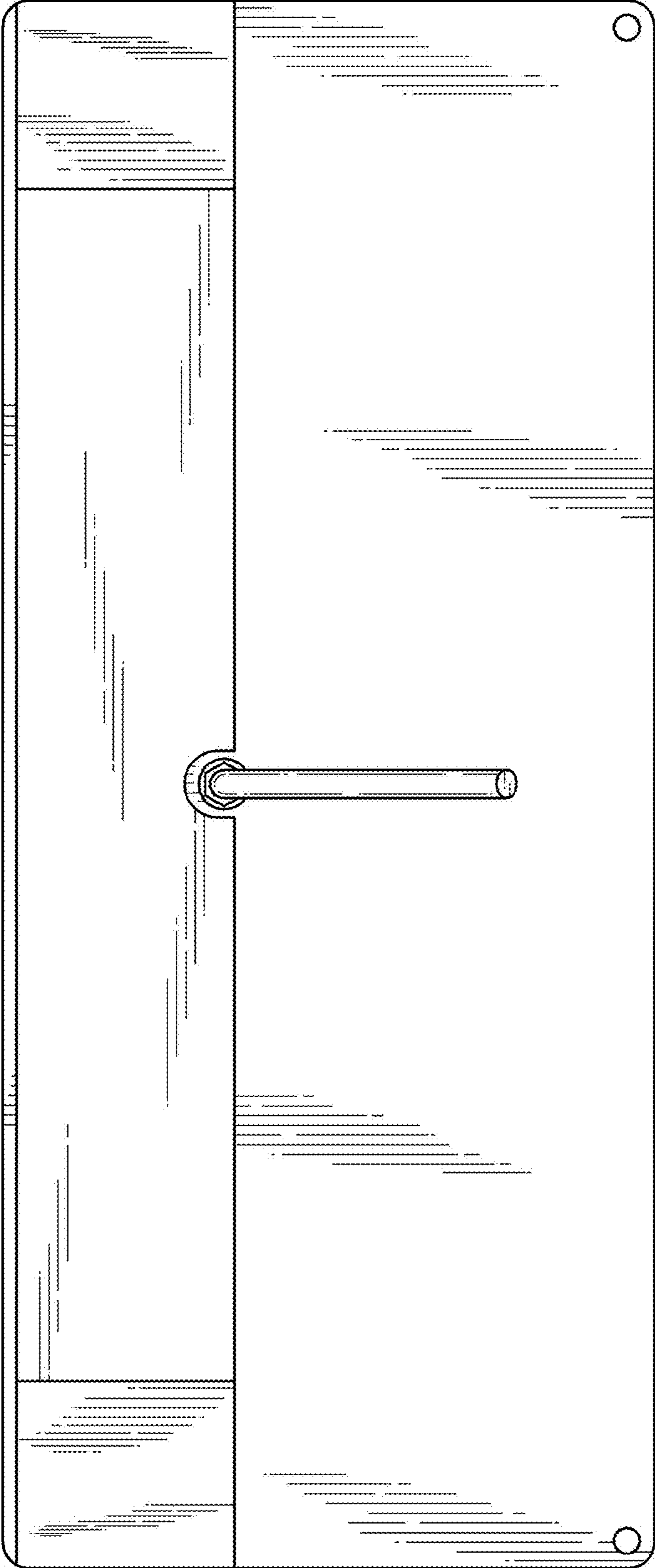


Fig. 2

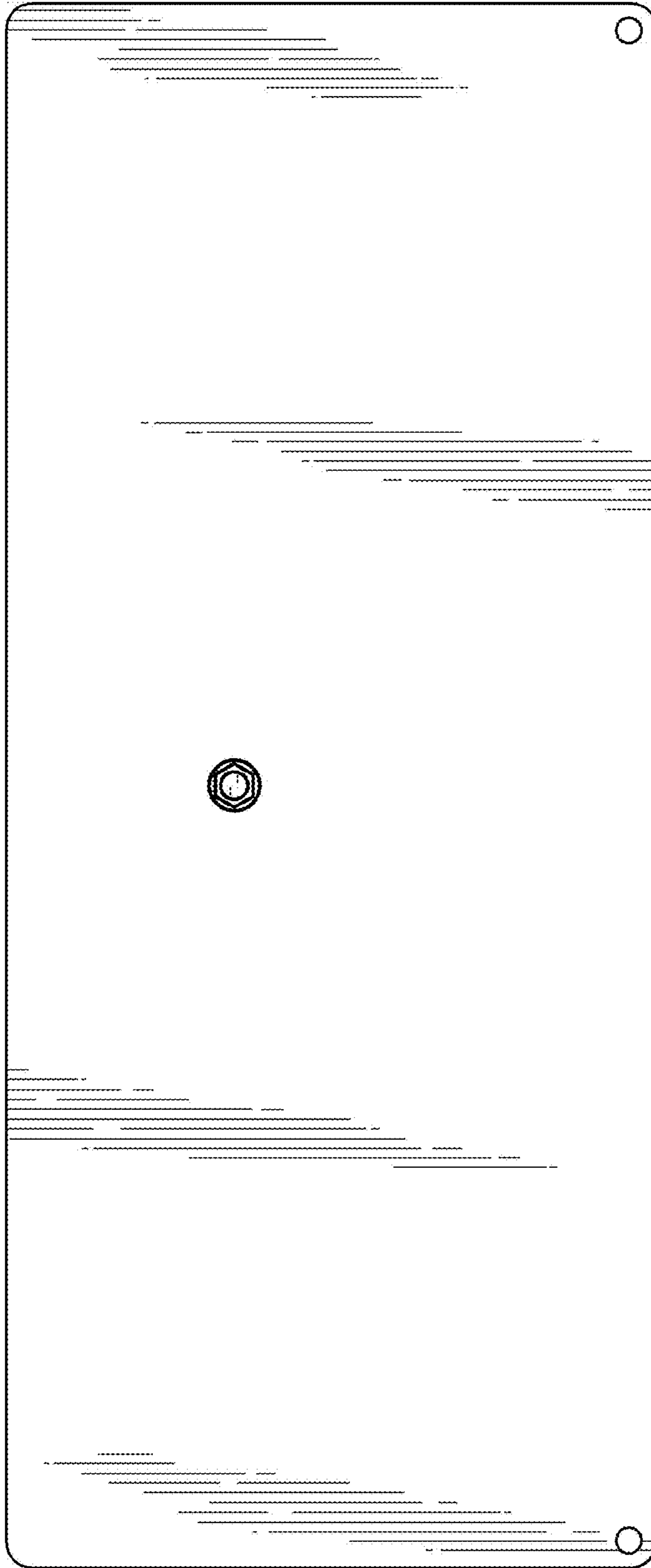


Fig. 3

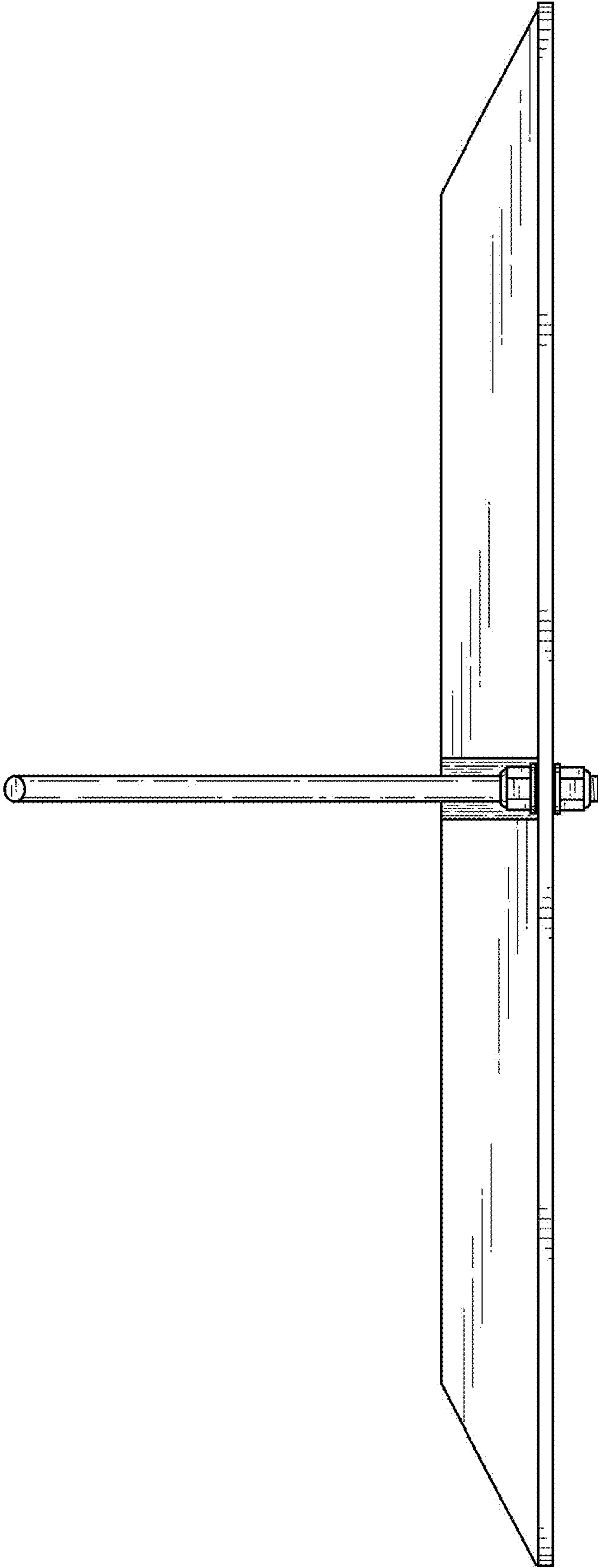


Fig. 4

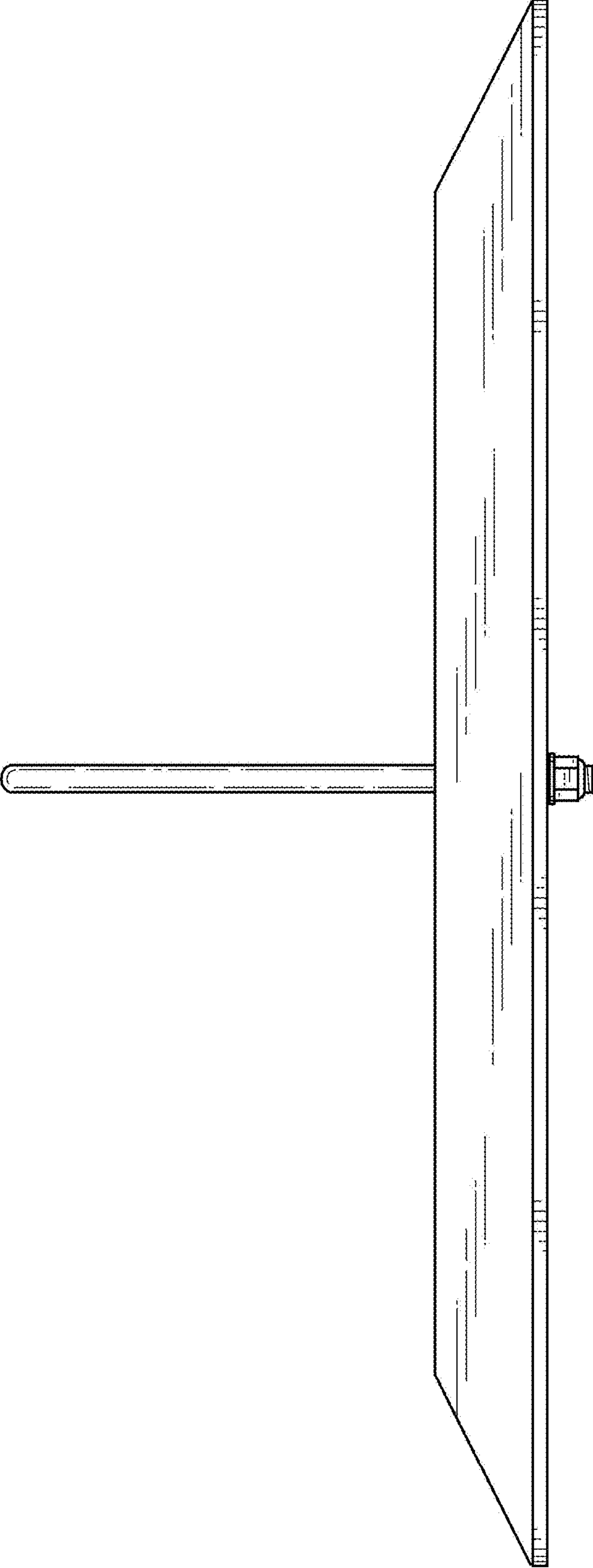


Fig. 5

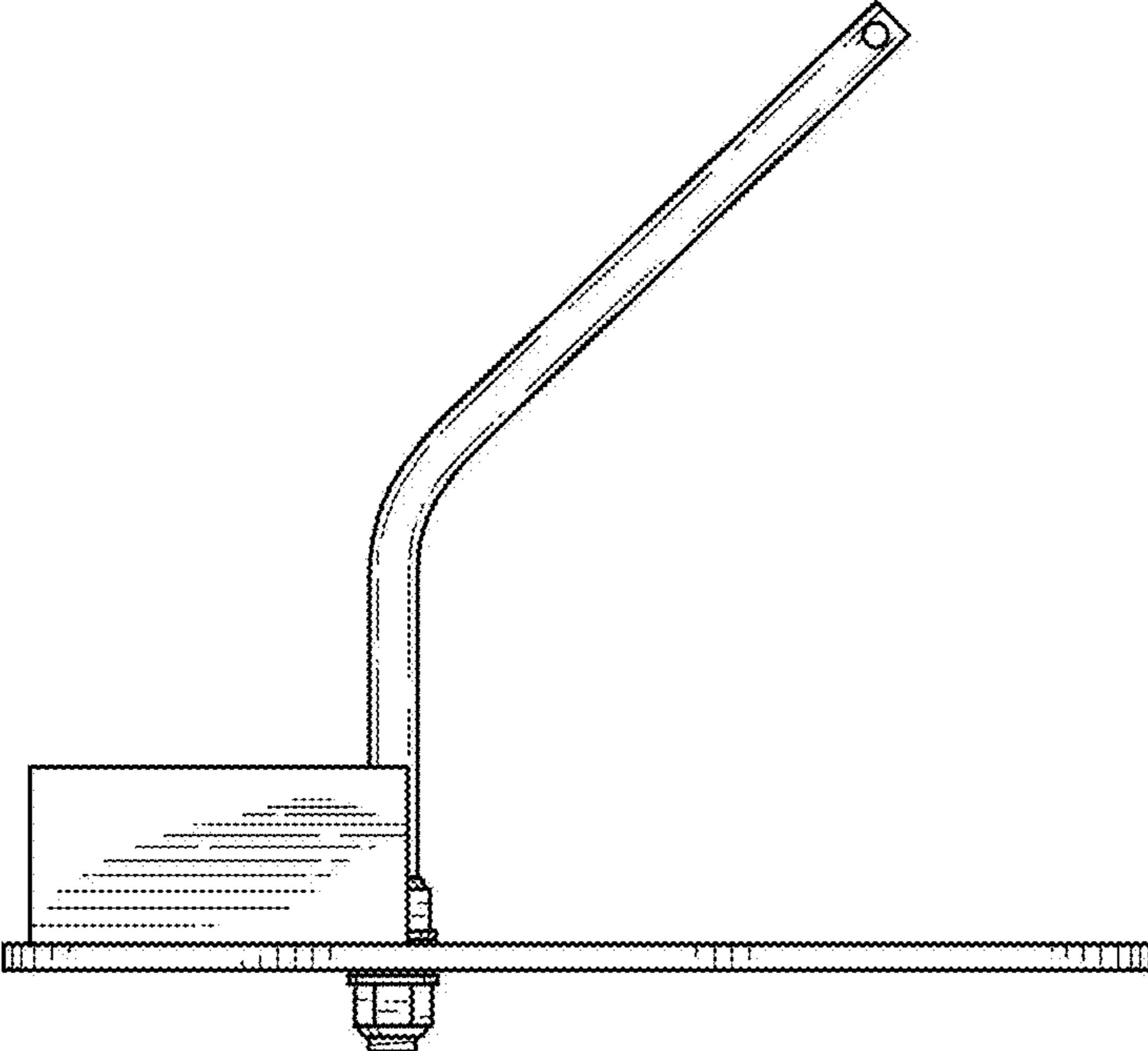


Fig. 6