



US00D759780S

(12) **United States Design Patent**  
**Wang**

(10) **Patent No.:** **US D759,780 S**

(45) **Date of Patent:** **\*\* Jun. 21, 2016**

- (54) **LOW DRAG FORWARD ASSIST**
- (71) Applicant: **Roger Wang**, Pacific Palisades, CA (US)
- (72) Inventor: **Roger Wang**, Pacific Palisades, CA (US)
- (\*\*) Term: **14 Years**
- (21) Appl. No.: **29/515,022**
- (22) Filed: **Jan. 20, 2015**
- (51) **LOC (10) Cl.** ..... **22-01**
- (52) **U.S. Cl.**  
USPC ..... **D22/108**
- (58) **Field of Classification Search**  
USPC ..... D22/103, 108; D21/572-575  
CPC ..... F41C 23/10; F41C 23/14; F41C 23/16;  
F41C 23/18  
See application file for complete search history.

9,134,082	B2 *	9/2015	Brown	.....	F41A 5/18
9,279,628	B1 *	3/2016	Pollack	.....	F41A 3/12
2009/0000173	A1 *	1/2009	Robinson	.....	F41A 3/26 42/75.02
2015/0192376	A1 *	7/2015	Dickinson	.....	F41A 3/72 89/1.4
2016/0091271	A1 *	3/2016	Seymore	.....	F41A 33/00 42/16

\* cited by examiner

*Primary Examiner* — Michael A Pratt

(74) *Attorney, Agent, or Firm* — Shaddock Law Group, PC

(56) **References Cited**

U.S. PATENT DOCUMENTS

8,210,089	B2 *	7/2012	Brown	.....	F41A 5/18 89/191.02
8,590,199	B2 *	11/2013	Overstreet	.....	F41A 3/12 42/69.02
8,826,797	B2 *	9/2014	Overstreet	.....	F41A 3/12 89/128

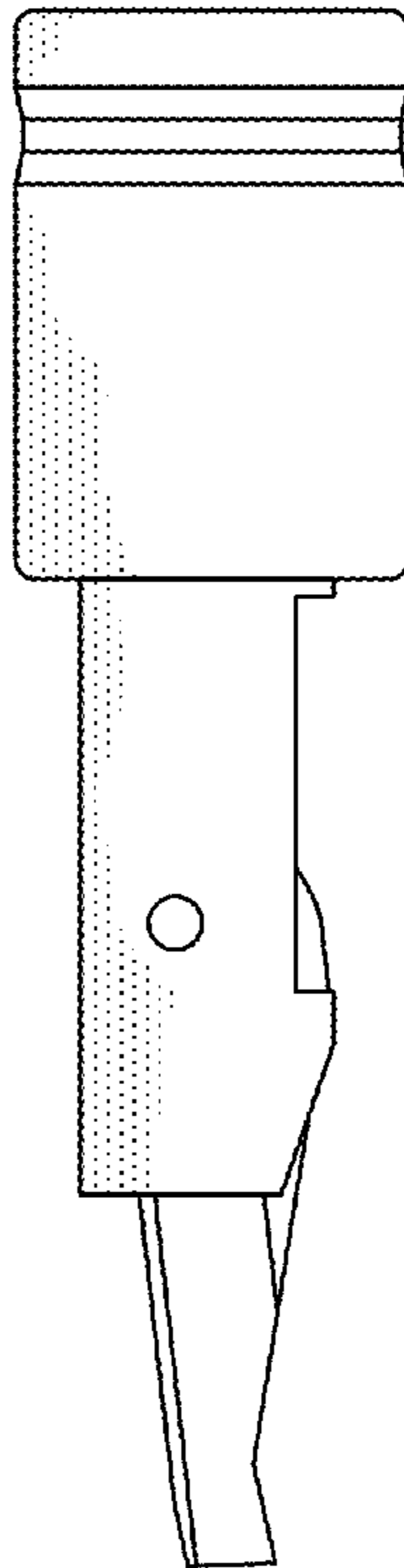
(57) **CLAIM**

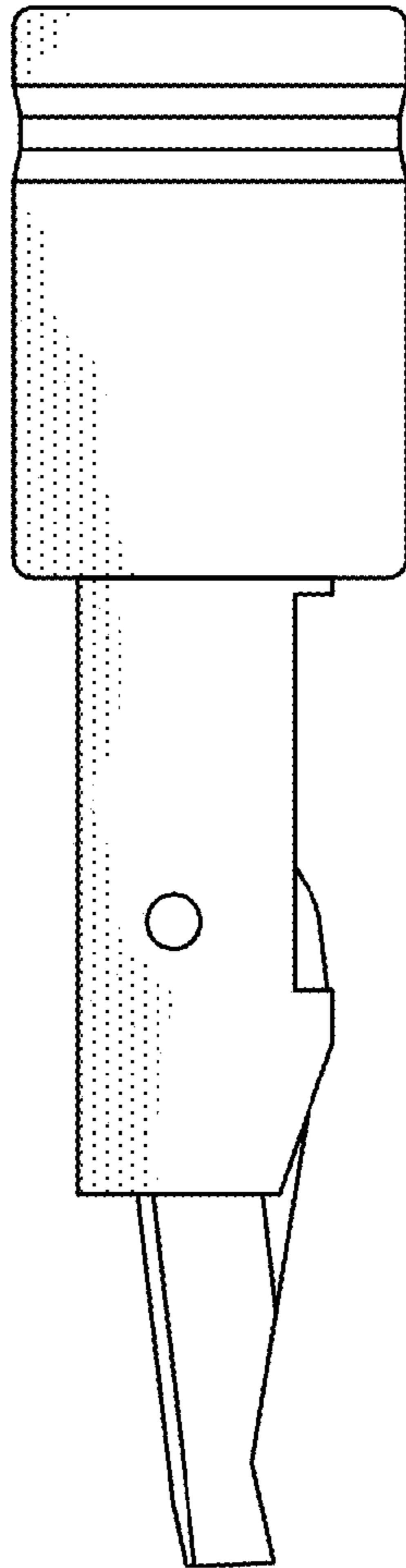
The ornamental design for a low drag forward assist, as shown and described.

**DESCRIPTION**

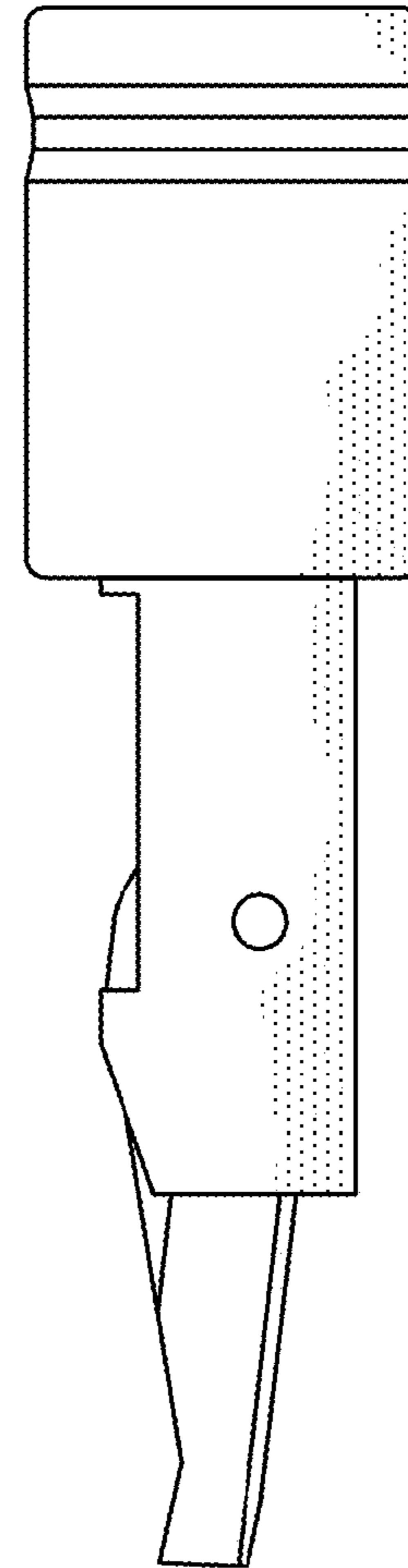
FIG. 1 is left side view of an exemplary embodiment of the low drag forward assist, showing my new design;  
 FIG. 2 is a right side view thereof;  
 FIG. 3 is a rear view thereof;  
 FIG. 4 is a front view thereof;  
 FIG. 5 is a top plan view thereof; and,  
 FIG. 6 is a bottom plan view thereof.

**1 Claim, 3 Drawing Sheets**

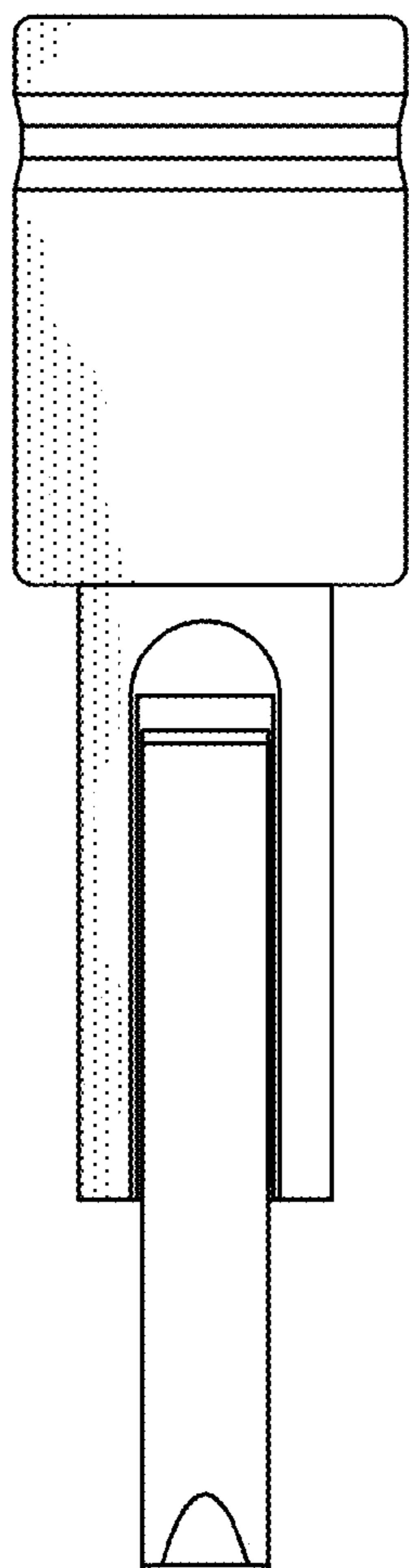




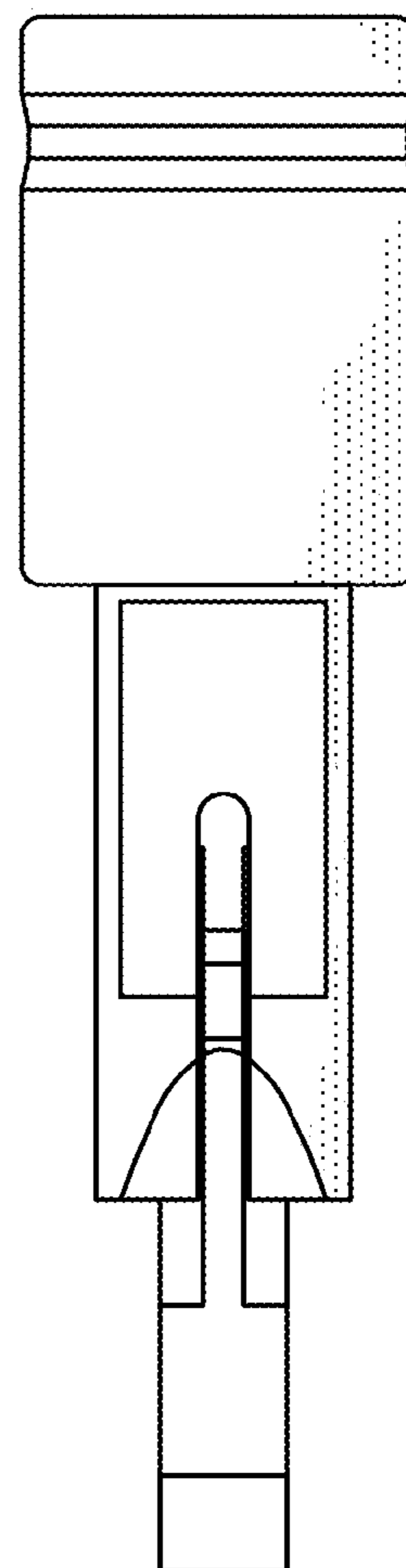
**FIG. 1**



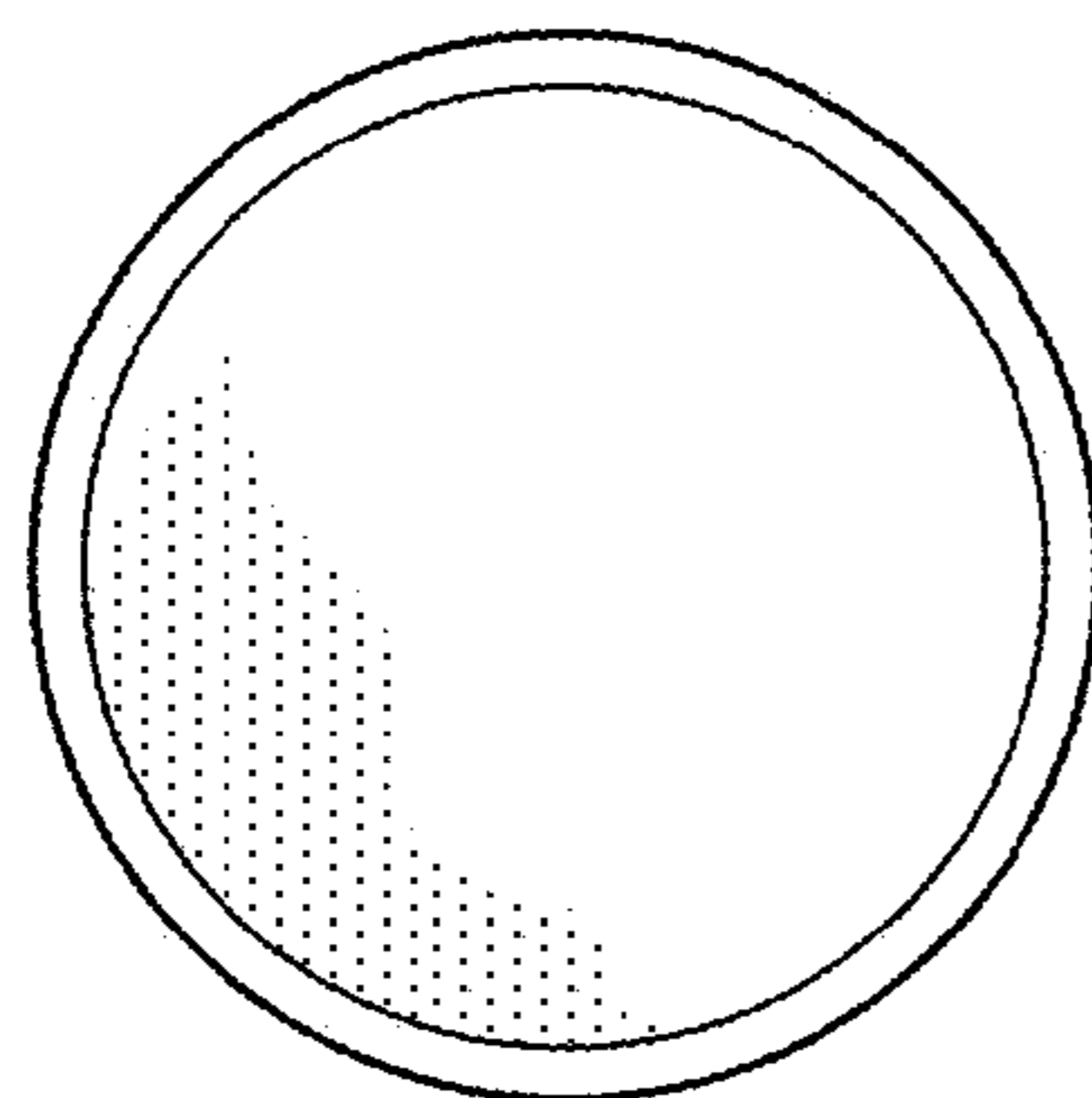
**FIG. 2**



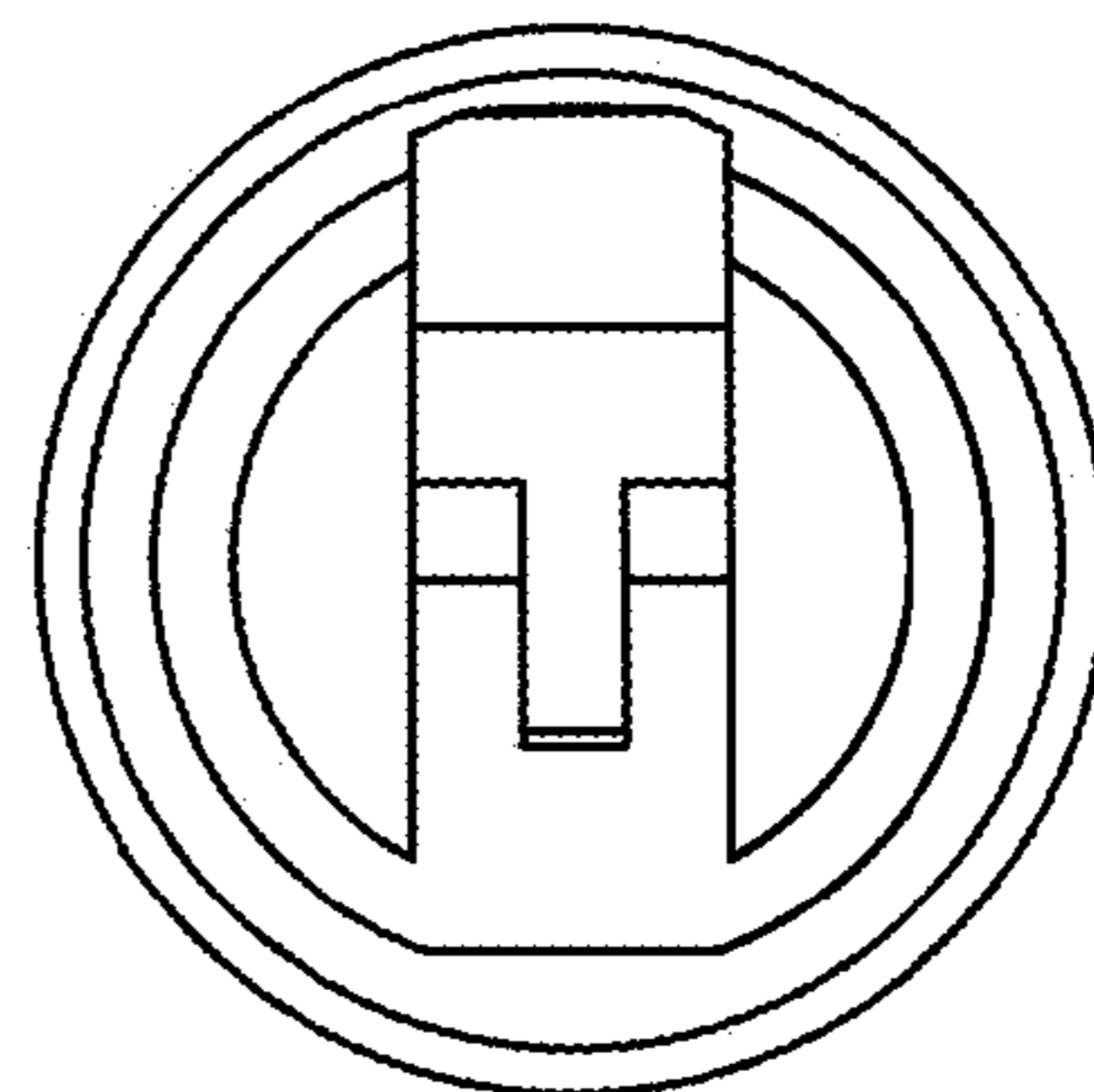
**FIG. 3**



**FIG. 4**



**FIG. 5**



**FIG. 6**