

US00D759779S

(12) **United States Design Patent**
Barnett

(10) **Patent No.:** **US D759,779 S**
(45) **Date of Patent:** **** Jun. 21, 2016**

- (54) **STABILIZING DEVICE**
- (71) Applicant: **Barnett Outdoors, LLC**, Tarpon Springs, FL (US)
- (72) Inventor: **David A. Barnett**, Tarpon Springs, FL (US)
- (73) Assignee: **Barnett Outdoors, LLC**, Tarpon Springs, FL (US)
- (**) Term: **14 Years**
- (21) Appl. No.: **29/513,998**
- (22) Filed: **Jan. 7, 2015**
- (51) **LOC (10) Cl.** **22-01**
- (52) **U.S. Cl.**
USPC **D22/107**
- (58) **Field of Classification Search**
USPC D7/107; D3/215
CPC F41B 5/1403; F41B 5/1426; F41B 5/14;
F41B 5/1453; F41B 5/1484; F41B 5/00;
F41B 5/12; F41B 5/1488
See application file for complete search history.

- 7,434,773 B1 * 10/2008 Minjares F41A 23/06
124/86
- 8,079,942 B2 * 12/2011 Anderson A63B 21/0004
482/121
- 2005/0236444 A1 * 10/2005 Thompson F41C 33/001
224/150
- 2015/0362277 A1 * 12/2015 Frey F41A 23/06
42/94

OTHER PUBLICATIONS

Applicant's co-pending U.S. Appl. No. 14/591,190, "Weapon Stabilizing Device and Method," David A. Barnett, filed Jan. 7, 2015.
Applicant's co-pending Design U.S. Appl. No. 29/513,881, "Stabilizing Device," David A. Barnett, filed Jan. 6, 2015.

* cited by examiner

Primary Examiner — Michael A Pratt
(74) *Attorney, Agent, or Firm* — Jones Walker LLP

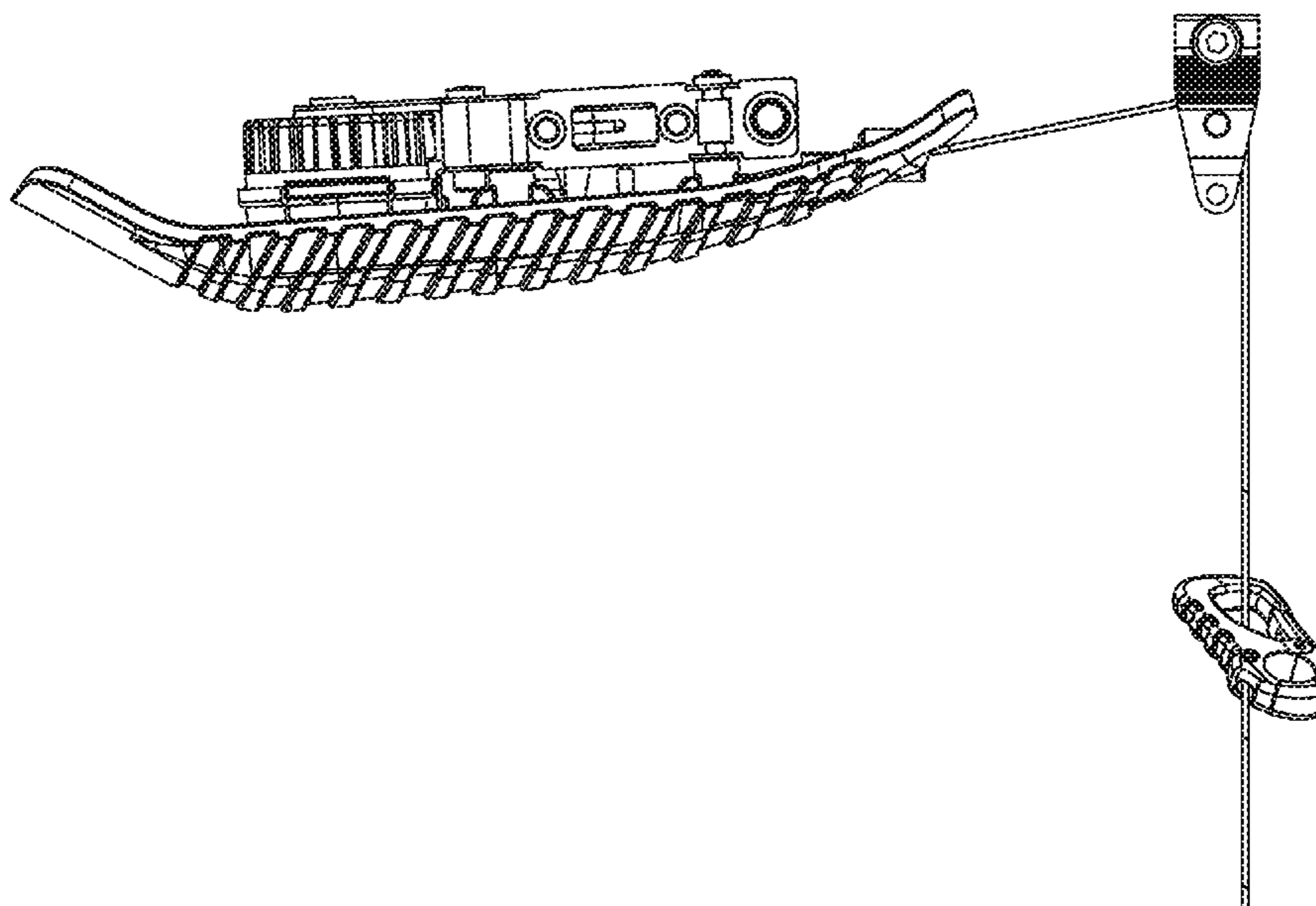
(57) **CLAIM**
I claim the ornamental design for a stabilizing device, as shown and described.

DESCRIPTION

FIG. 1 is a right side view of my new design;
FIG. 2 is a top view thereof;
FIG. 3 is a bottom view thereof;
FIG. 4 is a rear view thereof;
FIG. 5 is a front view thereof;
FIG. 6 is a rear-top perspective view thereof;
FIG. 7 is a front-top perspective view thereof;
FIG. 8 is a rear-bottom perspective view thereof; and,
FIG. 9 is a front-bottom perspective view thereof.
The left side view of the design is a mirror image of the right side view shown in FIG. 1.

1 Claim, 9 Drawing Sheets

- (56) **References Cited**
U.S. PATENT DOCUMENTS
4,674,472 A * 6/1987 Reis F16M 13/04
124/23.1
5,277,170 A * 1/1994 Carella A63B 21/0552
124/23.1
5,487,374 A * 1/1996 Herminath F41B 5/14
124/86
6,070,569 A * 6/2000 Chalin F41B 5/1426
124/86



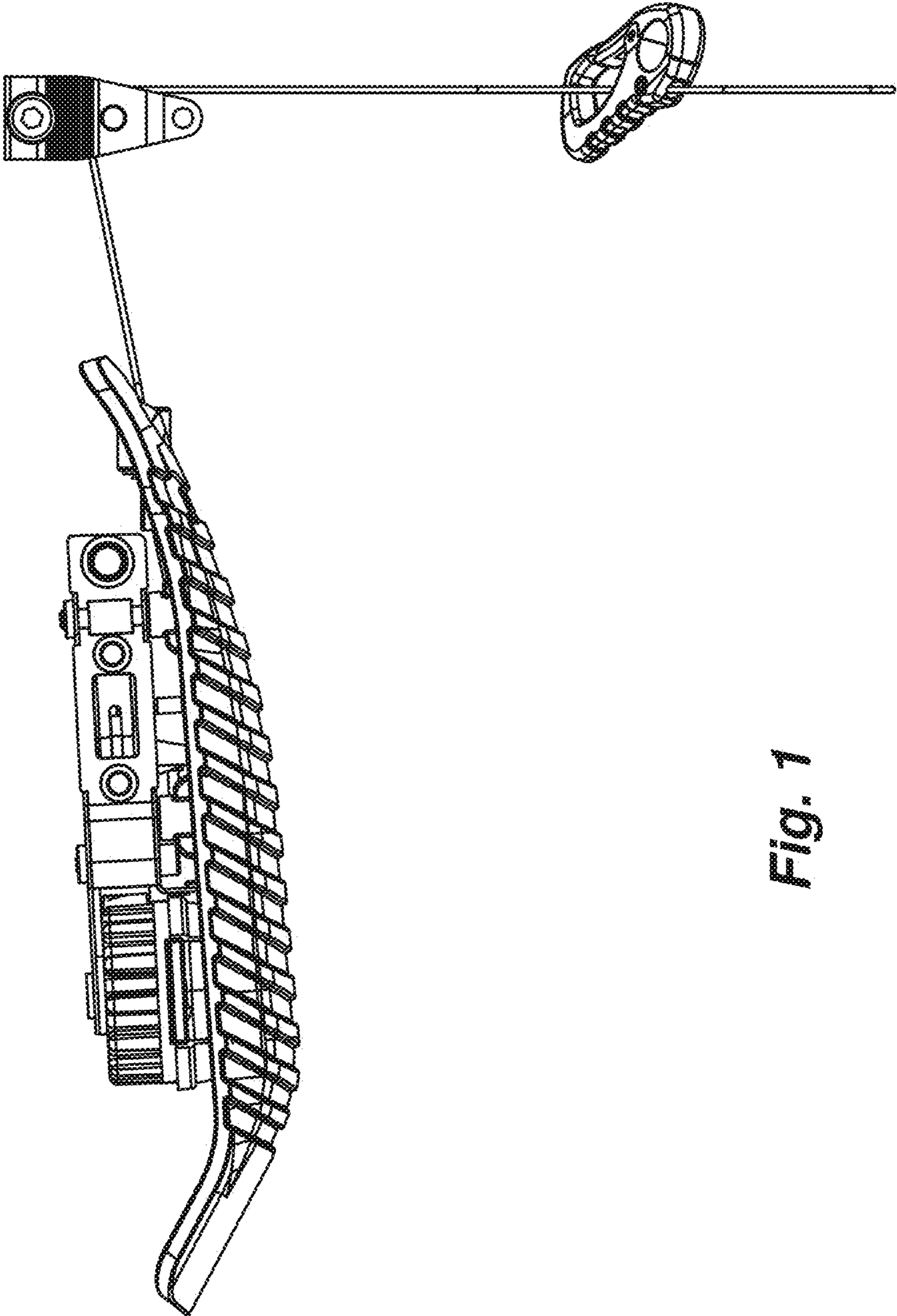


Fig. 1

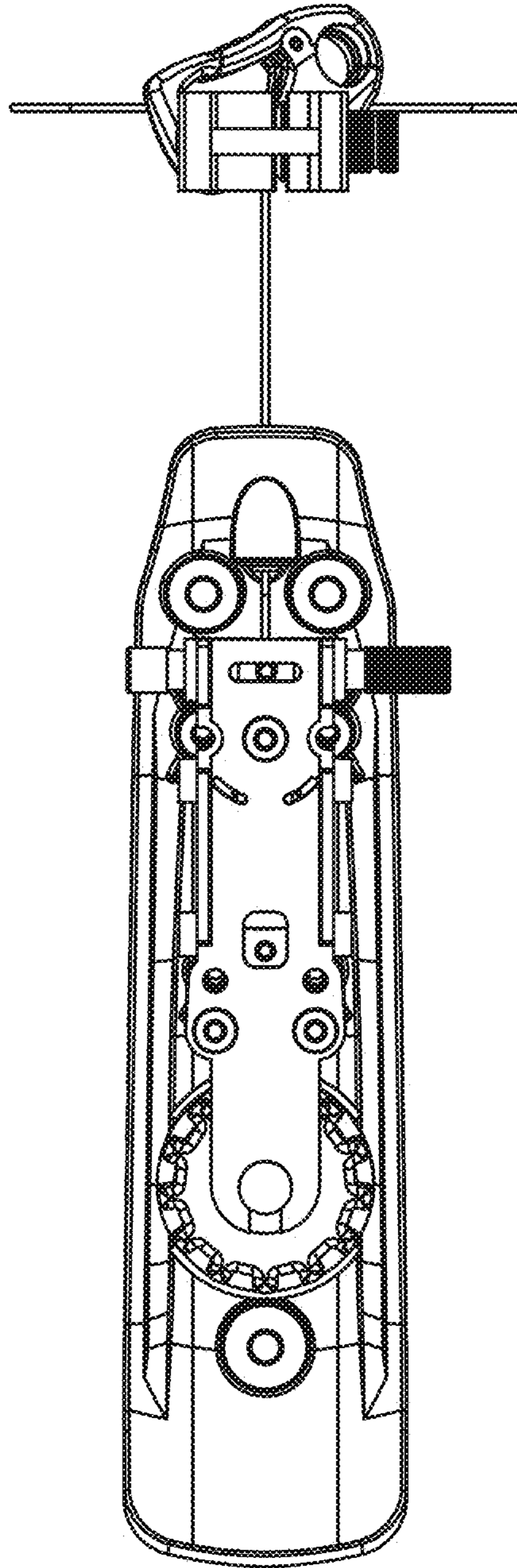


Fig. 2

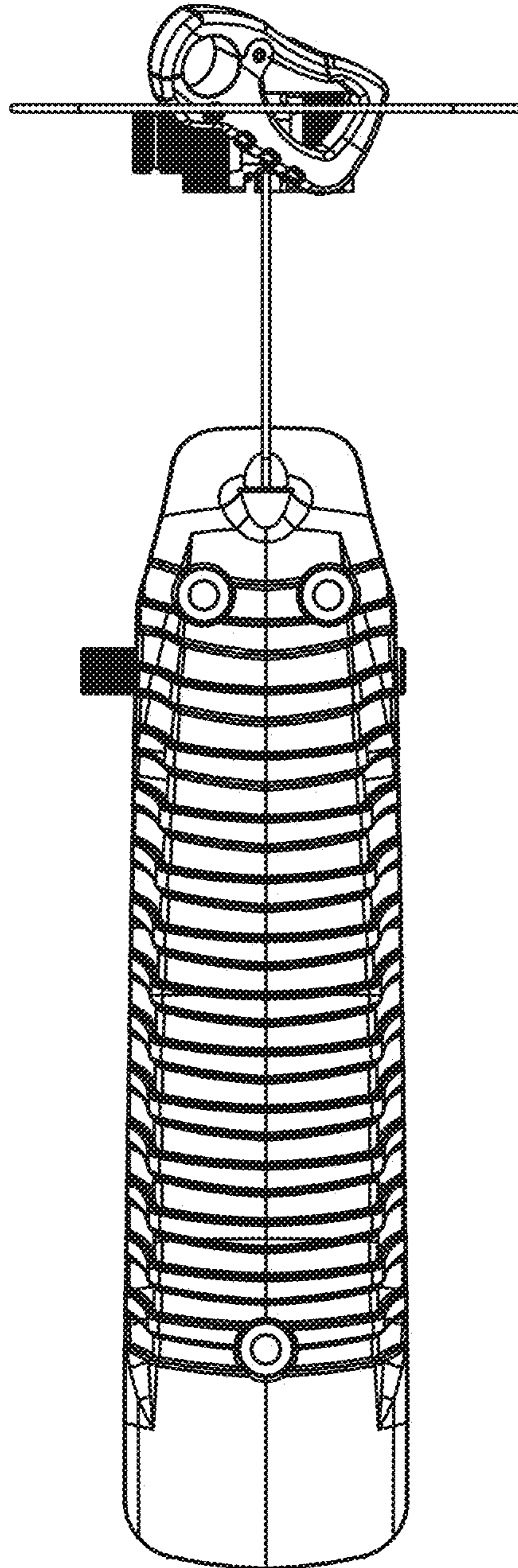


Fig. 3

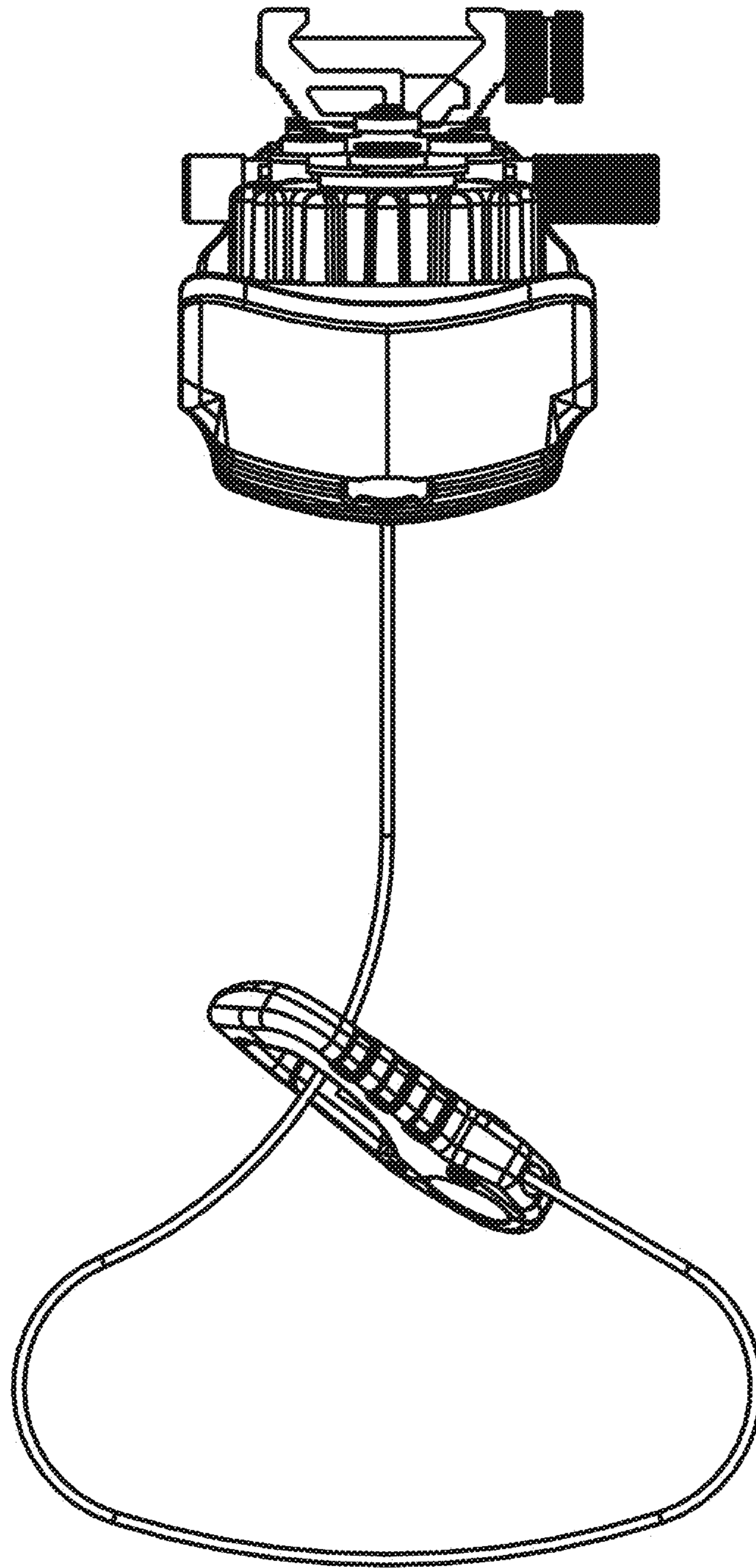


Fig. 4

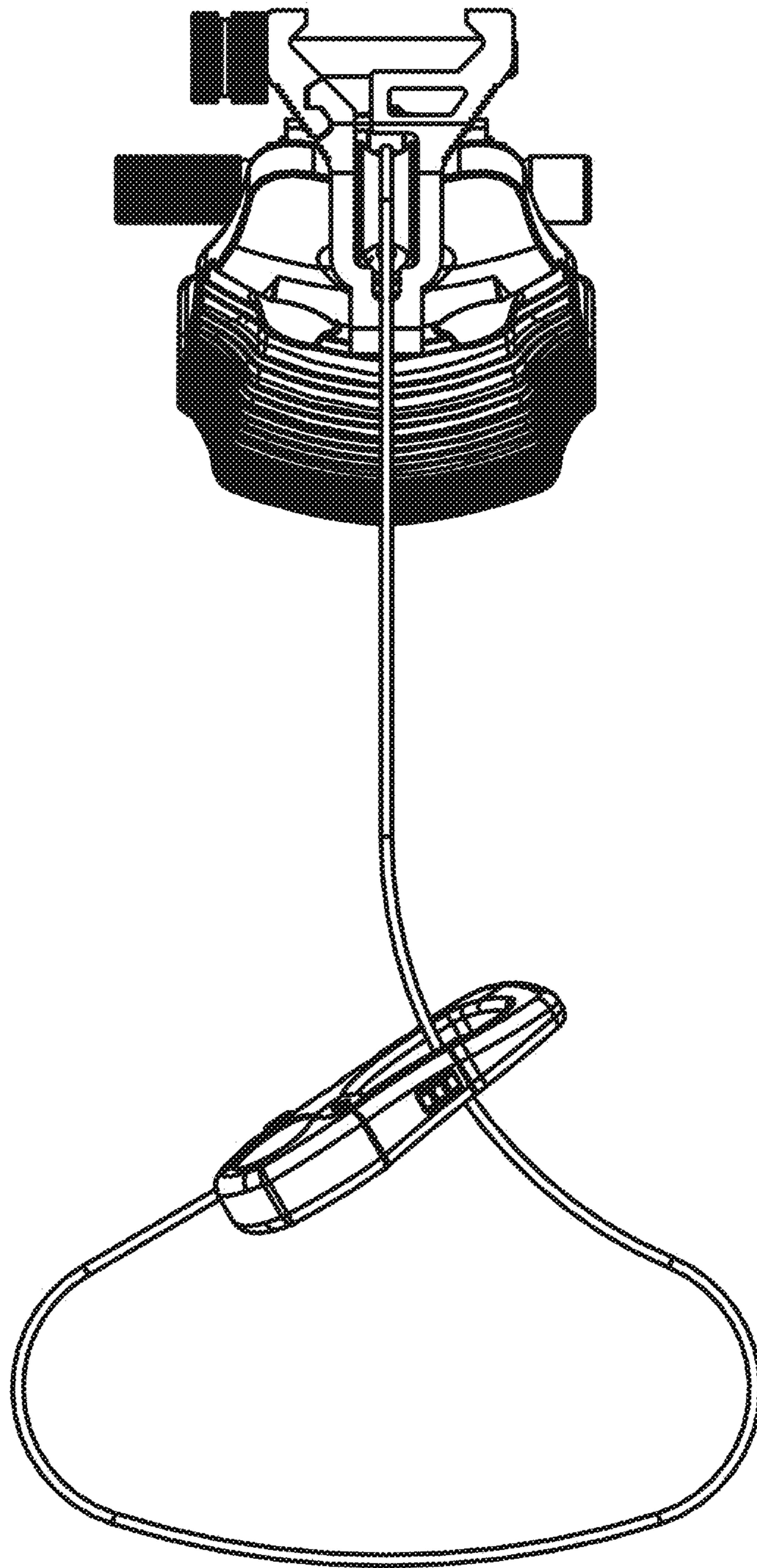


Fig. 5

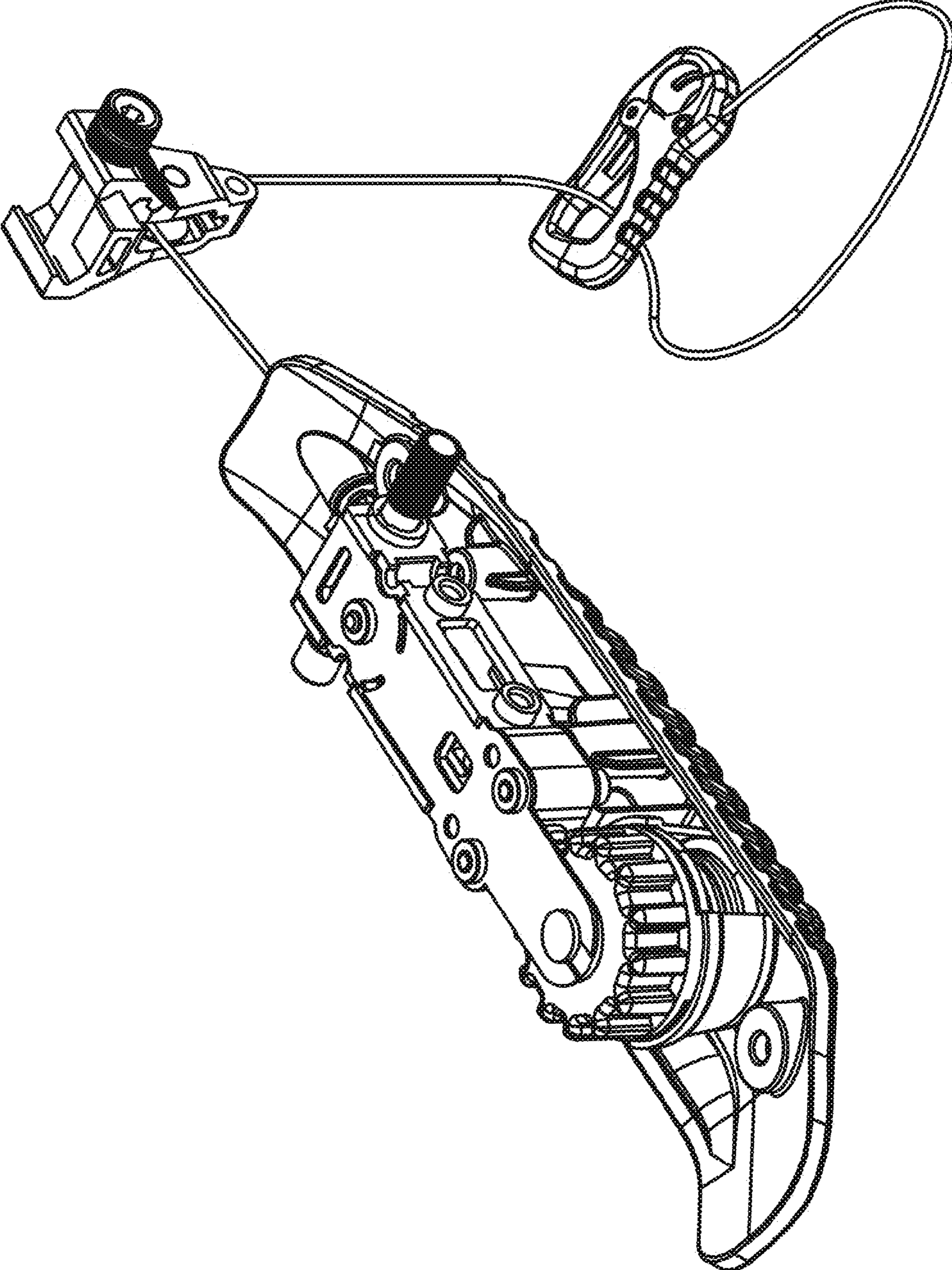


Fig. 6

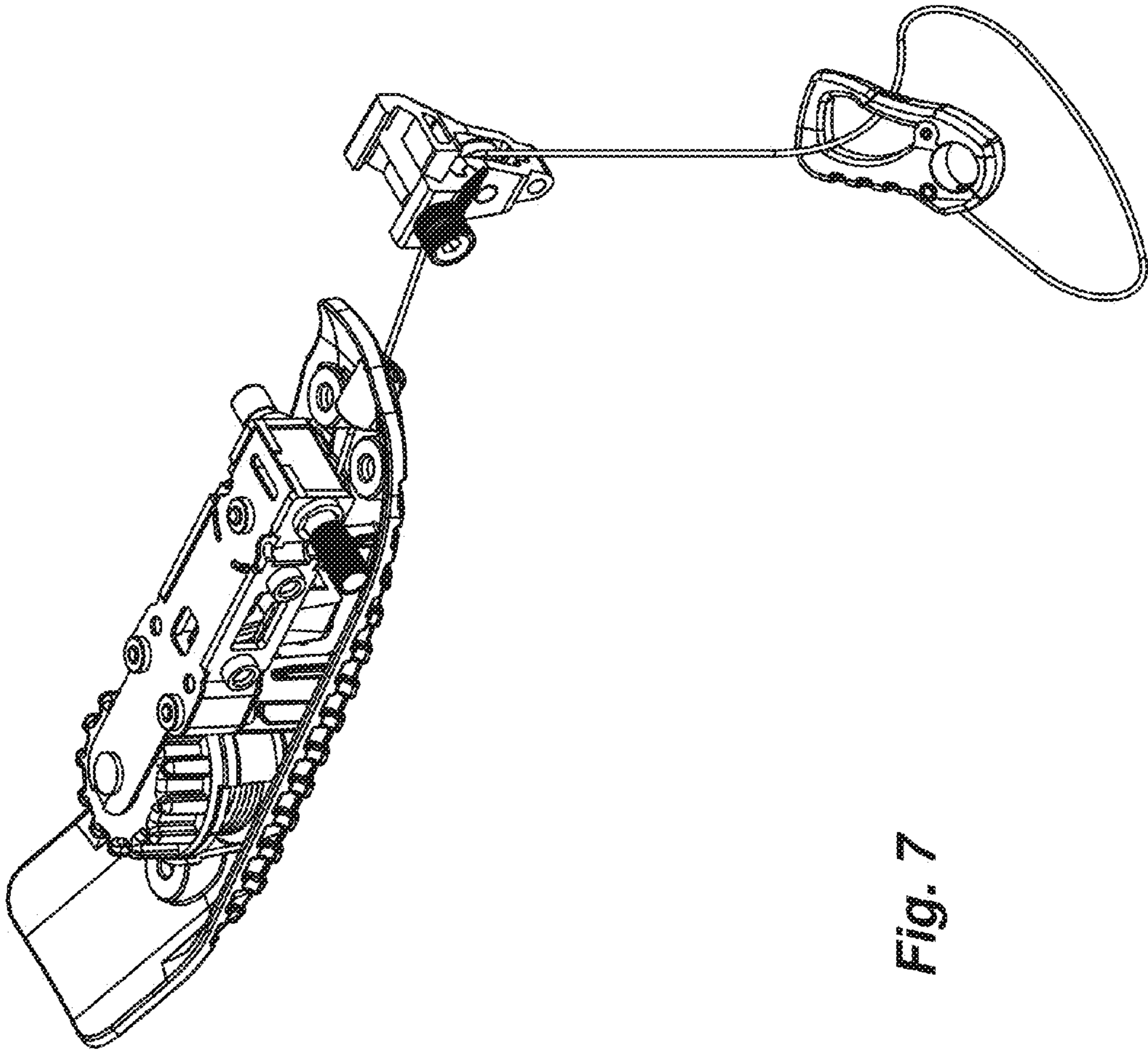


Fig. 7

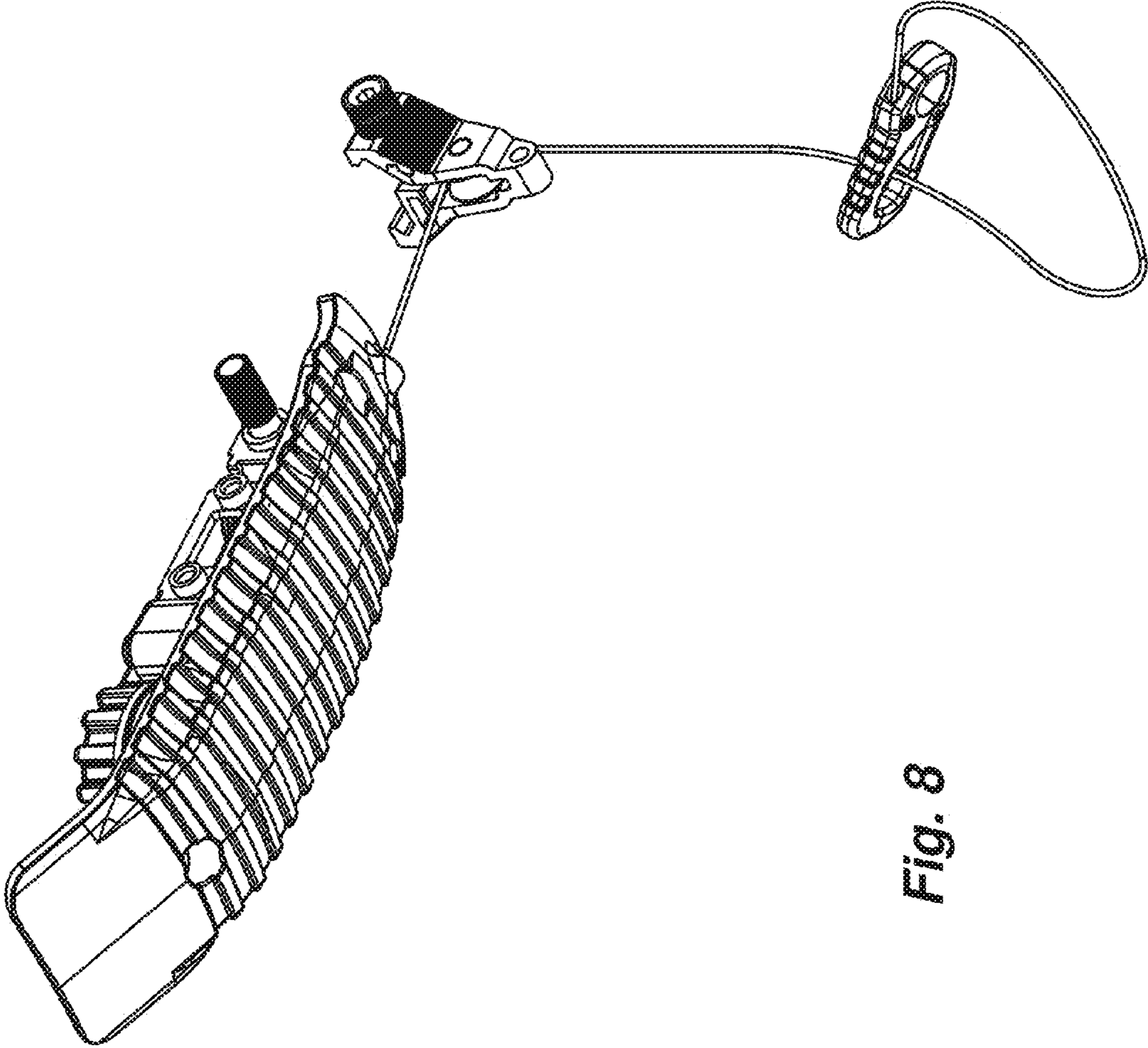


Fig. 8

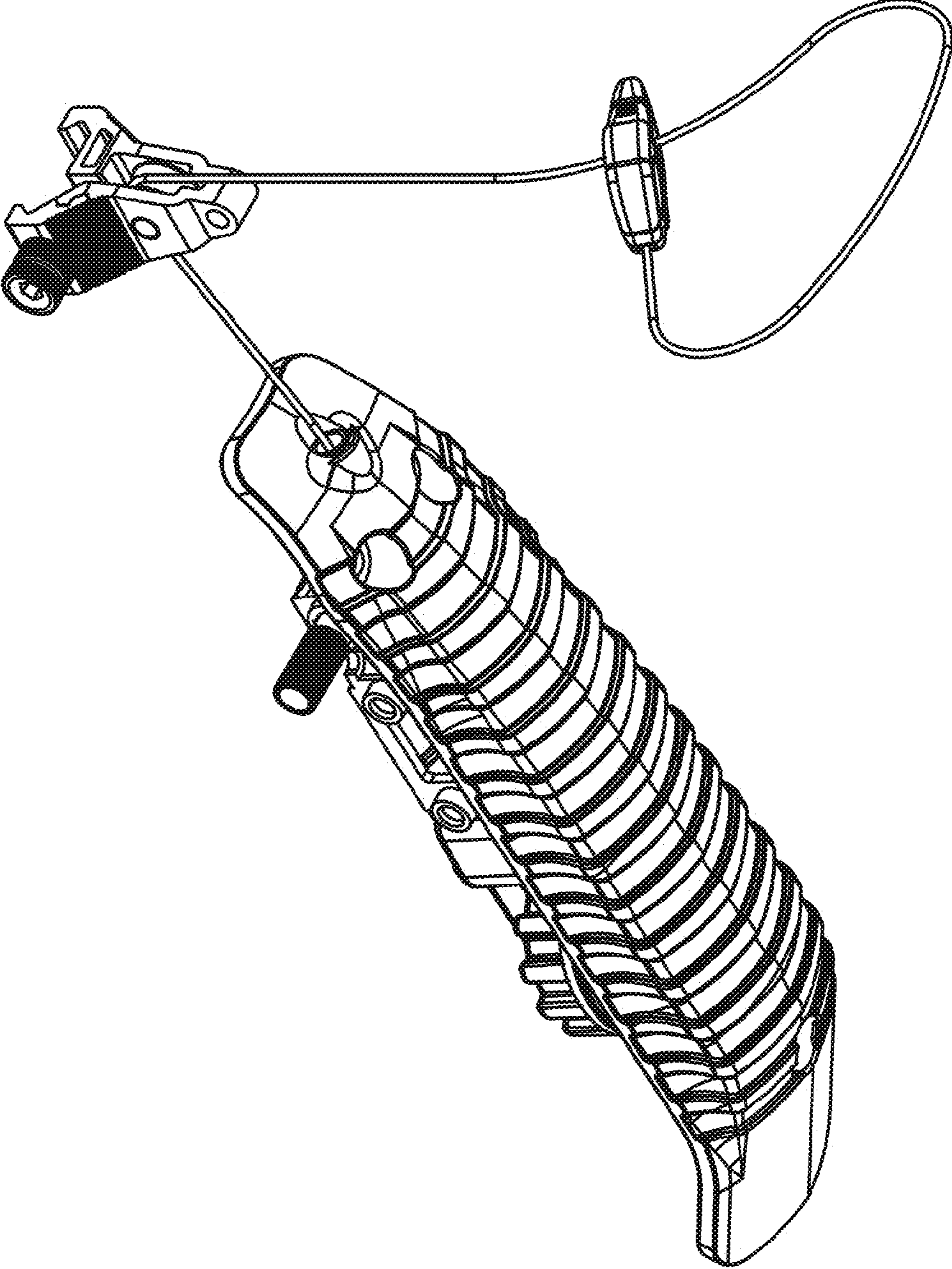


Fig. 9