

US00D759773S

(12) **United States Design Patent**
Miller

(10) **Patent No.:** **US D759,773 S**
(45) **Date of Patent:** **** Jun. 21, 2016**

(54) **TRAMPOLINE**

FOREIGN PATENT DOCUMENTS

(71) Applicant: **BOARD & BATTEN INTERNATIONAL INC.**, Georgetown (KY)

EP 1504794 A1 * 2/2005
EP 2248559 A1 * 11/2010

(72) Inventor: **David Jethro Miller**, Christchurch (NZ)

OTHER PUBLICATIONS

(73) Assignee: **Board & Batten International Inc.**, Georgetown (KY)

[Online] [Searched Aug. 6, 2014] Internet search<URL:www.globalsources.com/si/AS/Jinhua-Jingyi/6008825675401/pdtl/New-Rectangle-10x17-Feeet-Trampoline-%20-Safety-Net/1091596698.htm?AGGType=pure.*

(**) Term: **14 Years**

[Online] [Searched Aug. 6, 2014] Internet search<URL:www.1800trampoline.com/9x15ftrectangletrampoline-featured-extreme-makeover-home-edition-trampoline.aspx.*

(21) Appl. No.: **29/448,855**

* cited by examiner

(22) Filed: **Mar. 14, 2013**

Primary Examiner — Philip S Hyder
Assistant Examiner — Keith Frank

(30) **Foreign Application Priority Data**

(74) *Attorney, Agent, or Firm* — Dann, Dorfman, Herrell and Skillman, P.C.

Sep. 18, 2012 (NZ) 416725

(51) **LOC (10) CL.** **21-02**

(52) **U.S. CL.**
USPC **D21/797**

(58) **Field of Classification Search**
USPC 482/27-30; D21/797, 814, 799.2, 782
See application file for complete search history.

(57) **CLAIM**

The ornamental design for a trampoline, as shown and described.

(56) **References Cited**

DESCRIPTION

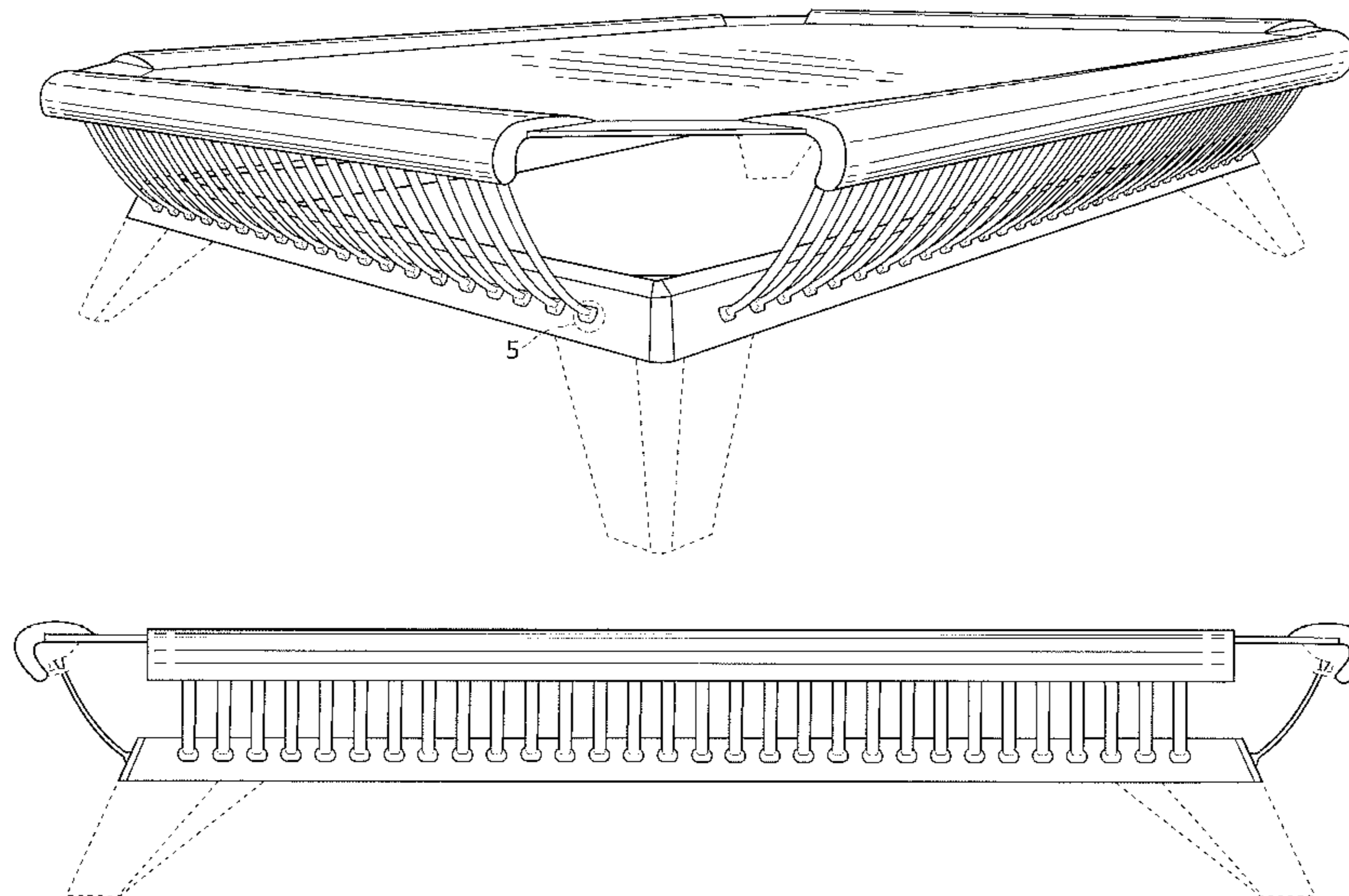
U.S. PATENT DOCUMENTS

D178,411 S *	7/1956	Mason	D21/797
2,809,383 A *	10/1957	Fenner et al.	482/28
2,969,124 A *	1/1961	Nissen	482/28
3,004,623 A *	10/1961	Nissen	482/28
D219,824 S *	2/1971	Swanson	D21/797
6,319,174 B1 *	11/2001	Alexander	482/27
D496,422 S *	9/2004	Rota	D21/797
8,241,185 B2 *	8/2012	Ikegami	482/27
2010/0285926 A1 *	11/2010	Ikegami	482/27
2012/0100962 A1 *	4/2012	Alexander	482/27

FIG. 1 is a top perspective view of a trampoline showing my new design;
FIG. 2 is a top plan view thereof;
FIG. 3 is an end elevational view, the opposite end being a mirror image thereof;
FIG. 4 is a side elevational view, the opposite side being a mirror image thereof;
FIG. 5 is a magnified partial view of the spring element of FIG. 1; and,
FIG. 6 is a magnified partial view of the spring element of FIG. 3.

The broken lines depict portions of the trampoline in which the design is embodied that are not considered part of the claimed design.

1 Claim, 5 Drawing Sheets



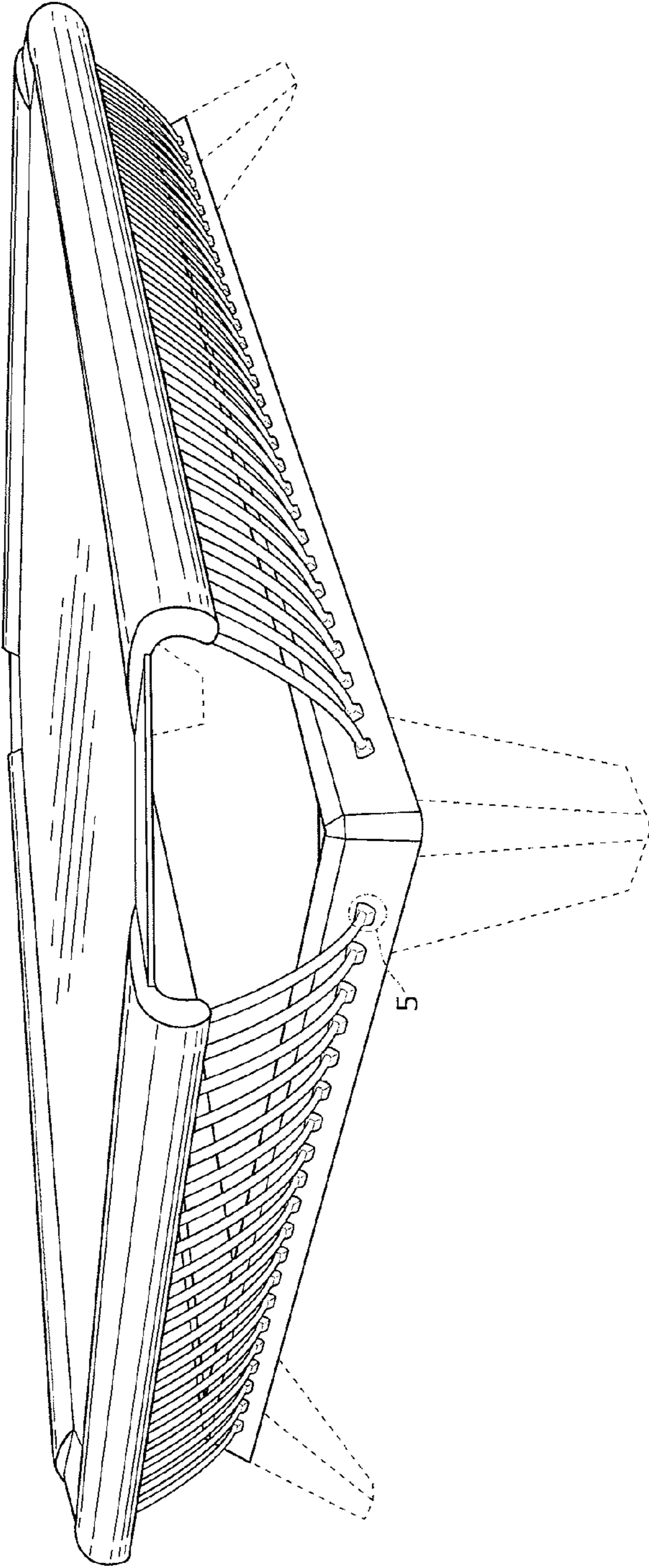


FIG. 1

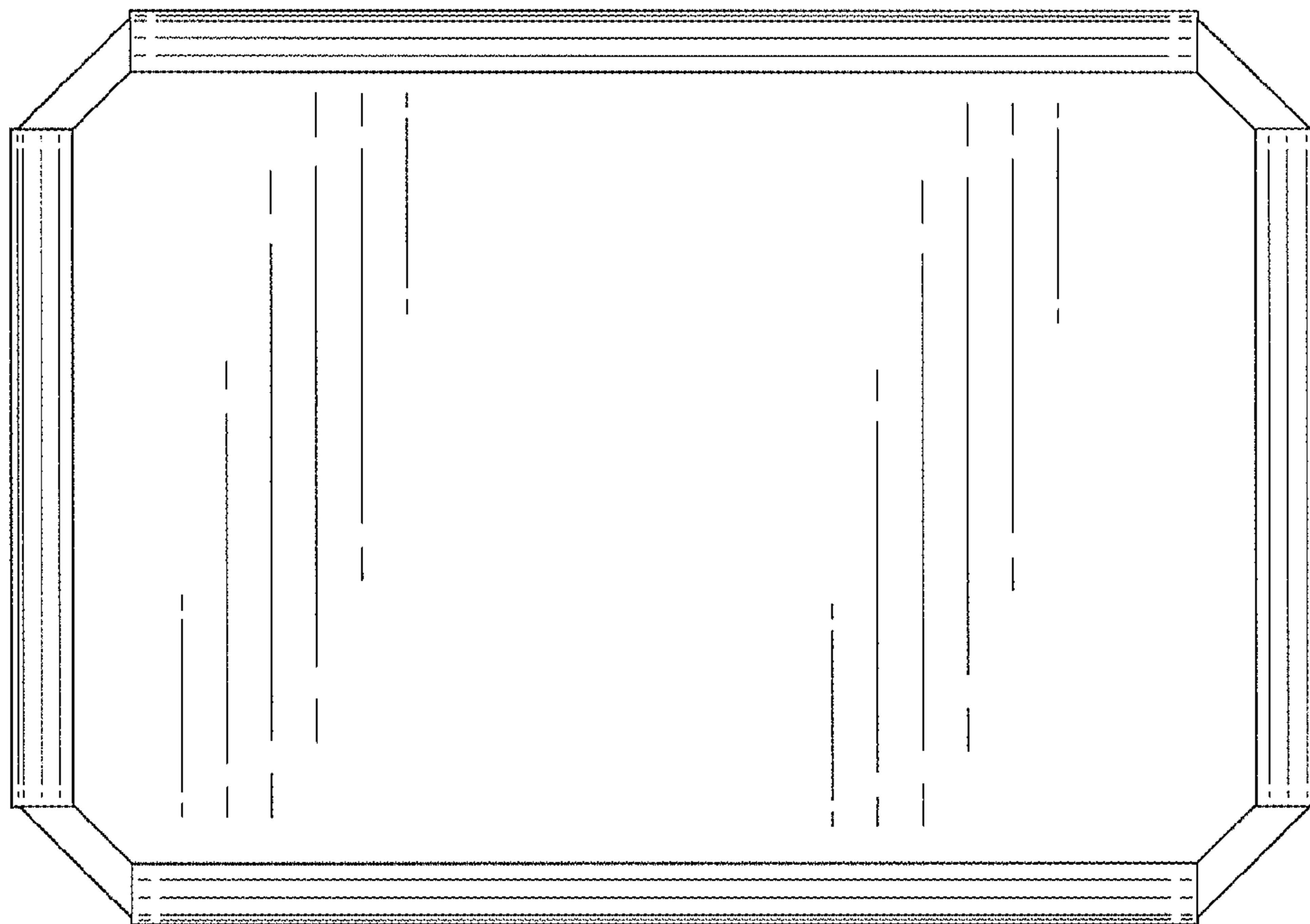


FIG. 2

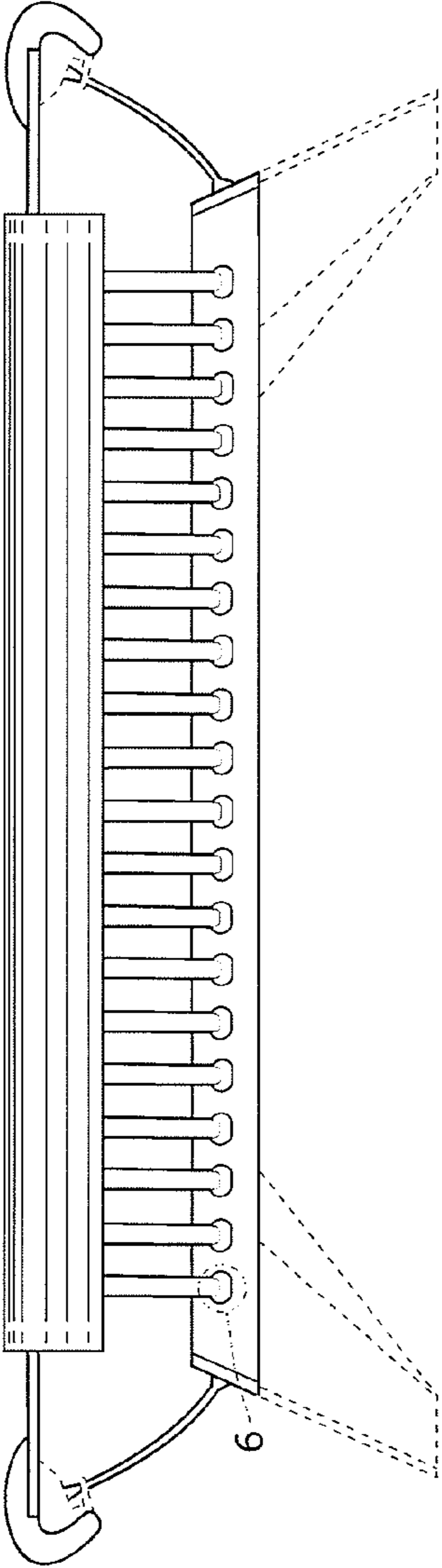


FIG. 3

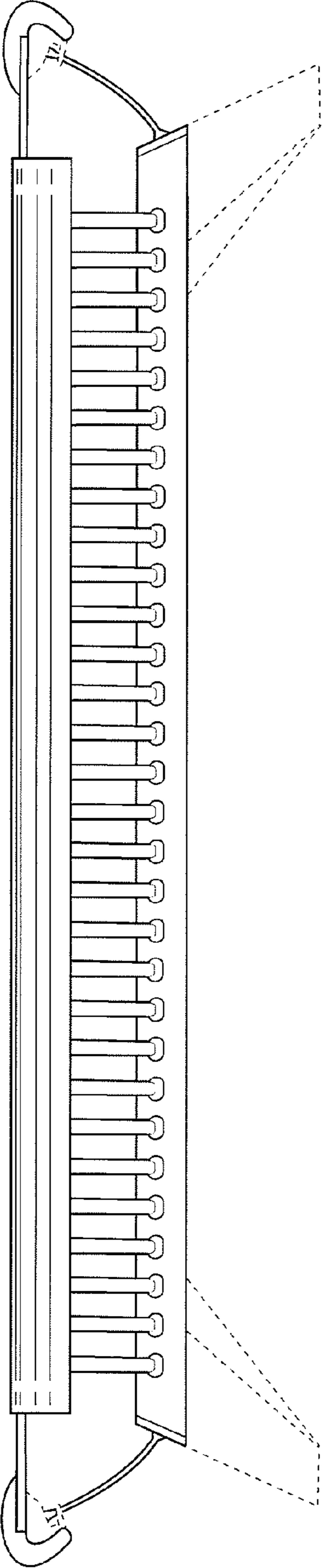


FIG. 4

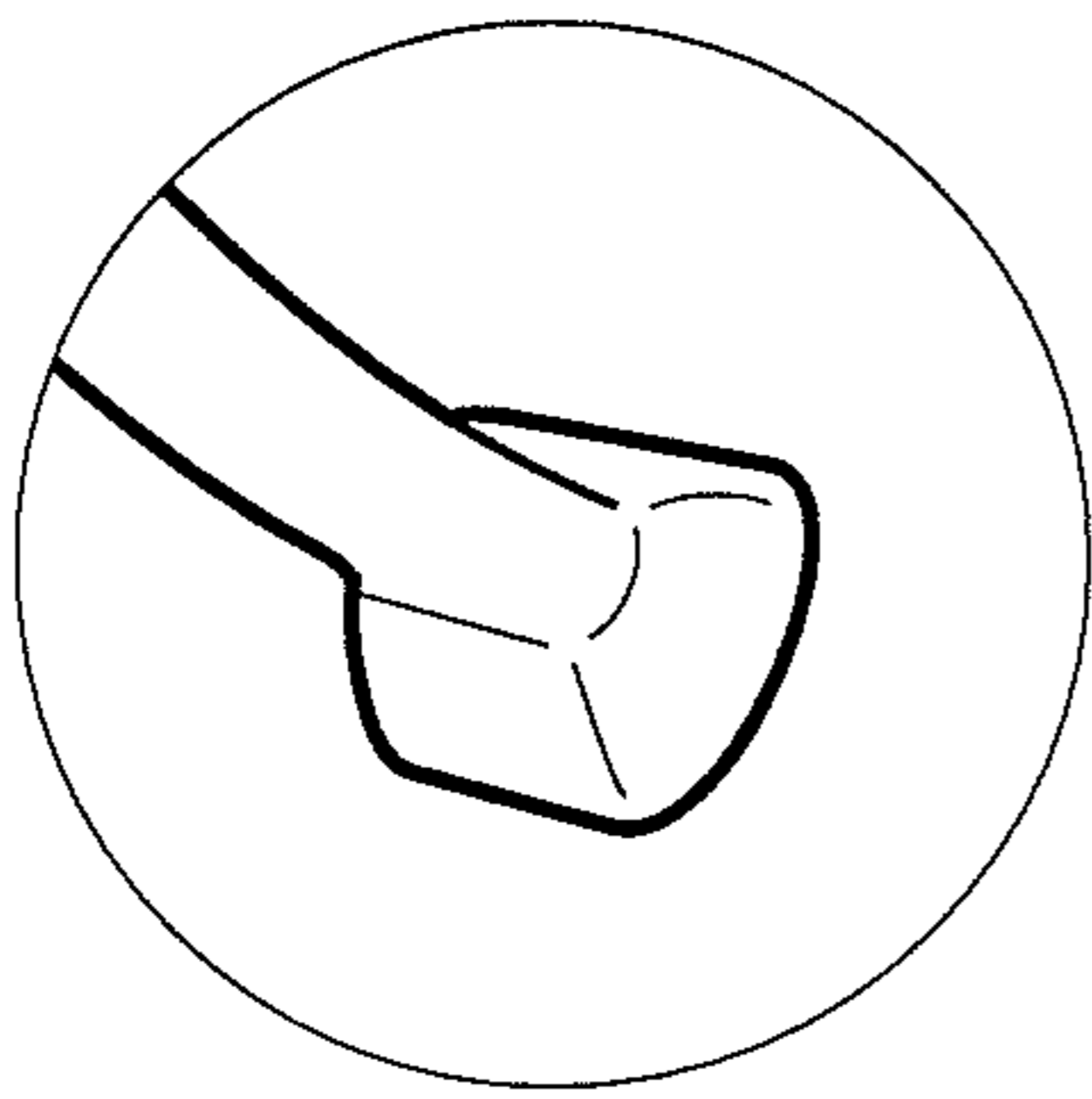


FIG. 5

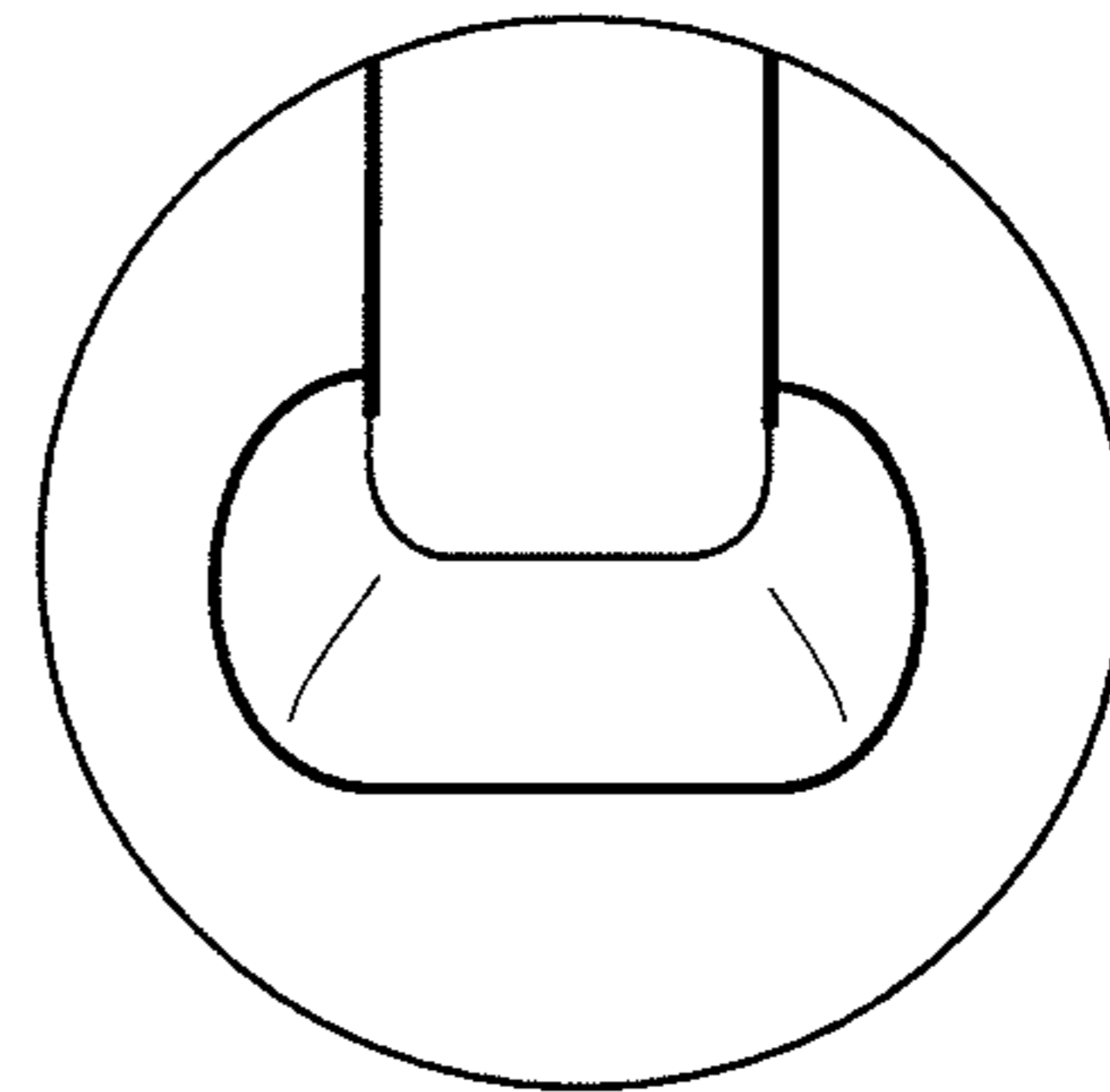


FIG. 6