

US00D759764S

(12) **United States Design Patent**  
**Lai**

(10) **Patent No.:** **US D759,764 S**  
(45) **Date of Patent:** **\*\* Jun. 21, 2016**

(54) **QUADCOPTER**

(71) Applicant: **Thunder Tiger Corporation**, Taichung (TW)

(72) Inventor: **Aling Lai**, Taichung (TW)

(73) Assignee: **Thunder Tiger Corporation**, Taichung (TW)

(\*\*) Term: **14 Years**

(21) Appl. No.: **29/509,480**

(22) Filed: **Nov. 18, 2014**

(51) **LOC (10) Cl.** ..... **21-01**

(52) **U.S. Cl.**  
USPC ..... **D21/441**; D12/16.1

(58) **Field of Classification Search**  
USPC ..... D12/16.1, 319, 326, 327, 328, 329, 330, D12/331, 344, 345, 99, 125, 404, 414, 190, D12/214, 223; D21/437, 442, 447, 446, D21/448, 449, 450, 453  
CPC F41H 13/00; A01K 67/033; B64C 2201/108; B64C 27/54; A63H 27/12; A63H 17/00; G05D 1/0016

See application file for complete search history.

8,214,088 B2 \* 7/2012 Lefebure ..... A63H 27/12 244/189

D691,514 S \* 10/2013 Wang ..... D12/16.1

8,662,438 B2 \* 3/2014 Savoye ..... A63H 27/12 244/17.11

D708,272 S \* 7/2014 Schmelter ..... D12/16.1

8,794,564 B2 \* 8/2014 Hutson ..... B64D 45/00 244/17.17

8,967,029 B1 \* 3/2015 Calvert ..... F41H 13/00 239/171

8,991,740 B2 \* 3/2015 Olm ..... B60F 5/02 244/2

9,061,558 B2 \* 6/2015 Kalantari ..... A63H 27/12

2007/0105474 A1 \* 5/2007 Gotou ..... A63H 27/02 446/37

2008/0048065 A1 \* 2/2008 Kuntz ..... A63H 17/00 244/17.23

2009/0283629 A1 \* 11/2009 Kroetsch ..... A63H 27/12 244/17.23

2014/0131510 A1 \* 5/2014 Wang ..... B64C 39/24 244/17.23

\* cited by examiner

*Primary Examiner* — Robert M Spear  
*Assistant Examiner* — Marissa J Cash  
(74) *Attorney, Agent, or Firm* — Wang Law Firm, Inc.

(57) **CLAIM**

The ornamental design for a quadcopter, as shown and described.

(56) **References Cited**

U.S. PATENT DOCUMENTS

D189,462 S \* 12/1960 Vogt ..... D12/329

3,053,480 A \* 9/1962 Vanderlip ..... B64C 27/54 244/17.13

3,614,029 A \* 10/1971 Eickmann ..... B64C 11/00 244/17.23

4,913,377 A \* 4/1990 Eickmann ..... B64C 29/00 244/17.11

5,082,079 A \* 1/1992 Lissaman ..... B64C 27/20 180/118

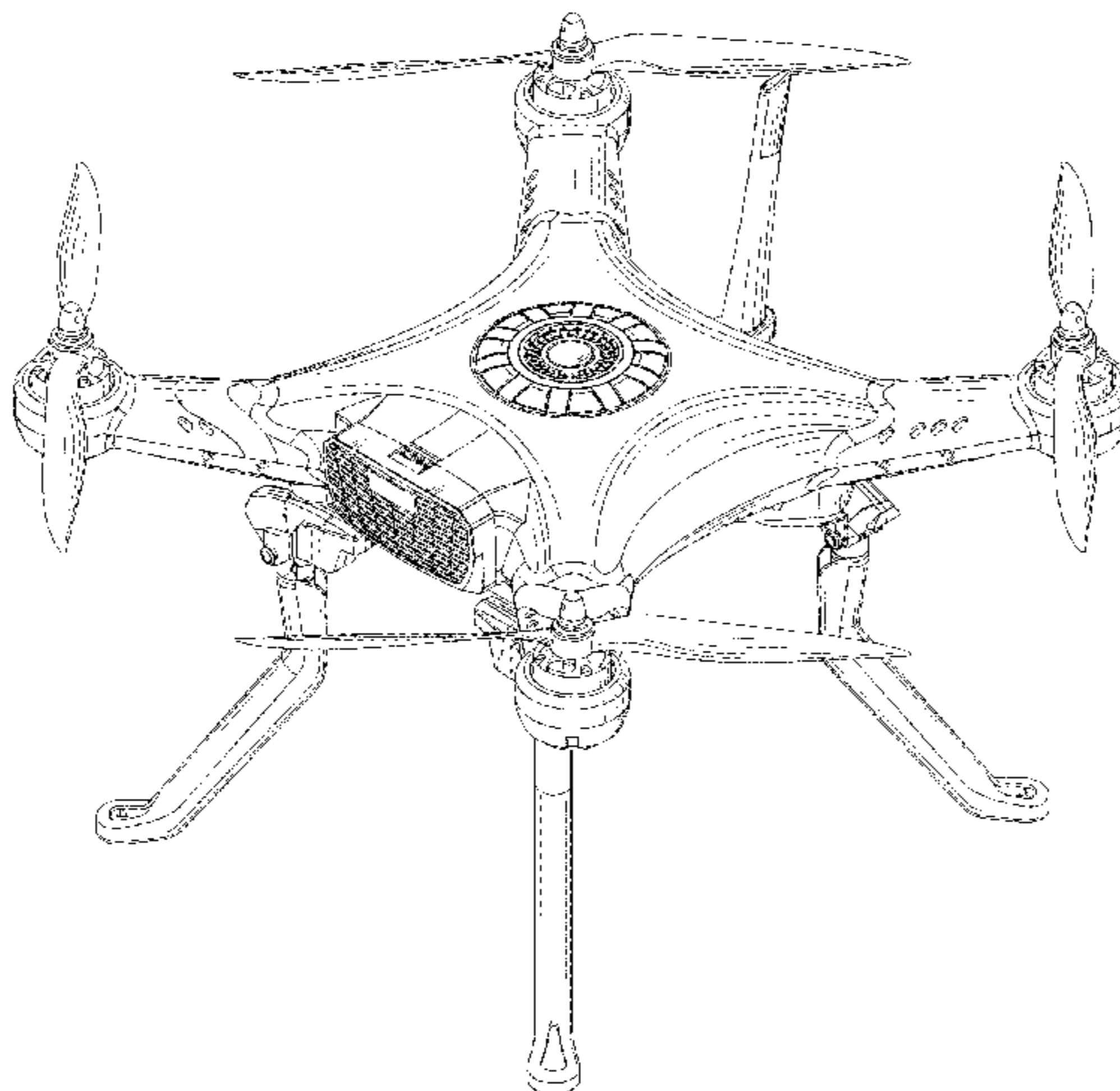
D659,771 S \* 5/2012 Seydoux ..... D21/441

8,167,234 B1 \* 5/2012 Moore ..... B64C 37/00 244/17.23

**DESCRIPTION**

FIG. 1 is a perspective view of a quadcopter showing my new design;  
FIG. 2 is a front elevational view thereof;  
FIG. 3 is a rear elevational view thereof;  
FIG. 4 is a left side view thereof;  
FIG. 5 is a right side view thereof;  
FIG. 6 is a top plain view thereof; and,  
FIG. 7 is a bottom plain view thereof.

**1 Claim, 7 Drawing Sheets**



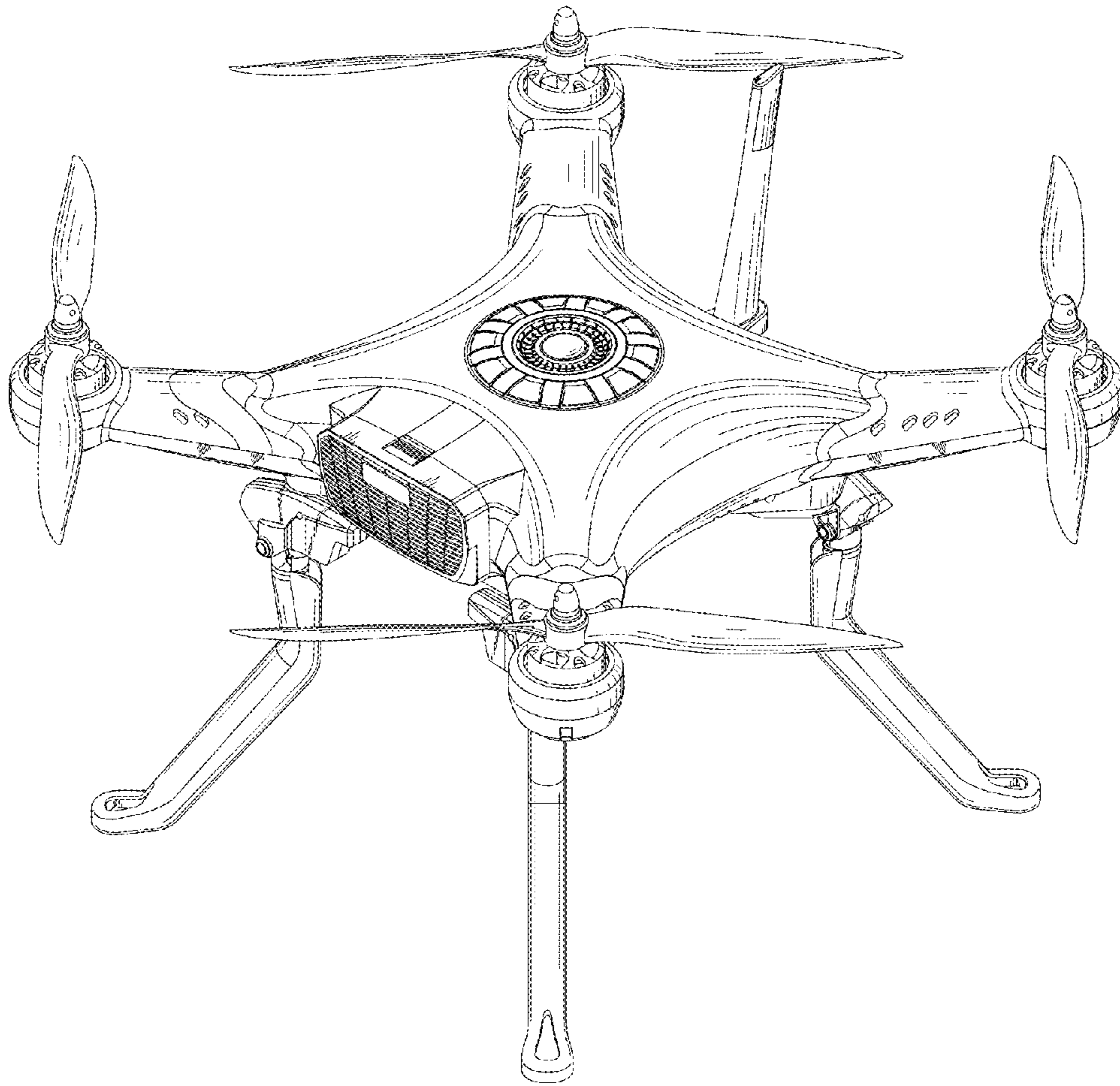


FIG. 1

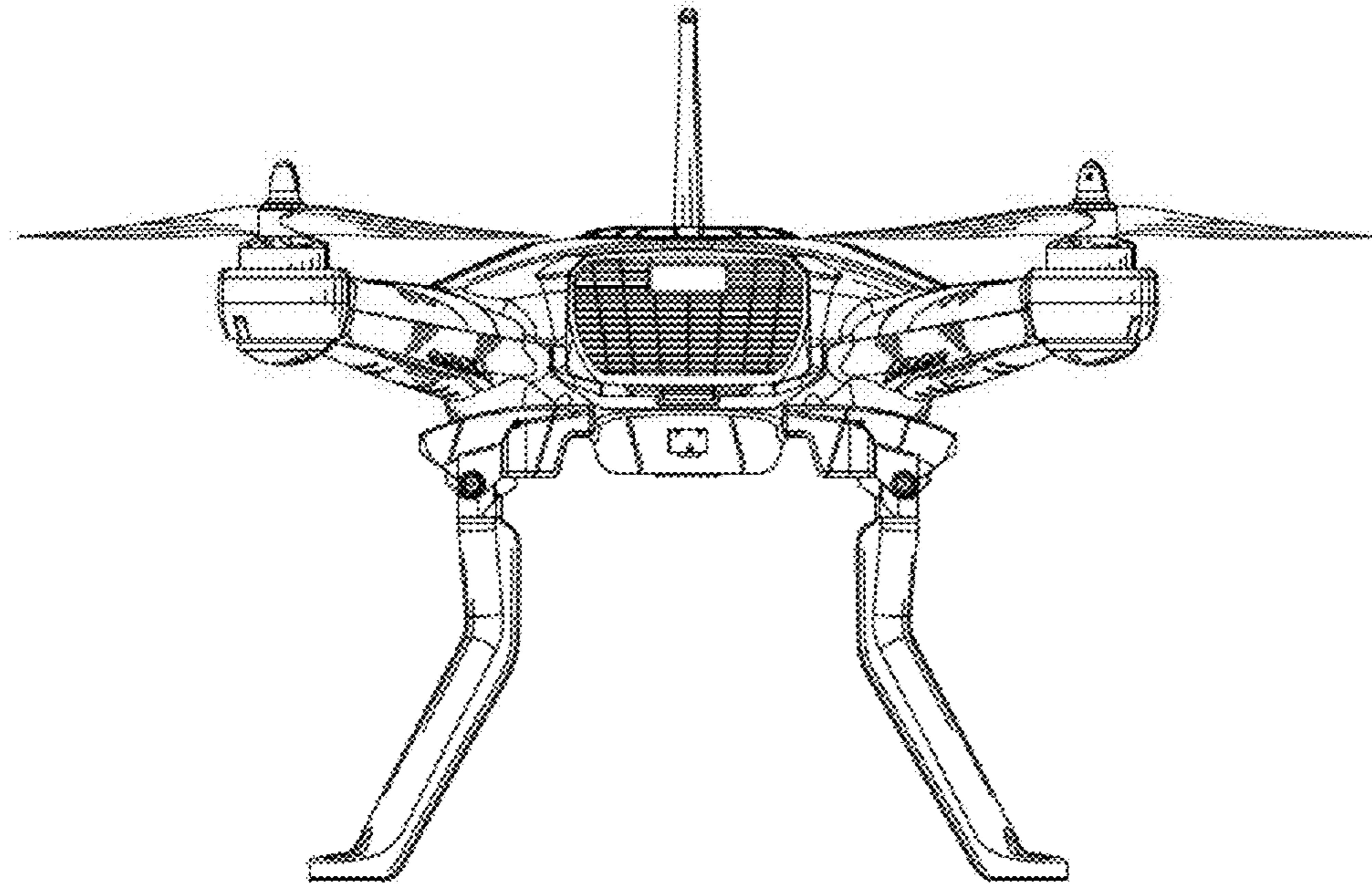


FIG. 2

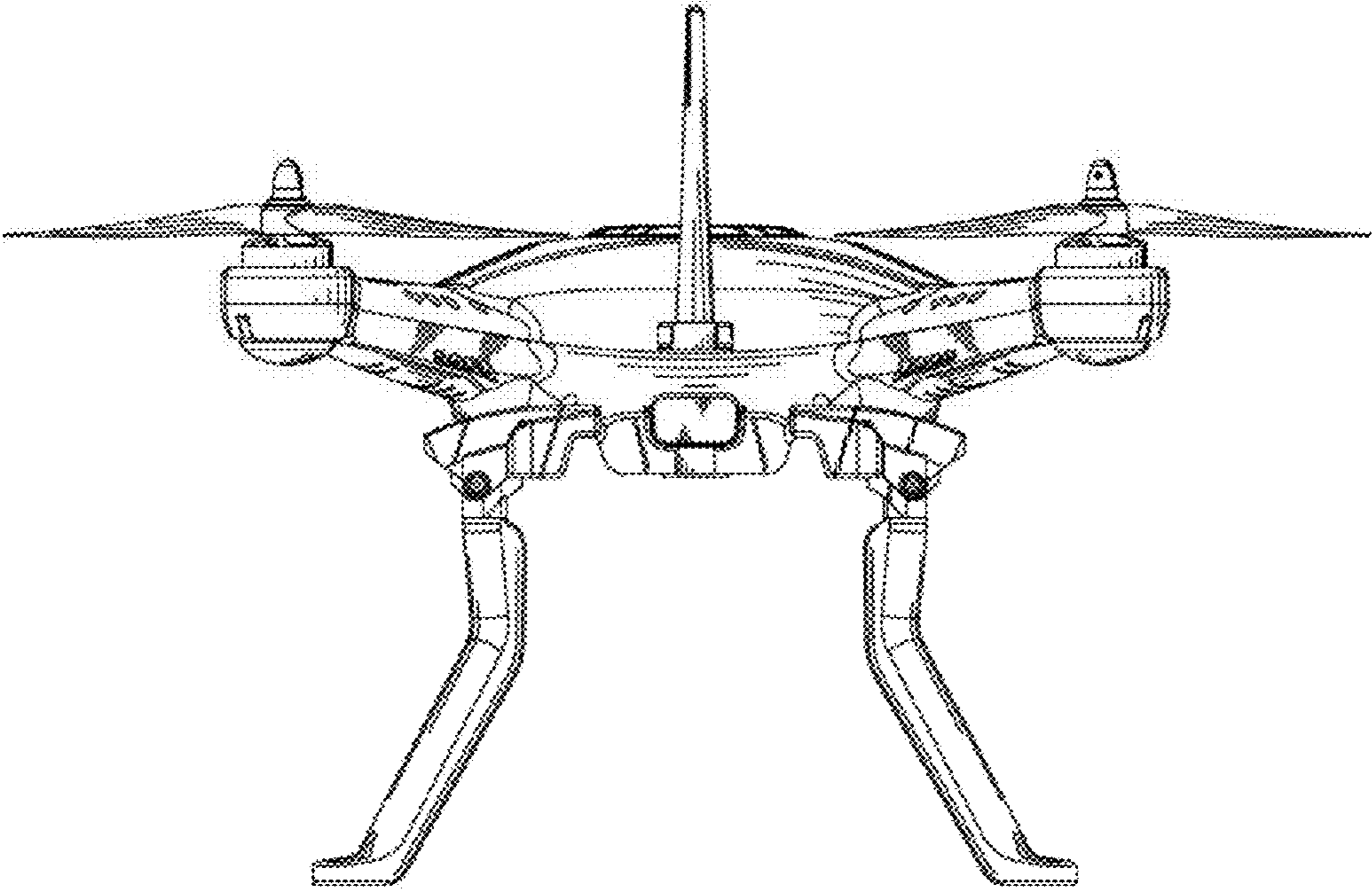


FIG. 3

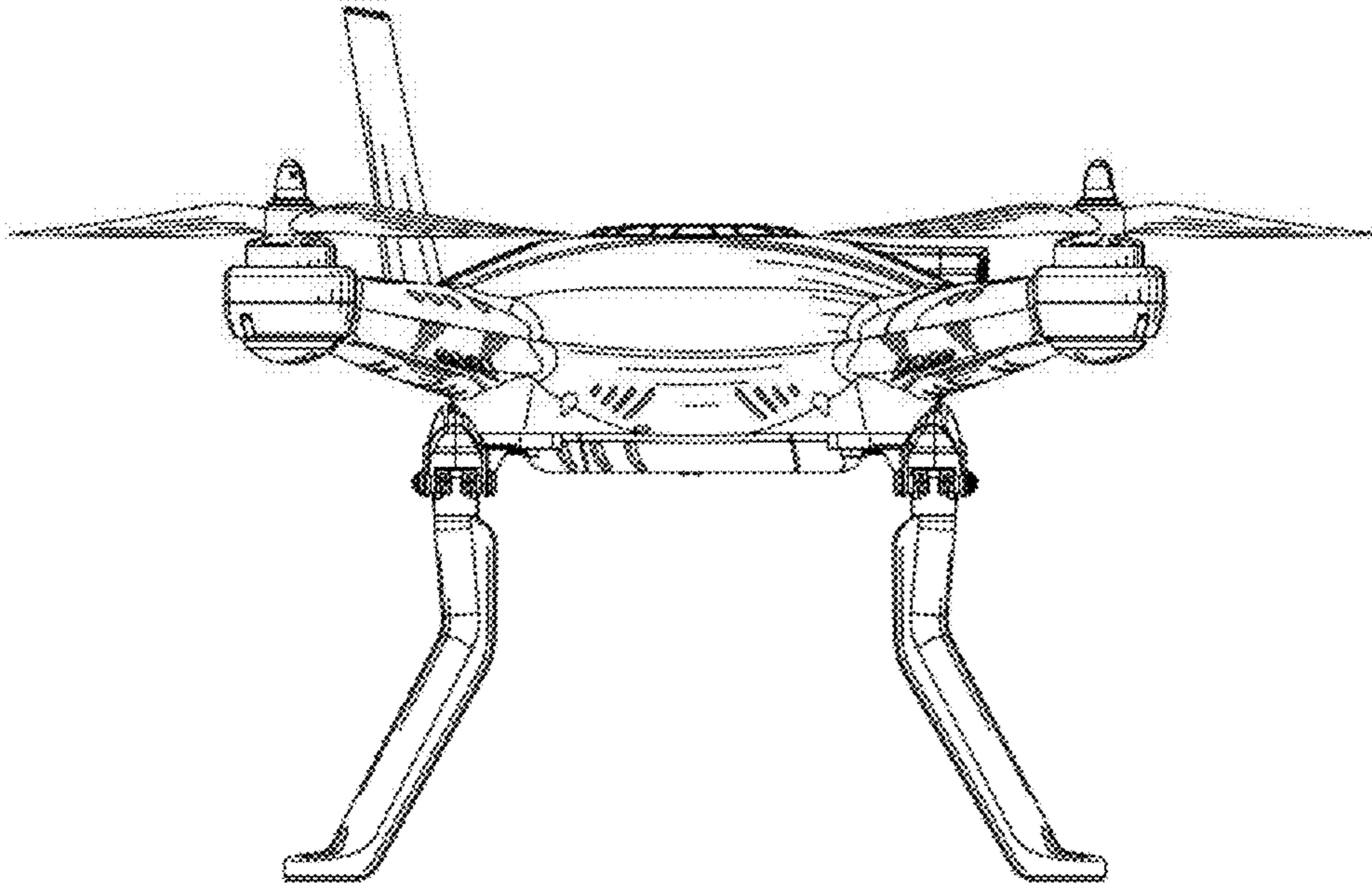


FIG. 4

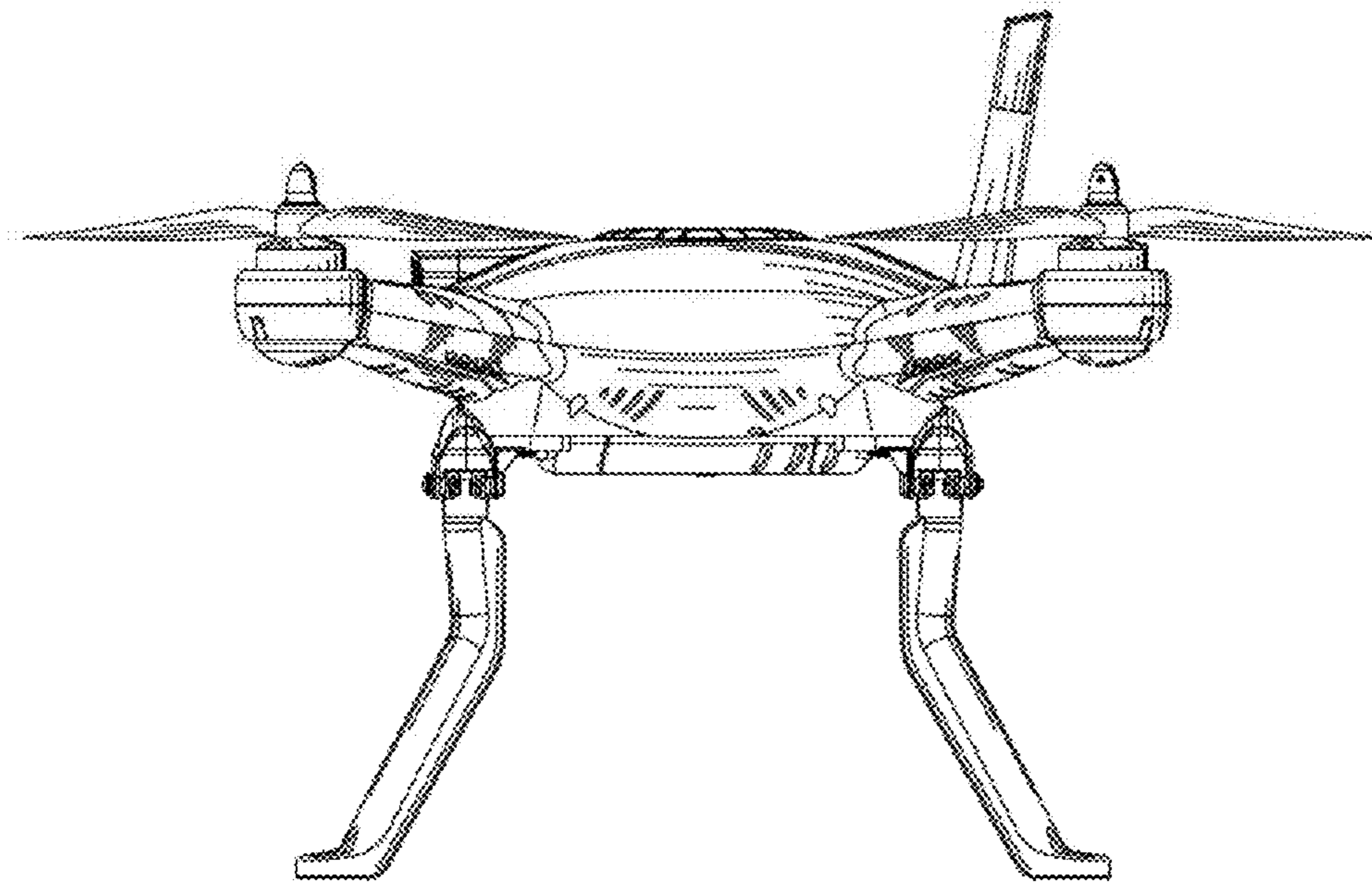


FIG. 5

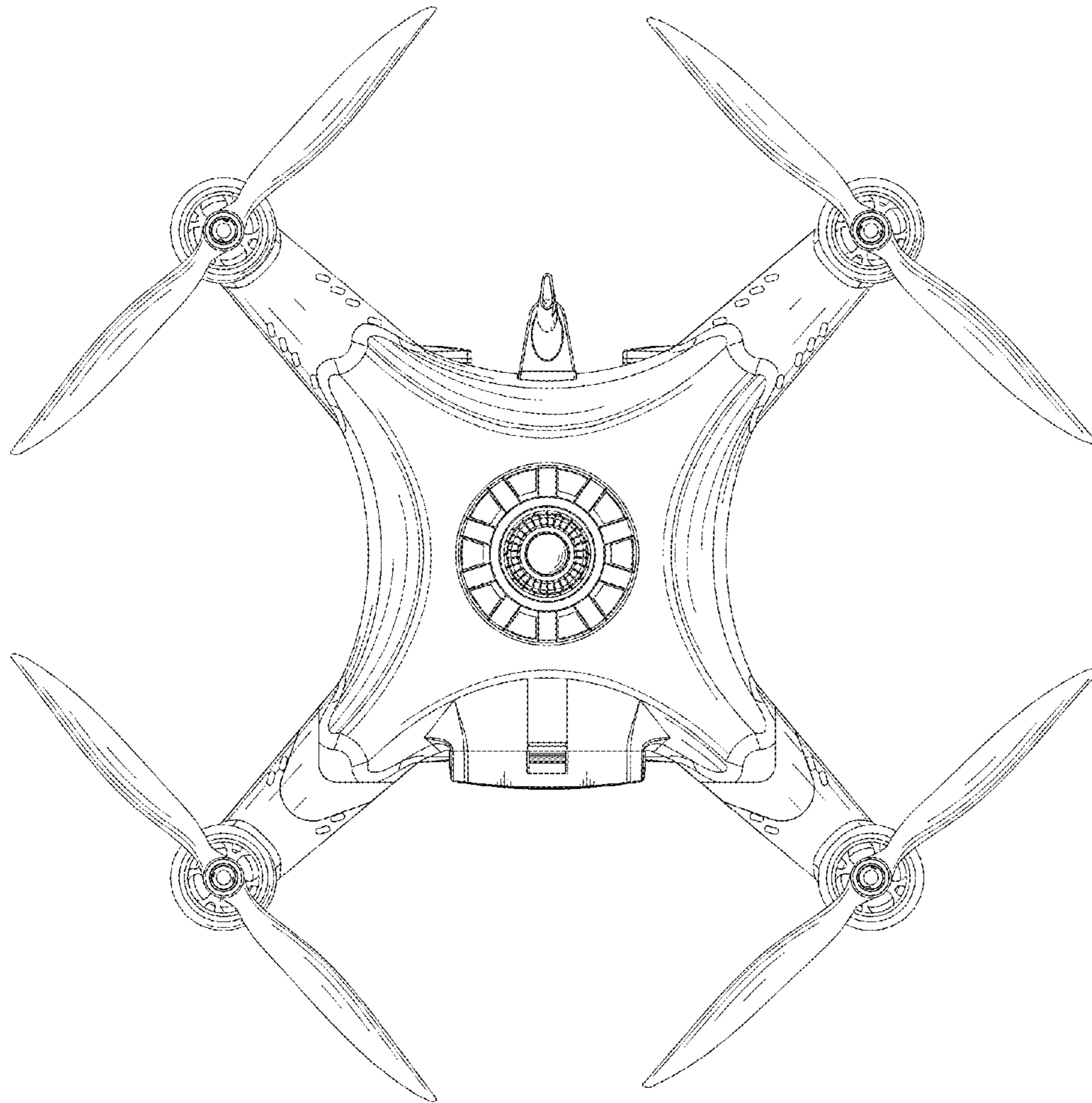


FIG. 6

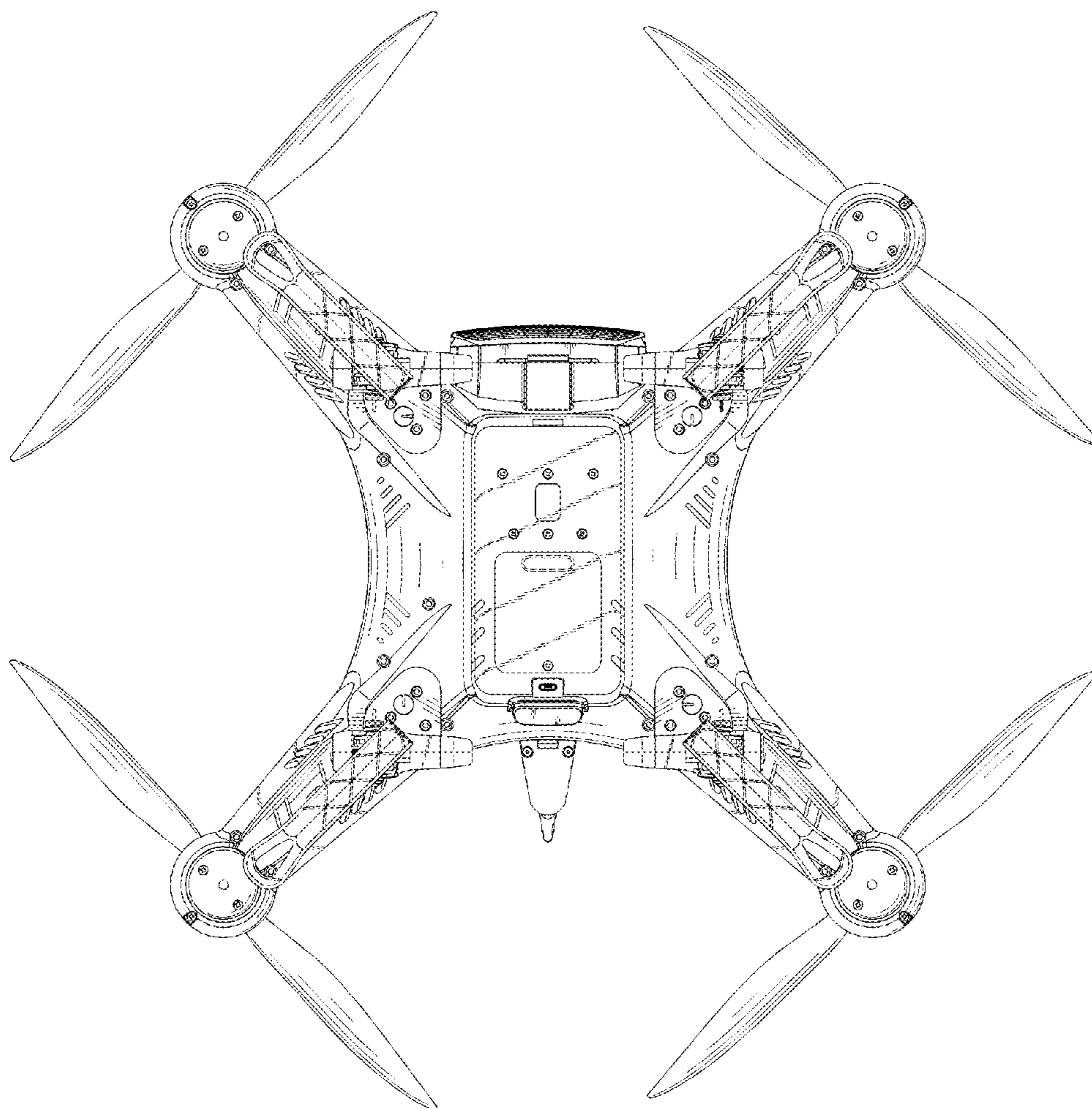


FIG. 7