



US00D759762S

(12) **United States Design Patent**
Czarnowski

(10) **Patent No.:** **US D759,762 S**
(45) **Date of Patent:** **** Jun. 21, 2016**

(54) **CRIBBAGE BOARD**
(71) Applicant: **Chad T. Czarnowski**, Saint Paul, MN (US)
(72) Inventor: **Chad T. Czarnowski**, Saint Paul, MN (US)
(**) Term: **14 Years**
(21) Appl. No.: **29/498,742**
(22) Filed: **Aug. 7, 2014**
(51) **LOC (10) Cl.** **21-01**
(52) **U.S. Cl.**
USPC **D21/343; D21/335**
(58) **Field of Classification Search**
USPC D21/300, 324, 333–346, 365, 369, 385, D21/392–397, 148 R, 309, 459, 460; 273/342–346, 335, 236, 237, 238, 242, 273/244.2, 248–263, 274, 275, 277–291, 273/292; D10/46.1, 46; 235/90, 1 B–1 D; 463/13, 1, 46, 47; 16/225; 116/222–225, 325, 326; D3/201, D3/226–232, 303, 243; 224/929, 930, 224/901.6, 901, 907, 908; 220/694, 752, 6; 206/305, 320, 548; 150/154
CPC A63F 1/00; A63F 1/06; A63F 1/062; A63F 1/067; A63F 1/18; A63F 3/0023; A63F 3/00574; A63F 3/00006; A63F 3/00643; A63F 3/00082; A63F 3/00097; A63F 3/00173; A63F 3/00157; A63F 3/00261; A63F 2003/00233; A63F 2003/00946; A63F 2003/00943; A63F 2003/0034; A63F 2003/00583; A63F 2003/00182; A63F 2003/0022; A63F 2003/00255; A63F 2003/00457; A63F 2250/20; A63F 9/0093; A63F 9/24; A63F 11/0051; A63F 2011/0055; A63F 2009/245134
See application file for complete search history.

(56) **References Cited**
U.S. PATENT DOCUMENTS
213,045 A * 3/1879 Greenspecht A63F 1/18 273/148 R
219,280 A * 9/1879 Le Count A63F 1/06 220/345.1

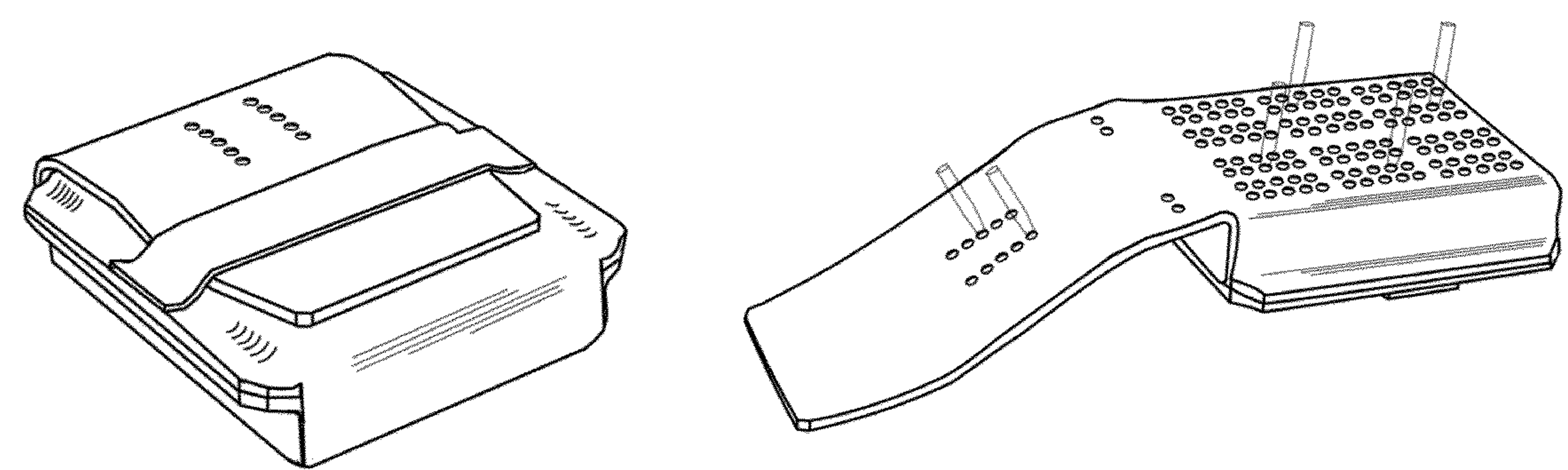
424,126 A * 3/1890 Palmer A63F 1/06 235/90
648,814 A * 5/1900 Trewartha A63F 1/06 235/90
650,070 A * 5/1900 Whitman A63F 1/06 273/148 A
705,776 A * 7/1902 Morrill A63F 1/06 235/90
788,713 A * 5/1905 Ellis A63F 1/06 235/90
847,570 A * 3/1907 Granger A63F 1/06 235/90
1,009,383 A * 11/1911 Coughlin A63F 1/18 235/90
1,222,254 A * 4/1917 Adams B65D 85/1045 206/237
1,320,798 A * 11/1919 Salambo A63F 1/06 235/90
1,386,996 A * 8/1921 Edwards A63B 71/0672 206/38
1,843,457 A * 2/1932 Morse A63B 71/0672 235/90
1,993,322 A * 3/1935 Ford A63F 1/06 235/90
D95,922 S * 6/1935 O'Brien D10/46.1
D95,923 S * 6/1935 O'Brien D10/46.1

(Continued)
Primary Examiner — Susan Moon Lee
(74) *Attorney, Agent, or Firm* — Koziol IP PLLC

(57) **CLAIM**
The ornamental design for a cribbage board, as shown and described.

DESCRIPTION
FIG. 1 is a top perspective view of a cribbage board showing my new design.
FIG. 2 is a bottom perspective view thereof.
FIG. 3 is a top view thereof.
FIG. 4 is a bottom view thereof.
FIG. 5 is a right side elevational view thereof.
FIG. 6 is a left side elevational view thereof.
FIG. 7 is a front side elevational view thereof.
FIG. 8 is a back side elevational view thereof.
FIG. 9 is a top perspective view of an alternative configuration thereof, showing the cribbage board in an operational position; and,
FIG. 10 is a bottom perspective view of the alternative configuration thereof.
The broken lines shown in FIGS. 9 and 10 are included for purposes of illustrating the environment in which the cribbage board is used, and form no part of the claimed design.

1 Claim, 5 Drawing Sheets



(56)

References Cited

U.S. PATENT DOCUMENTS

2,017,479	A *	10/1935	Terkelsen	A63F 3/00176	235/90
2,038,026	A *	4/1936	Daley	A63F 1/06	235/90
2,108,527	A *	2/1938	Cudmore	A63F 1/06	220/6
2,288,671	A *	7/1942	Batchelder	A63F 1/06	217/57
D134,740	S *	1/1943	O'Sullivan	D10/46.1	
2,323,371	A *	7/1943	Brown	A63F 1/18	235/123
2,335,685	A *	11/1943	Mayer	A24F 15/12	206/259
D138,400	S *	8/1944	Roh	D10/46.1	
2,366,488	A *	1/1945	Calkins	A63F 1/18	217/8
2,384,040	A *	9/1945	Miller	A63F 1/18	235/90
D142,516	S *	10/1945	Eaton et al.	D10/46.1	
D142,533	S *	10/1945	Smith, Sr.	D10/46.1	
2,432,167	A *	12/1947	Manuel	A63F 1/18	235/90
2,491,262	A *	12/1949	Gunther	A63F 1/18	235/90
D159,014	S *	6/1950	Storey	D10/46.1	
2,531,589	A *	11/1950	Swift	A63F 1/18	235/90
2,536,188	A *	1/1951	Kulakusky	A63F 1/18	235/90
2,560,583	A *	7/1951	Lupton	A63B 71/0672	235/124
D165,651	S *	1/1952	Horn	D10/46.1	
2,582,874	A *	1/1952	Loeb	A63F 3/00574	235/90
2,594,943	A *	4/1952	Logan	A63F 1/18	235/90
2,646,221	A *	7/1953	Landers	A63F 1/06	235/90
D170,120	S *	8/1953	Isserstedt	D10/46.1	
3,051,490	A *	8/1962	Newman	A63F 71/0672	235/90
D205,228	S *	7/1966	Felt et al.	D10/46.1	
D223,714	S *	5/1972	Kester	273/282.1	
D238,957	S *	2/1976	Johnson	273/148 R	
D247,825	S *	5/1978	Christianson	D10/46.1	
4,332,386	A *	6/1982	Townsend	A63F 1/18	235/90
4,477,719	A *	10/1984	Watterson	A63F 9/0093	235/90
5,090,106	A *	2/1992	Fink	A63F 11/00	29/525
5,388,547	A *	2/1995	Lehr	A63F 11/00	116/222
D358,557	S *	5/1995	Waterman	D10/46.1	
5,490,675	A *	2/1996	Persidsky	A63F 3/00694	273/239
5,491,324	A *	2/1996	Vanderpool	A63F 1/06	116/325
5,952,637	A *	9/1999	Strunk	A63F 3/0023	16/225
D563,596	S *	3/2008	Neias	D27/189	
D596,961	S *	7/2009	Moran	D10/46.1	
8,677,924	B1 *	3/2014	Brown	A63F 11/0051	116/325
2007/0145681	A1 *	6/2007	Terbush	A63F 3/0415	273/148 R

* cited by examiner

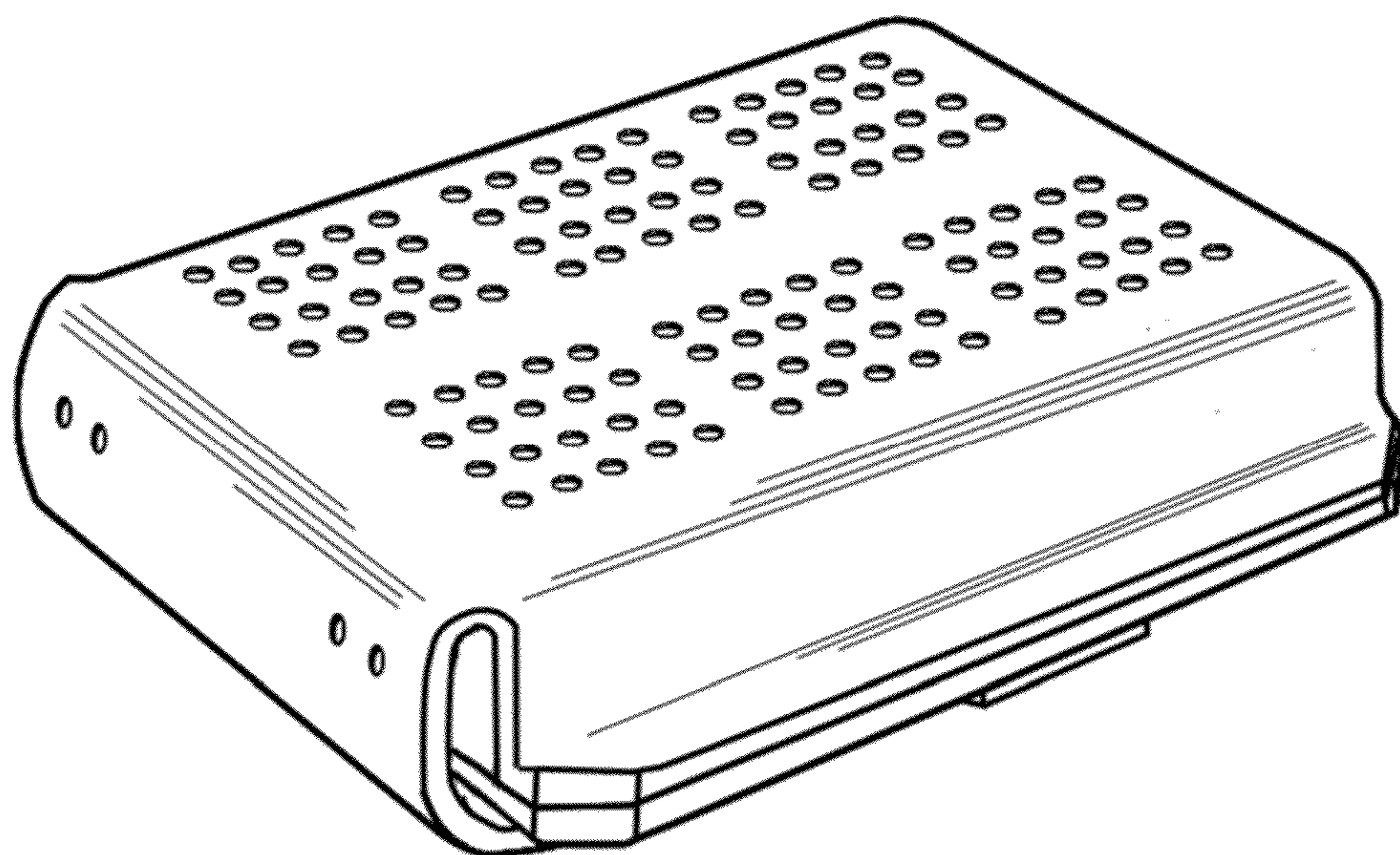


FIG. 1

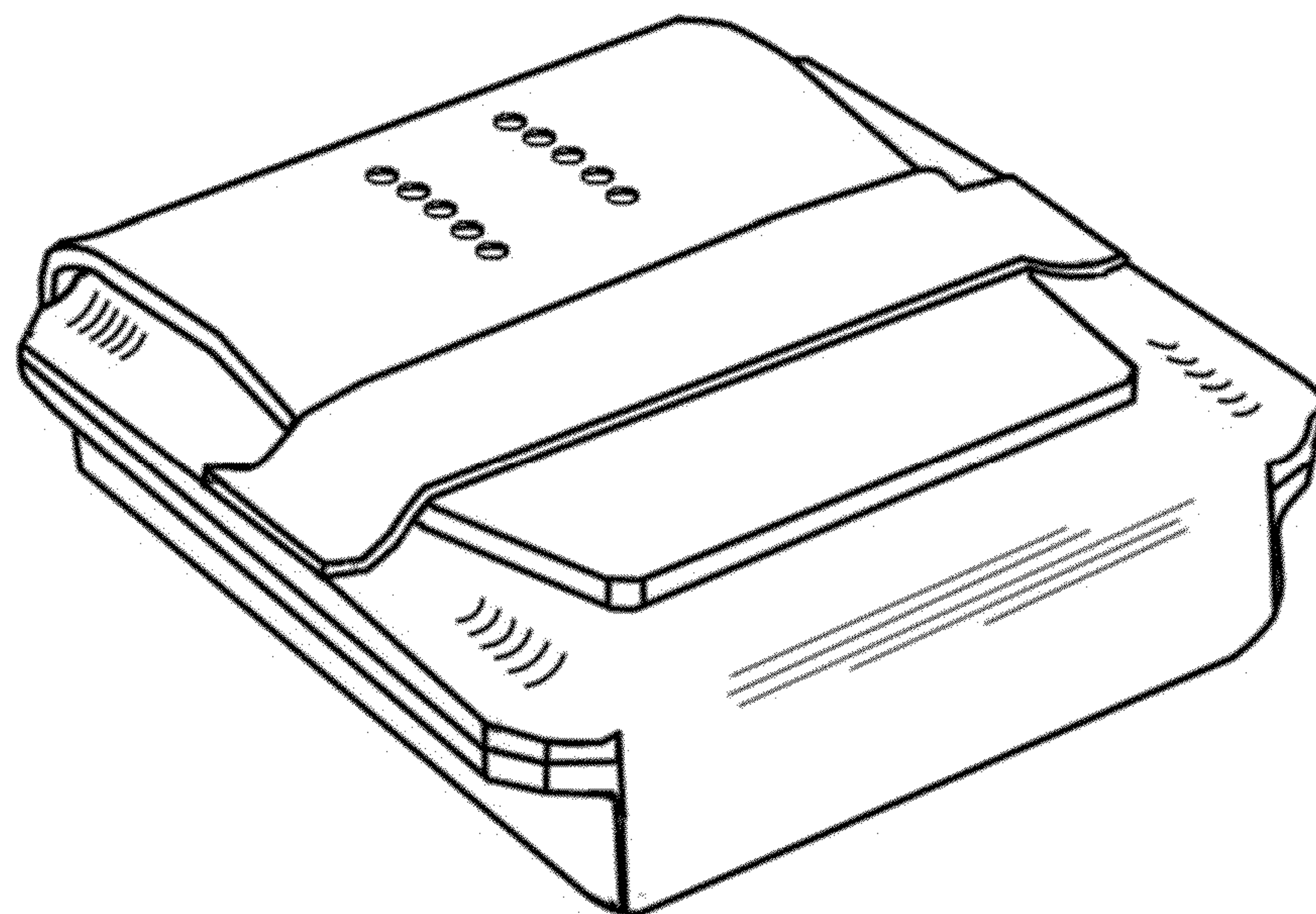


FIG. 2

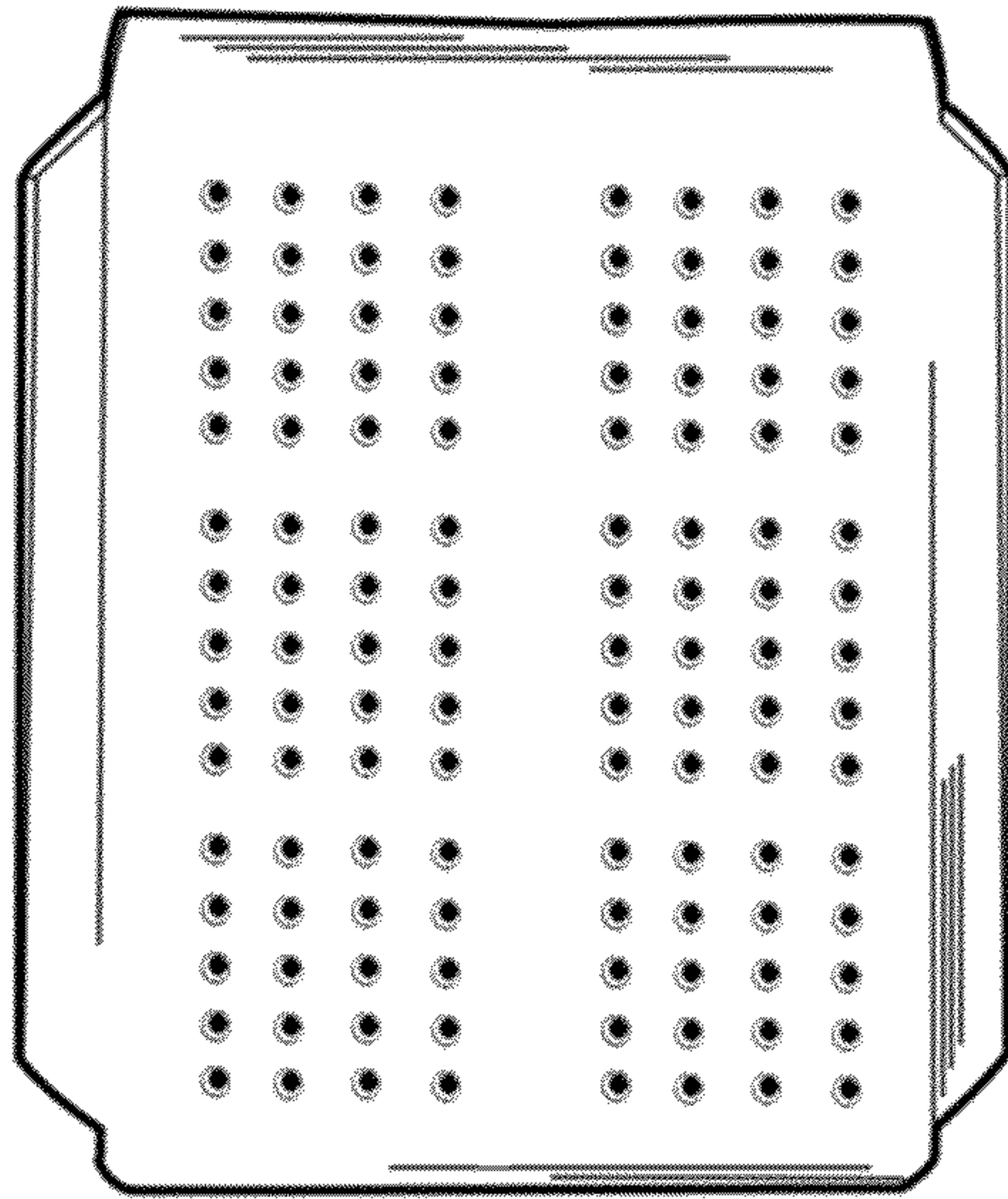


FIG. 3

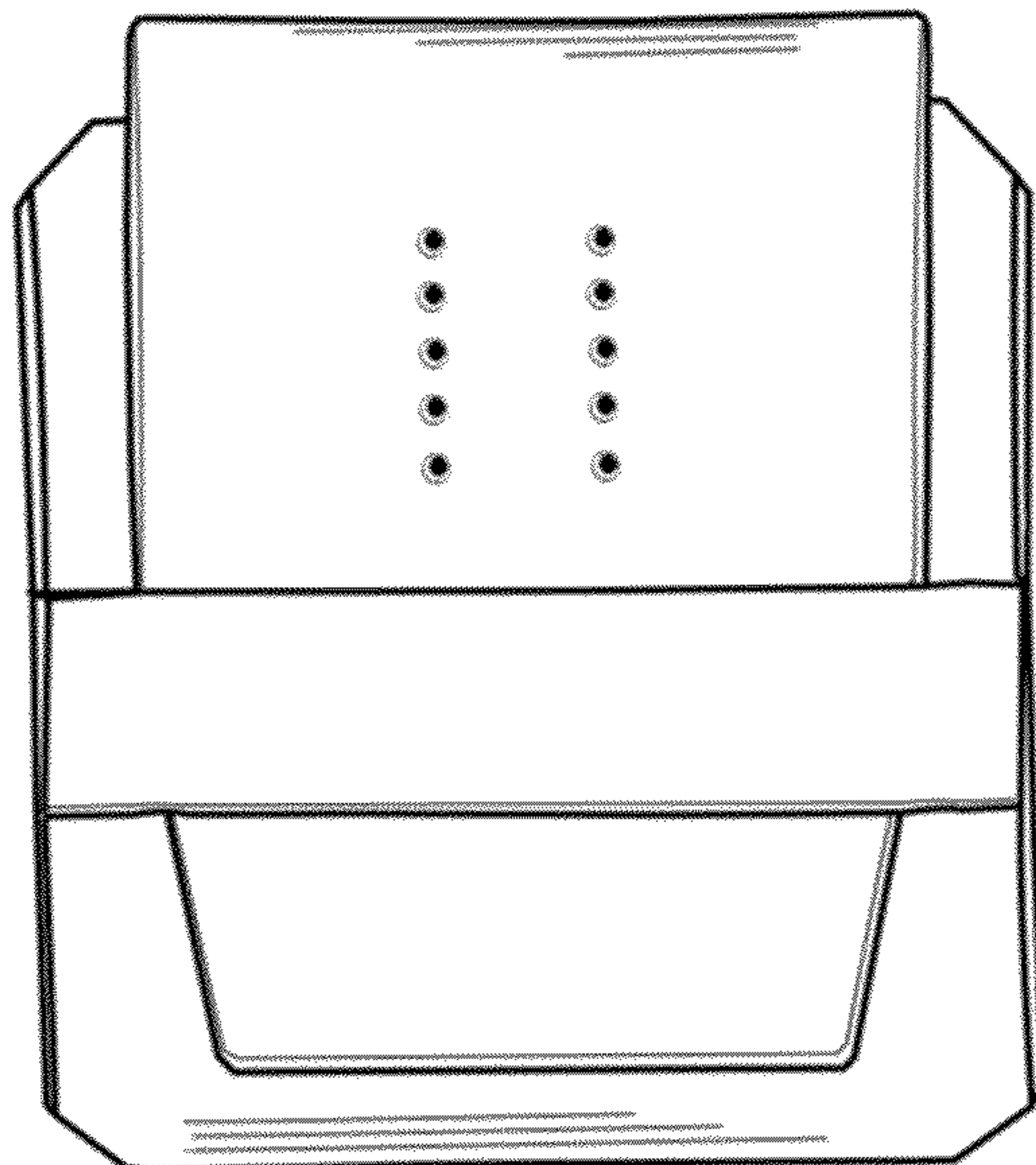


FIG. 4

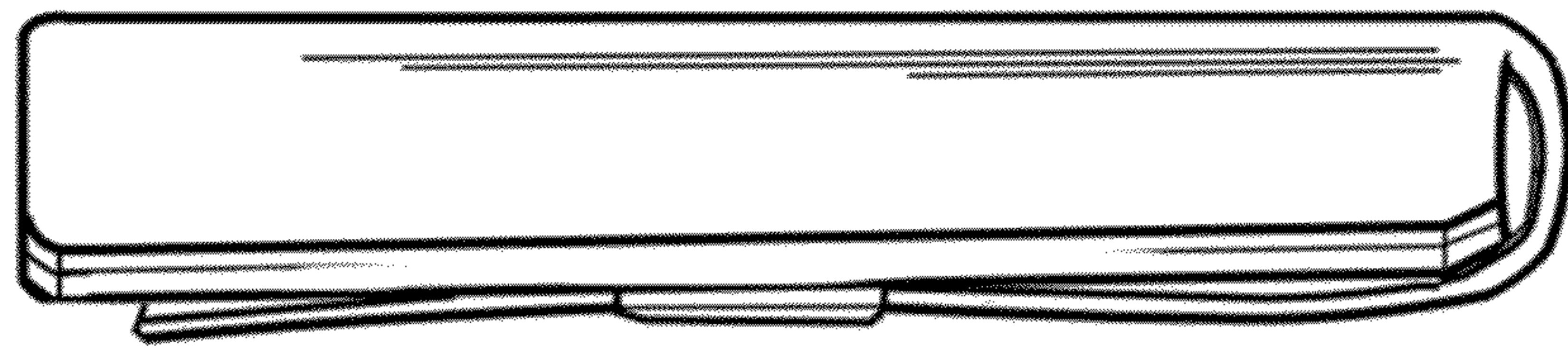


FIG. 5

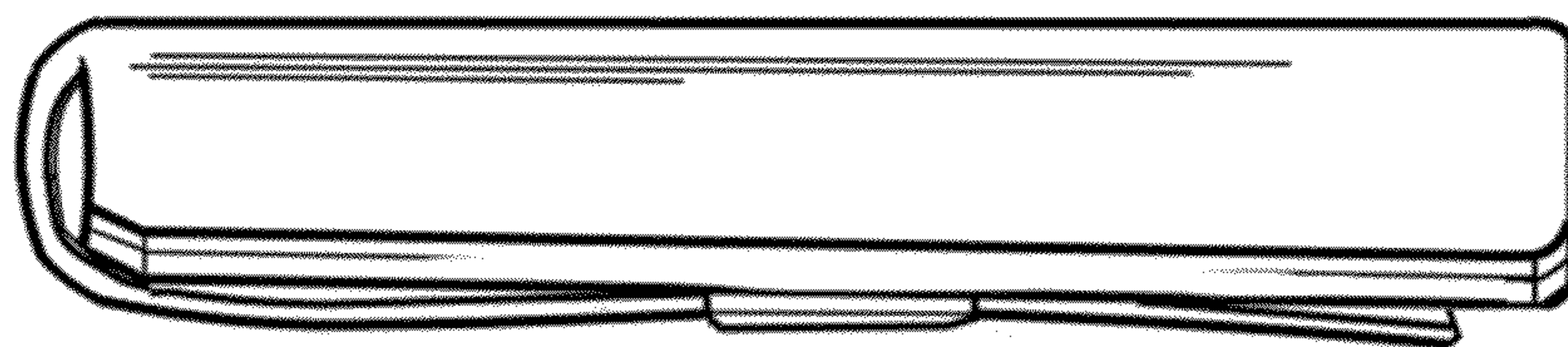


FIG. 6

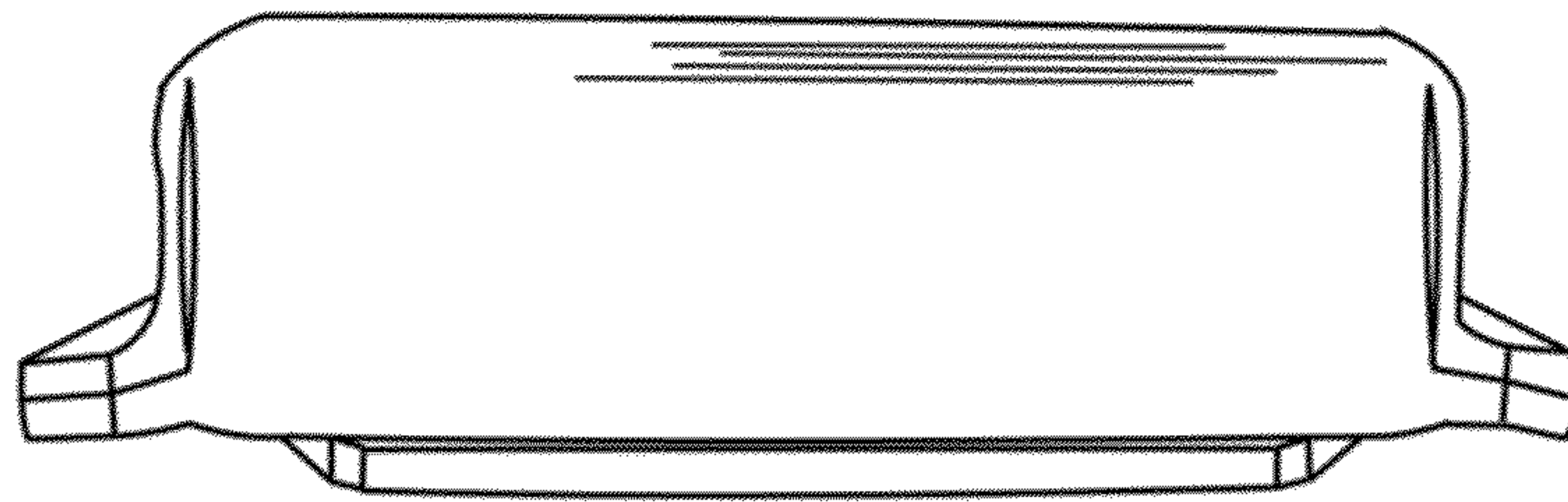


FIG. 7



FIG. 8

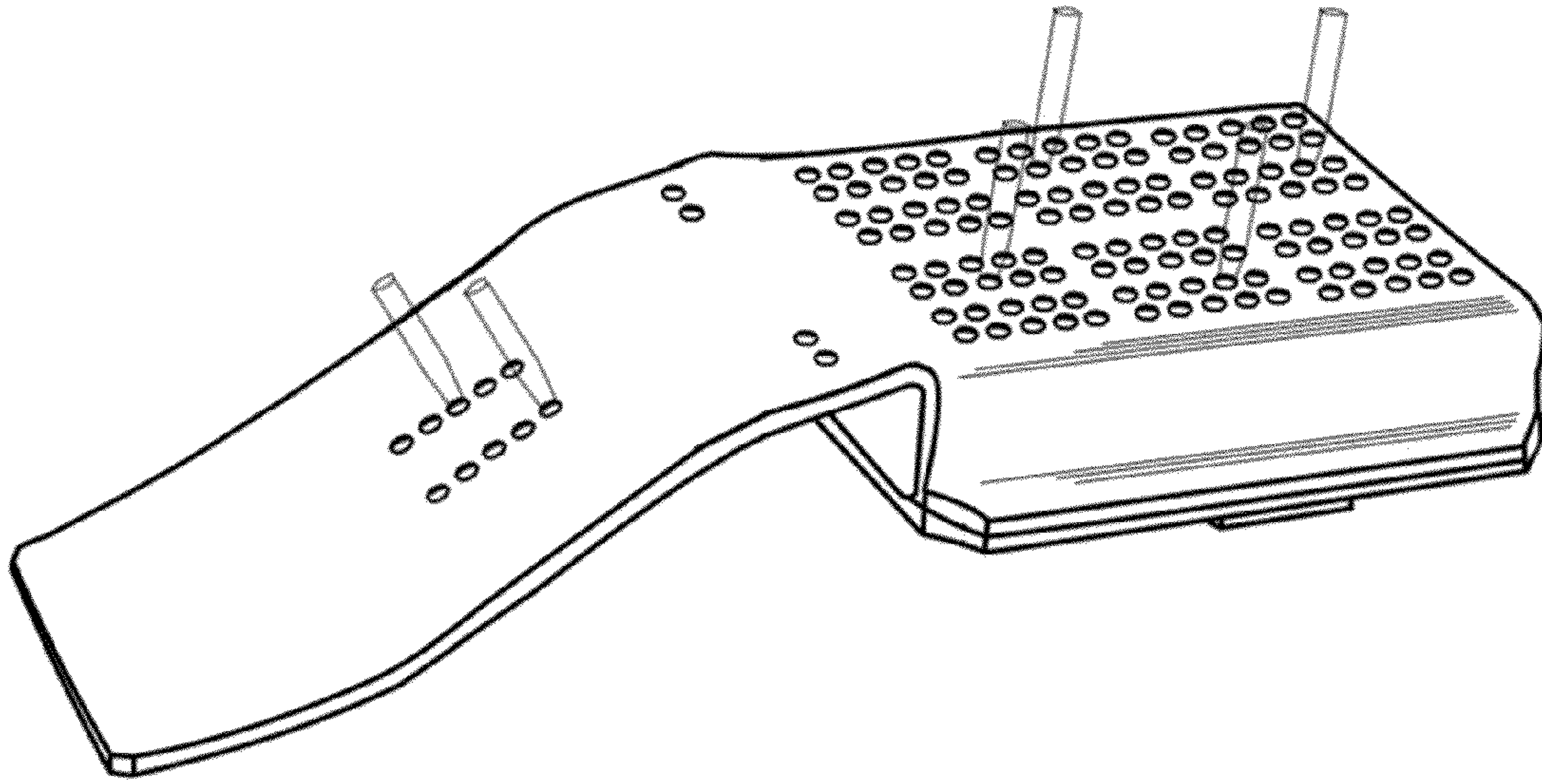


FIG. 9

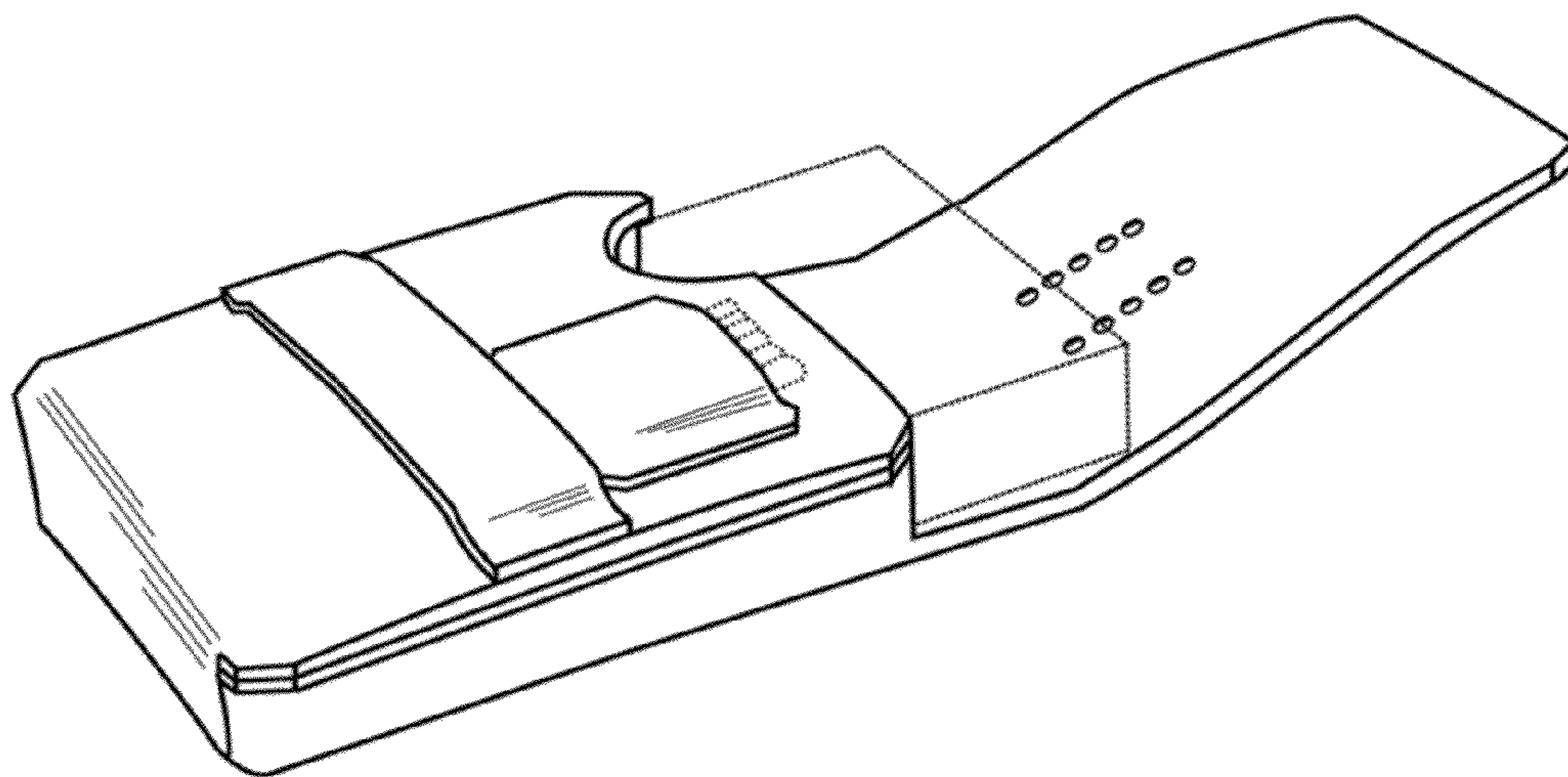


FIG. 10